

US00D521793S

(12) **United States Design Patent**
Lau

(10) **Patent No.:** **US D521,793 S**
(45) **Date of Patent:** **** May 30, 2006**

(54) **DISC STORAGE DEVICE**
(75) Inventor: **Wai-Ming Lau**, Hong Kong SAR (CN)
(73) Assignee: **Sunhing Millennium Ltd.**, Kowloon (HK)
(**) Term: **14 Years**

(21) Appl. No.: **29/215,985**
(22) Filed: **Oct. 28, 2004**

(51) **LOC (8) Cl.** **06-04**
(52) **U.S. Cl.** **D6/630**
(58) **Field of Classification Search** D6/407,
D6/629, 630, 466, 468, 464, 465; 312/901,
312/9.9, 9.47, 9.48, 9.51, 9.52, 9.64
See application file for complete search history.

(56) **References Cited**
U.S. PATENT DOCUMENTS

3,877,134 A * 4/1975 Shanahan 29/417
4,153,164 A * 5/1979 Hofmeister et al. 211/41.18
4,228,902 A * 10/1980 Schulte 211/41.18
D441,246 S * 5/2001 Chow et al. D6/630

D450,971 S * 11/2001 Lee D6/630
D476,187 S * 6/2003 Lau et al. D6/630
D478,764 S * 8/2003 Lau et al. D6/630
D497,763 S * 11/2004 Kwok D6/630

* cited by examiner

Primary Examiner—Cathron C. Brooks
(74) *Attorney, Agent, or Firm*—Buchanan Ingersoll PC

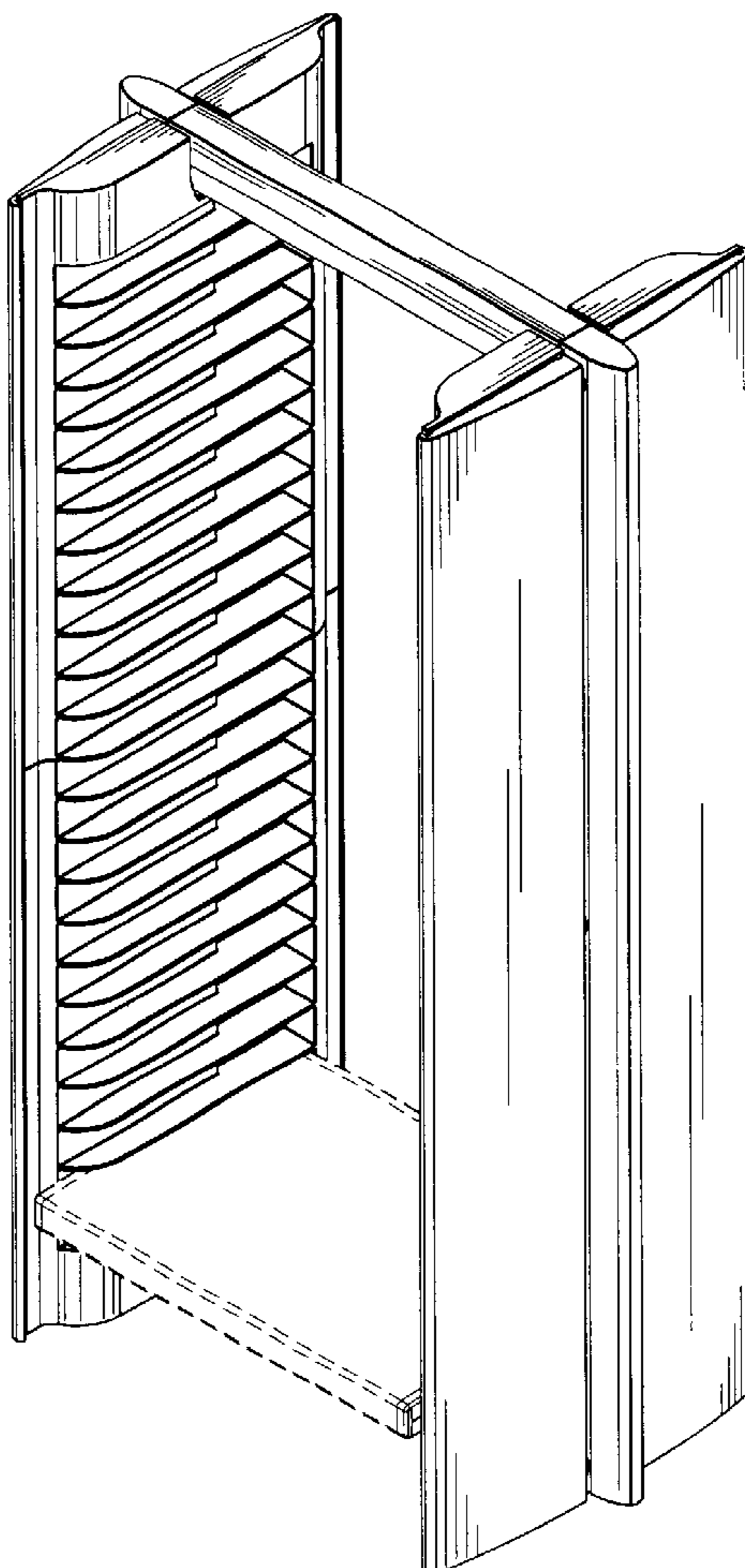
(57) **CLAIM**

The ornamental design for a “disc storage device,” as shown and described.

DESCRIPTION

FIG. 1 is a front view of a “disc storage device” showing my design;
FIG. 2 is a rear view thereof;
FIG. 3 is a right side view thereof, the left side view being a mirror image;
FIG. 4 is a top view thereof, the bottom view being a mirror image; and;
FIG. 5 is a perspective view thereof.
The broken lines are for illustrative purposes only and form no part of the claimed design.

1 Claim, 2 Drawing Sheets



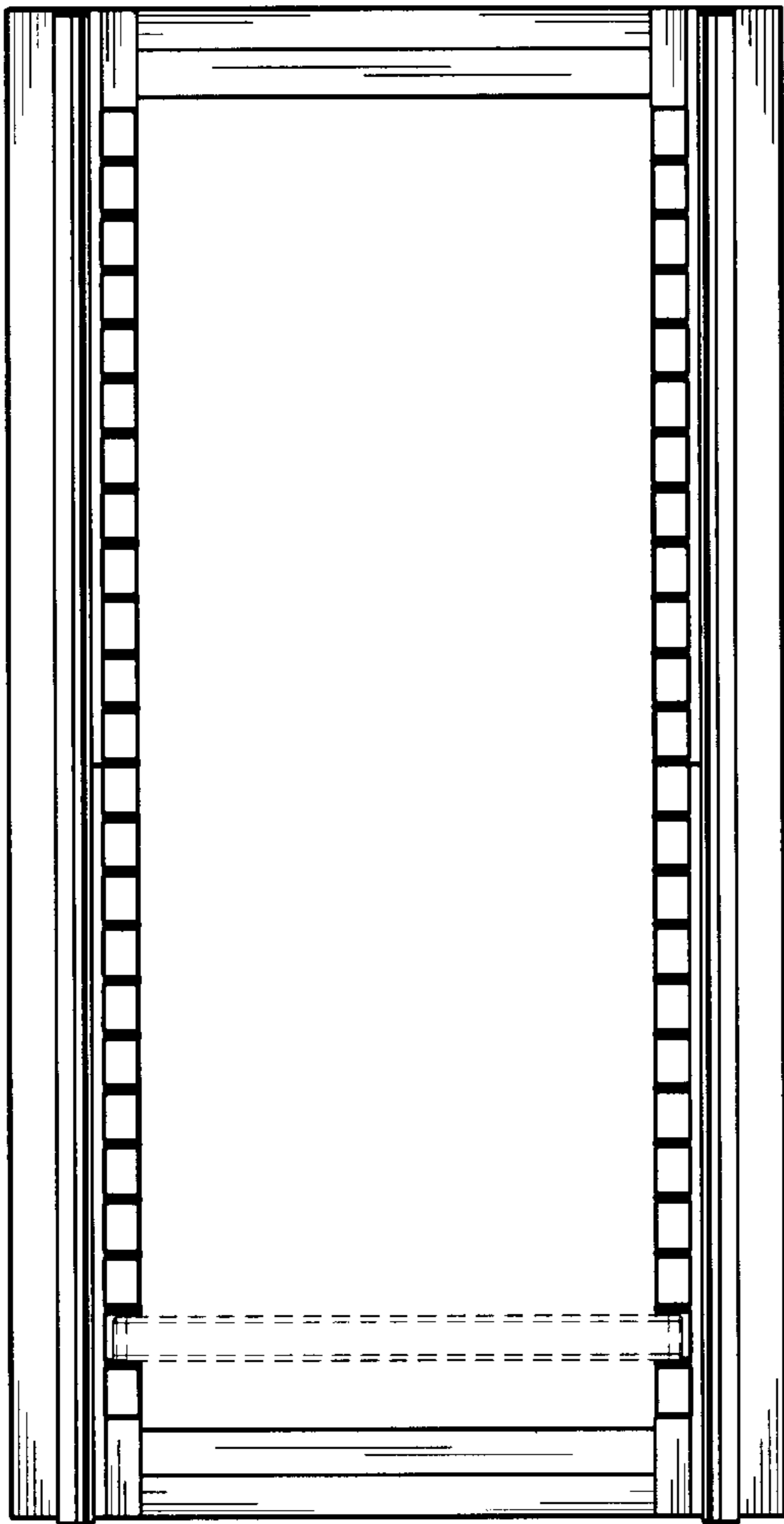


Fig. 1

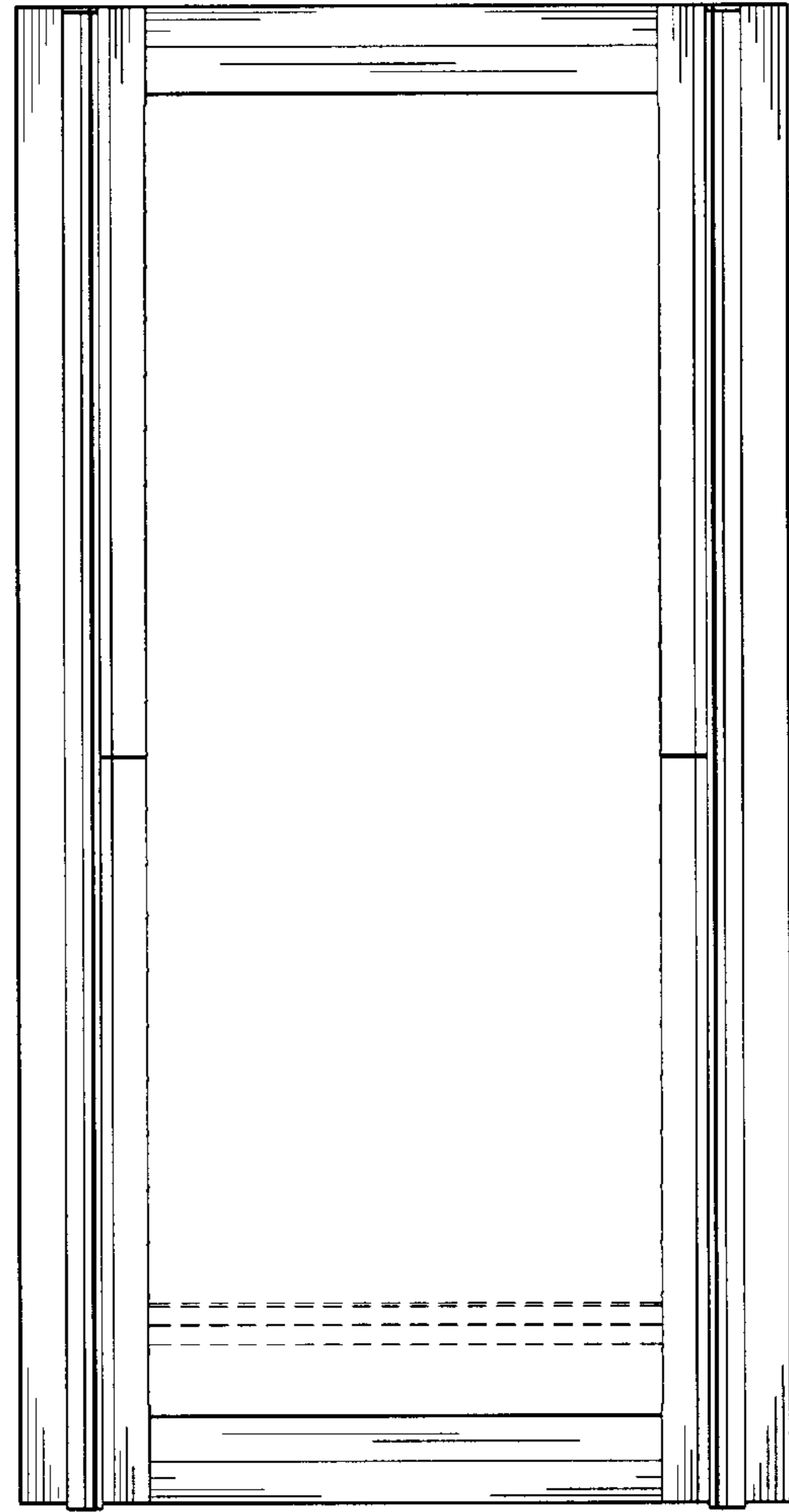


Fig. 2

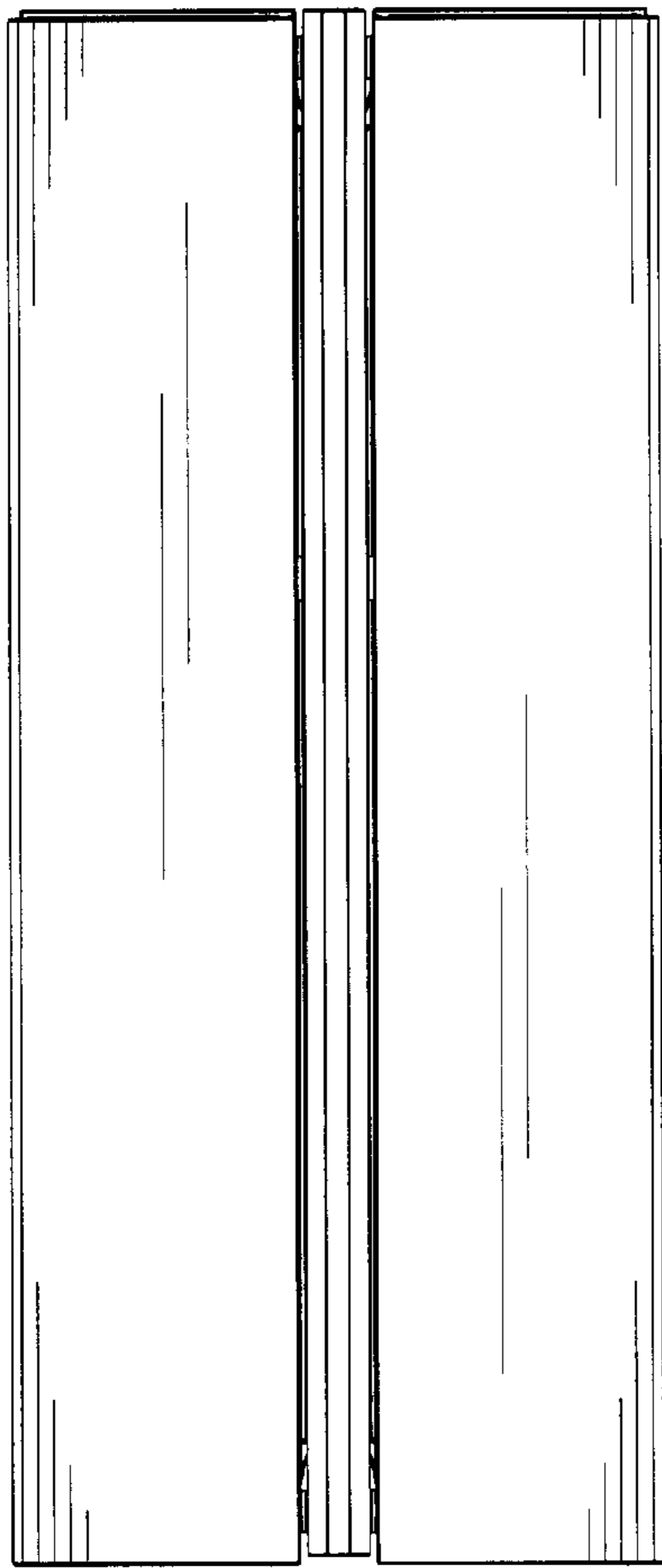


Fig. 3

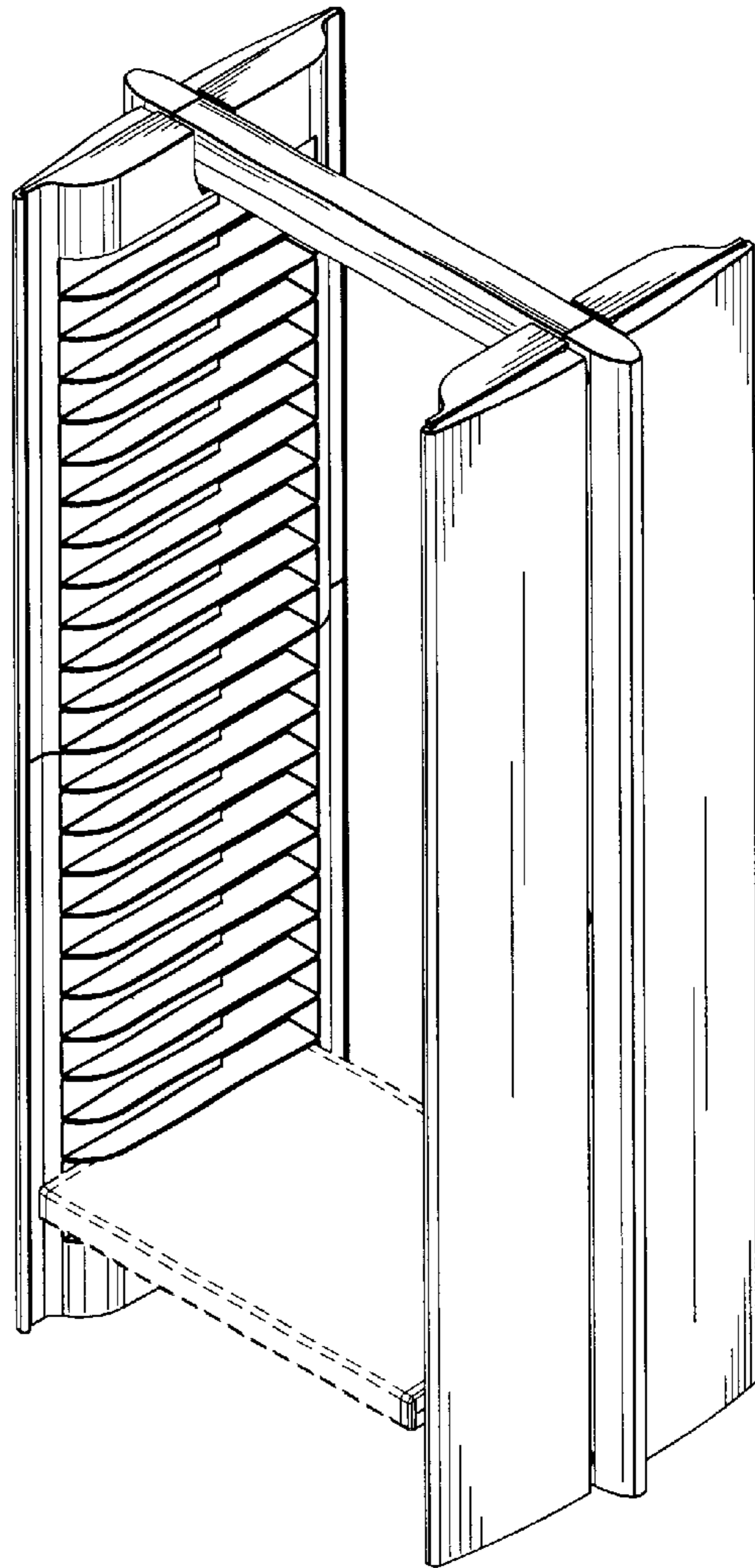


Fig. 5

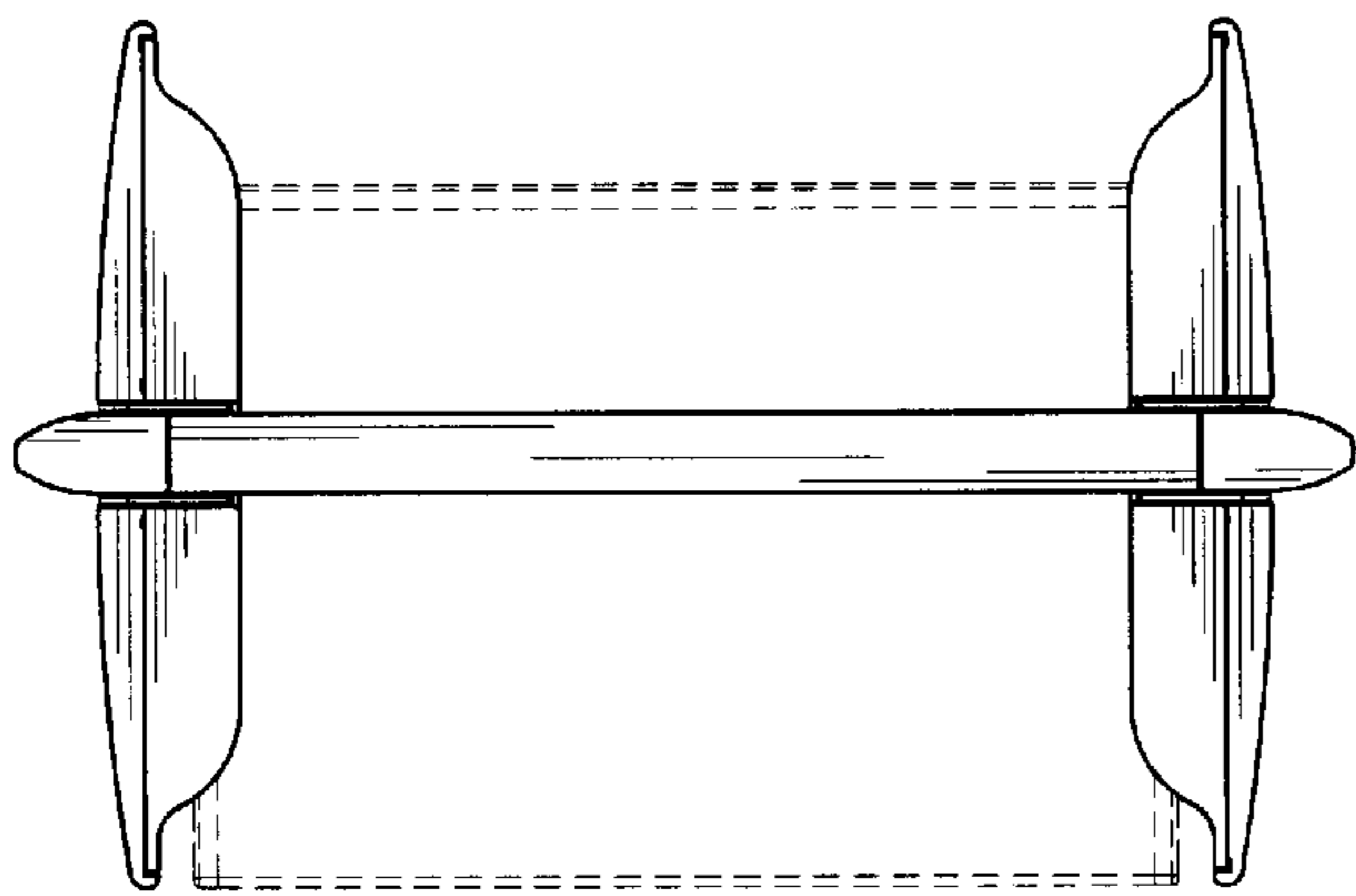


Fig. 4