



US00D521791S

(12) **United States Design Patent**
Spence

(10) **Patent No.:** **US D521,791 S**

(45) **Date of Patent:** **** May 30, 2006**

(54) **WINDOW BLIND TILT ACTUATOR**

(75) Inventor: **Steven W. Spence**, Butler, PA (US)

(73) Assignee: **OEM, Shades, Inc.**, Ford City, PA (US)

(**) Term: **14 Years**

(21) Appl. No.: **29/227,327**

(22) Filed: **Apr. 11, 2005**

(51) **LOC (8) Cl.** **06-10**

(52) **U.S. Cl.** **D6/580**

(58) **Field of Classification Search** D6/577,
D6/580; D8/302, 330, 339, 341, 343, 354,
D8/356, 376, 377, 400; 160/34, 107, 167,
160/176.1, 201; 52/786.11

See application file for complete search history.

(56) **References Cited**

U.S. PATENT DOCUMENTS

D265,965 S	*	8/1982	Davis et al.	D8/302
4,768,576 A		9/1988	Anderson		
D380,370 S	*	7/1997	Carlson et al.	D8/343
D415,406 S	*	10/1999	Weinerman et al.	D8/331
D418,038 S	*	12/1999	Scott	D8/330

D456,688 S * 5/2002 Polowinczak et al. D8/302

D457,372 S 5/2002 Sun et al.

D465,142 S * 11/2002 Weinerman et al. D8/302

D495,237 S * 8/2004 Tozer D8/343

D502,380 S * 3/2005 Misner et al. D8/302

* cited by examiner

Primary Examiner—Holly Baynham

Assistant Examiner—Cynthia M. Chin

(74) *Attorney, Agent, or Firm*—Frank Allan Wolfe

(57) **CLAIM**

The ornamental design for a window blind tilt actuator, as shown and described.

DESCRIPTION

FIG. 1 is a perspective view of a window blind tilt actuator embodying the new design;

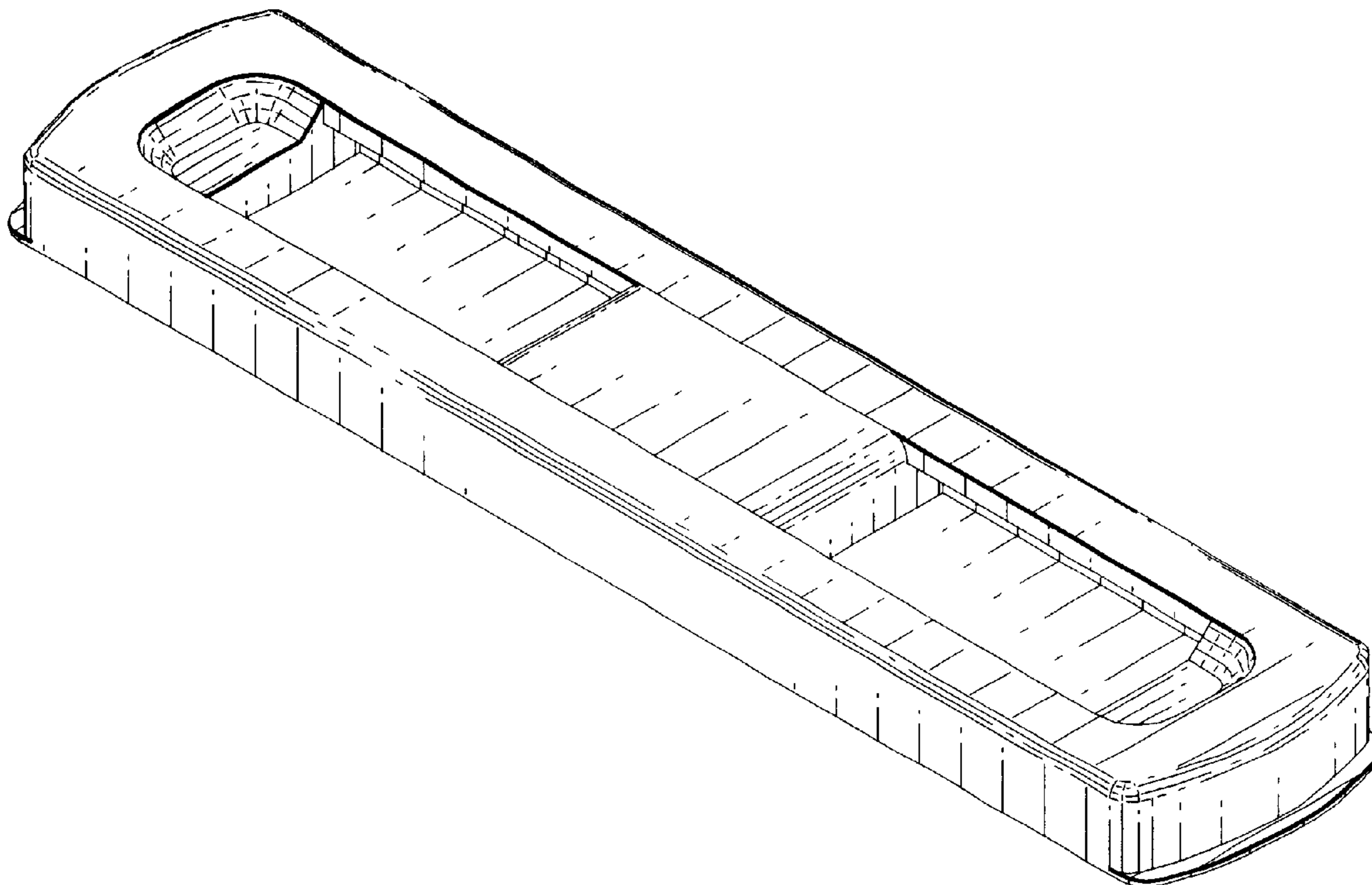
FIG. 2 is a front elevational view thereof;

FIG. 3 is an elevational view of the left side of FIG. 2, the right side thereof being a mirror image of the left side shown; and,

FIG. 4 is an end elevational view thereof, the end opposite being a mirror image of the end shown.

The rear view forms no part of the claimed design.

1 Claim, 1 Drawing Sheet



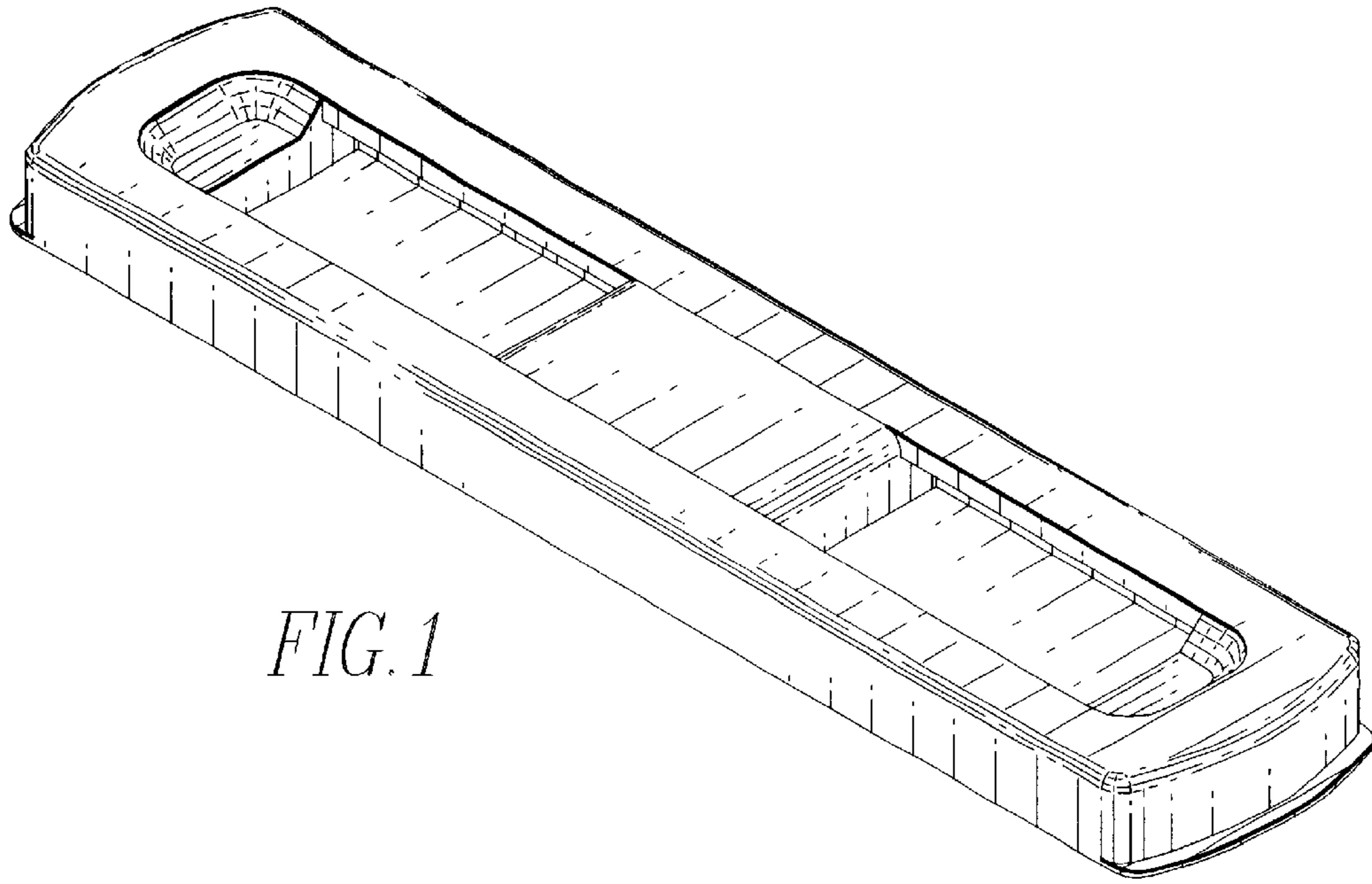


FIG. 1

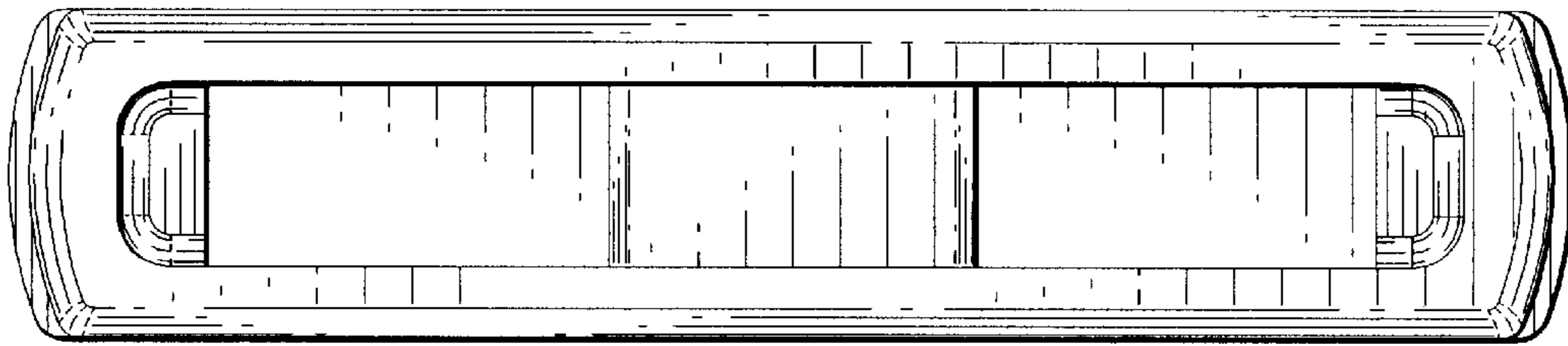


FIG. 2



FIG. 3



FIG. 4