



US00D521790S

(12) **United States Design Patent**
Hohn

(10) **Patent No.:** **US D521,790 S**

(45) **Date of Patent:** **** May 30, 2006**

(54) **TROPHY SHELF**

D431,950 S * 10/2000 Richardson D6/552

(76) Inventor: **Leo Joseph Hohn**, #5 Shannon Close,
Olds, Alberta (CA), T4H 1C1

* cited by examiner

(**) Term: **14 Years**

Primary Examiner—Brian N Vinson
(74) *Attorney, Agent, or Firm*—Growling Lafleur
Henderson LLP; Robert M. Hendry

(21) Appl. No.: **29/207,547**

(22) Filed: **Jun. 16, 2004**

(57) **CLAIM**

(51) **LOC (8) Cl.** **06-04**

The ornamental design for a trophy shelf, as shown and described.

(52) **U.S. Cl.** **D6/570**

(58) **Field of Classification Search** D6/553,
D6/567, 572, 574, 570; 108/28-29; 248/235,
248/309.1; 211/13.1, 42, 71.01, 86.01, 88.01,
211/88.03, 90.01, 90.03, 126.1, 133.5, 134,
211/153, 182

DESCRIPTION

See application file for complete search history.

FIG. 1 is a front elevation view of the trophy shelf of our new design;

FIG. 2 is a front perspective view thereof;

FIG. 3 is a top plan view thereof;

FIG. 4 is a left side elevation view thereof; and,

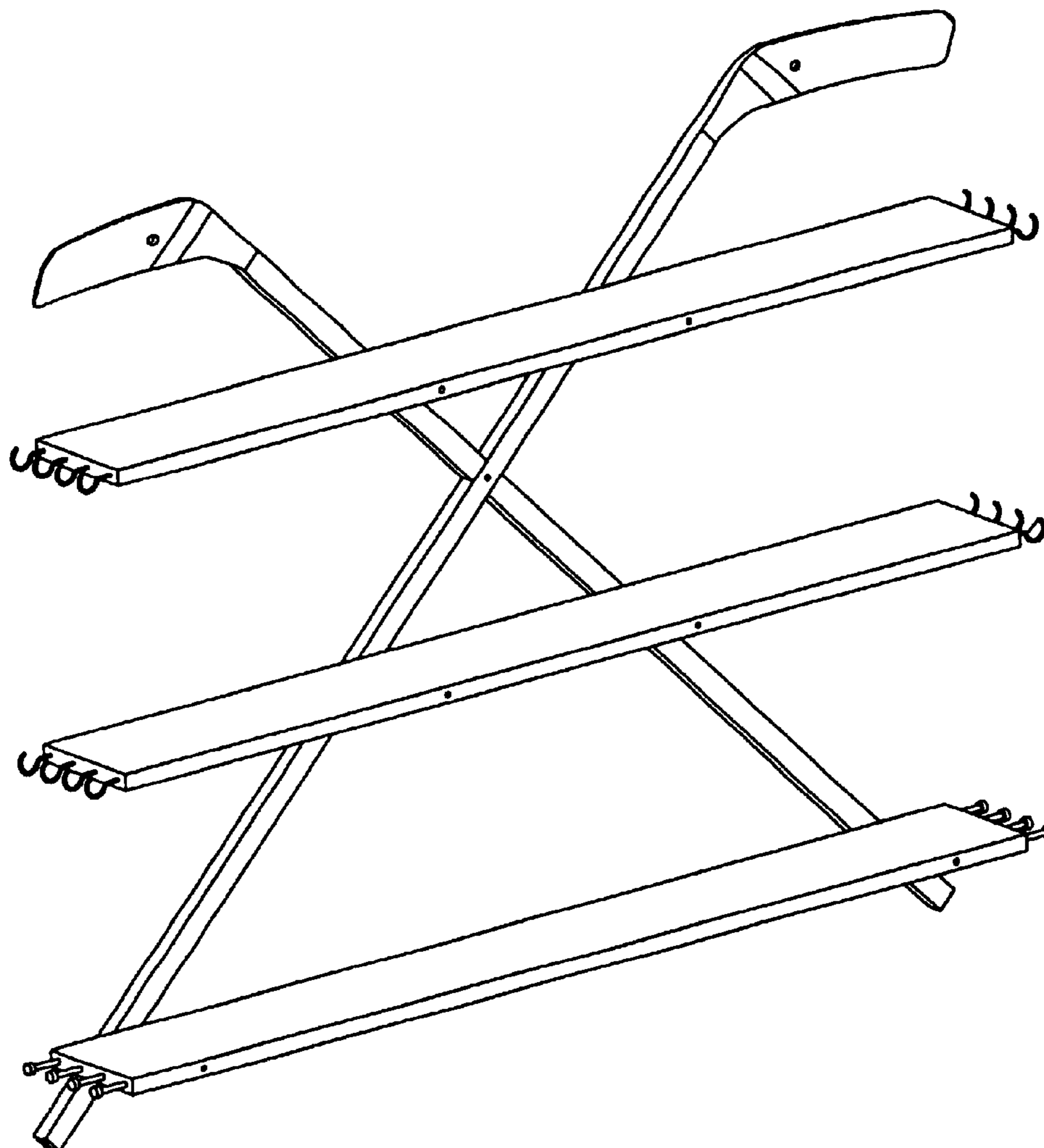
FIG. 5 is a rear perspective view thereof.

(56) **References Cited**

U.S. PATENT DOCUMENTS

D375,646 S * 11/1996 Stewart D6/574

1 Claim, 5 Drawing Sheets



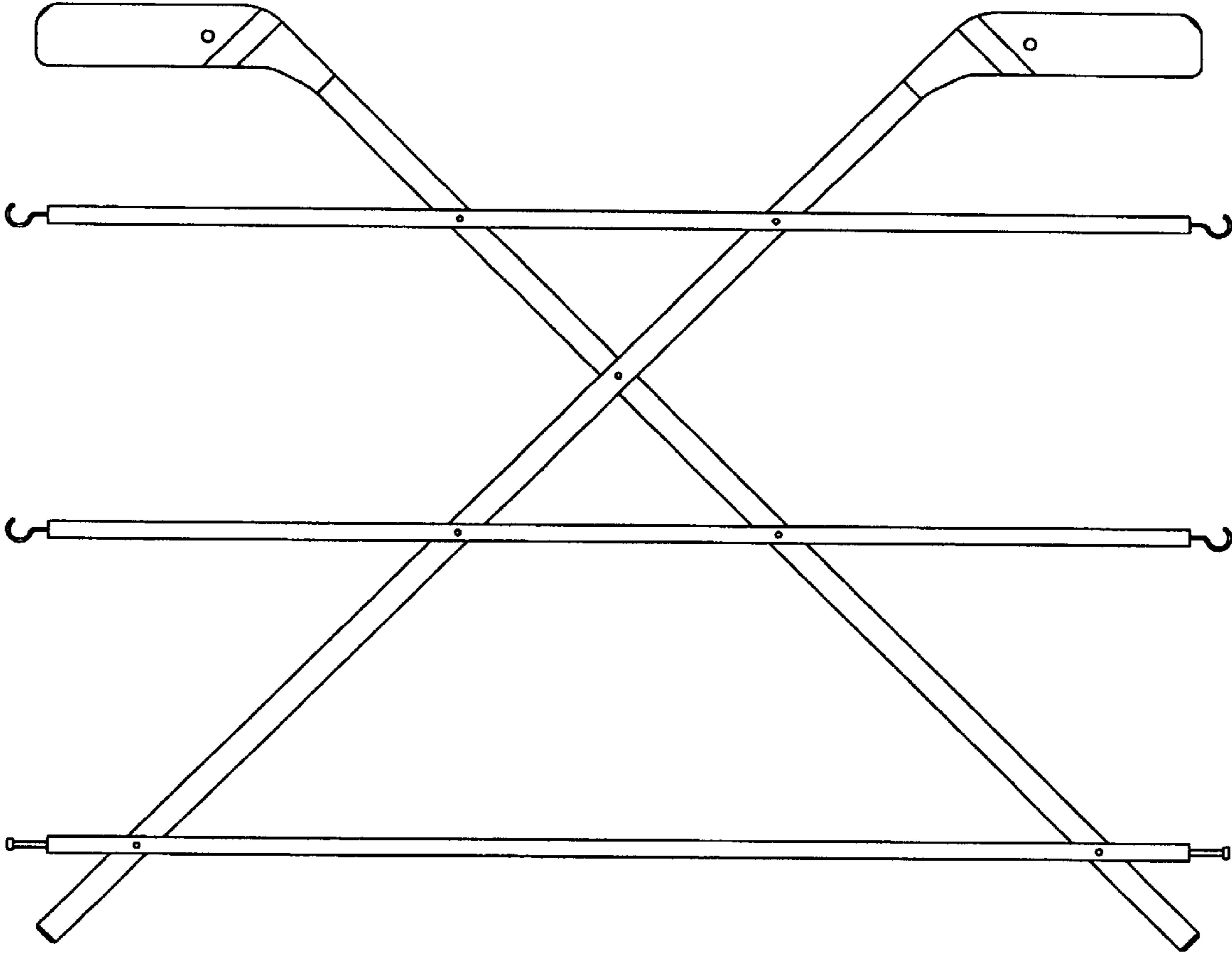


Figure 1

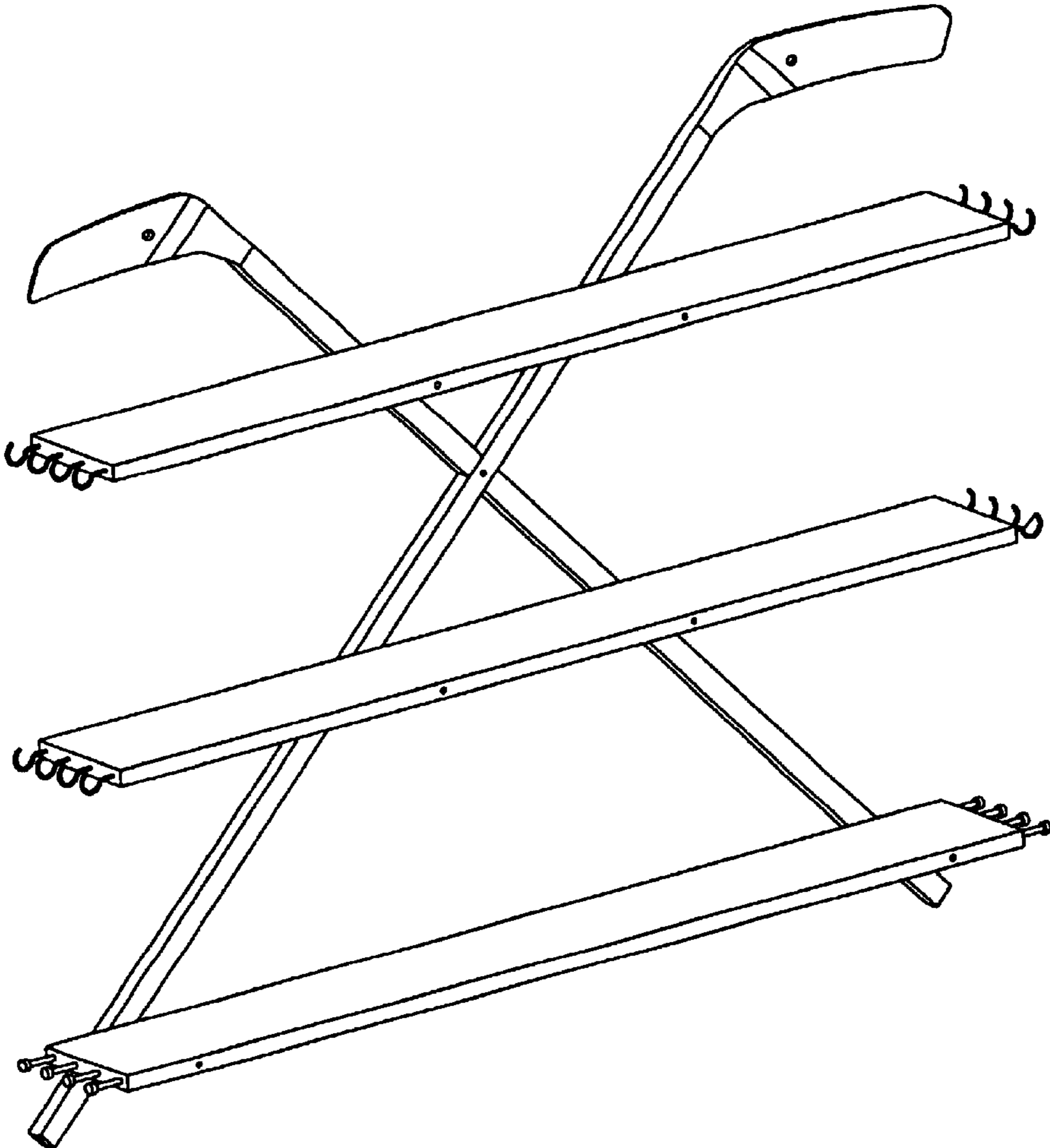


Figure 2

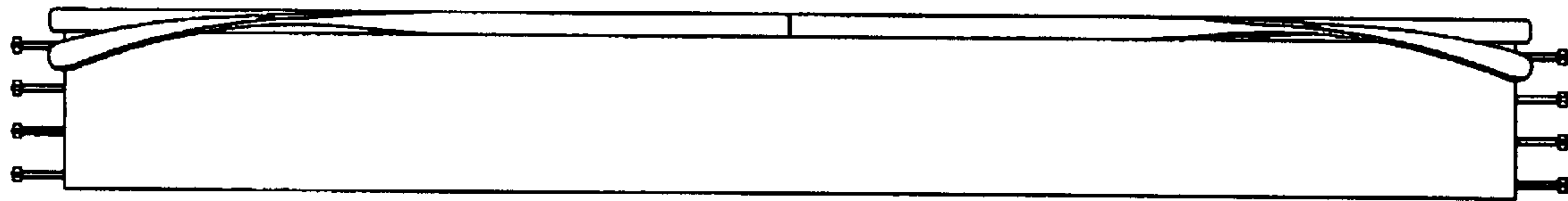


Figure 3

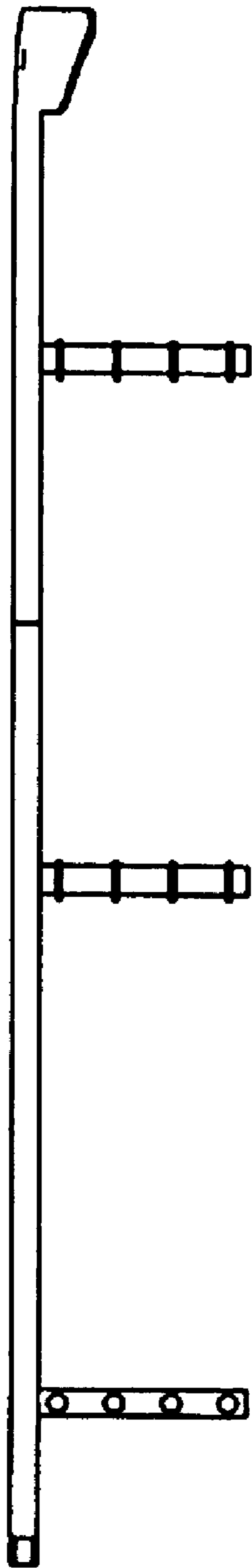


Figure 4

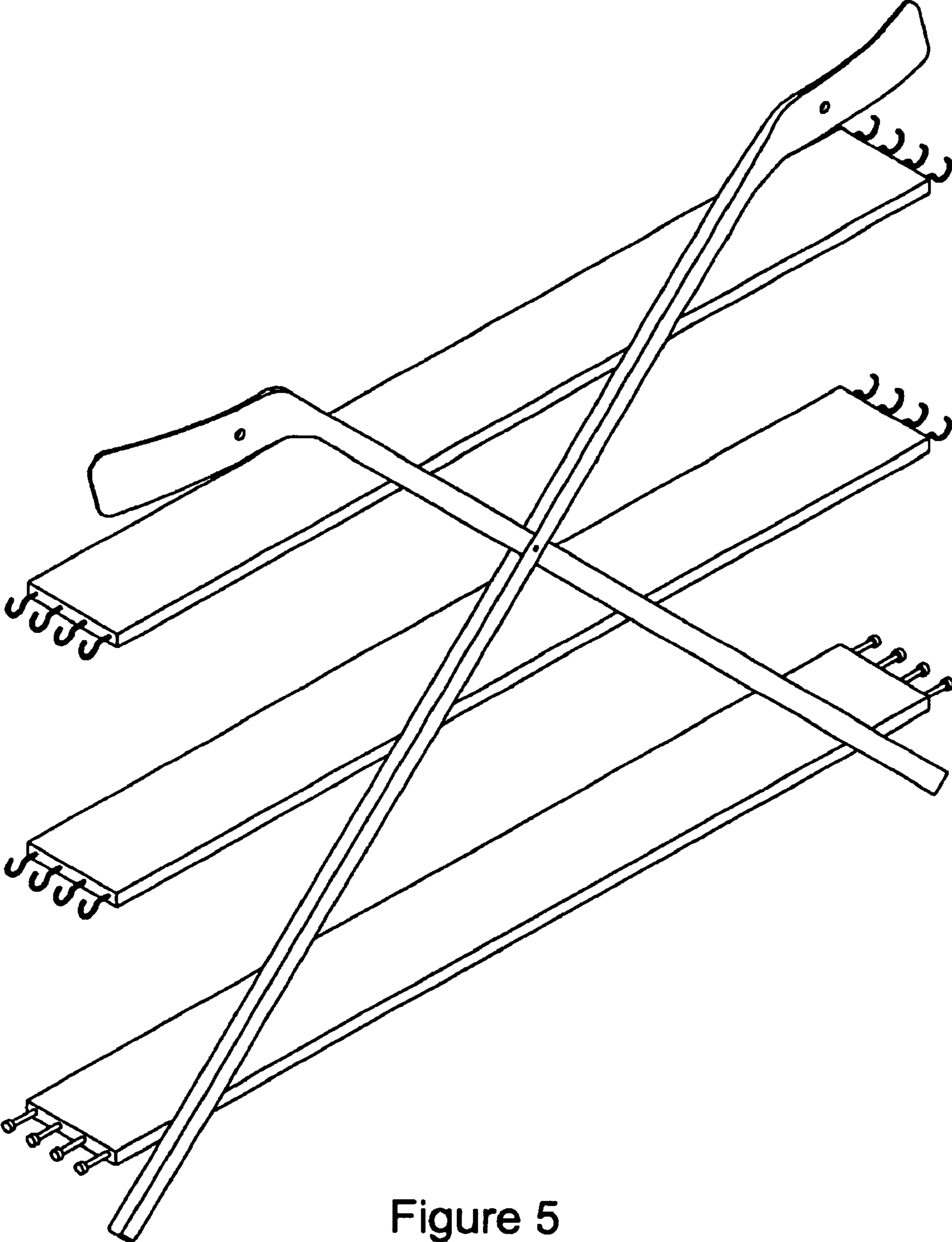


Figure 5