



US00D521789S

(12) **United States Design Patent**
Berberet

(10) **Patent No.:** **US D521,789 S**

(45) **Date of Patent:** **** May 30, 2006**

(54) **ARC SUPPORT**

D483,093 S 12/2003 Bates et al.

(75) Inventor: **Suzanne M. Berberet**, Sheboygan, WI
(US)

OTHER PUBLICATIONS

Harden catalog, Harden Accessories A, p. 77.
Harden Catalog, Harden Accessories A, p. 78.
Kohler catalog, Revival Suite.
Andre Collection, Vogue Collection, Contemporary Bath-
room Accessories.

(73) Assignee: **Kohler Co.**, Kohler, WI (US)

(**) Term: **14 Years**

* cited by examiner

(21) Appl. No.: **29/210,116**

(22) Filed: **Jul. 27, 2004**

Primary Examiner—Brian N Vinson

(51) **LOC (8) Cl.** **06-04**

(74) *Attorney, Agent, or Firm*—Quarles & Brady LLP

(52) **U.S. Cl.** **D6/546**

(57) **CLAIM**

(58) **Field of Classification Search** D6/546–550,
D6/518–523; D8/300, 303, 315, 321, 349,
D8/354, 363, 373, 380; 108/28–29; 248/175,
248/176.1, 251, 302, 309.1; 16/110.1, 412,
16/415; 242/570, 590, 595–598; 211/13.1,
211/16, 60.1, 100, 86.01, 87.01, 88.01, 88.04,
211/105.1, 105.2, 123, 182, 181.1

The ornamental design for an arc support, as shown and
described.

See application file for complete search history.

DESCRIPTION

(56) **References Cited**

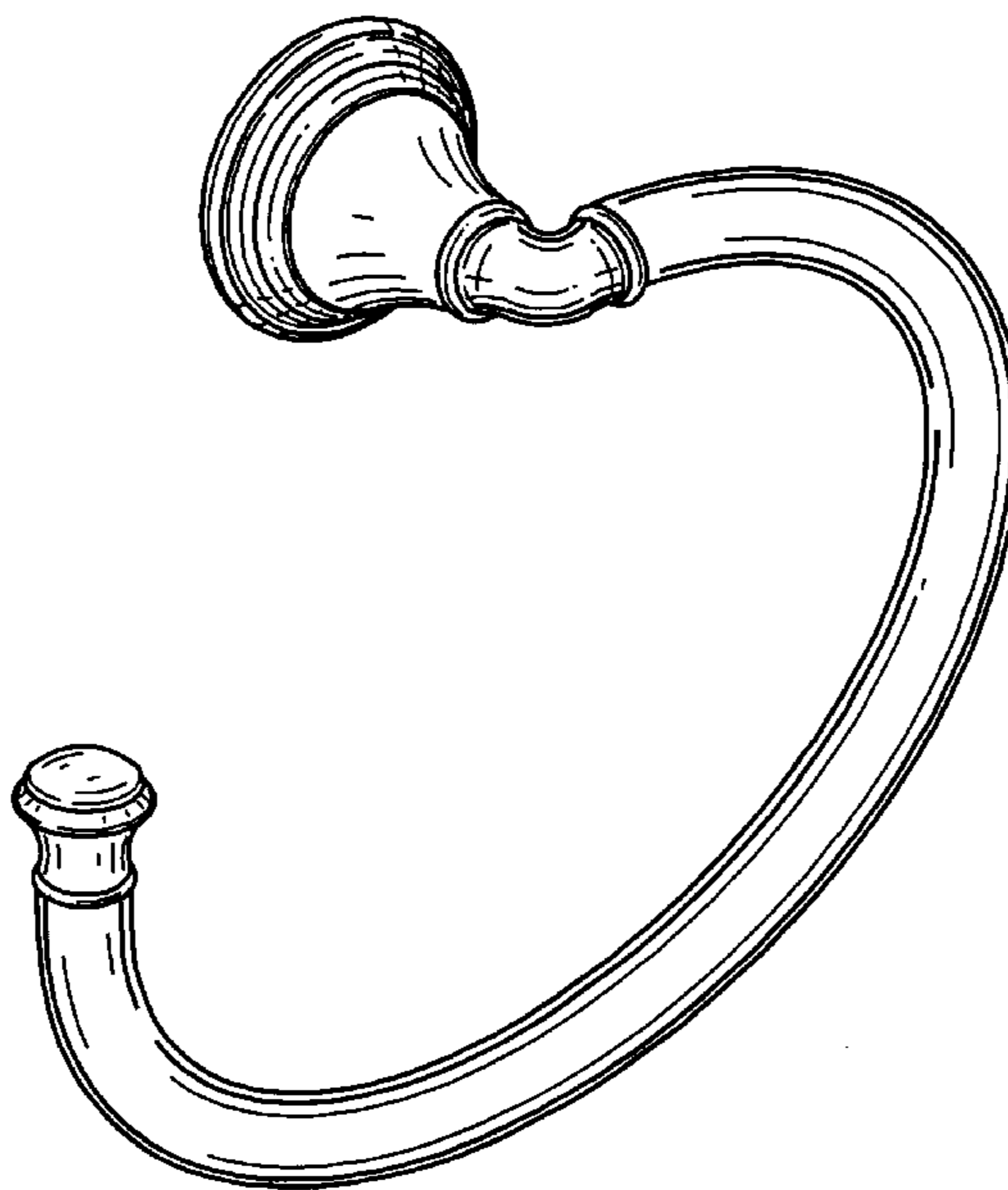
U.S. PATENT DOCUMENTS

2,632,605	A	*	3/1953	Lee	242/597.3
D218,331	S	*	8/1970	Ulf	D6/523
4,836,462	A	*	6/1989	Bruss	242/598.2
D424,353	S	*	5/2000	Duggan	D6/550
D450,503	S	*	11/2001	Gottwald	D6/523
D455,587	S	*	4/2002	Ou-Young	D6/523
D465,365	S	*	11/2002	Moore	D6/523
D468,401	S		1/2003	Bates et al.		
D471,964	S		3/2003	Bates et al.		
6,554,222	B1	*	4/2003	Lindow, Sr.	242/598.5
D477,167	S	*	7/2003	Hoernig	D6/523
D477,481	S	*	7/2003	Ouano	D6/523
D477,731	S	*	7/2003	Hoernig	D6/523
D482,758	S		11/2003	Bates et al.		

In a preferred embodiment, the nature of this product is as
a wall mountable accessory ring for a towel.
FIG. 1 is a left, top, front perspective view of an arc support
according to my new design;
FIG. 2 is a front elevational view thereof;
FIG. 3 is a left side elevational view thereof;
FIG. 4 is a right side elevational view thereof;
FIG. 5 is a top plan view thereof;
FIG. 6 is a bottom plan view thereof;
FIG. 7 is a rear elevational view thereof; and,
FIG. 8 is a front elevational view of an arc support of another
embodiment of my new design, the perspective, left side,
right side, top, bottom and rear views of this embodiment
being mirror images of the respective views shown in
FIGS. 1 and 2–7.

The broken line representations of mounting structures in
FIG. 7 are for the purpose of illustration only, and form no
part of the claimed design.

1 Claim, 4 Drawing Sheets



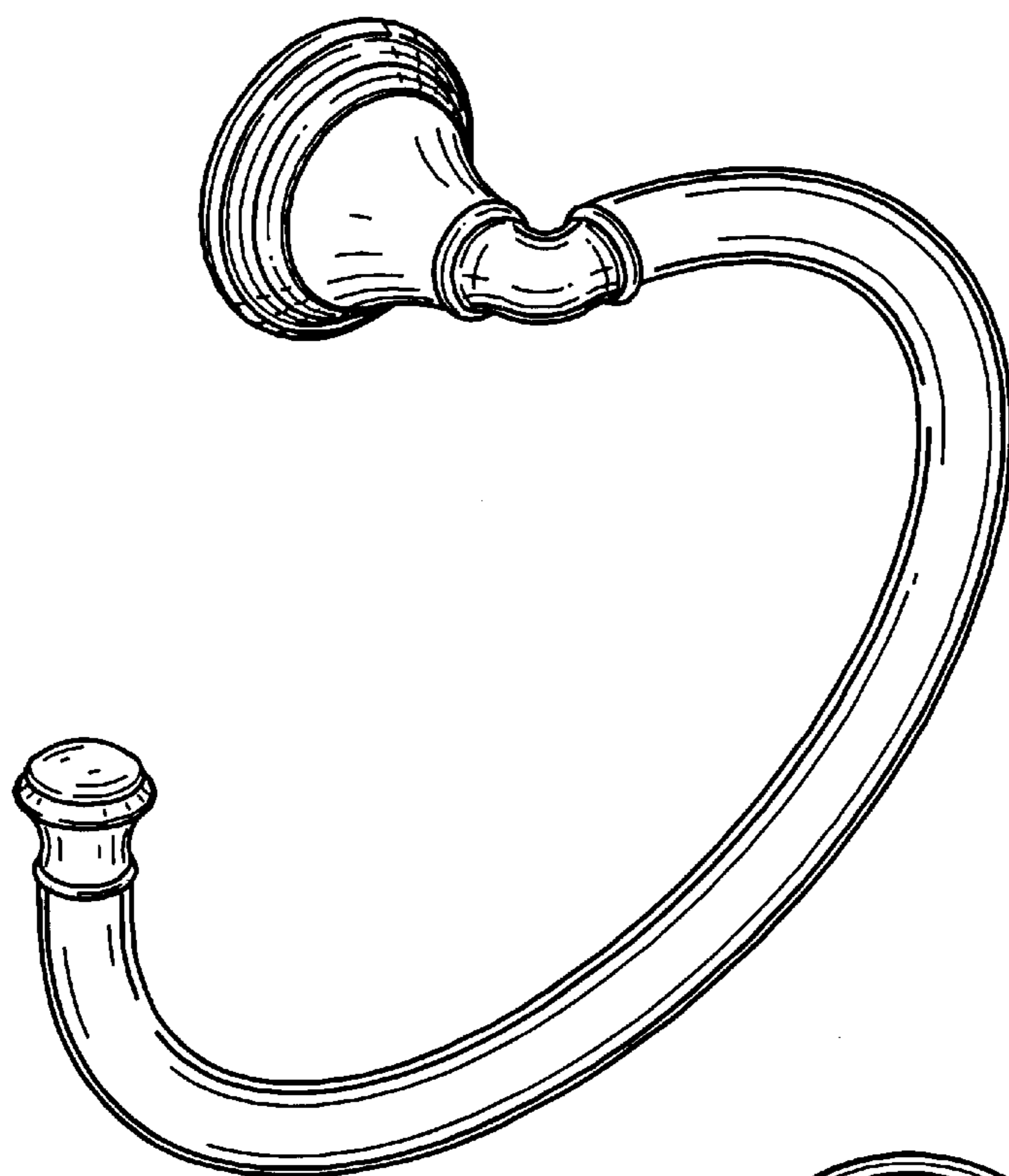


FIG. 1

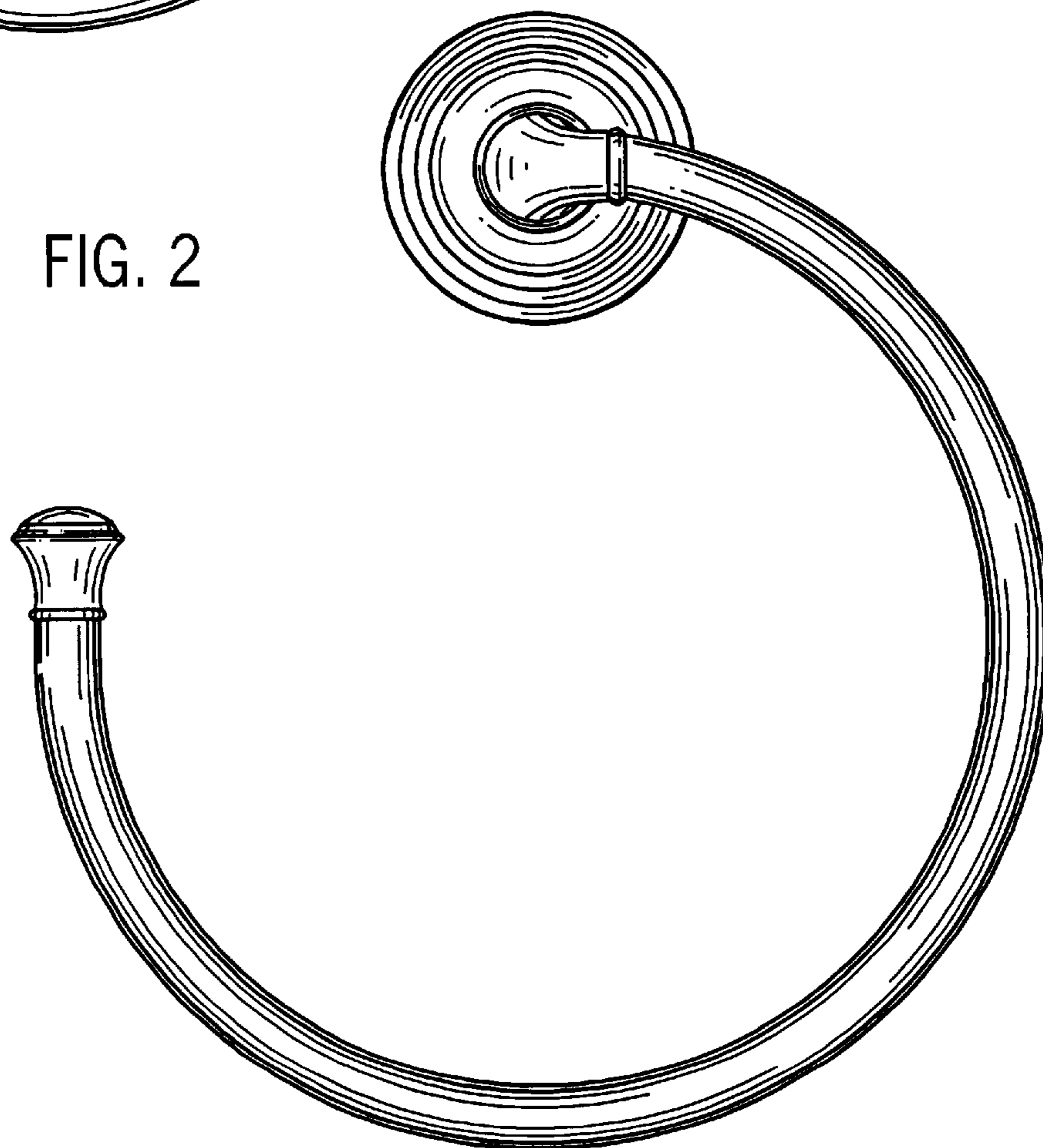


FIG. 2

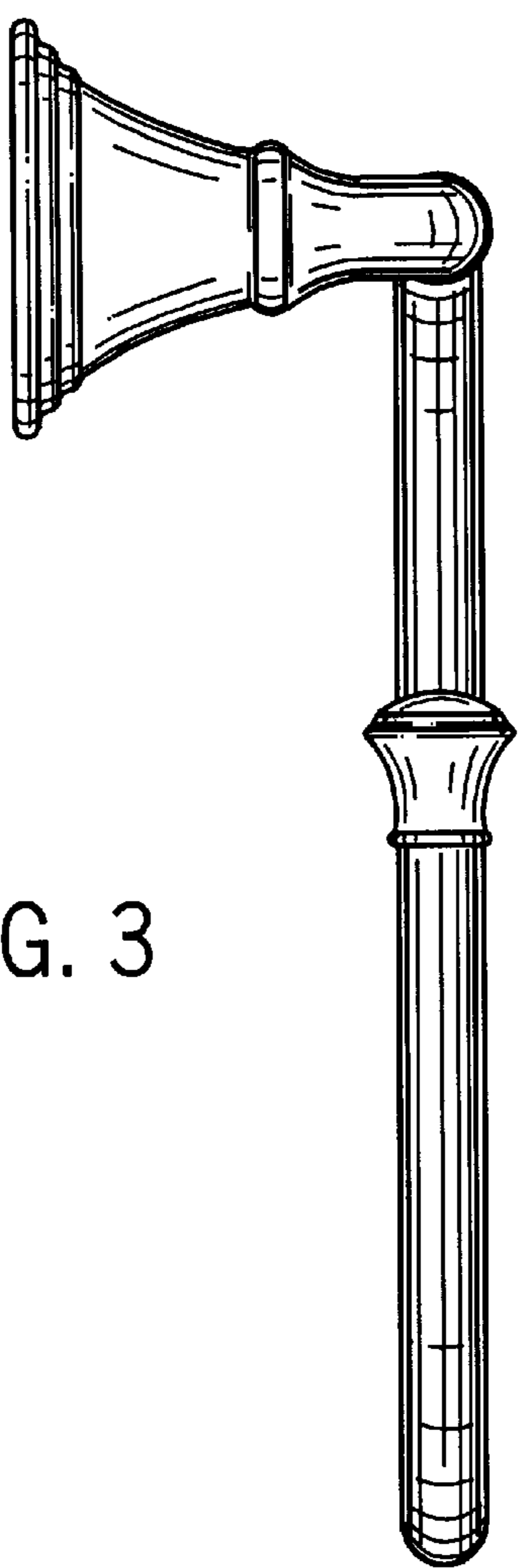


FIG. 3

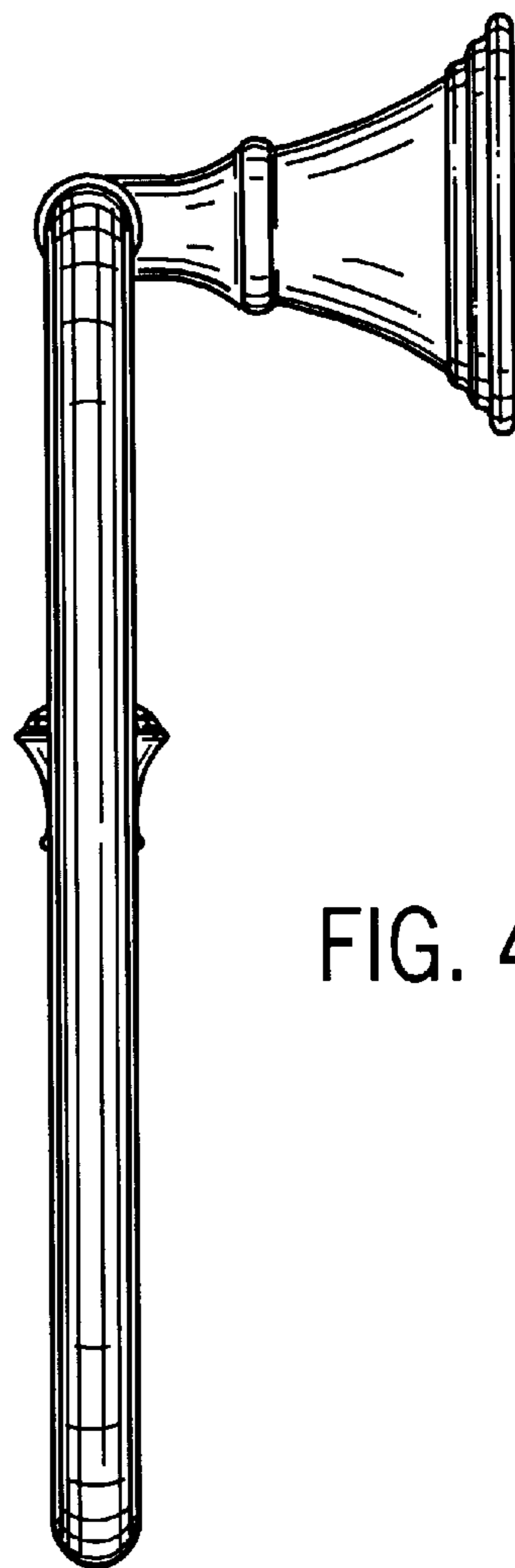


FIG. 4

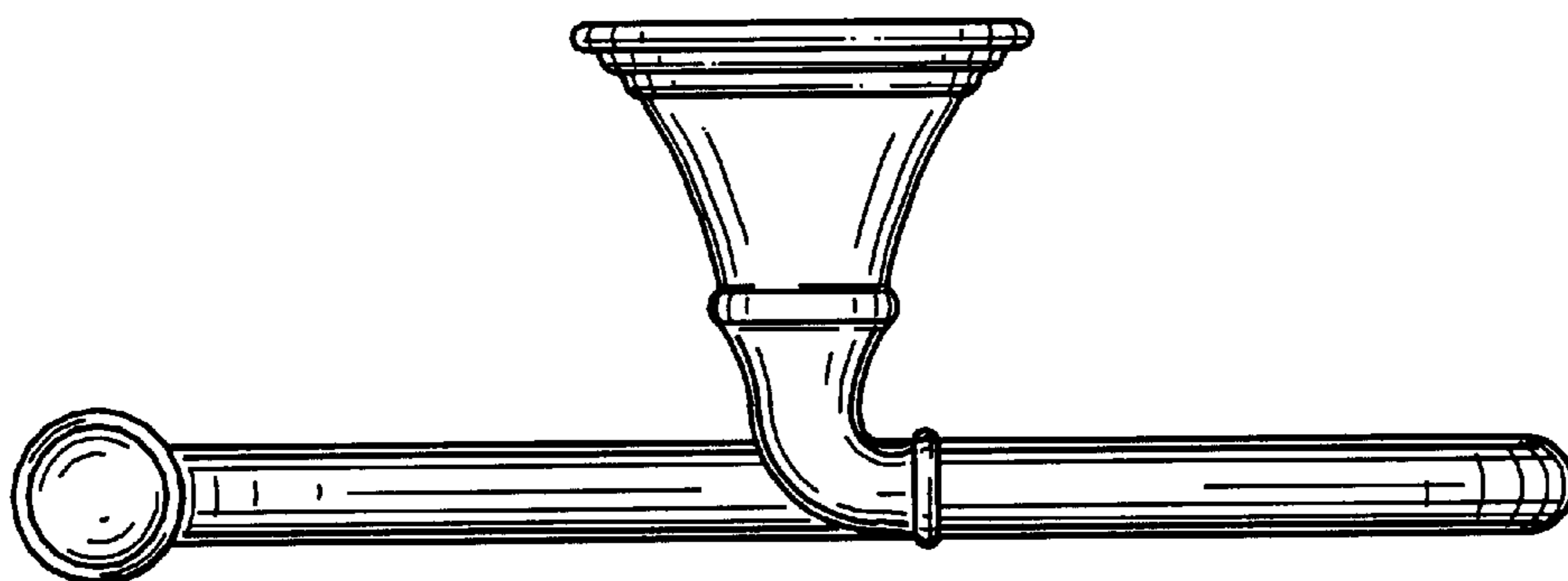


FIG. 5

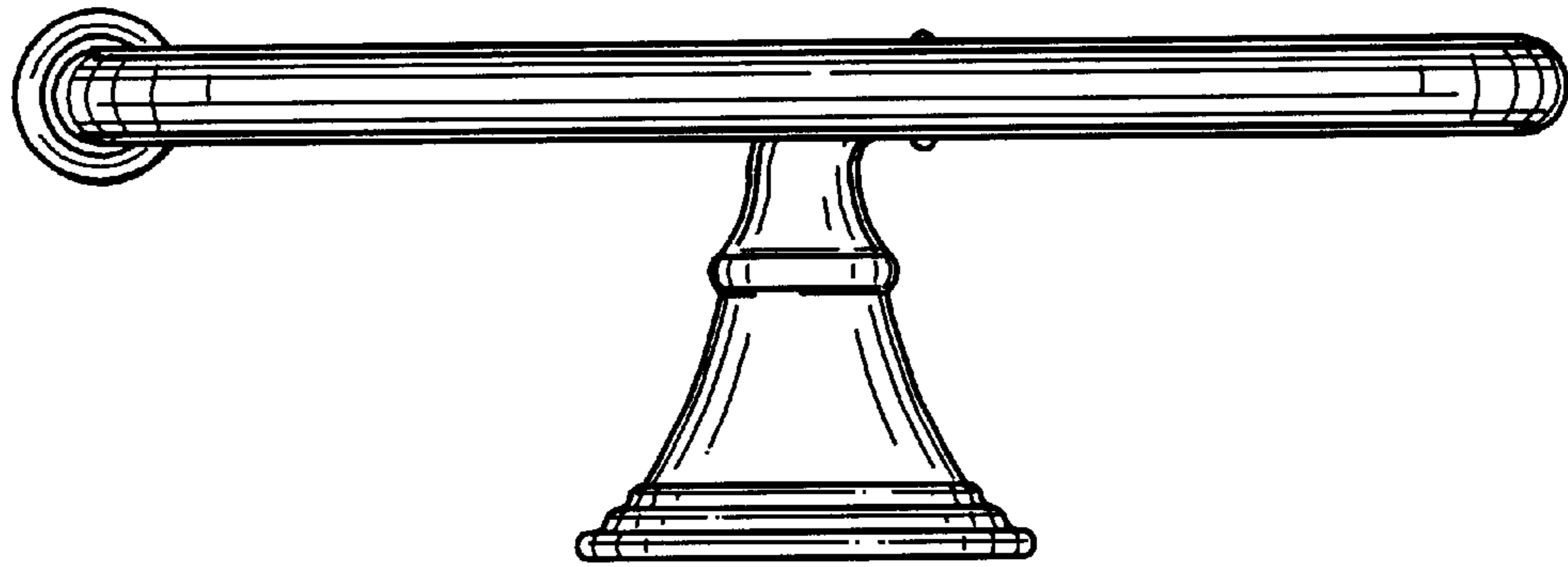
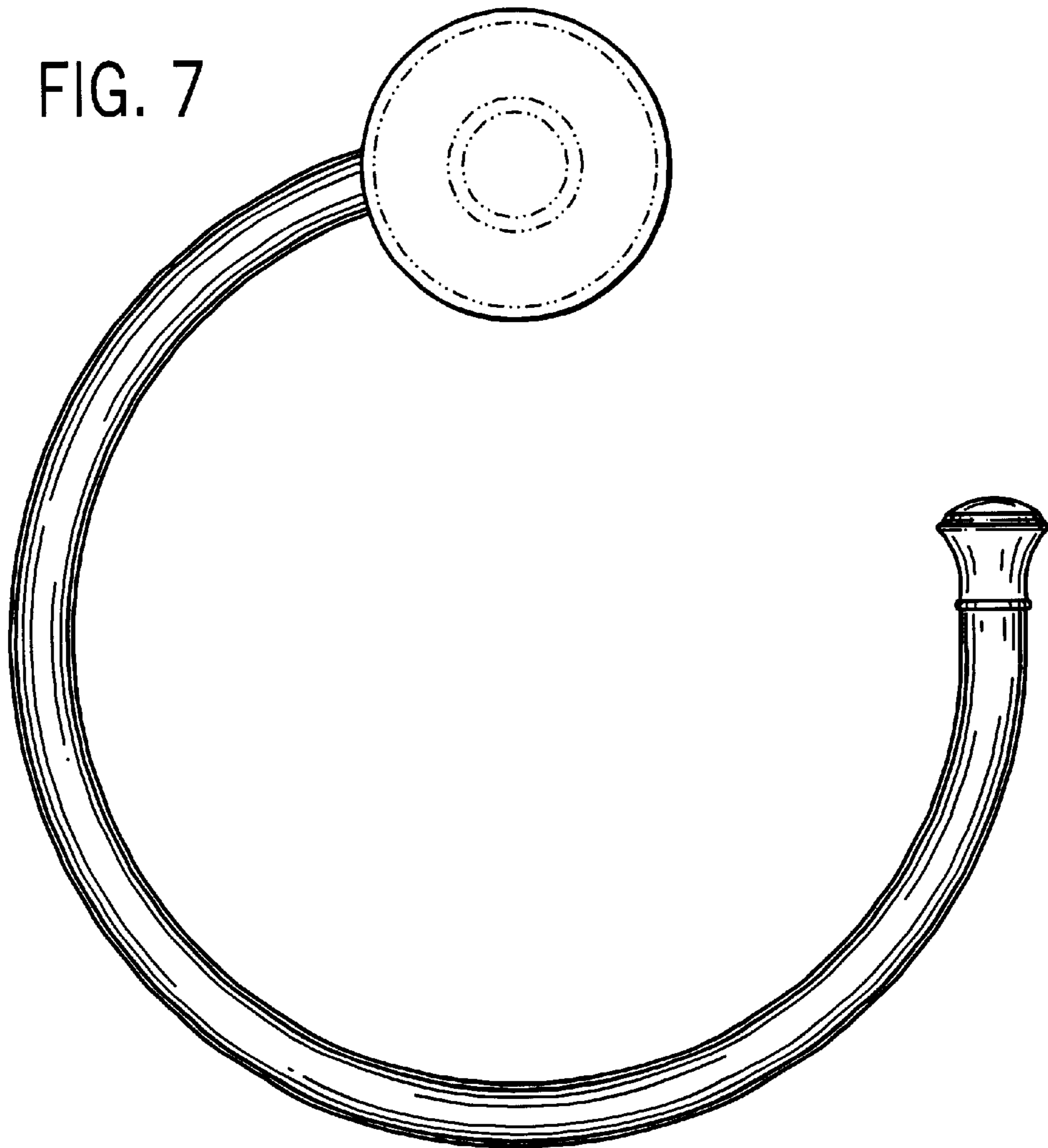


FIG. 6

FIG. 7



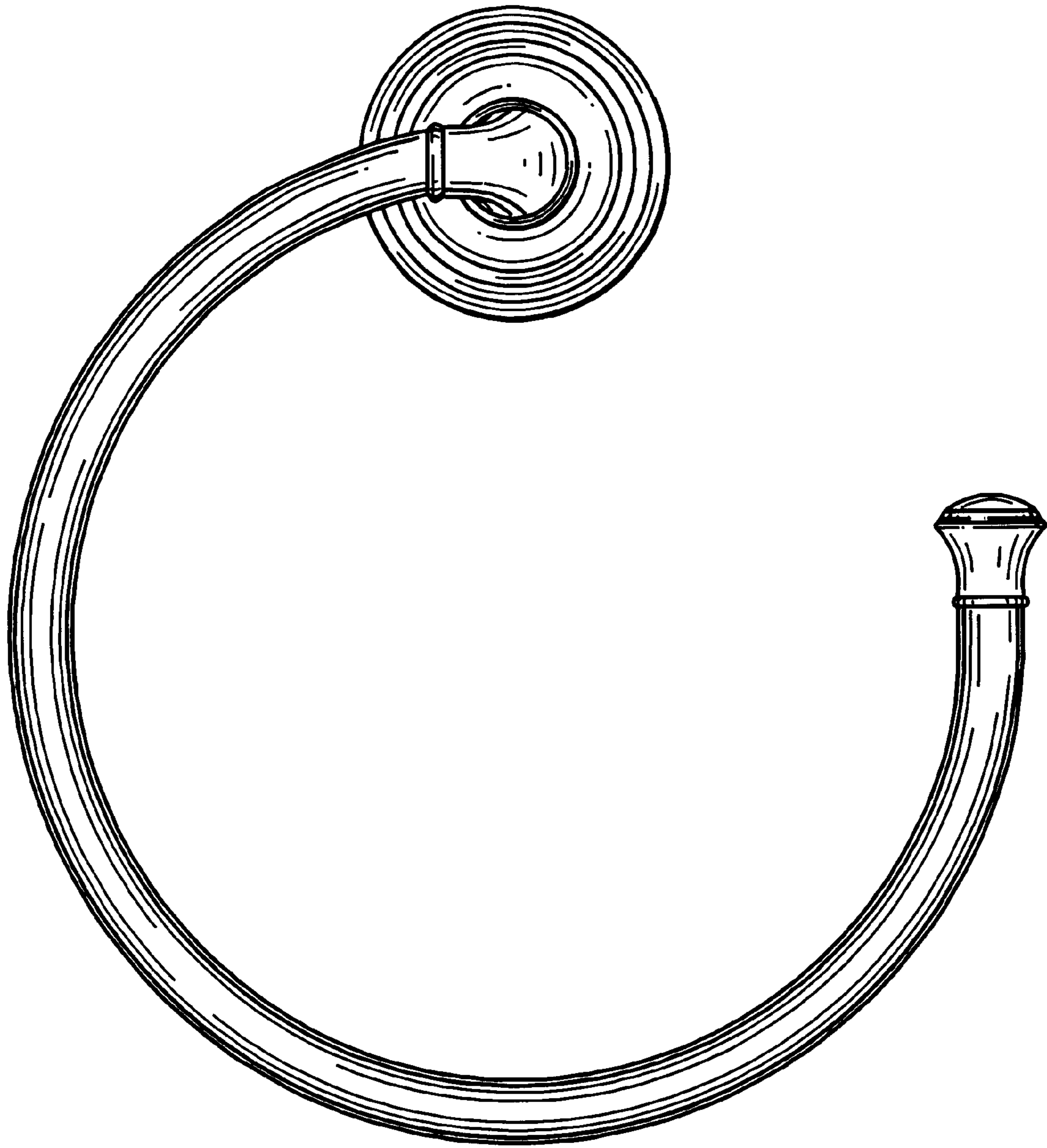


FIG. 8