



US00D521776S

(12) **United States Design Patent**
Moyle et al.

(10) **Patent No.:** **US D521,776 S**

(45) **Date of Patent:** **** May 30, 2006**

(54) **STAND**

(75) Inventors: **Peter B. Moyle**, Howick (NZ); **Peke Cpe Hallenheim**, Auckland (NZ)

(73) Assignee: **Criterion Manufacturing Ltd.**, East Tamaki (NZ)

(**) Term: **14 Years**

(21) Appl. No.: **29/231,182**

(22) Filed: **Jun. 1, 2005**

(30) **Foreign Application Priority Data**

Dec. 4, 2004 (AU) 15599/2004

(51) **LOC (8) Cl.** **06-04**

(52) **U.S. Cl.** **D6/479**; D6/436

(58) **Field of Classification Search** D6/460,
D6/461, 468, 474, 477-479; D14/126, 129;
312/7.2, 9.1; 108/59, 91, 92, 93, 96; 211/40,
211/41.12, 42, 49.1, 50, 85.2, 90.04, 187,
211/190, 119.003, 134.153, 87.01, 71.01
See application file for complete search history.

(56) **References Cited**

U.S. PATENT DOCUMENTS

D249,857 S * 10/1978 Adkinson D6/477

D398,788 S * 9/1998 Schubert D6/436
D507,428 S * 7/2005 Weatherly D6/437
2004/0135476 A1 * 7/2004 Gillengerten 312/7.2

* cited by examiner

Primary Examiner—Cathron C. Brooks

(74) *Attorney, Agent, or Firm*—Intellectual Property Law Group LLP; Otto O. Lee; Juneko Jackson

(57) **CLAIM**

The ornamental design for a stand, as shown and described.

DESCRIPTION

FIG. 1 is a left perspective view of a stand embodying my design;

FIG. 2 is a right perspective view thereof;

FIG. 3 is a rear elevational view thereof;

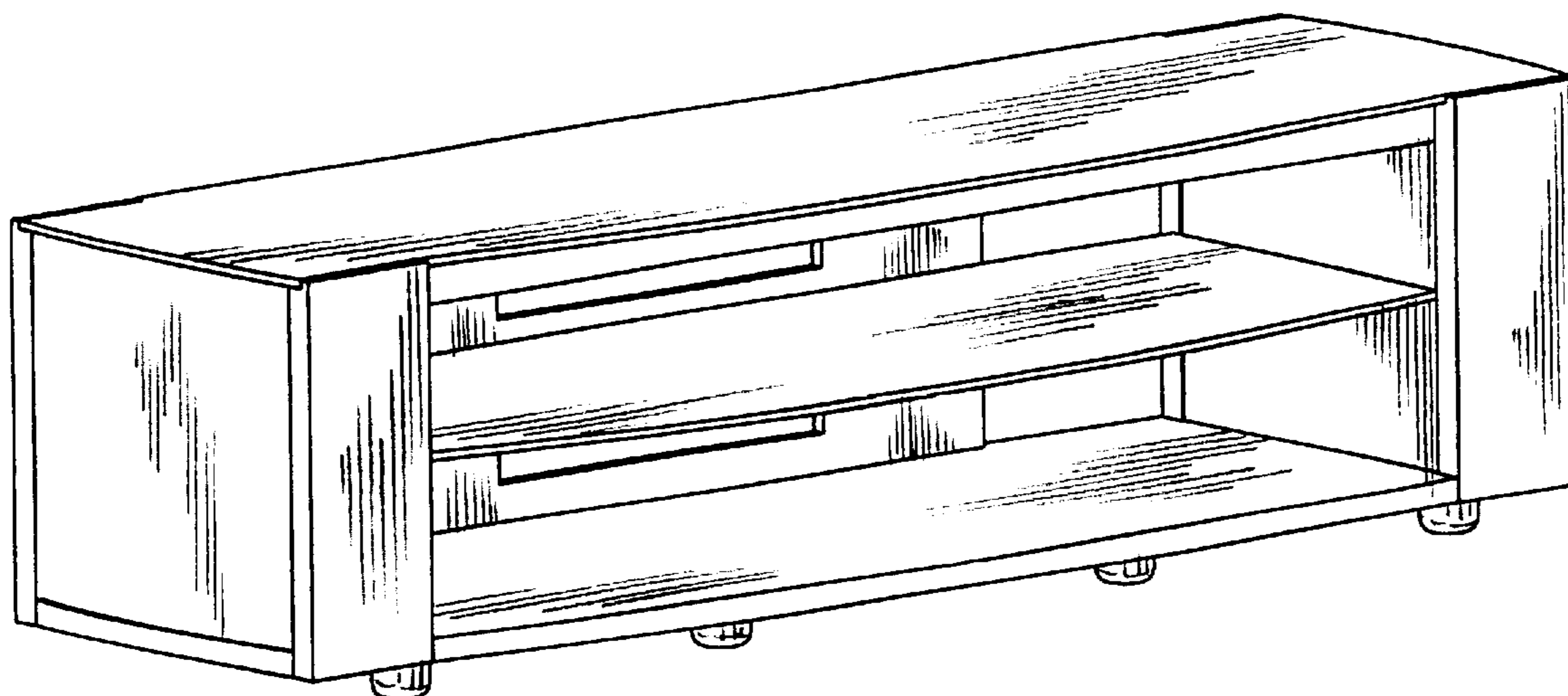
FIG. 4 is a front elevational view thereof;

FIG. 5 is a top plan view thereof;

FIG. 6 is a right side elevational view thereof; and,

FIG. 7 is a left side elevational view thereof.

1 Claim, 2 Drawing Sheets



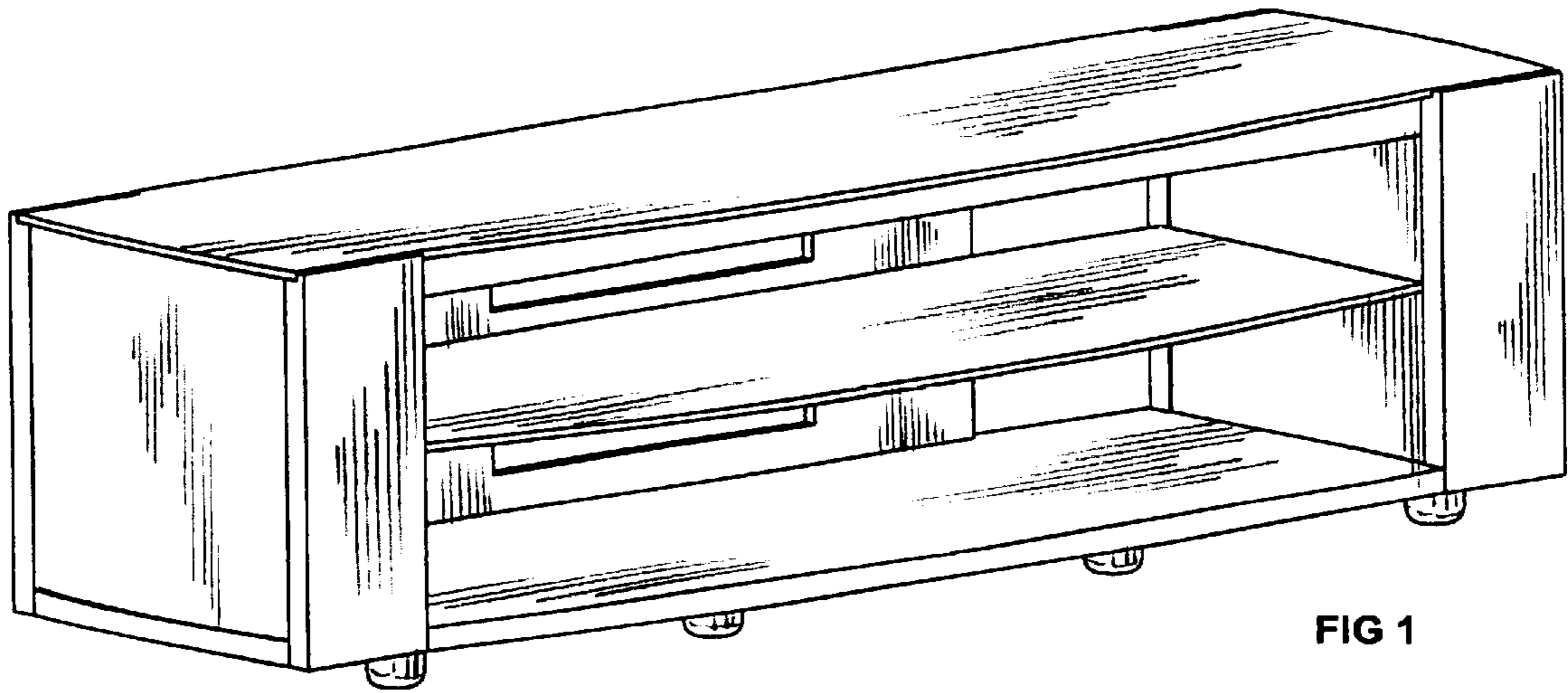


FIG 1

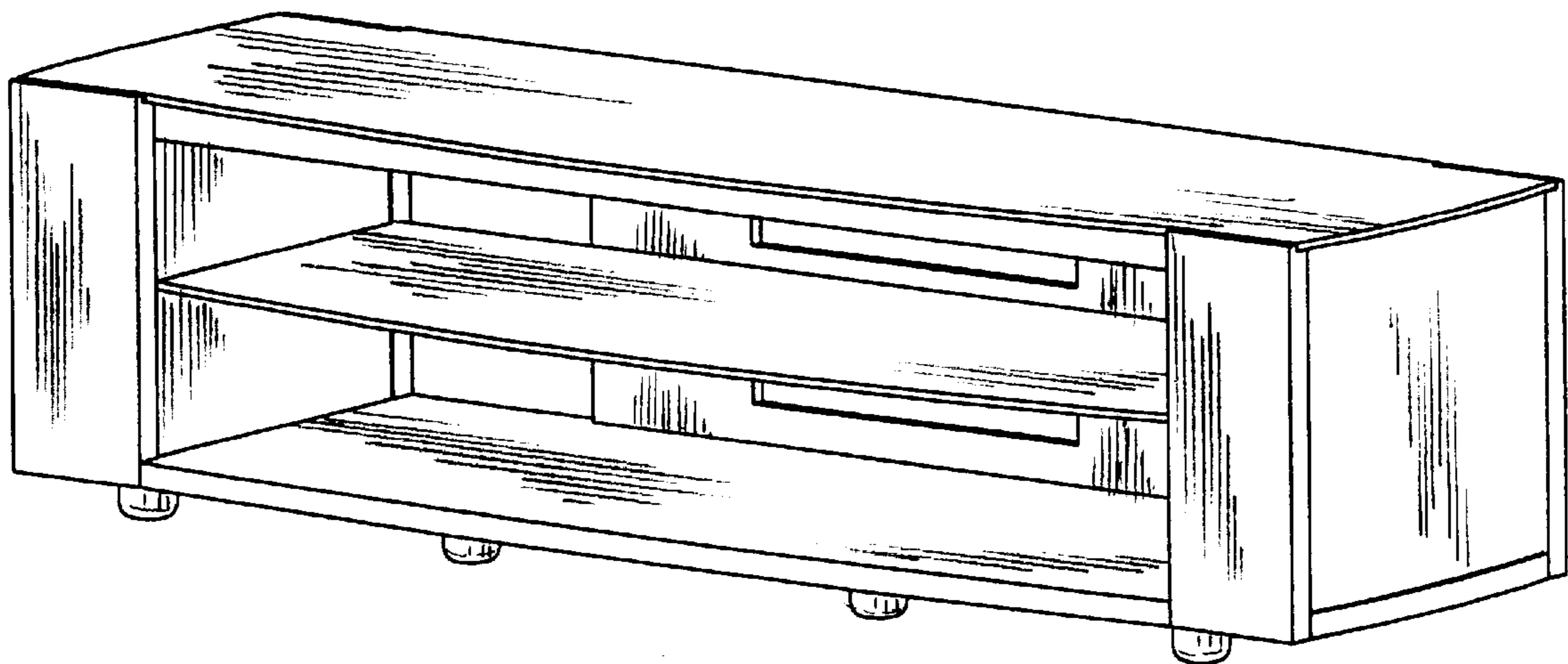


FIG 2

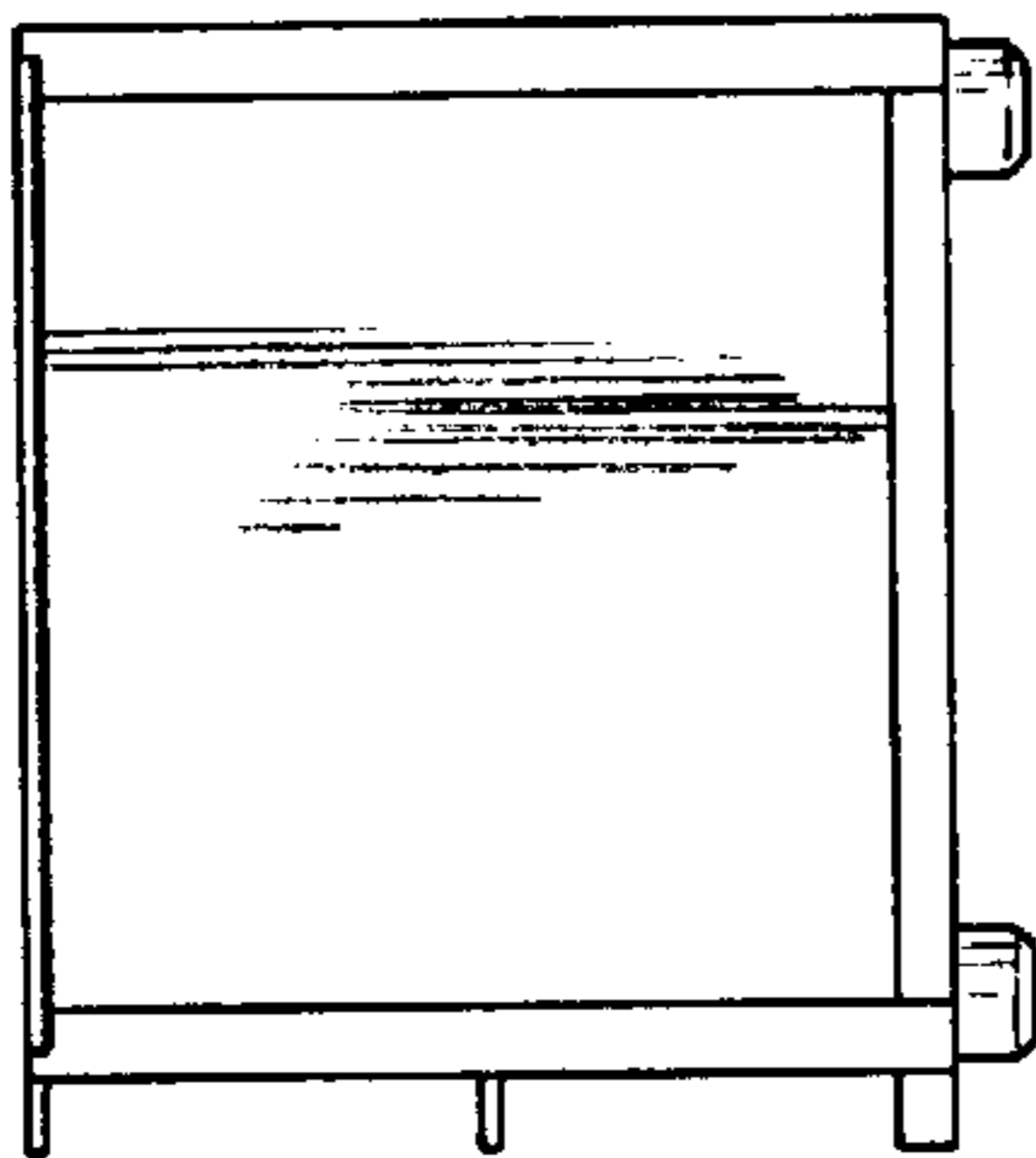


FIG 6

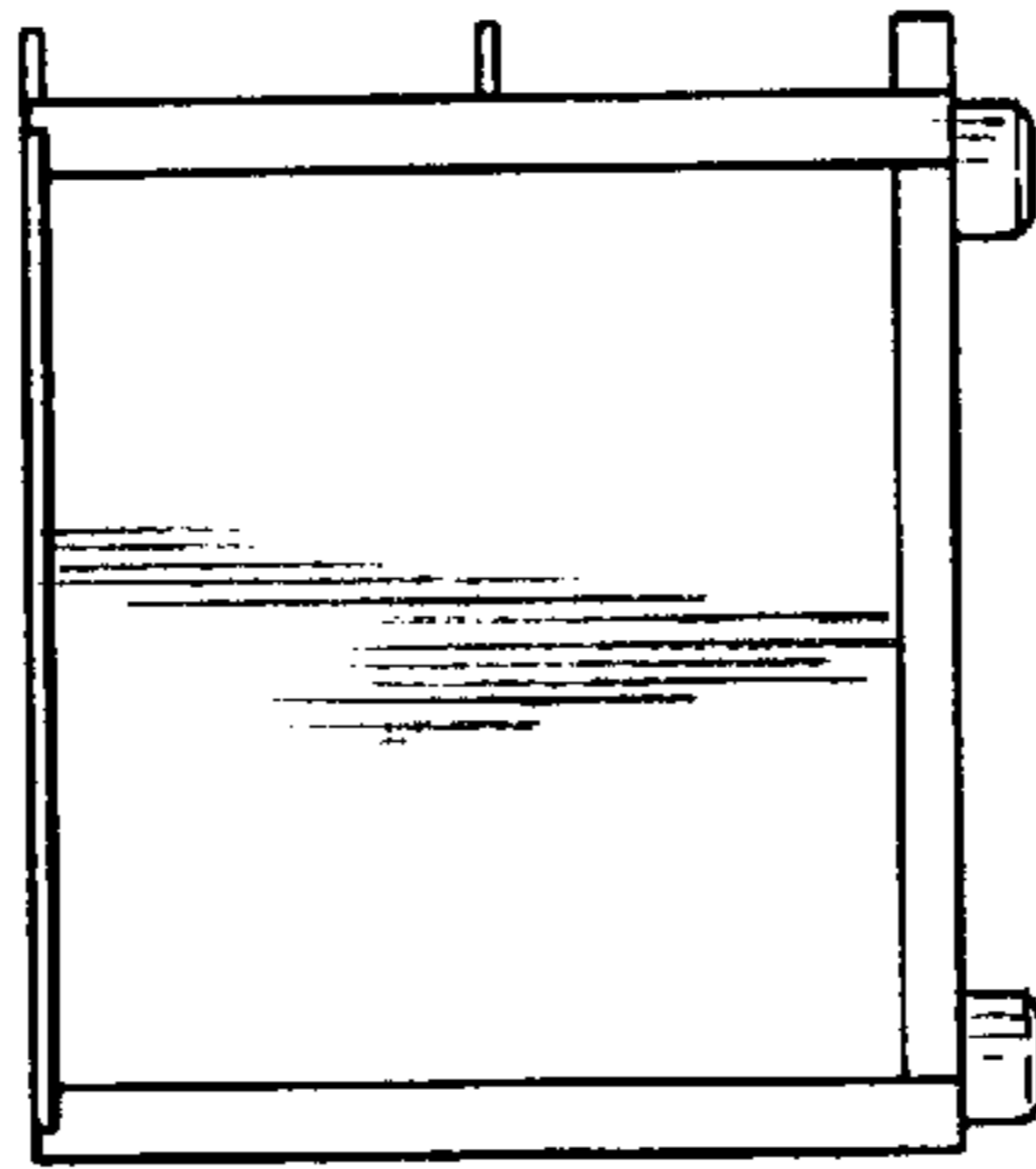


FIG 7

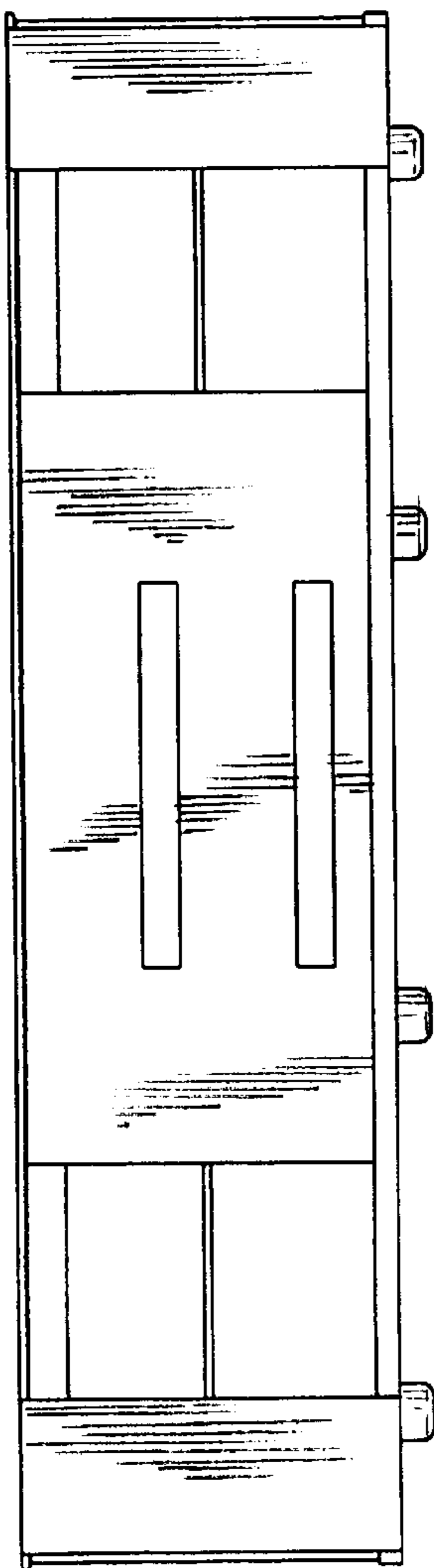


FIG 3

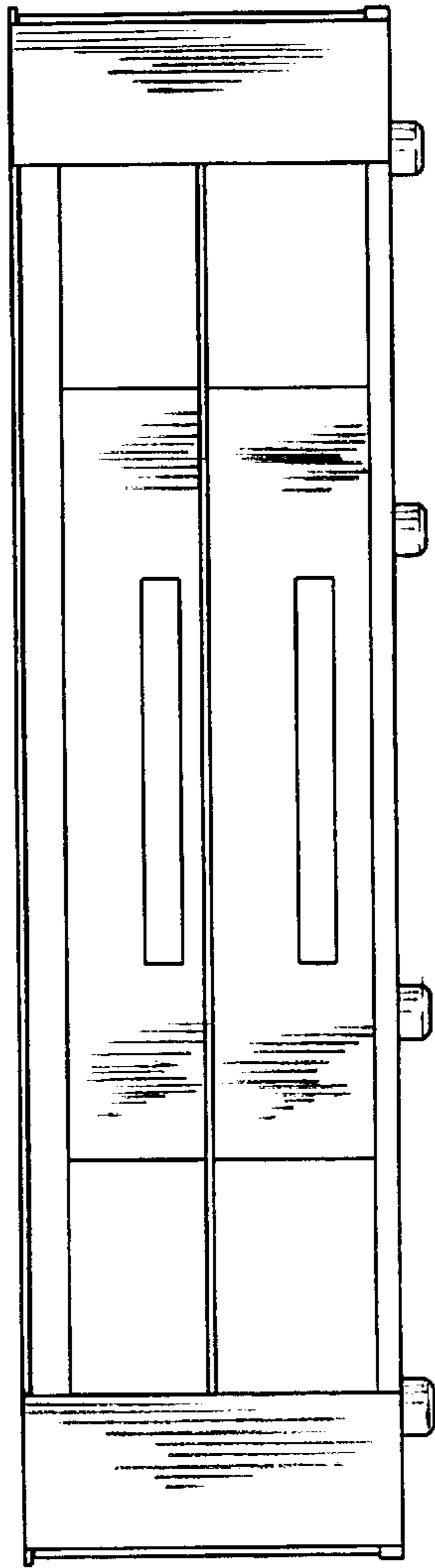


FIG 4

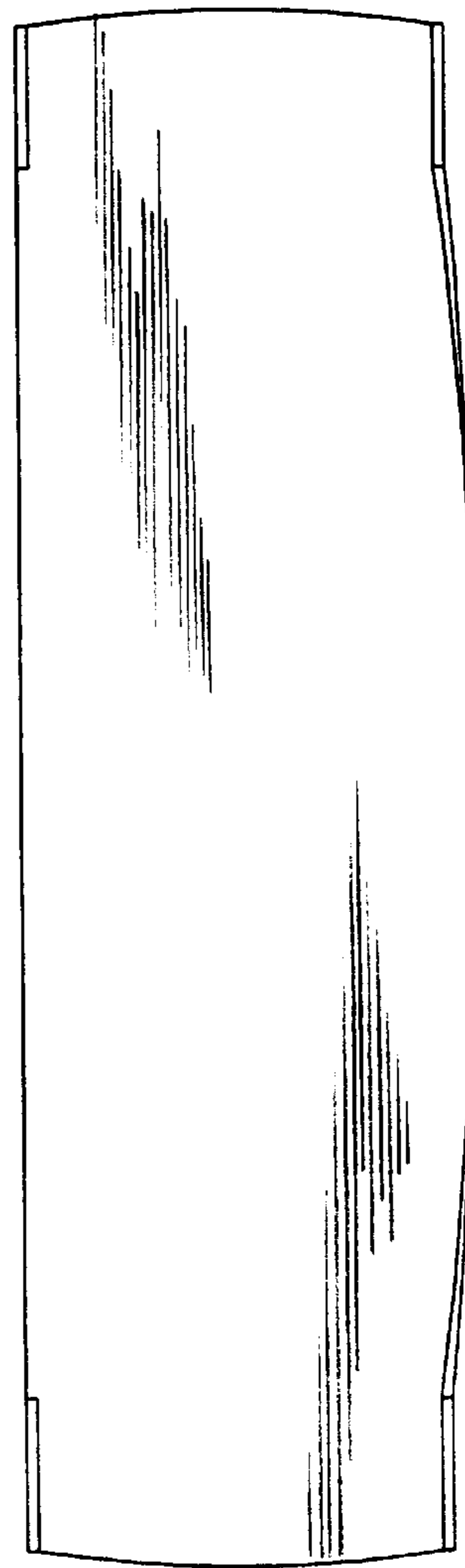


FIG 5