



US00D521773S

(12) **United States Design Patent**
Brown

(10) **Patent No.:** **US D521,773 S**
(45) **Date of Patent:** **** May 30, 2006**

(54) **MAGAZINE HOLDER**

D501,617 S * 2/2005 Katz D6/476

(76) Inventor: **Flyn M. Brown**, 120-10 143rd St.,
Jamaica, NY (US) 11436

* cited by examiner

(**) Term: **14 Years**

Primary Examiner—Caron D. Veynar

Assistant Examiner—Elizabeth Albert

(21) Appl. No.: **29/215,045**

(74) *Attorney, Agent, or Firm*—John De La Rosa

(22) Filed: **Oct. 14, 2004**

(57) **CLAIM**

The ornamental design for a magazine holder, as shown and described.

(51) **LOC (8) Cl.** **06-99**

DESCRIPTION

(52) **U.S. Cl.** **D6/467**

FIG. 1 is a perspective view of a magazine holder illustrating our new design;

(58) **Field of Classification Search** D6/437,
D6/449, 454, 459, 461, 467, 473, 474, 475,
D6/476; D19/75, 78, 86, 87, 90, 91; 211/42,
211/43, 47, 50, 150, 169, 203, 205
See application file for complete search history.

FIG. 2 is a front perspective view of the magazine holder shown in FIG. 1;

FIG. 3 is a back perspective view of the magazine holder shown in FIG. 1;

(56) **References Cited**

U.S. PATENT DOCUMENTS

- D162,084 S * 2/1951 Robinson, Jr. D6/454
- D284,340 S * 6/1986 Berry, Jr. D6/474
- 4,938,364 A * 7/1990 Stadelman et al. 211/47
- D333,489 S * 2/1993 Stern et al. D19/90
- D468,934 S * 1/2003 Dienstmann D6/449

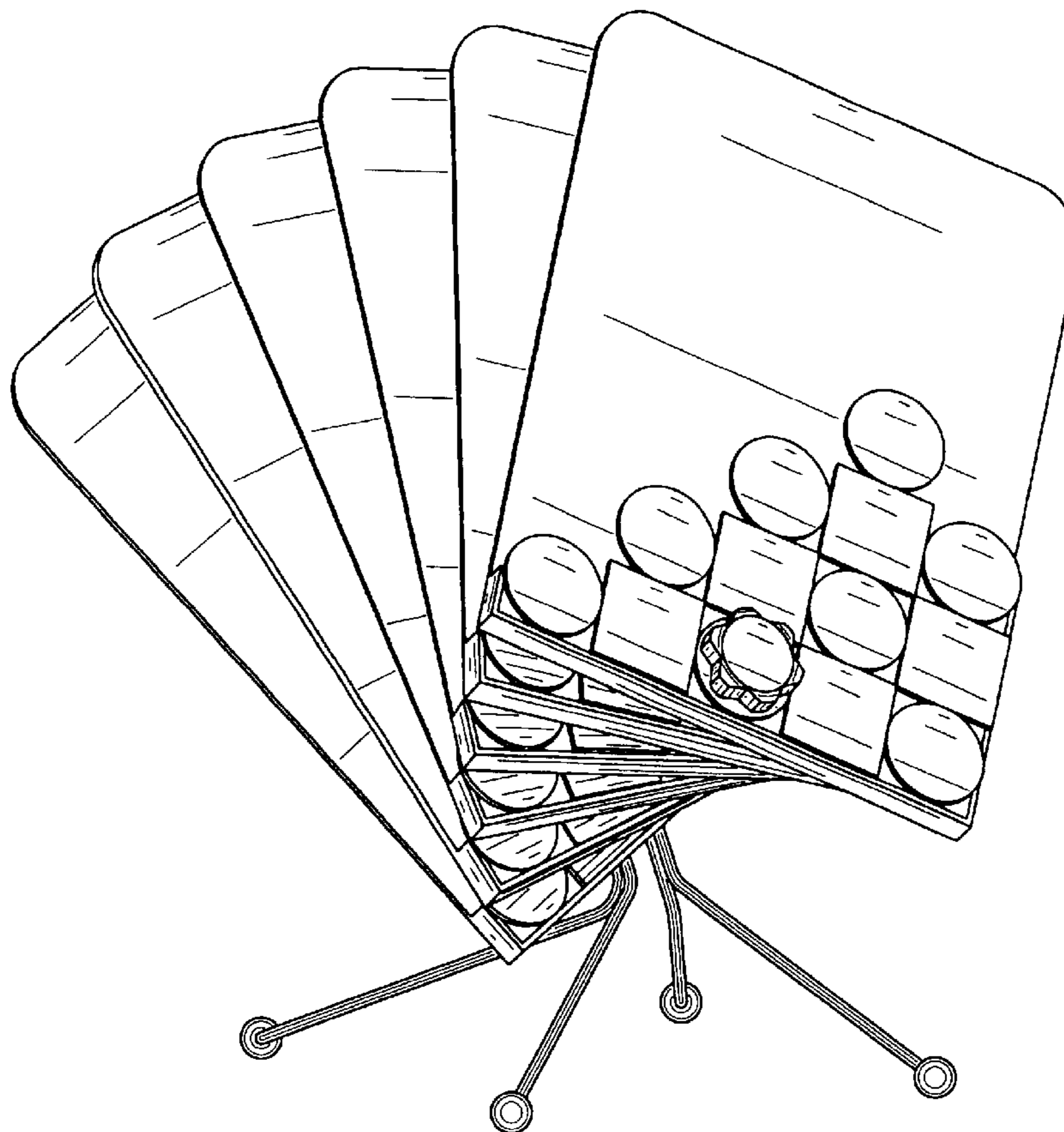
FIG. 4 is a left side view of the magazine holder shown in FIG. 1;

FIG. 5 is a right side view of the magazine holder shown in FIG. 1;

FIG. 6 is a top perspective view of the magazine holder shown in FIG. 1; and,

FIG. 7 is a bottom perspective view of the magazine holder shown in FIG. 1.

1 Claim, 7 Drawing Sheets



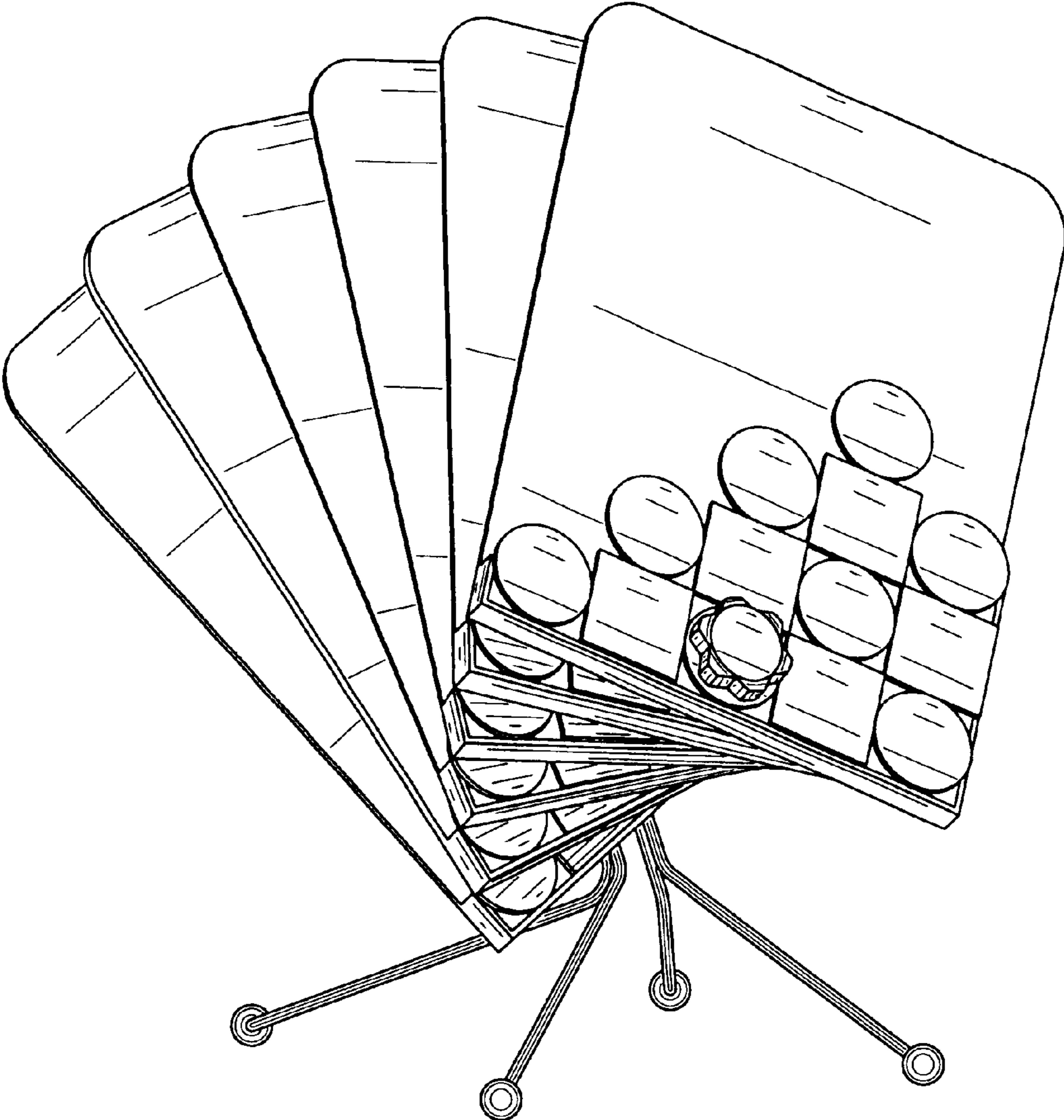


FIG. 1

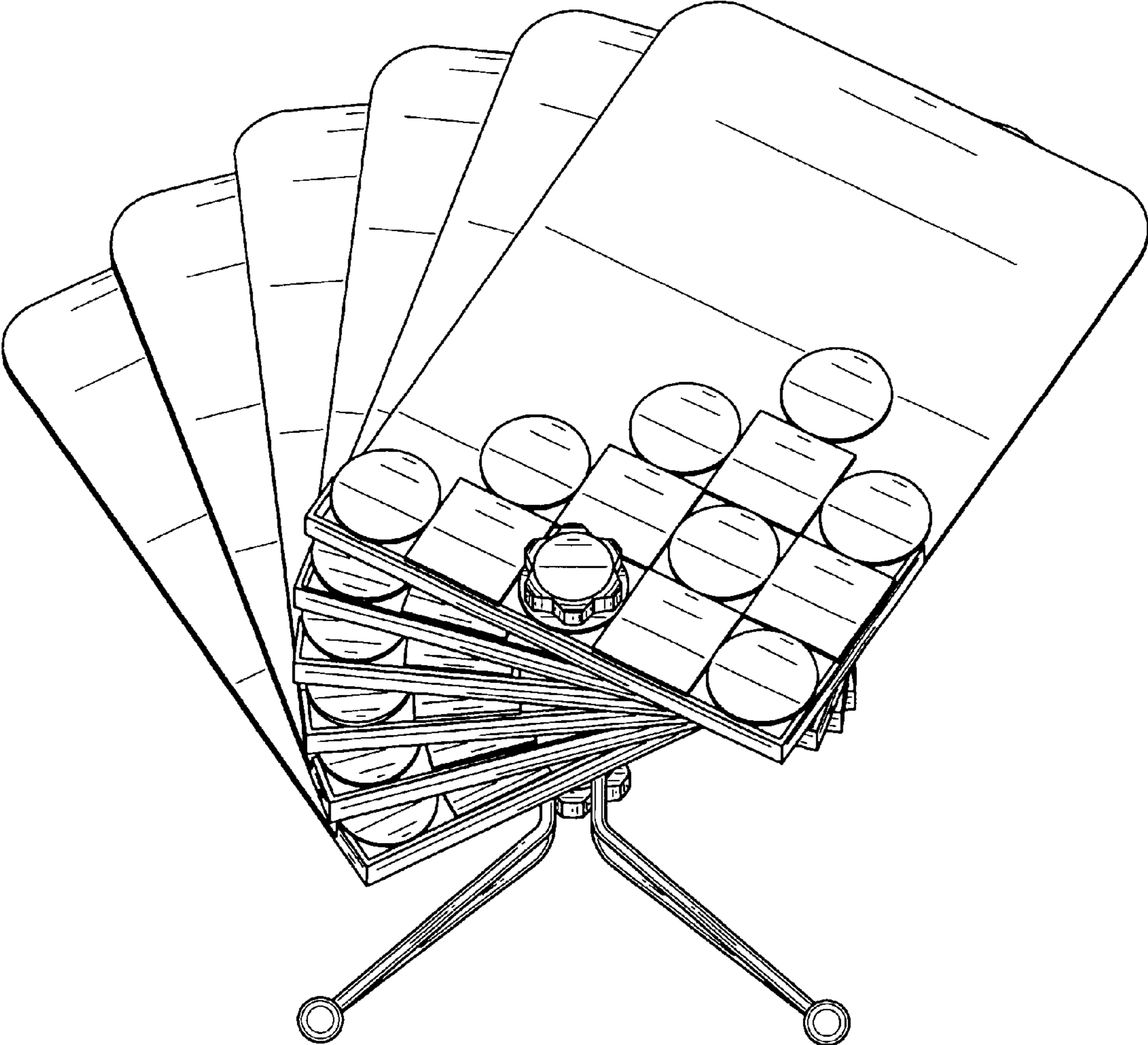


FIG. 2

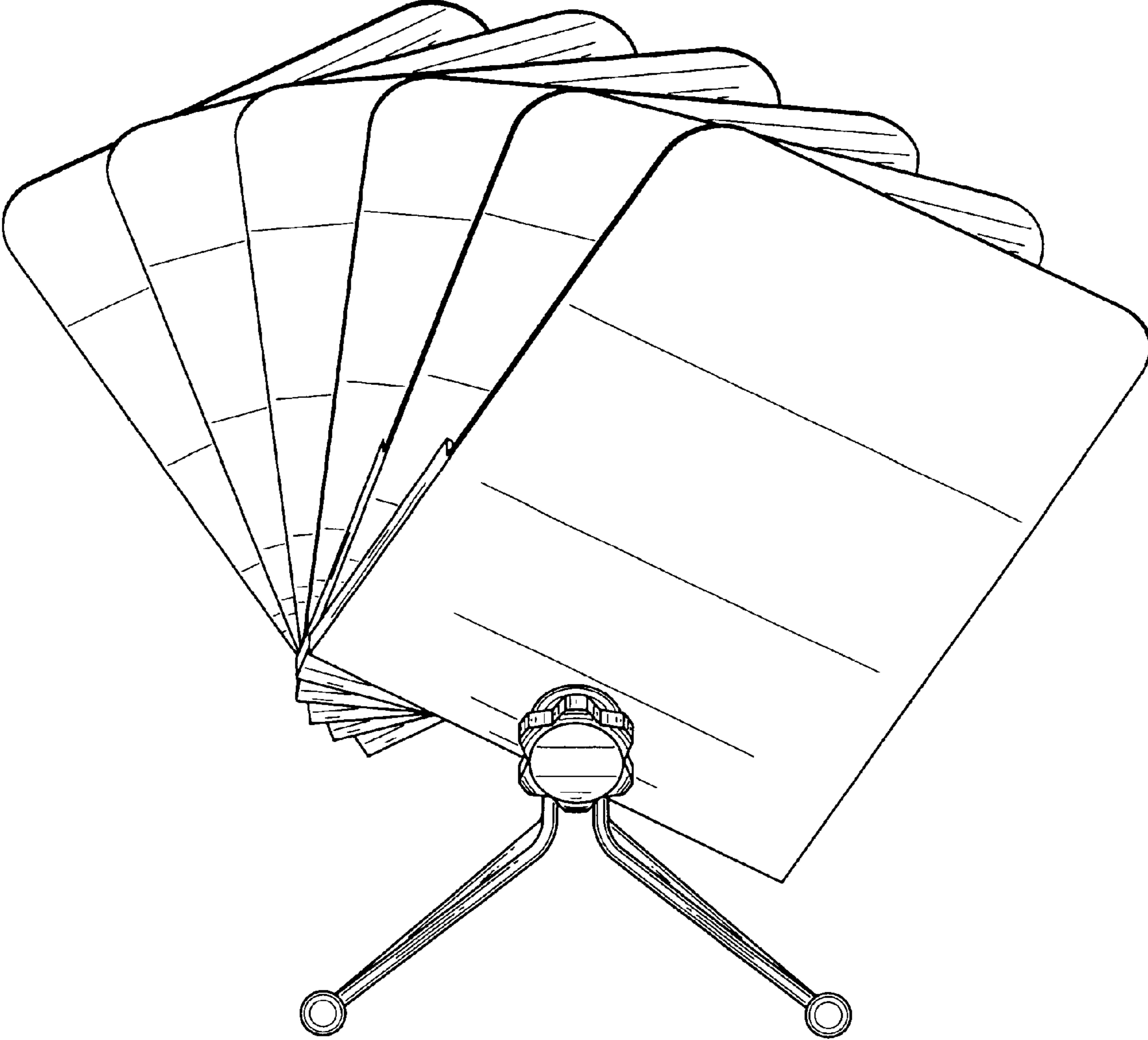


FIG. 3

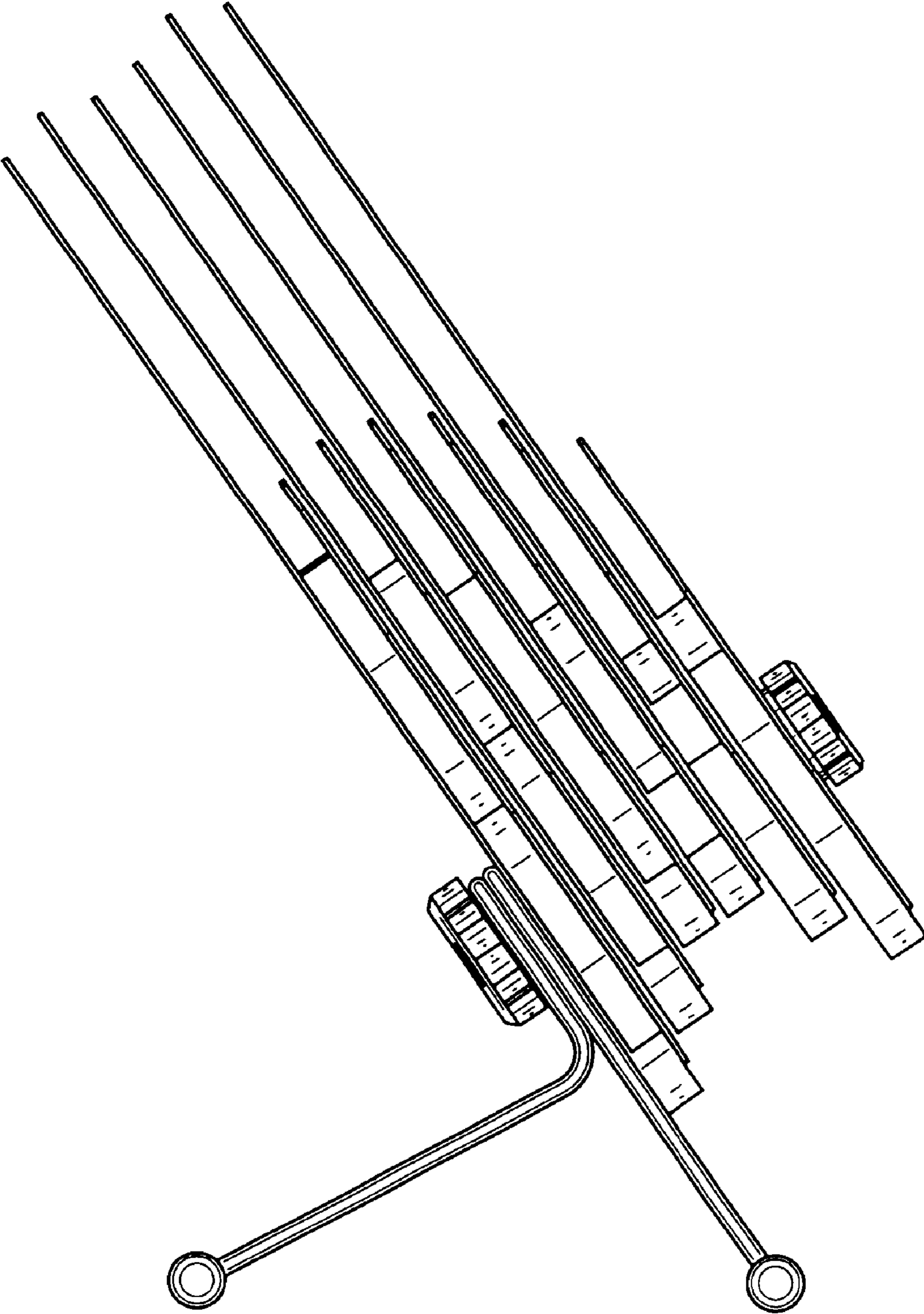


FIG. 4

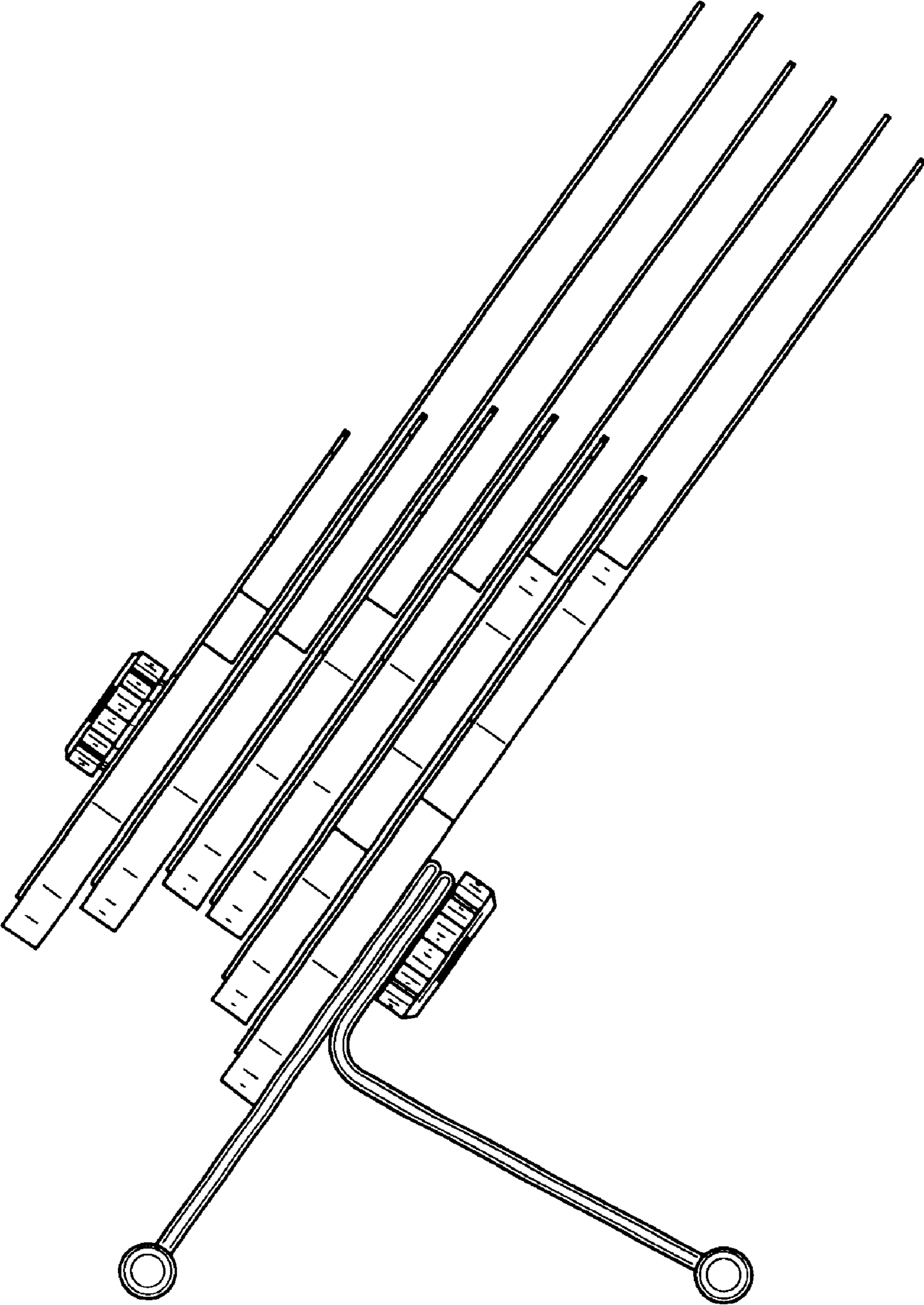


FIG. 5

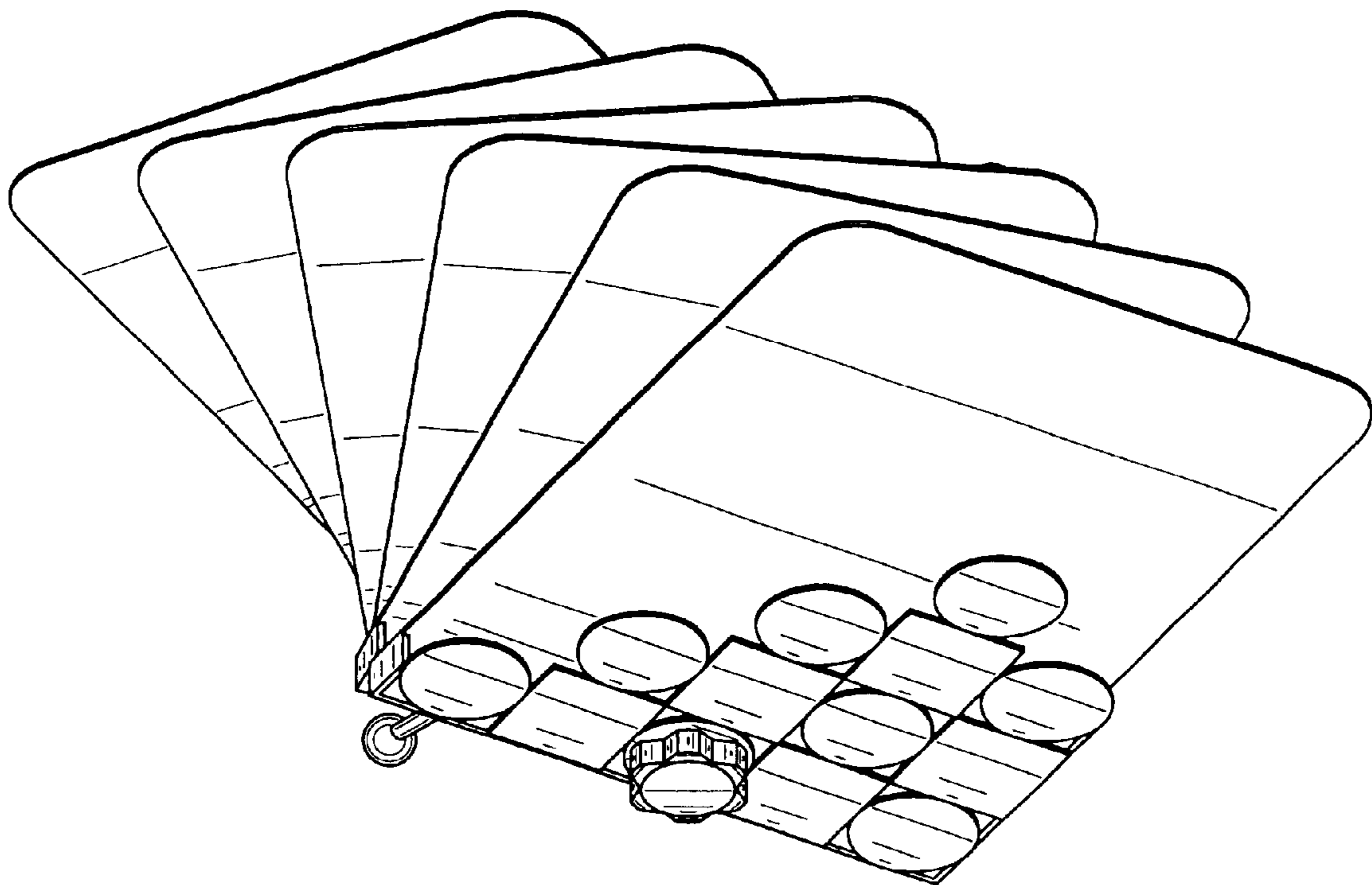


FIG. 6

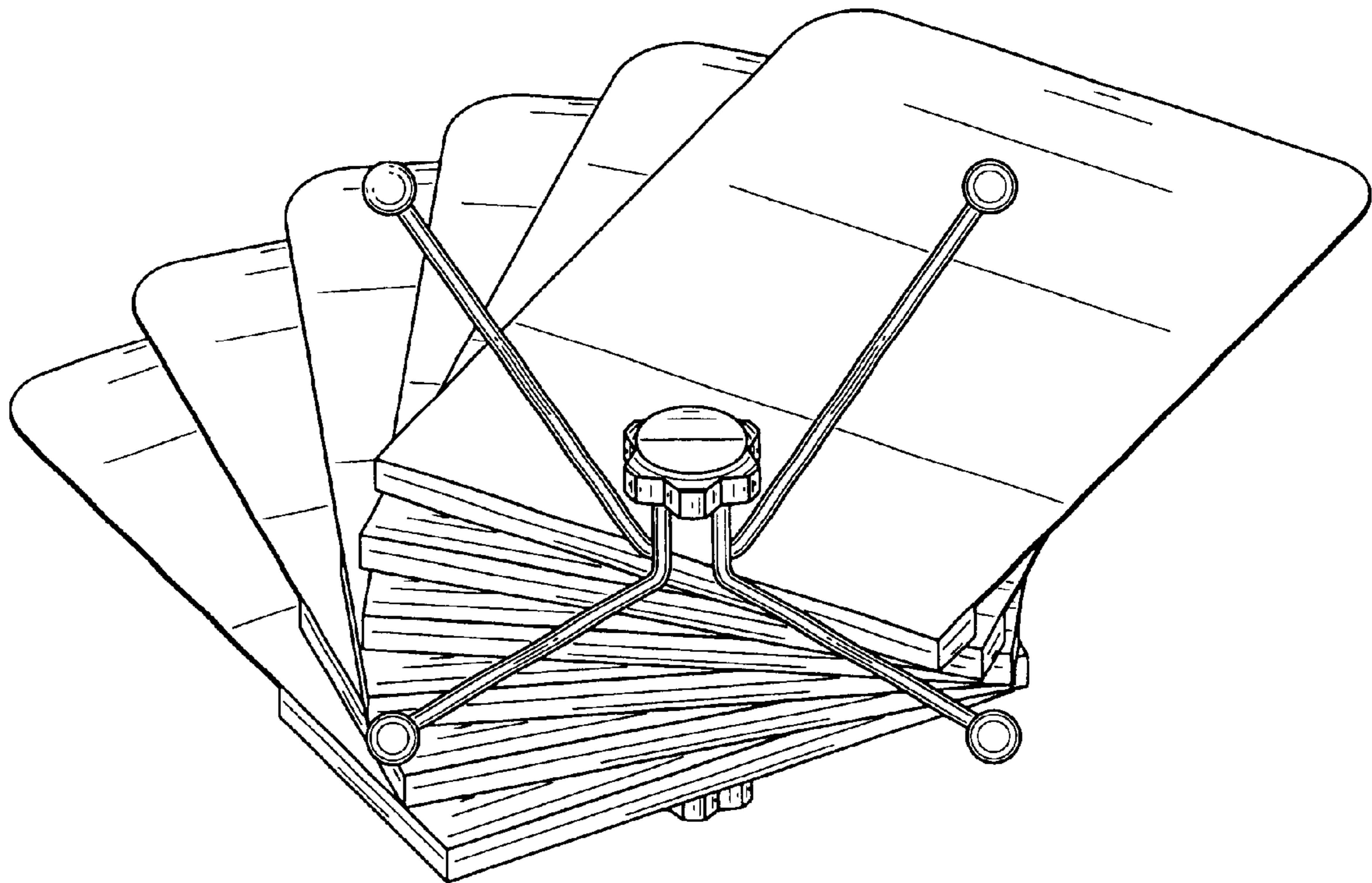


FIG. 7