



US00D521770S

(12) **United States Design Patent**
Madison

(10) **Patent No.:** **US D521,770 S**

(45) **Date of Patent:** **** May 30, 2006**

(54) **COMPUTER DESK FOR A FLIP-UP FLAT SCREEN MONITOR**

(75) Inventor: **Gregory P. Madison**, Story, WY (US)

(73) Assignee: **Electronics Classroom Furniture Systems, LC**, Story, WY (US)

(**) Term: **14 Years**

(21) Appl. No.: **29/206,863**

(22) Filed: **Jun. 4, 2004**

Related U.S. Application Data

(63) Continuation-in-part of application No. 29/198,553, filed on Jan. 30, 2004, now Pat. No. Des. 510,821.

(51) **LOC (8) Cl.** **06-03**

(52) **U.S. Cl.** **D6/425; D6/484**

(58) **Field of Classification Search** D6/480-489, D6/495-499, 511, 429-431, 420, 422, 425, D6/426; 108/150, 153.1, 155, 156, 157.1, 108/161; 248/188, 188.1, 188.8
See application file for complete search history.

(56) **References Cited**

U.S. PATENT DOCUMENTS

3,605,650	A	*	9/1971	Hebel et al.	108/13
D278,956	S		5/1985	Gordon	
4,669,789	A		6/1987	Pemberton	
4,766,422	A		8/1988	Wolters et al.	

(Continued)

OTHER PUBLICATIONS

Parent case U.S. Appl. No. 29/198,553, filed on Jan. 30, 2003 entitled "Computer Desk for a Flip-up Flat Screen Monitor"; to Gregory P. Madison currently pending.

Primary Examiner—Janice E. Seeger

(57) **CLAIM**

The ornamental design for an computer desk for a flip-up flat screen monitor, as shown and described.

DESCRIPTION

FIG. 1 is a front, off-angle, perspective view of one embodiment of a computer desk for a flip-up flat screen monitor incorporating the new design with the flip up panel in the closed position;

FIG. 2 is a front, off-angle, perspective view of the computer desk of FIG. 1 with the flip up panel and flat screen monitor in the raised position;

FIG. 3 is a rear elevation view of the computer desk of FIG. 1 with the flip up panel in the closed position;

FIG. 4 is a front elevation view of the computer desk of FIG. 3;

FIG. 5 is a left side elevation view of the computer desk of FIG. 3;

FIG. 6 is a right side elevation view of the computer desk of FIG. 3;

FIG. 7 is a top plan view of the computer desk of FIG. 3;

FIG. 8 is a bottom plan view of the computer desk of FIG. 3;

FIG. 9 is a rear elevation view of the computer desk of FIG. 1 with the flip up panel and flat screen monitor in the raised position;

FIG. 10 is a front elevation view of the computer desk of FIG. 9;

FIG. 11 is a left side elevation view of the computer desk of FIG. 9;

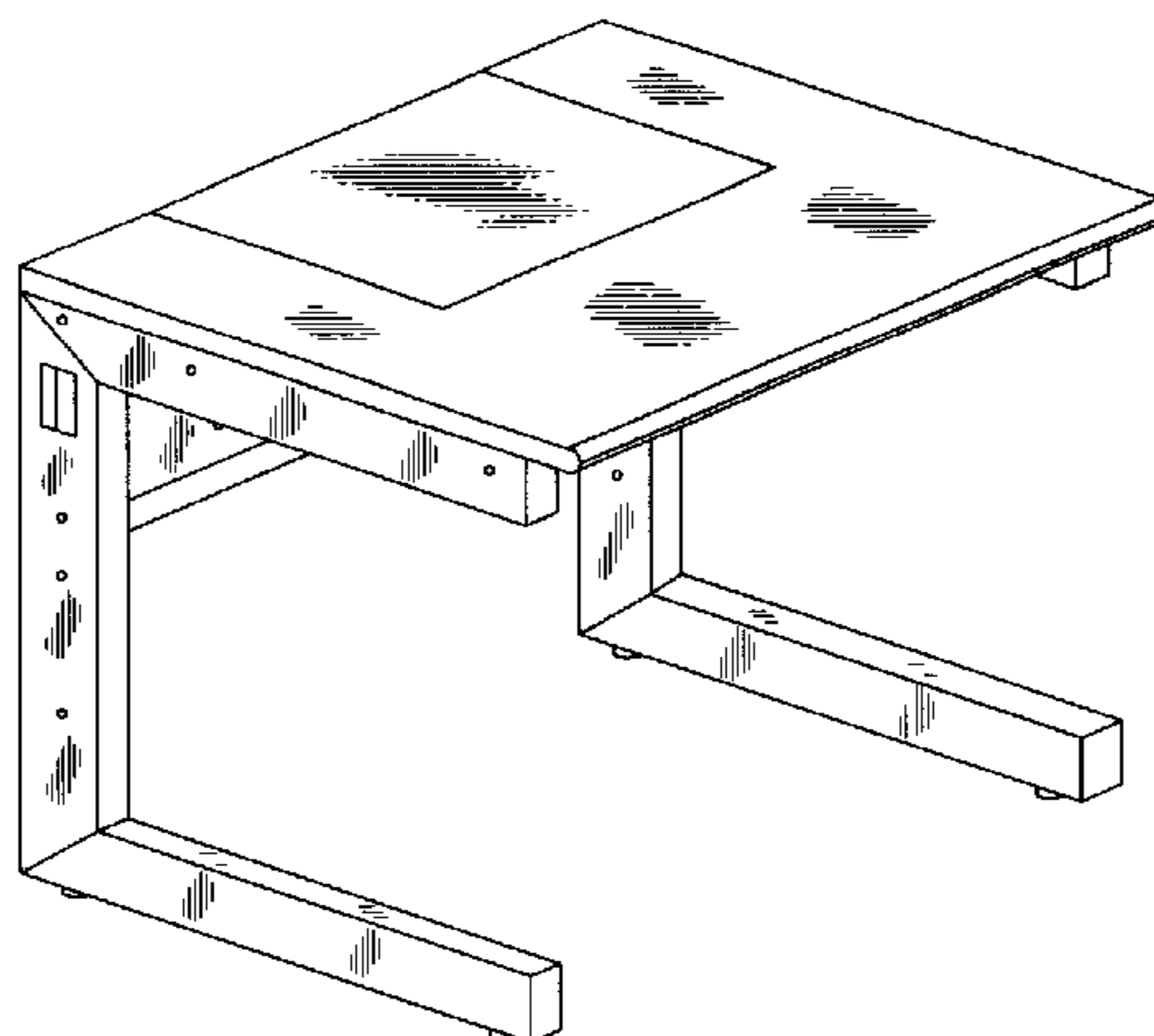
FIG. 12 is a right side elevation view of the computer desk of FIG. 9;

FIG. 13 is a top plan view of the computer desk of FIG. 9;

and, FIG. 14 is a bottom plan view of the computer desk of FIG. 9.

FIGS. 2 and 9-13 illustrate various views of the computer desk as it would appear having a flat screen monitor installed. The purpose of broken lines in the drawings is to indicate the environmental structure of the flat screen monitor that form no part of the design to be patented.

1 Claim, 7 Drawing Sheets



US D521,770 S

Page 2

U.S. PATENT DOCUMENTS

5,125,727	A	6/1992	Lechman et al.	D429,579	S	8/2000	Lechman	
5,199,773	A	4/1993	Price, Jr. et al.	6,170,926	B1	1/2001	Roberts et al.	
5,290,099	A	3/1994	Lechman	D437,506	S	2/2001	Lechman	
5,294,193	A	3/1994	Wegman et al.	D438,401	S	3/2001	Lechman	
5,364,177	A	11/1994	Ugalde	D440,069	S	4/2001	Lechman	
D372,601	S	8/1996	Roberts et al.	6,286,440	B1	9/2001	Jyringi	
D376,931	S	* 12/1996	Fewchuk D6/425	D457,757	S	* 5/2002	Nevarez D6/480	
5,651,594	A	7/1997	Lechman	6,418,860	B1	7/2002	Hinderhofer	
5,699,744	A	12/1997	Lechman	6,446,564	B1	9/2002	Anderson	
5,758,934	A	6/1998	Flutka et al.	6,553,919	B1	4/2003	Nevin	
6,076,473	A	6/2000	Conte	D474,356	S	* 5/2003	Bosman et al. D6/487	
6,092,883	A	7/2000	Lechman	6,609,465	B1	8/2003	Kolavo	
D429,088	S	8/2000	Lechman	D503,296	S	* 3/2005	Mason D6/397	

* cited by examiner

FIG. 1

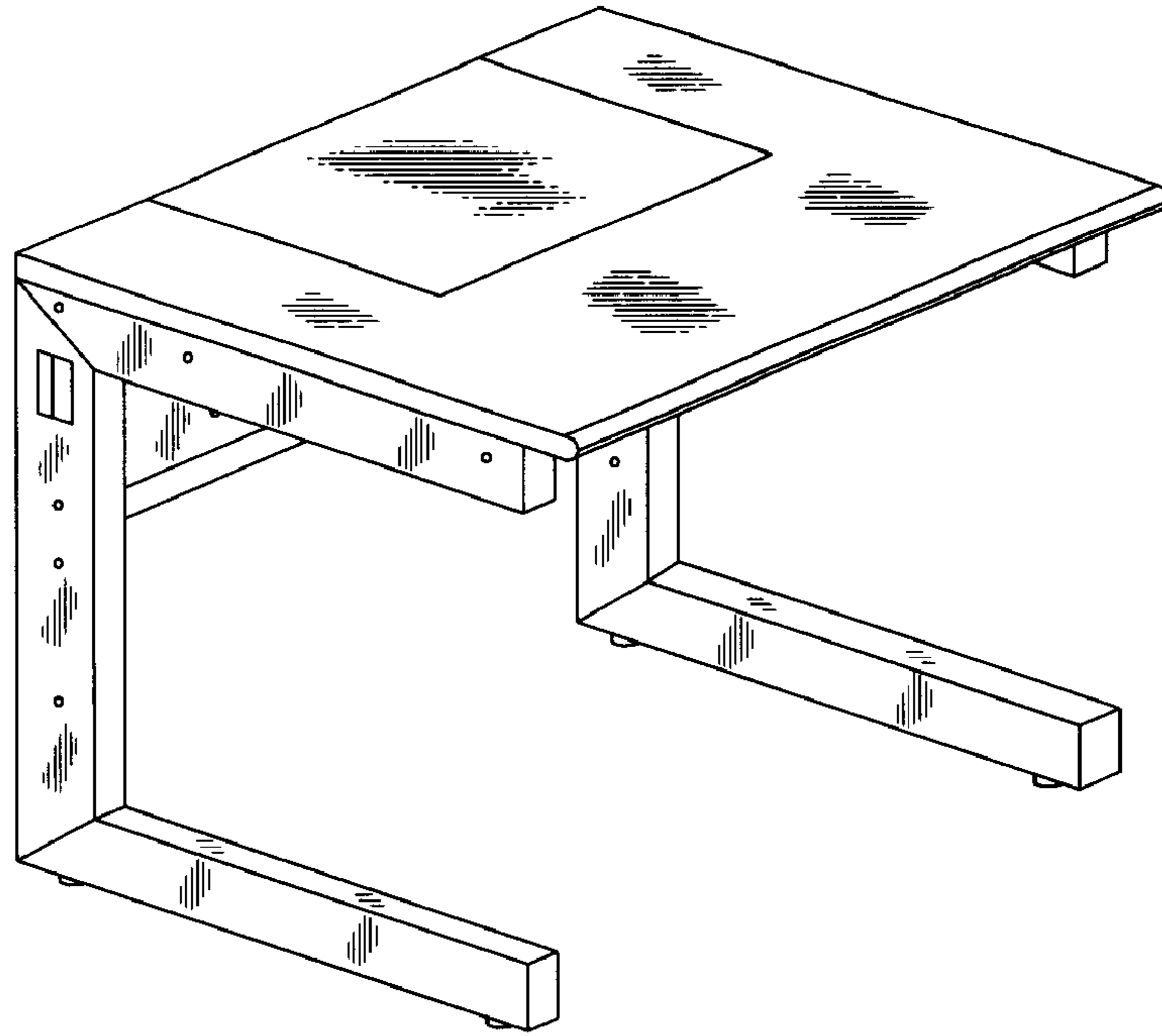
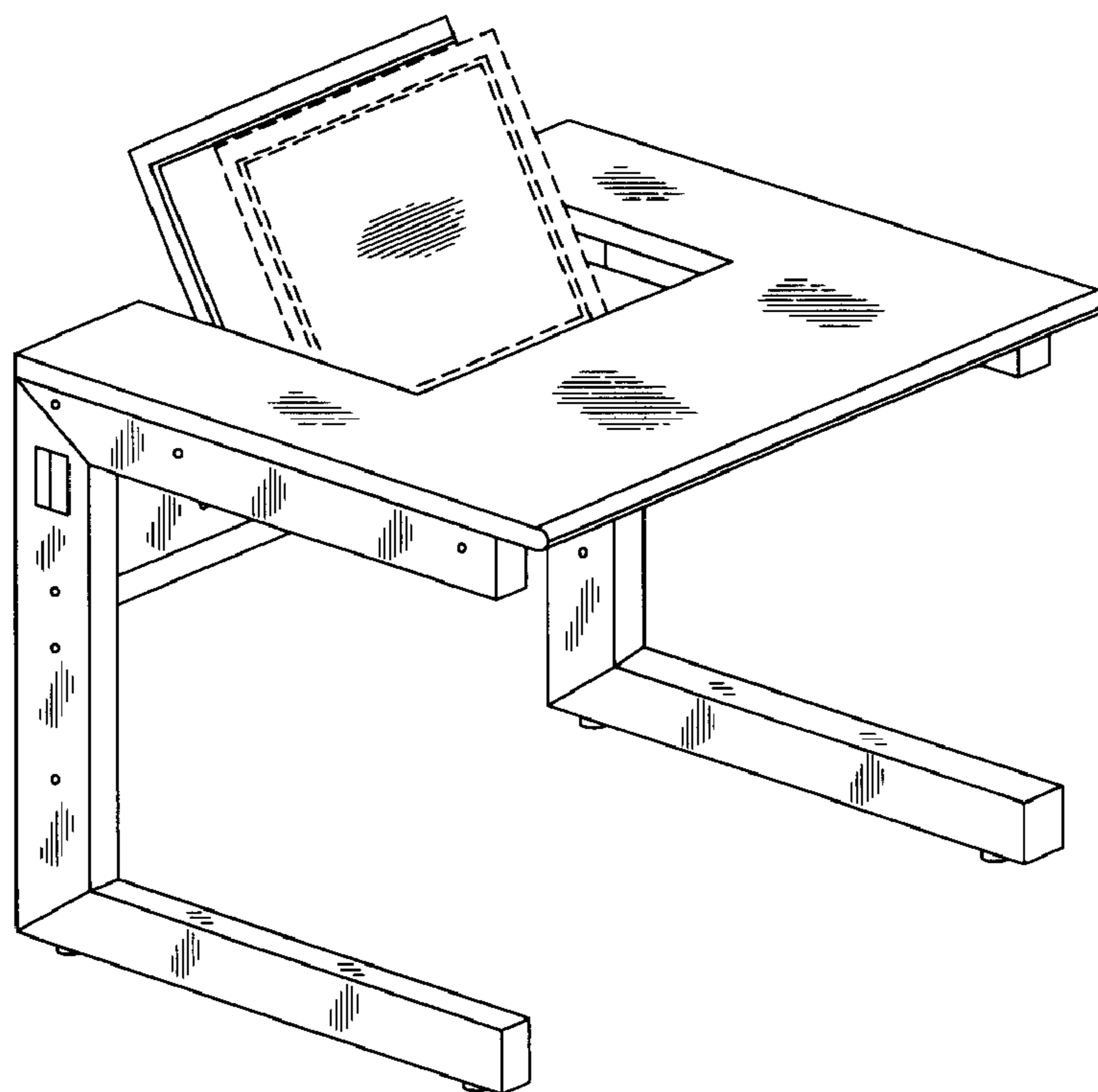


FIG. 2



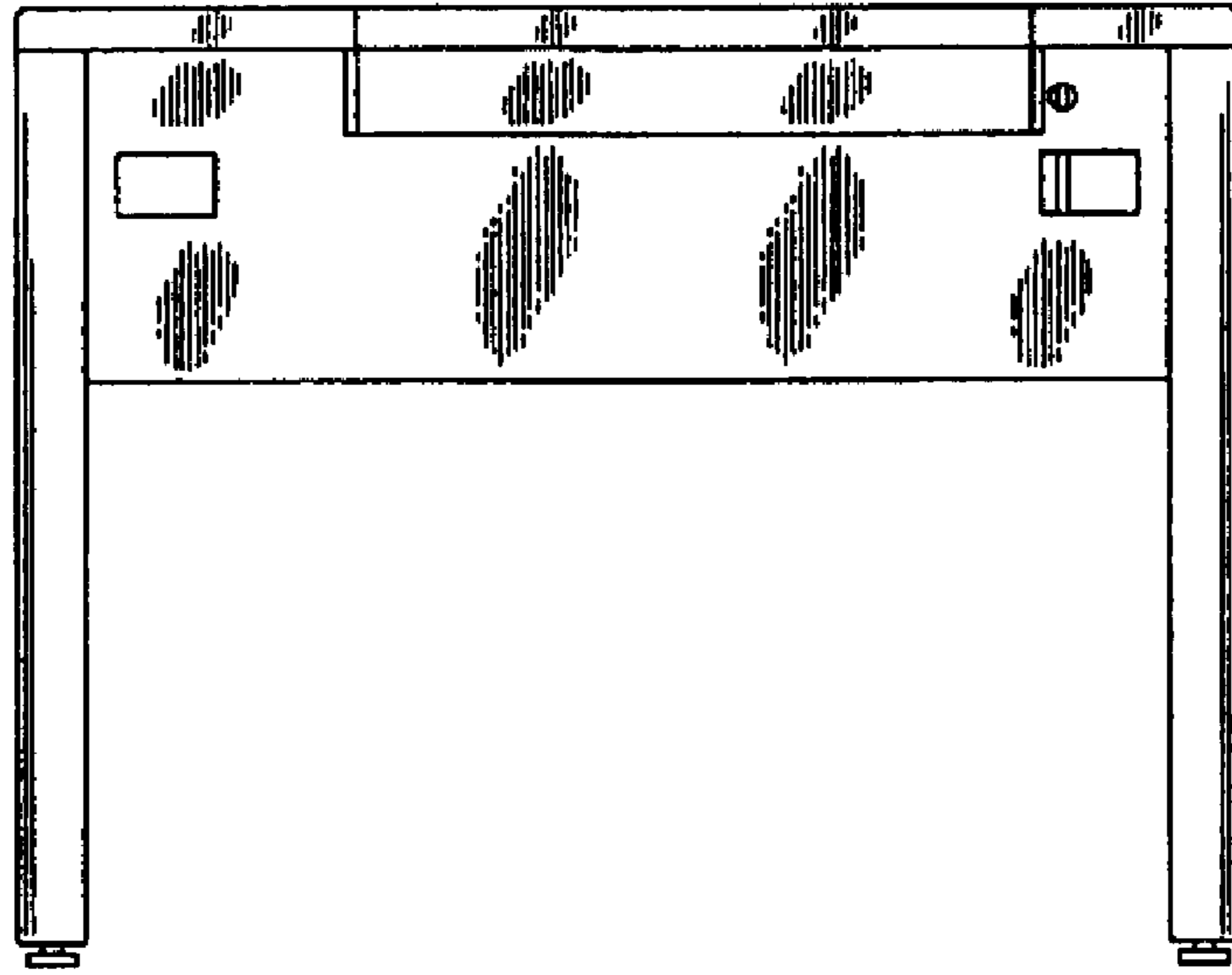


FIG. 3

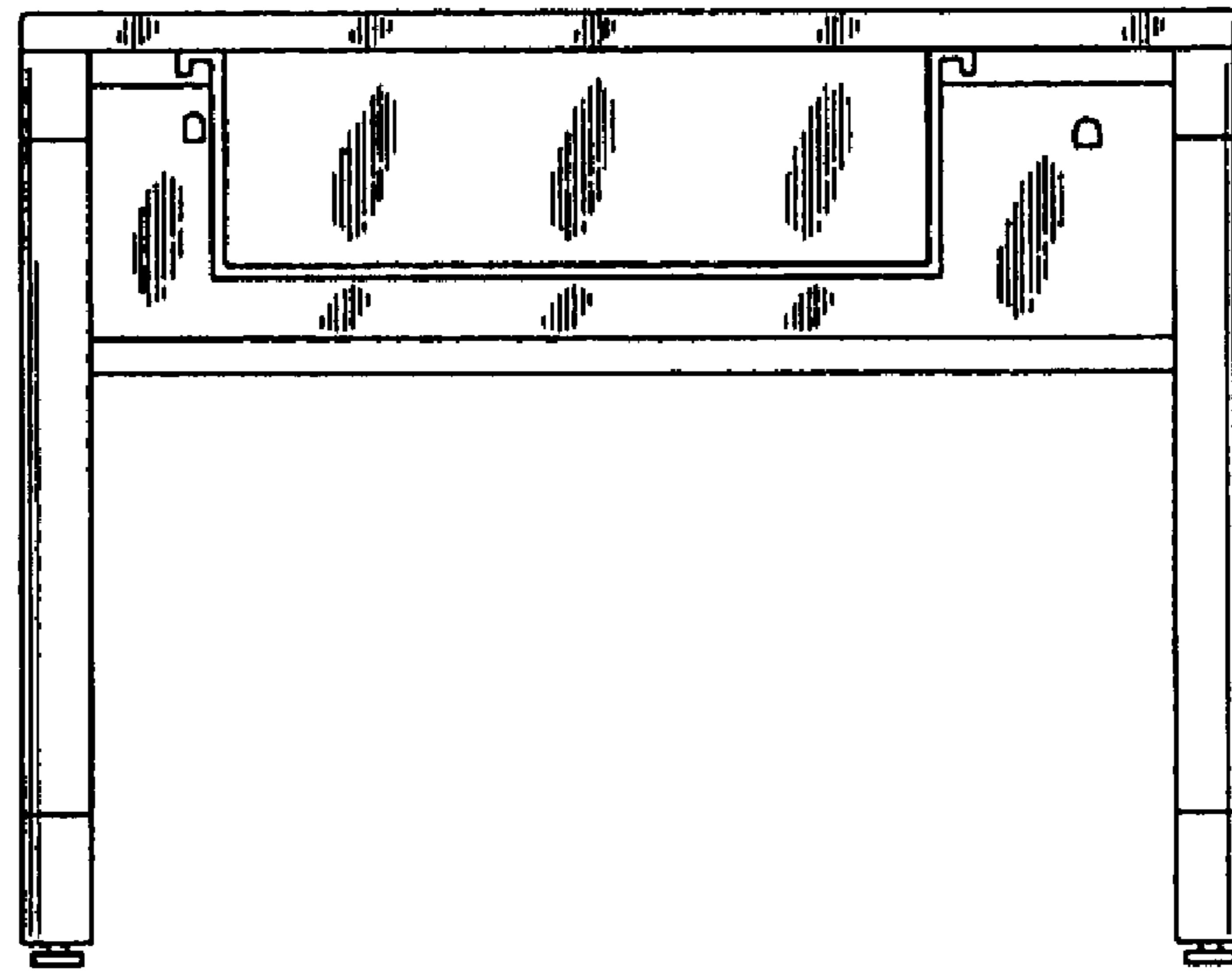


FIG. 4

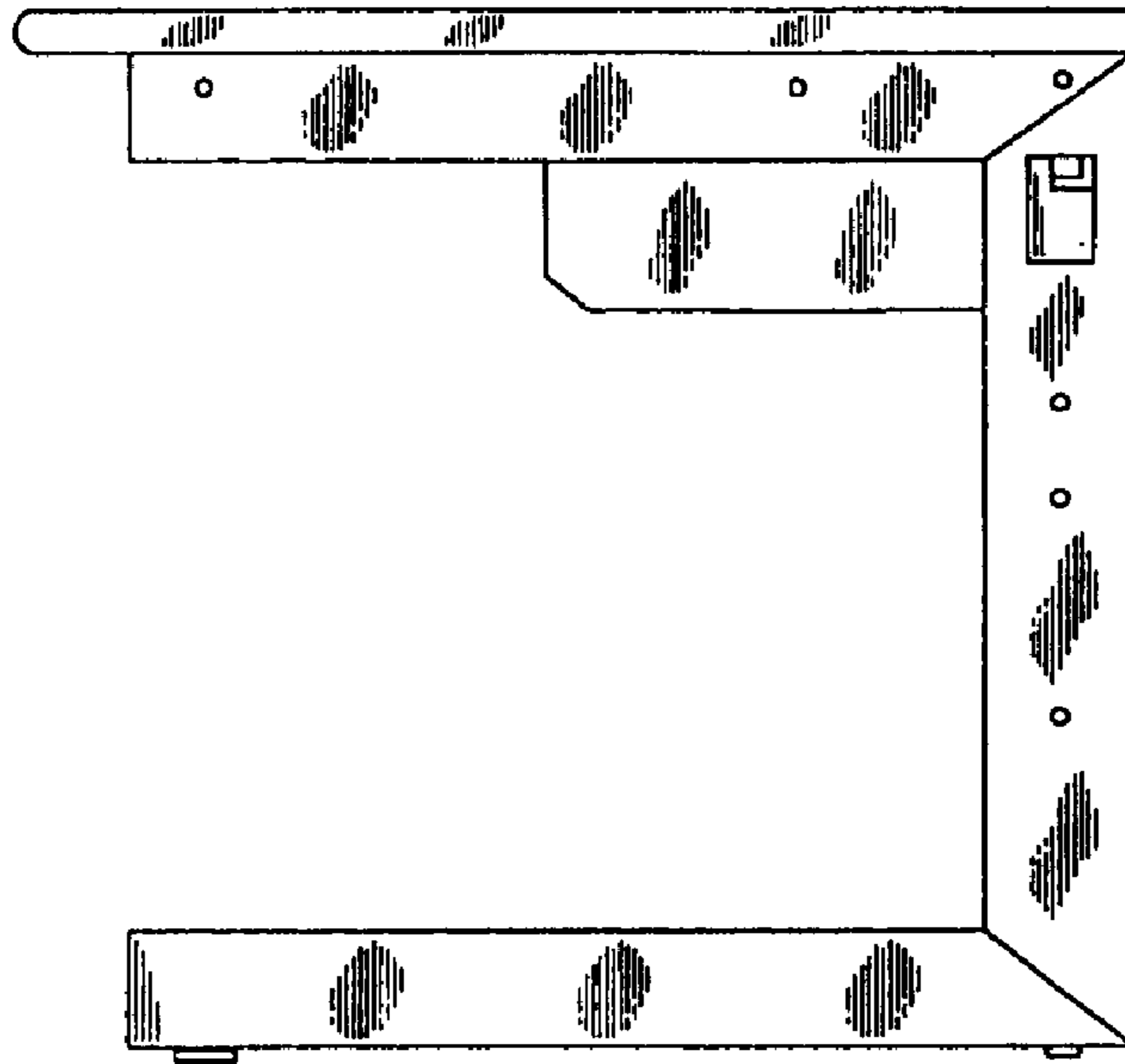


FIG. 5

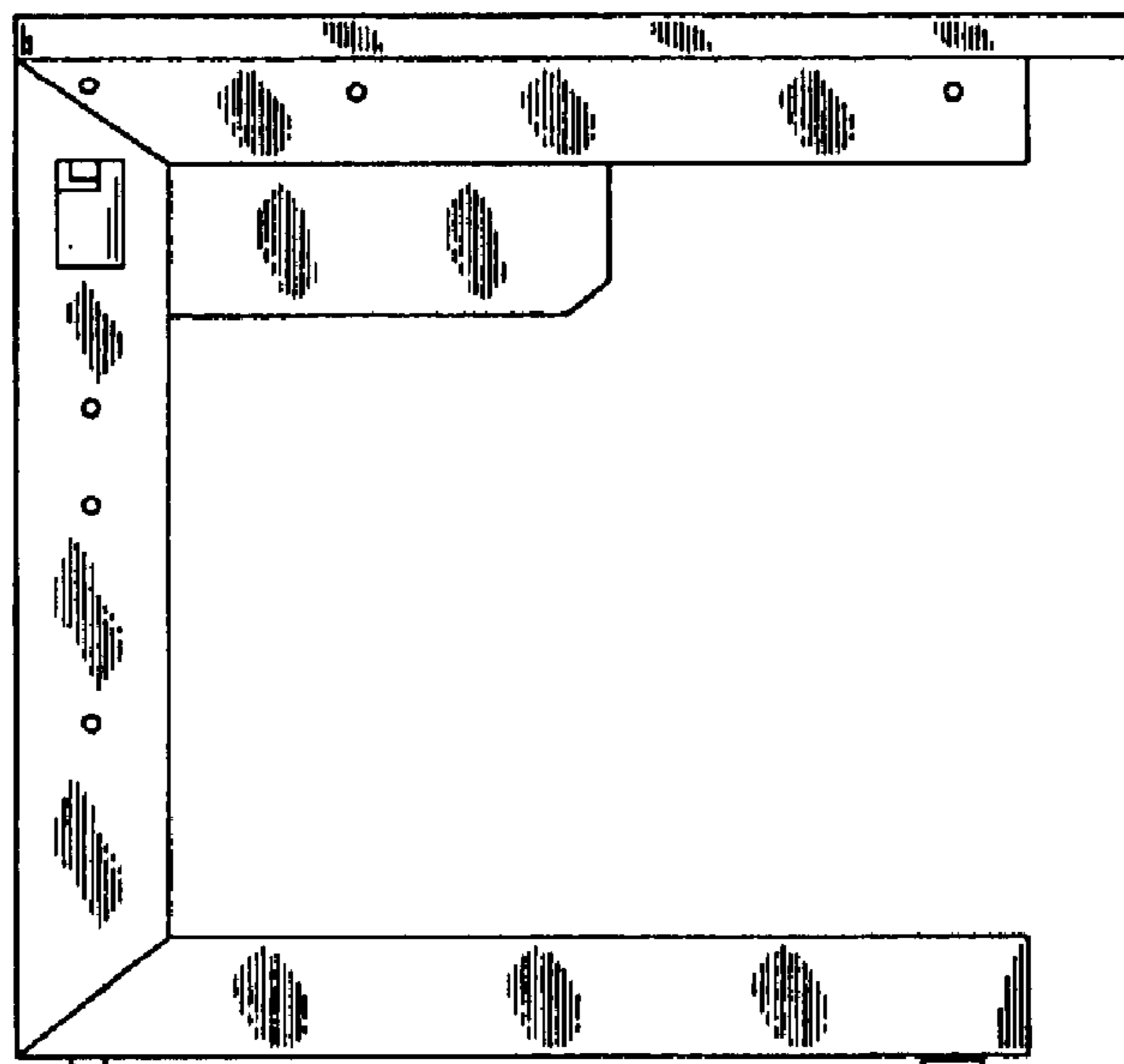


FIG. 6

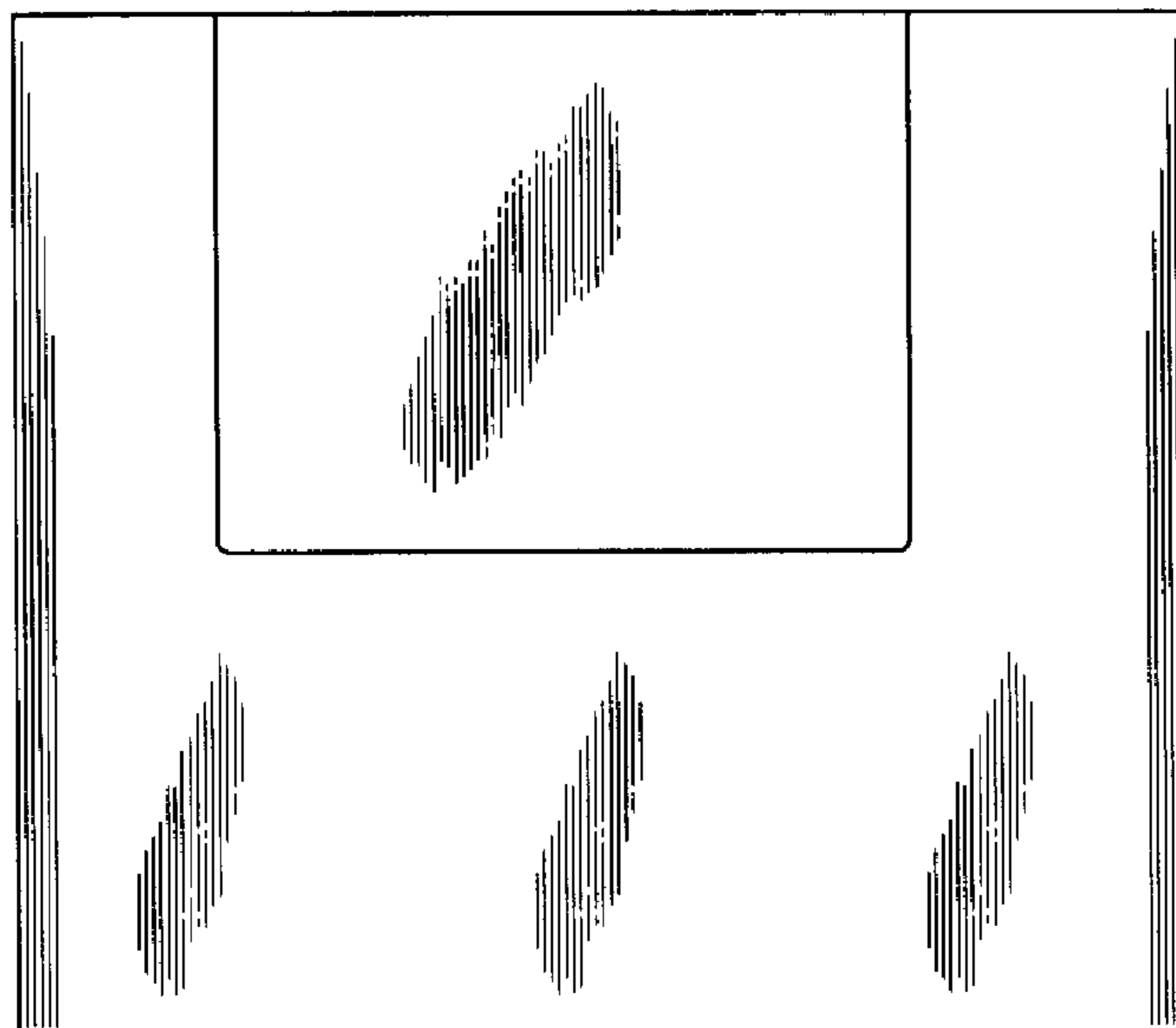


FIG. 7

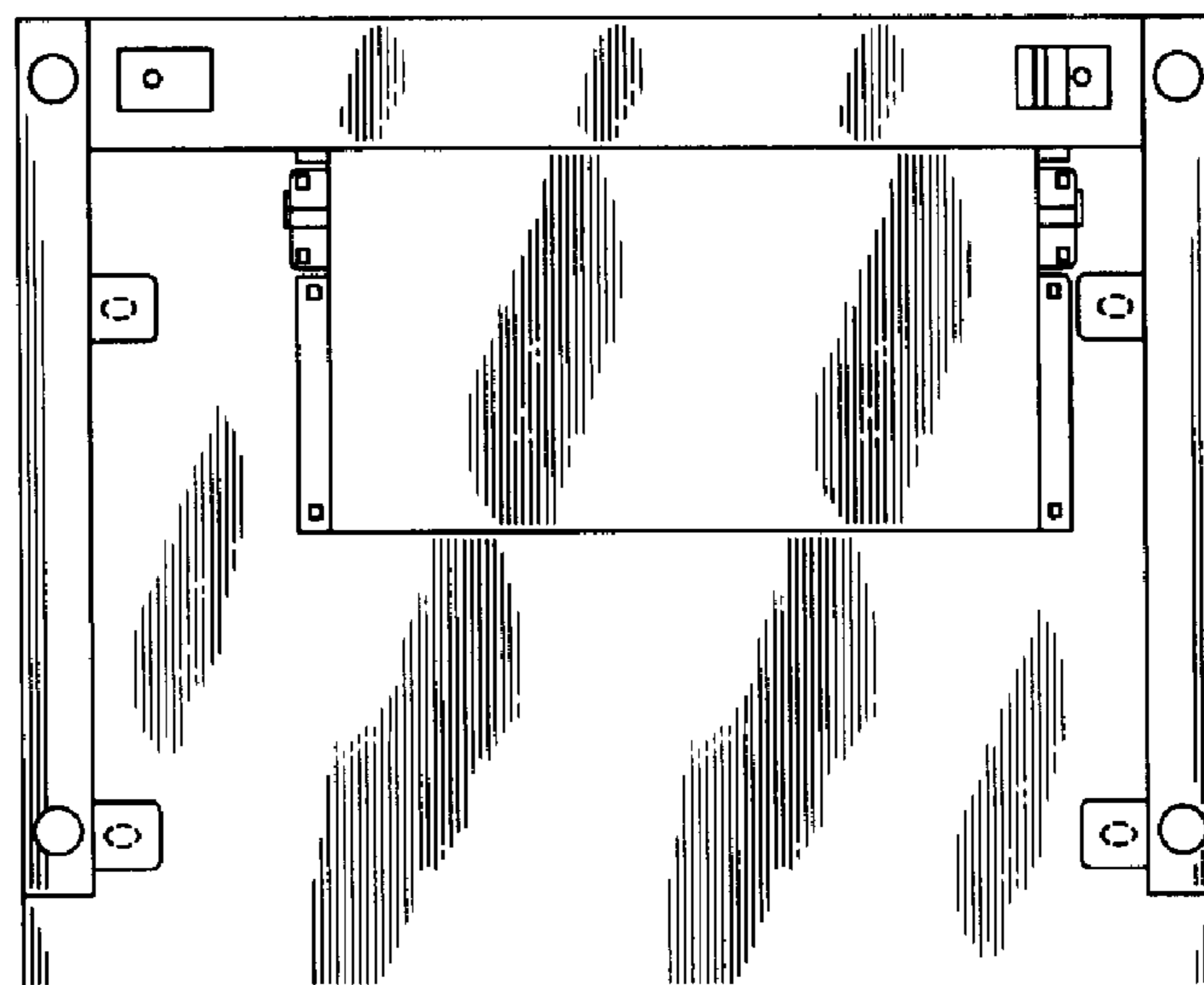


FIG. 8

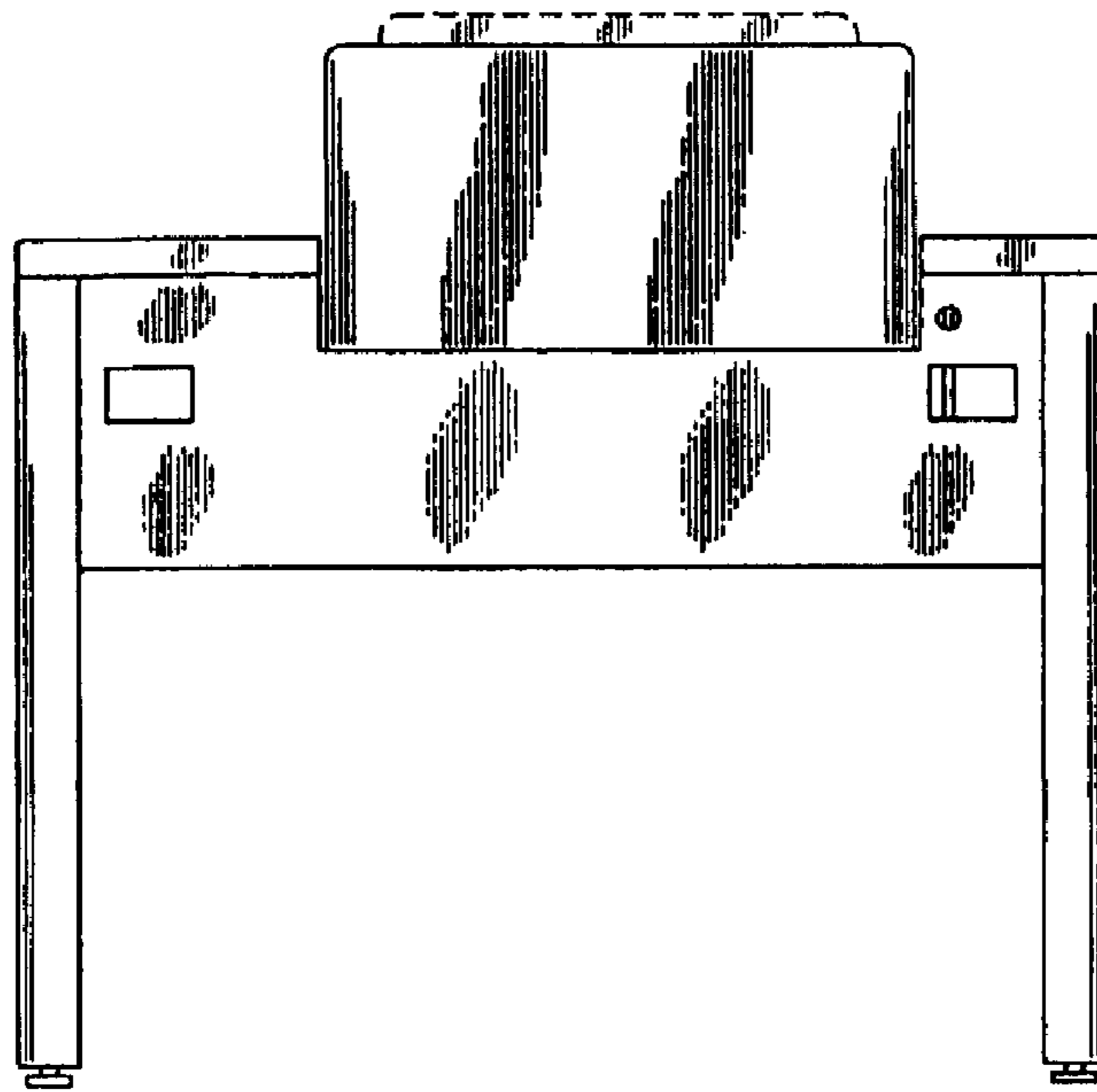


FIG. 9

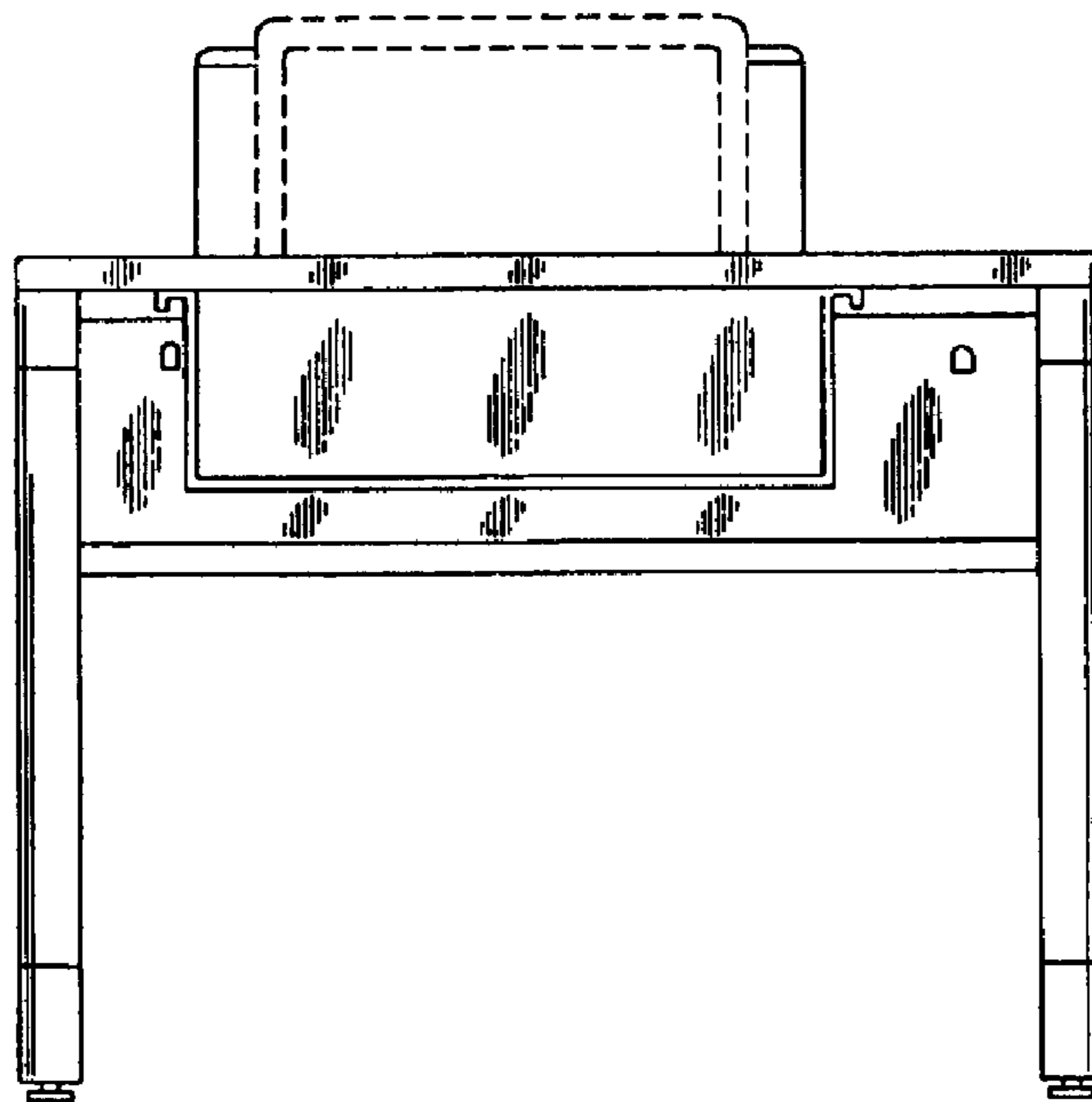


FIG. 10

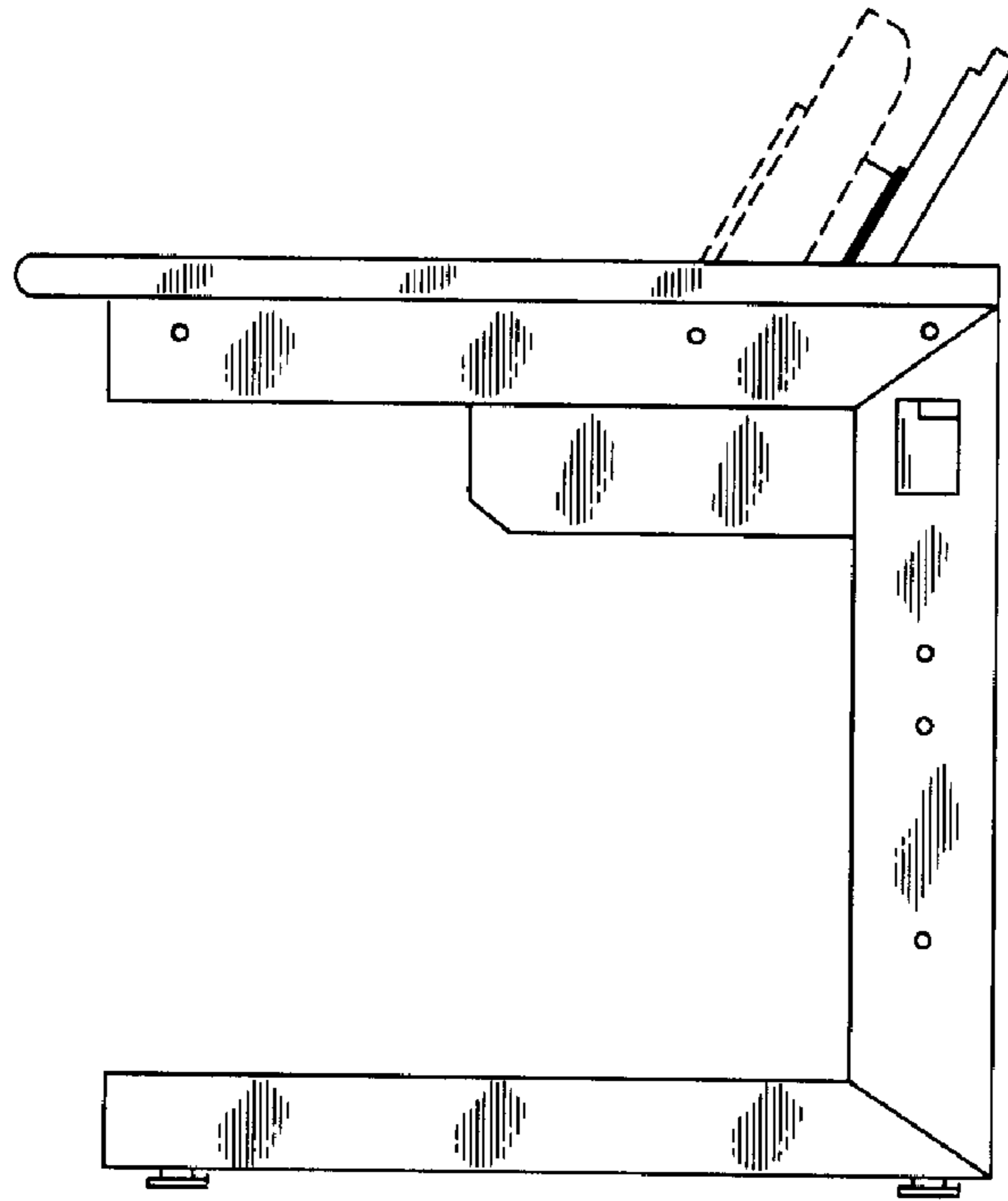


FIG. 11

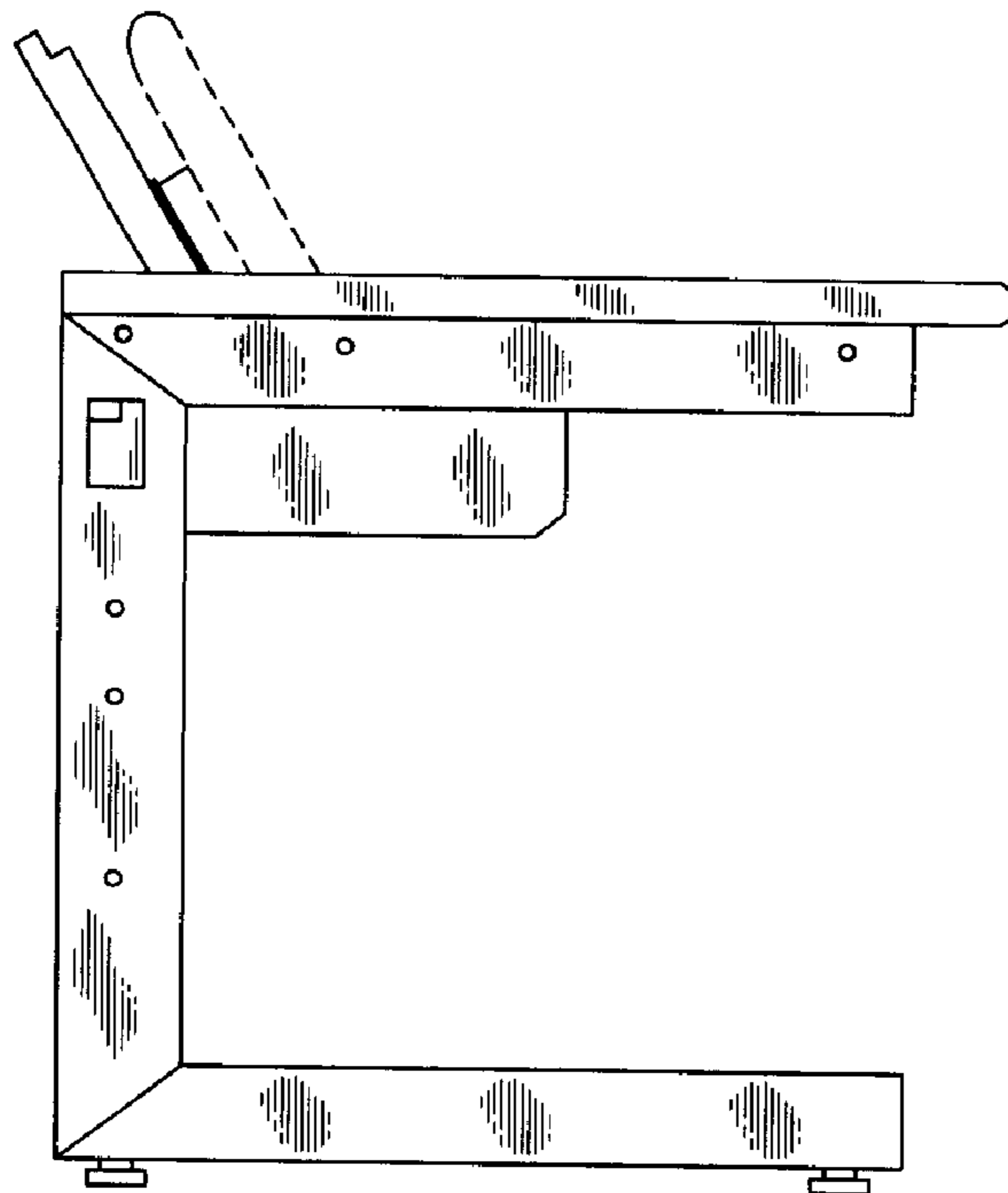


FIG. 12

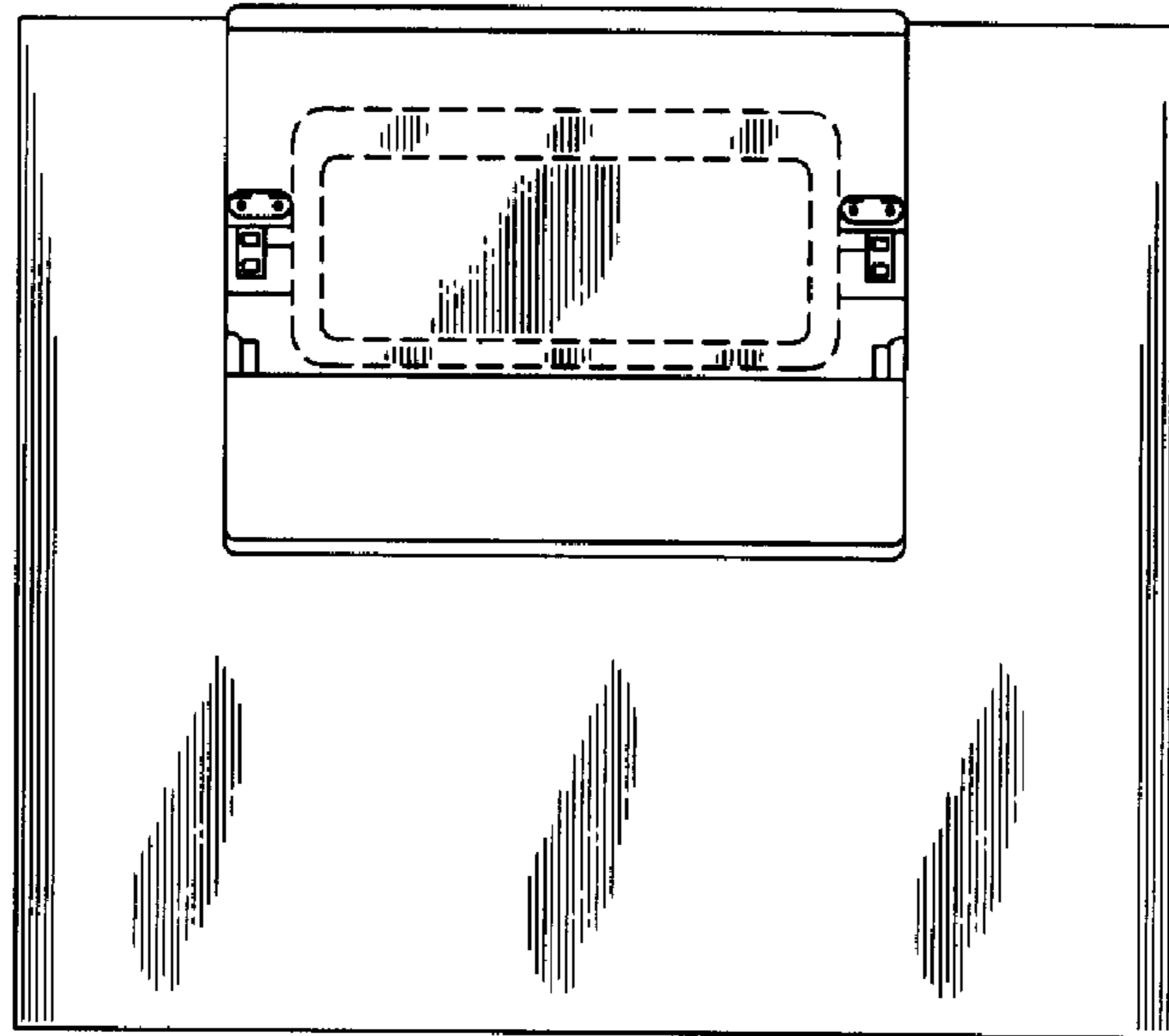


FIG. 13

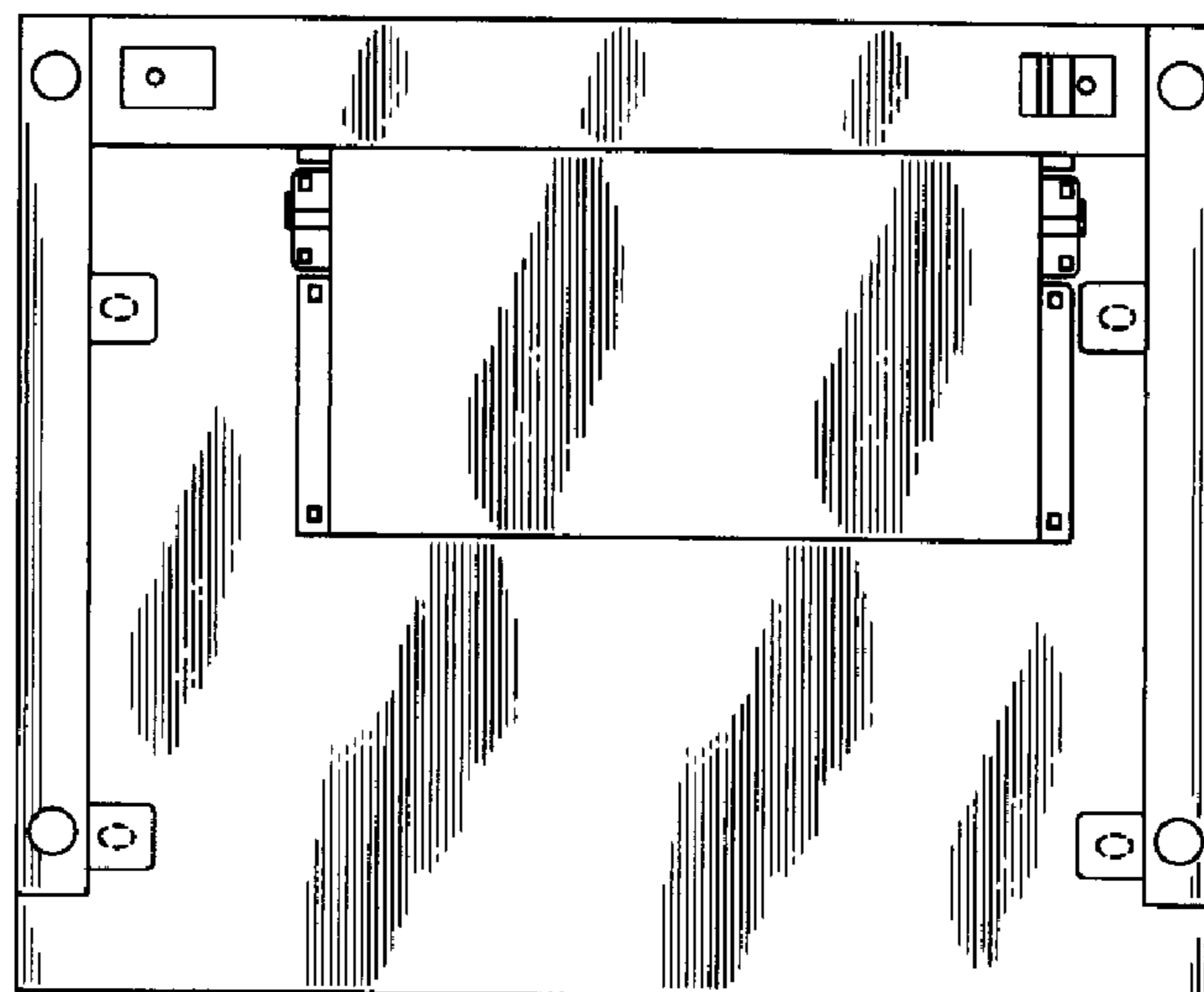


FIG. 14