



US00D521768S

(12) **United States Design Patent**  
**Black**

(10) **Patent No.:** **US D521,768 S**

(45) **Date of Patent:** **\*\* May 30, 2006**

(54) **BED**

(75) **Inventor:** **John Black**, Greensboro, NC (US)

(73) **Assignee:** **Bernhardt, L.L.C.**, Lenoir, NC (US)

(\*\*) **Term:** **14 Years**

(21) **Appl. No.:** **29/223,596**

(22) **Filed:** **Feb. 16, 2005**

(51) **LOC (8) Cl.** ..... **06-01**

(52) **U.S. Cl.** ..... **D6/393**

(58) **Field of Classification Search** ..... D6/382,  
D6/389, 392-395, 505-508; 5/53.1, 907,  
5/279.1, 280, 281, 310

See application file for complete search history.

(56) **References Cited**

**U.S. PATENT DOCUMENTS**

D152,894 S	*	3/1949	Lubberts	.....	D6/394
D165,074 S	*	11/1951	Herrmann	.....	D6/394
D443,432 S		6/2001	Vaaler	.....	D6/393
D459,608 S		7/2002	O'Hare et al.	.....	D6/393
D470,330 S		2/2003	Vaaler	.....	D6/393
D497,503 S	*	10/2004	Rozenboom	.....	D6/505

D503,860 S	*	4/2005	Peterson et al.	.....	D6/393
D509,677 S	*	9/2005	Junbeau et al.	.....	D6/393
D510,494 S	*	10/2005	Juneau et al.	.....	D6/505

**OTHER PUBLICATIONS**

Early 19th Century, wood carved bed, Auction Catalog, p. 124.

“Siena” poster bed—undated.

“Java” bed, Mar./Apr. 1998.

\* cited by examiner

*Primary Examiner*—Janice Seeger

(74) *Attorney, Agent, or Firm*—MacCord Mason PLLC

(57) **CLAIM**

The ornamental design for a bed, as shown and described.

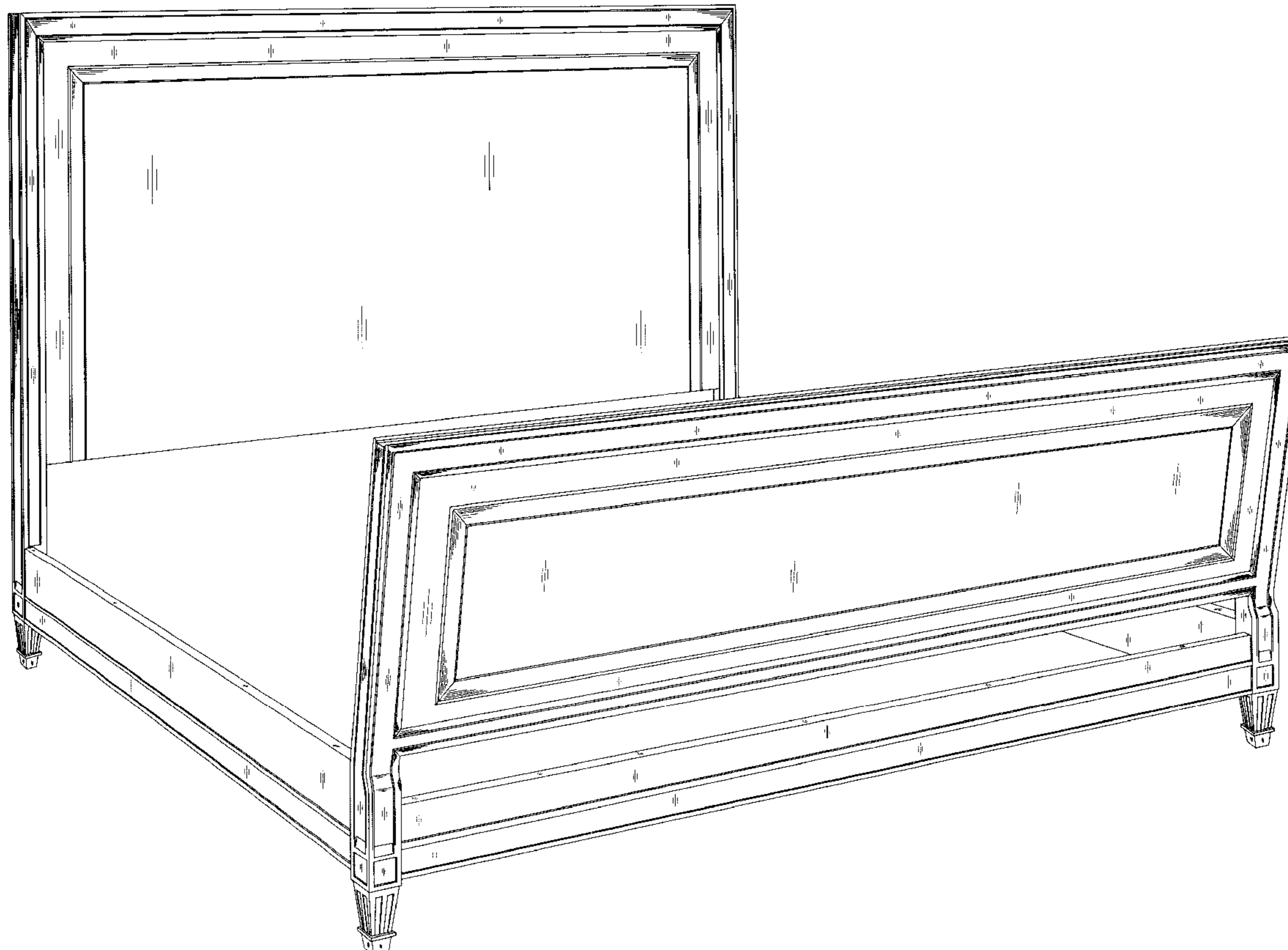
**DESCRIPTION**

FIG. 1 is a front perspective view of a bed showing my new design;

FIG. 2 is a front view thereof; and,

FIG. 3 is a side view, the opposite side being a mirror image thereof.

**1 Claim, 3 Drawing Sheets**



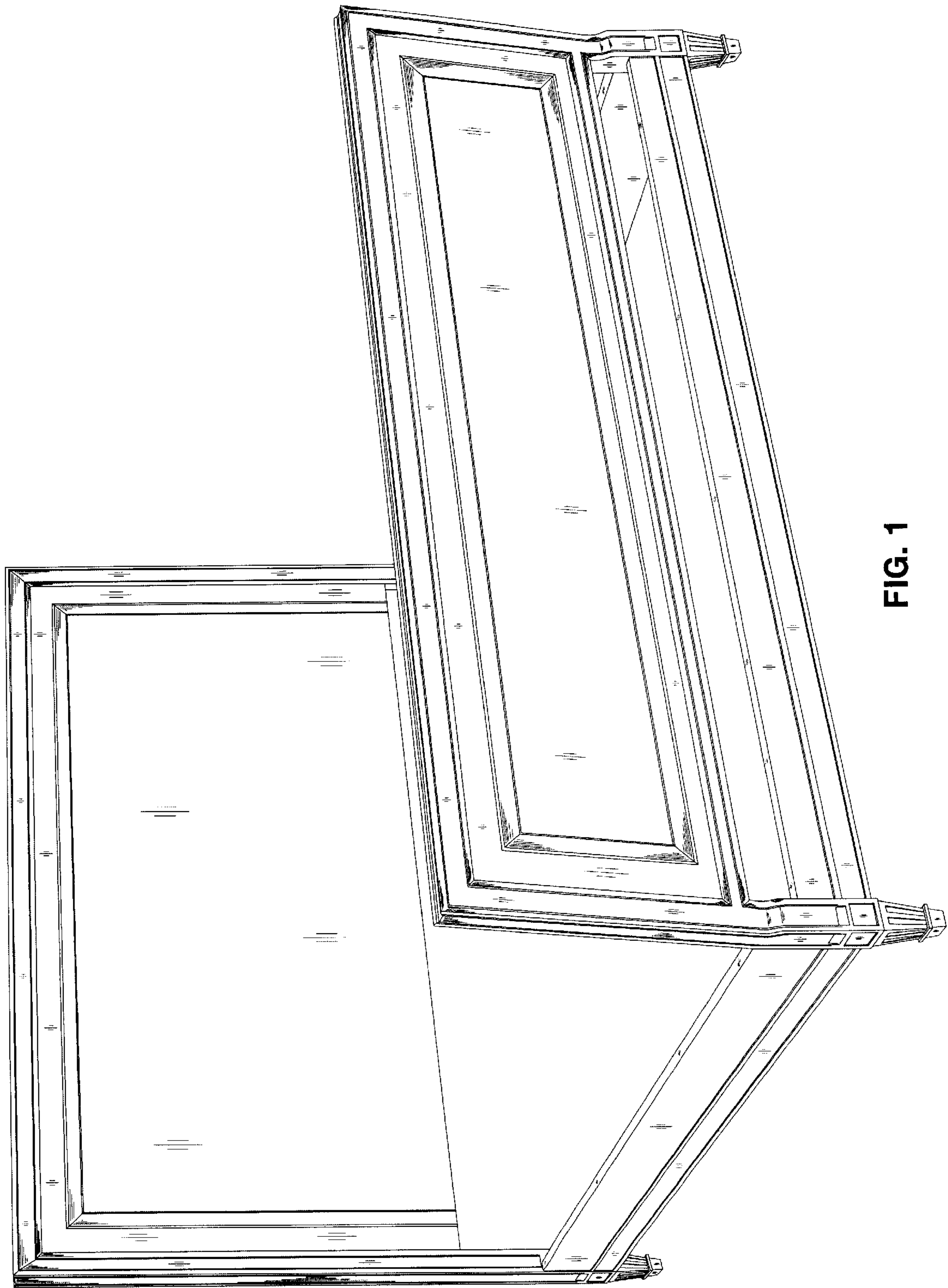


FIG. 1

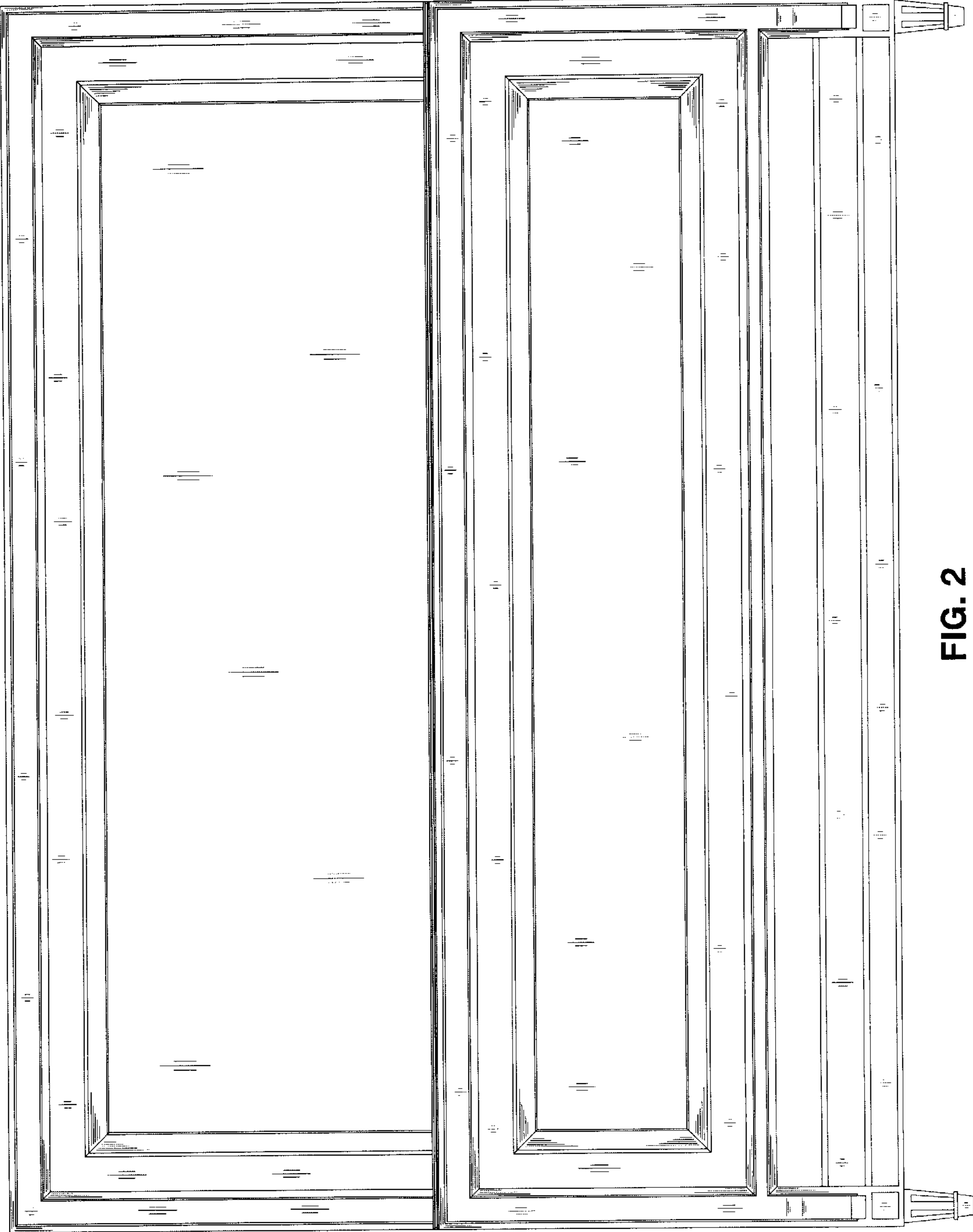


FIG. 2

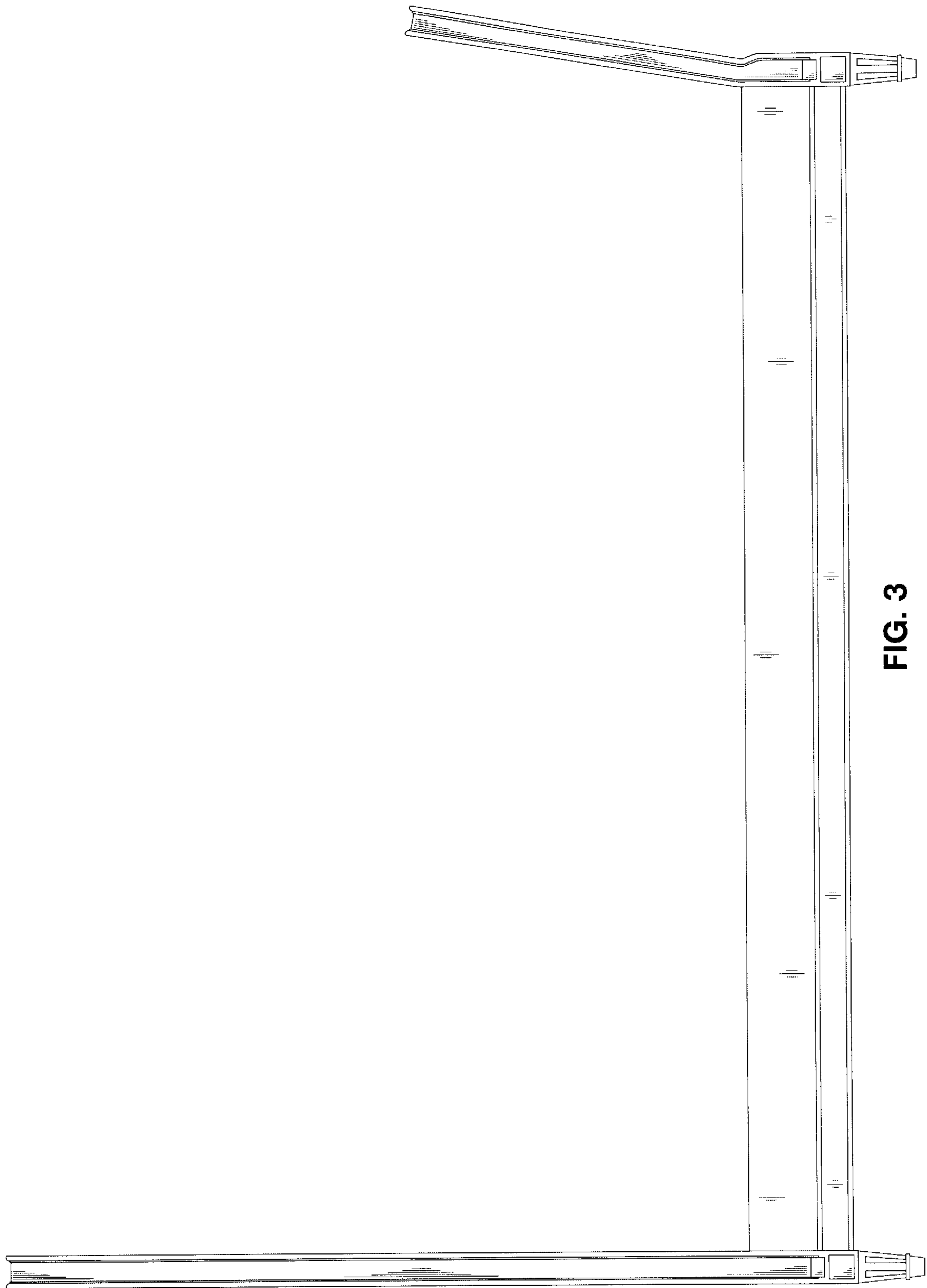


FIG. 3