

US00D521767S

(12) **United States Design Patent**
Boudreau

(10) **Patent No.:** **US D521,767 S**

(45) **Date of Patent:** **** May 30, 2006**

(54) **BED**
(75) **Inventor:** **Marc Boudreau, Ste-Foy (CA)**

(73) **Assignee:** **Baronet, Inc. (CA)**

(**) **Term:** **14 Years**

(21) **Appl. No.:** **29/213,965**

(22) **Filed:** **Sep. 24, 2004**

(51) **LOC (8) Cl.** **06-01**

(52) **U.S. Cl.** **D6/393**

(58) **Field of Classification Search** D6/382,
D6/388, 389, 393-395, 505-508; 5/53.1,
5/279.1, 280, 281, 310, 907

See application file for complete search history.

(56) **References Cited**

U.S. PATENT DOCUMENTS

| | | | | | |
|------------|---|---------|---------------|-------|---------|
| D58,387 S | * | 7/1921 | Joynes | | D6/393 |
| D178,851 S | * | 9/1956 | Van Koert | | D6/393 |
| D338,744 S | * | 8/1993 | Marlon et al. | | D30/118 |
| D387,576 S | * | 12/1997 | Tilley | | D6/384 |

| | | | | | |
|-------------|---|--------|---------------|-------|--------|
| 5,790,994 A | * | 8/1998 | Leonard | | 5/53.1 |
| D488,317 S | * | 4/2004 | Wanek et al. | | D6/393 |
| D493,975 S | * | 8/2004 | Juneau et al. | | D6/393 |

* cited by examiner

Primary Examiner—Janice E. Seeger

(74) *Attorney, Agent, or Firm*—SAIDMAN DesignLaw Group

(57) **CLAIM**

The ornamental design for a bed, as shown and described.

DESCRIPTION

FIG. 1 is a perspective view of a bed showing my new design;

FIG. 2 is a top view thereof;

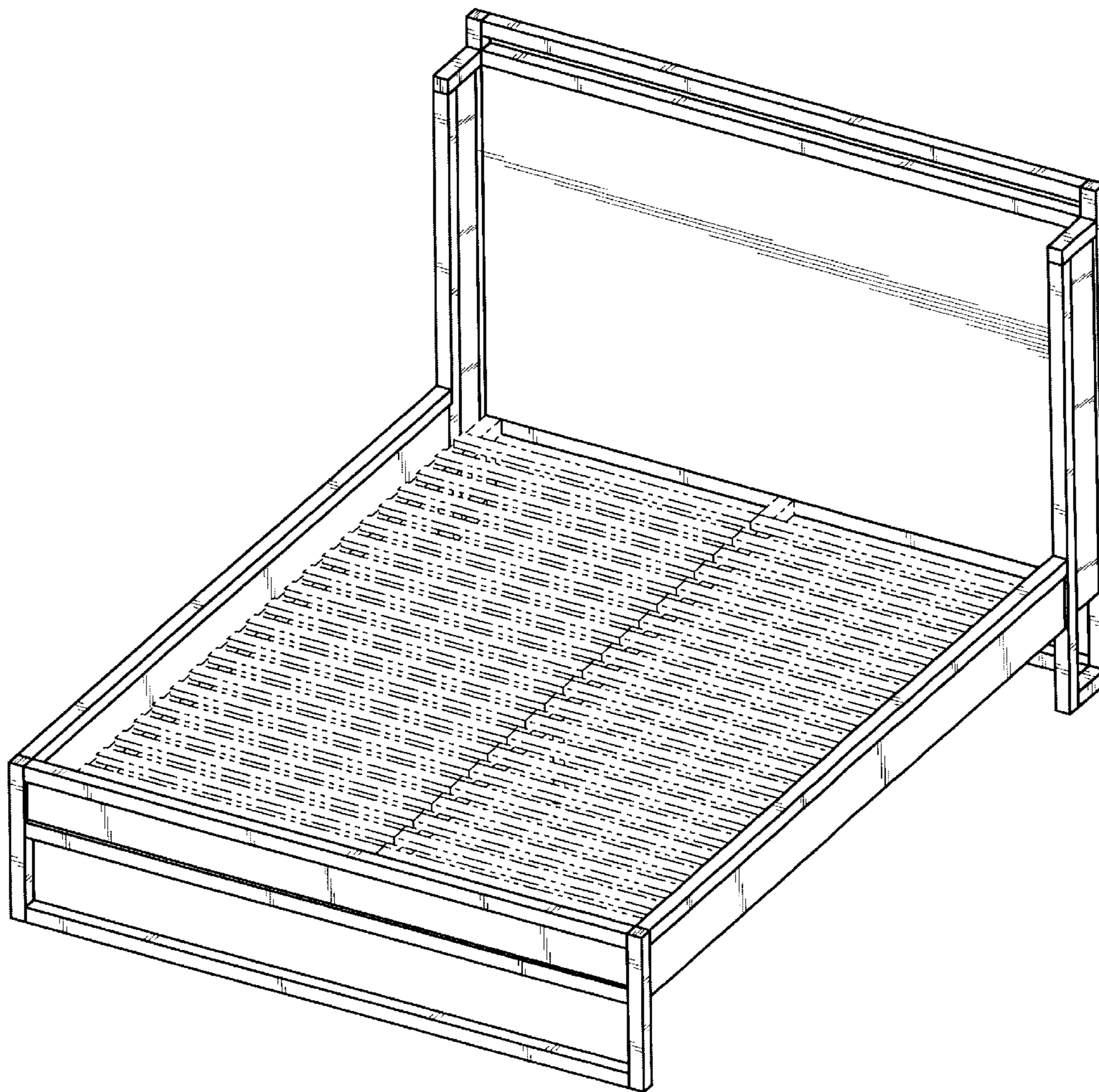
FIG. 3 is a front view thereof;

FIG. 4 is a rear view thereof; and,

FIG. 5 is a right-side view thereof, the left-side view being a mirror image.

The broken line showing of slats and the central leg are illustrative and form no part of the claimed design.

1 Claim, 4 Drawing Sheets



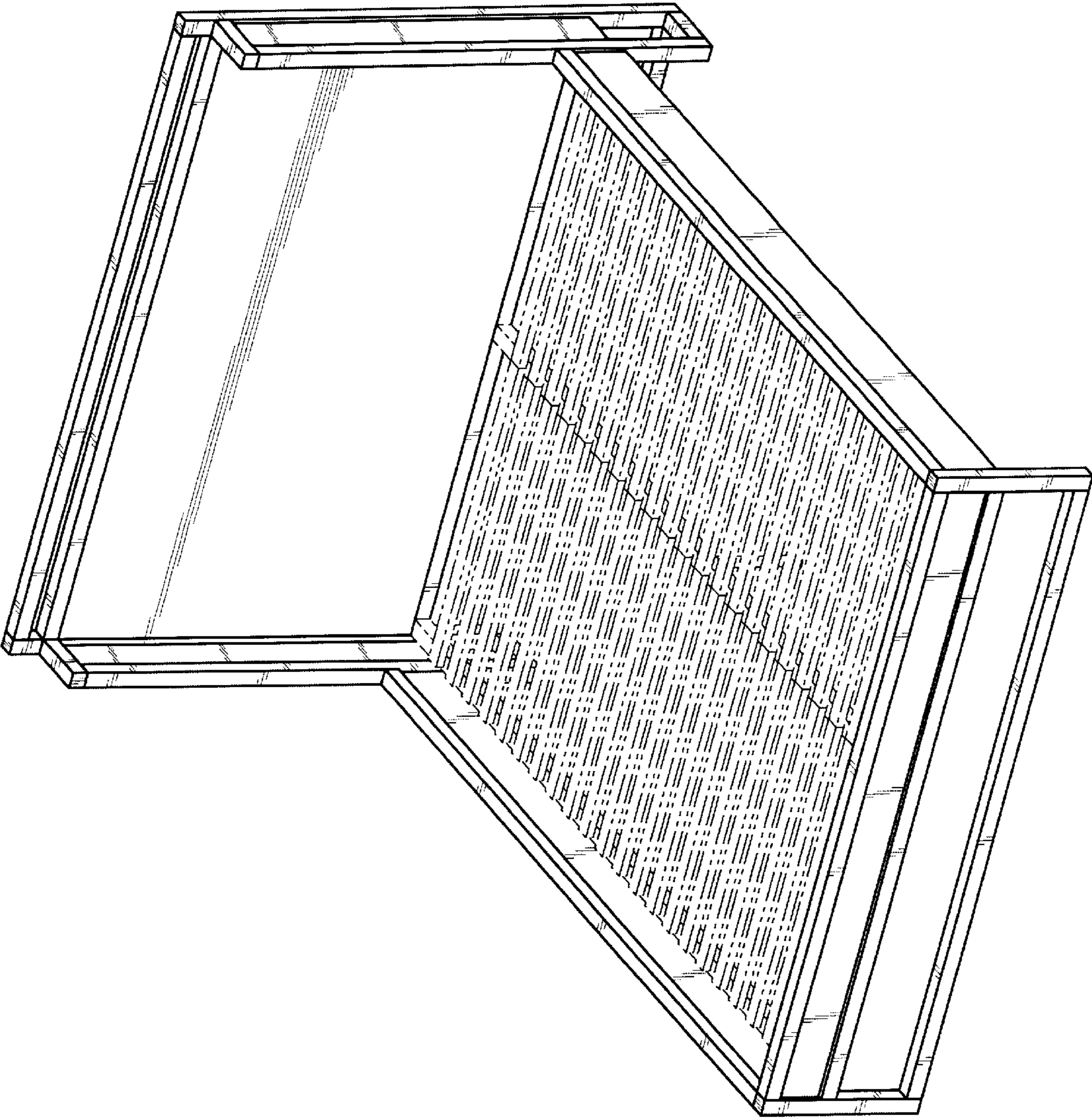


Fig. 1

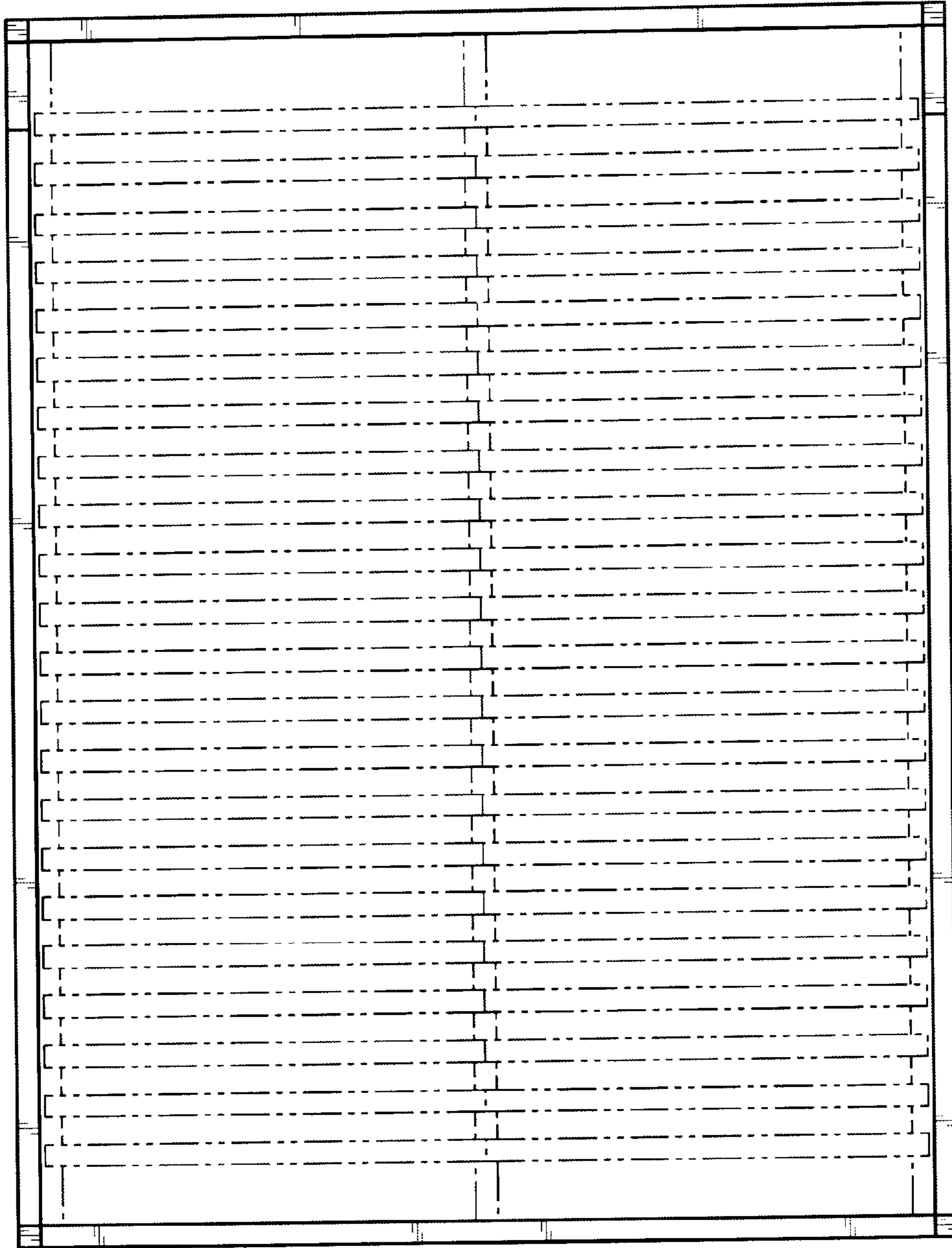


Fig. 2

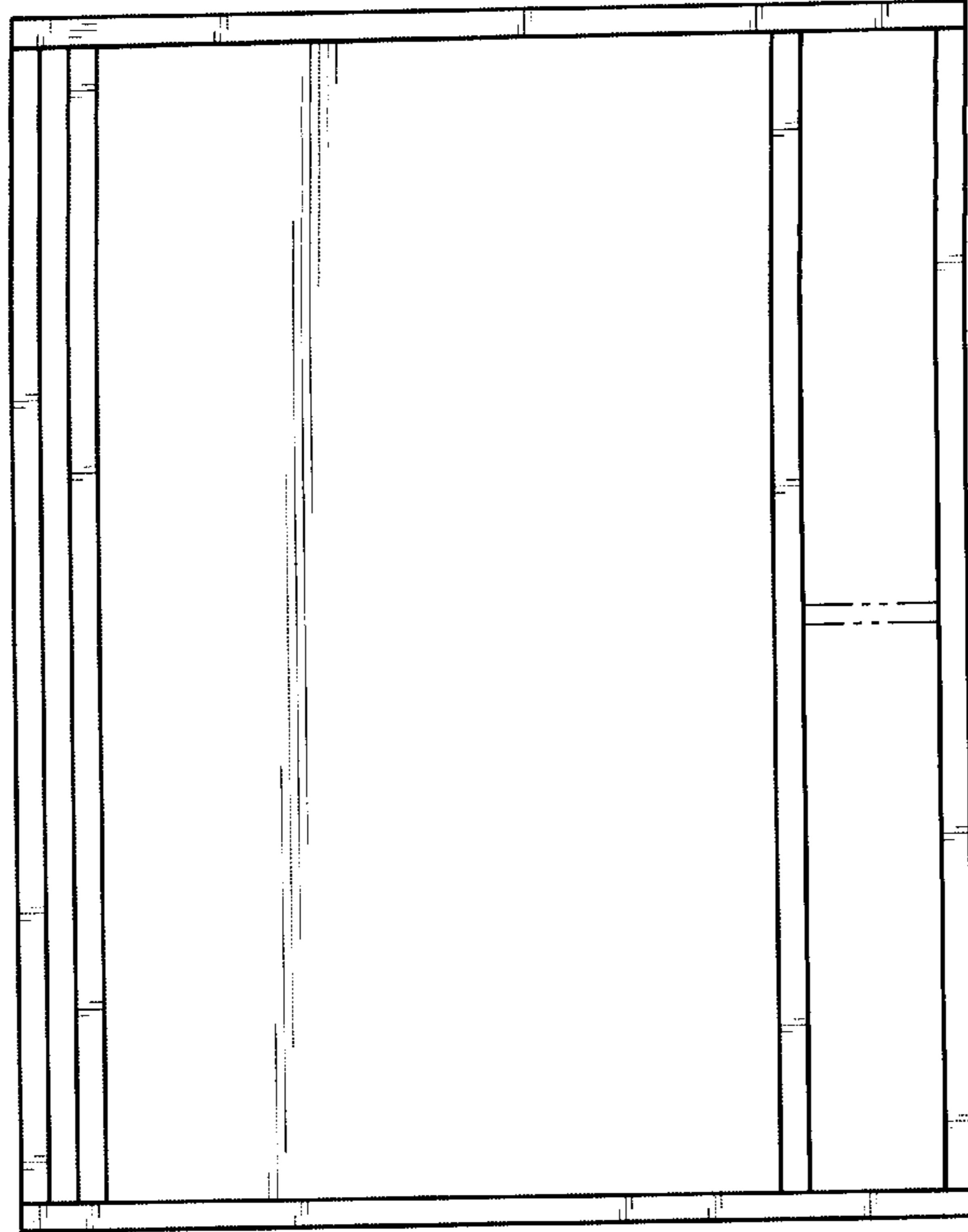


Fig. 4

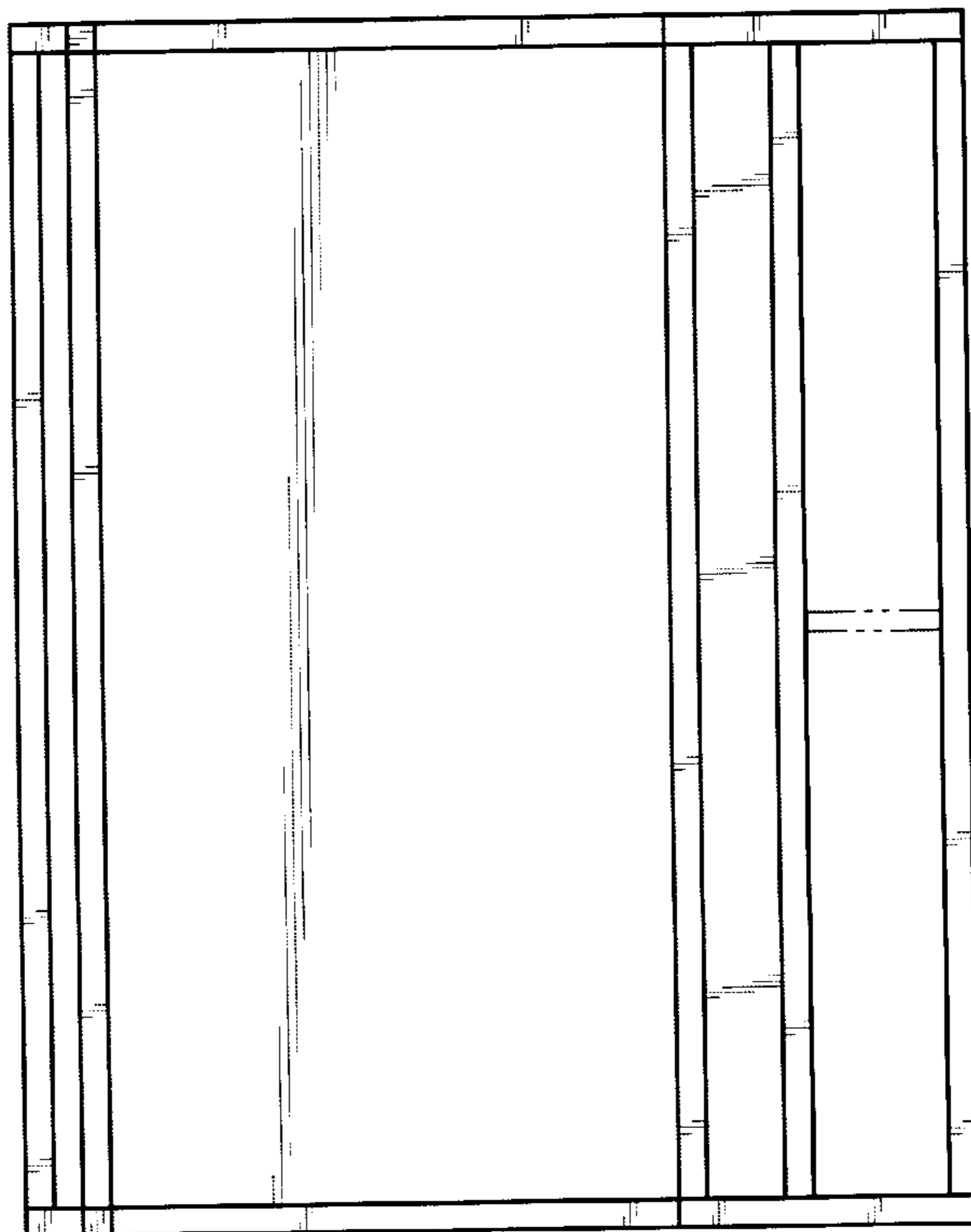


Fig. 3

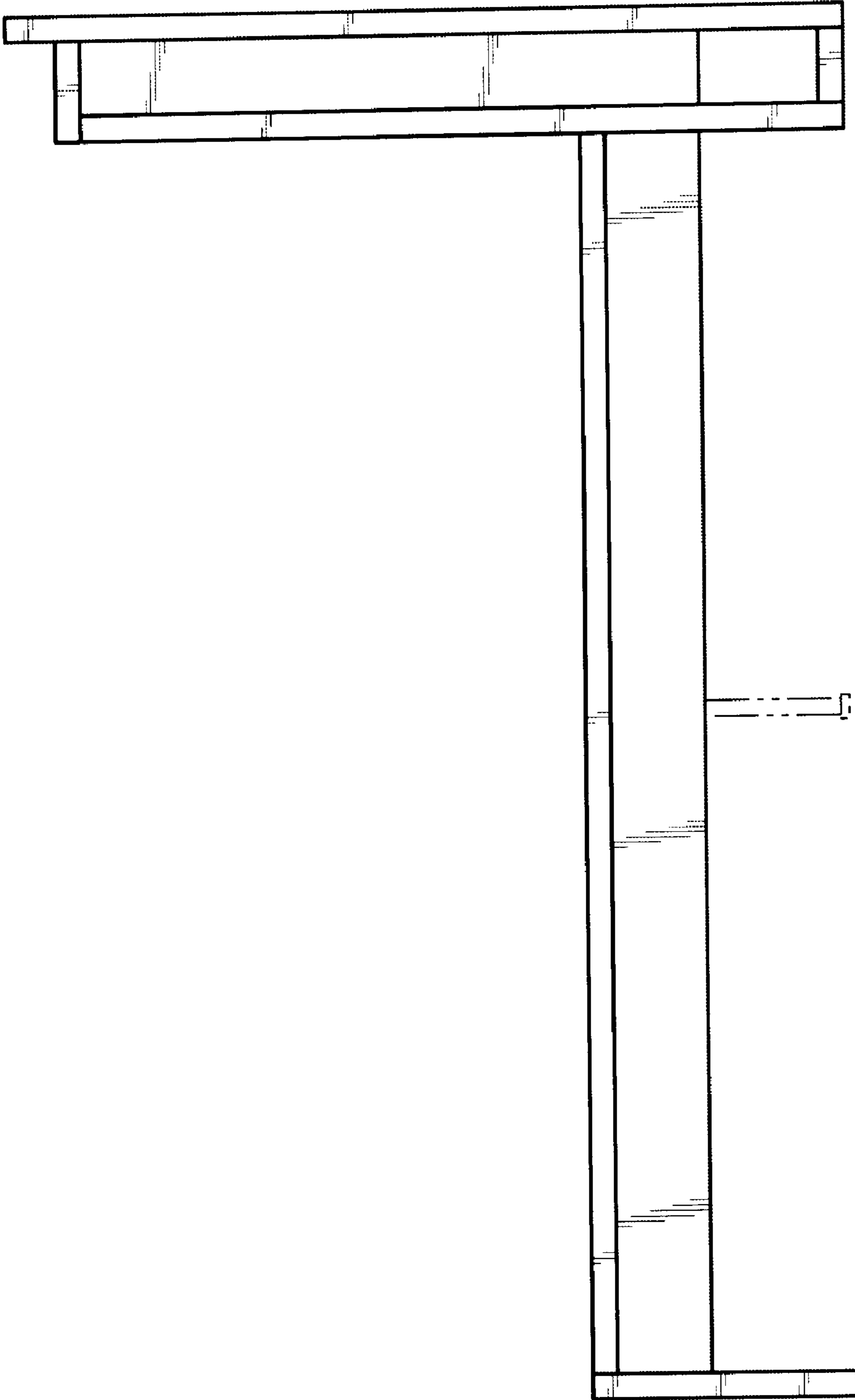


Fig. 5