

US00D521763S

(12) **United States Design Patent**
Wilmotte

(10) **Patent No.:** **US D521,763 S**

(45) **Date of Patent:** **** May 30, 2006**

(54) **BENCH**

(75) Inventor: **Jean-Michel Wilmotte**, Paris (FR)

(73) Assignee: **Jürgen Hess**, Schwenningen (DE)

(**) Term: **14 Years**

(21) Appl. No.: **29/206,500**

(22) Filed: **Jun. 1, 2004**

(30) **Foreign Application Priority Data**

Dec. 2, 2003 (DE) 4 03 07 583

(51) **LOC (8) Cl.** **06-01**

(52) **U.S. Cl.** **D6/381; D6/349; D6/355**

(58) **Field of Classification Search** D6/334,
D6/349, 355, 370, 374, 376, 379-381, 500-502;
297/232, 445.1, 446.1

See application file for complete search history.

(56) **References Cited**

U.S. PATENT DOCUMENTS

D213,496 S * 3/1969 Wormser D6/349

D247,529 S * 3/1978 Lamb D6/336

D365,937 S * 1/1996 Skalka D6/370

D423,239 S * 4/2000 Hornyak D6/355

D479,774 S * 9/2003 Wimberger D6/370

* cited by examiner

Primary Examiner—Caron D. Veynar

Assistant Examiner—Vy Nguyen

(74) *Attorney, Agent, or Firm*—McGlew & Tuttle, P.C.

(57) **CLAIM**

The ornamental design for a bench, as shown and described.

DESCRIPTION

FIG. 1 is a front perspective view of my new bench design;

FIG. 2 is a front side view thereof;

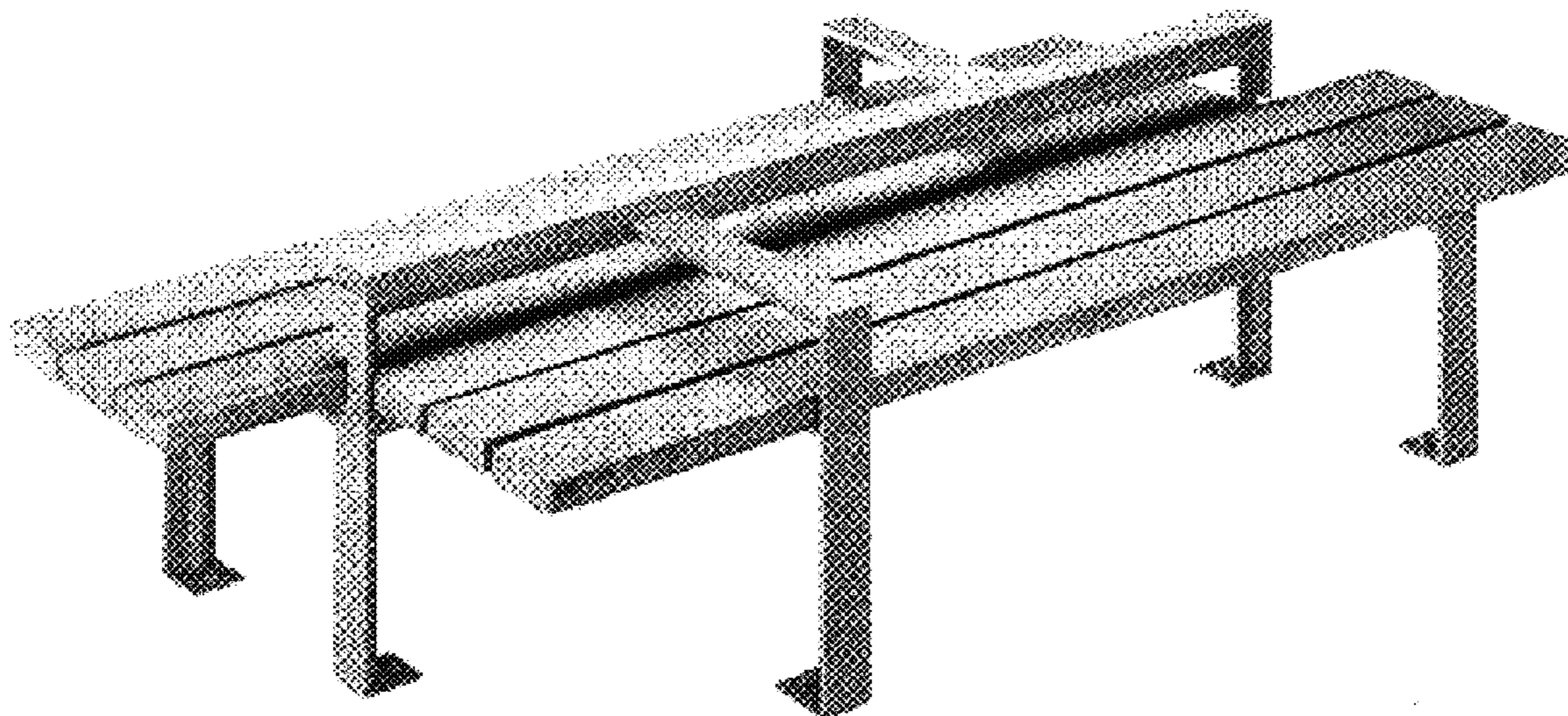
FIG. 3 is a rear side view thereof;

FIG. 4 is a top view thereof;

FIG. 5 is a left side view thereof; and,

FIG. 6 is a right side view thereof.

1 Claim, 2 Drawing Sheets



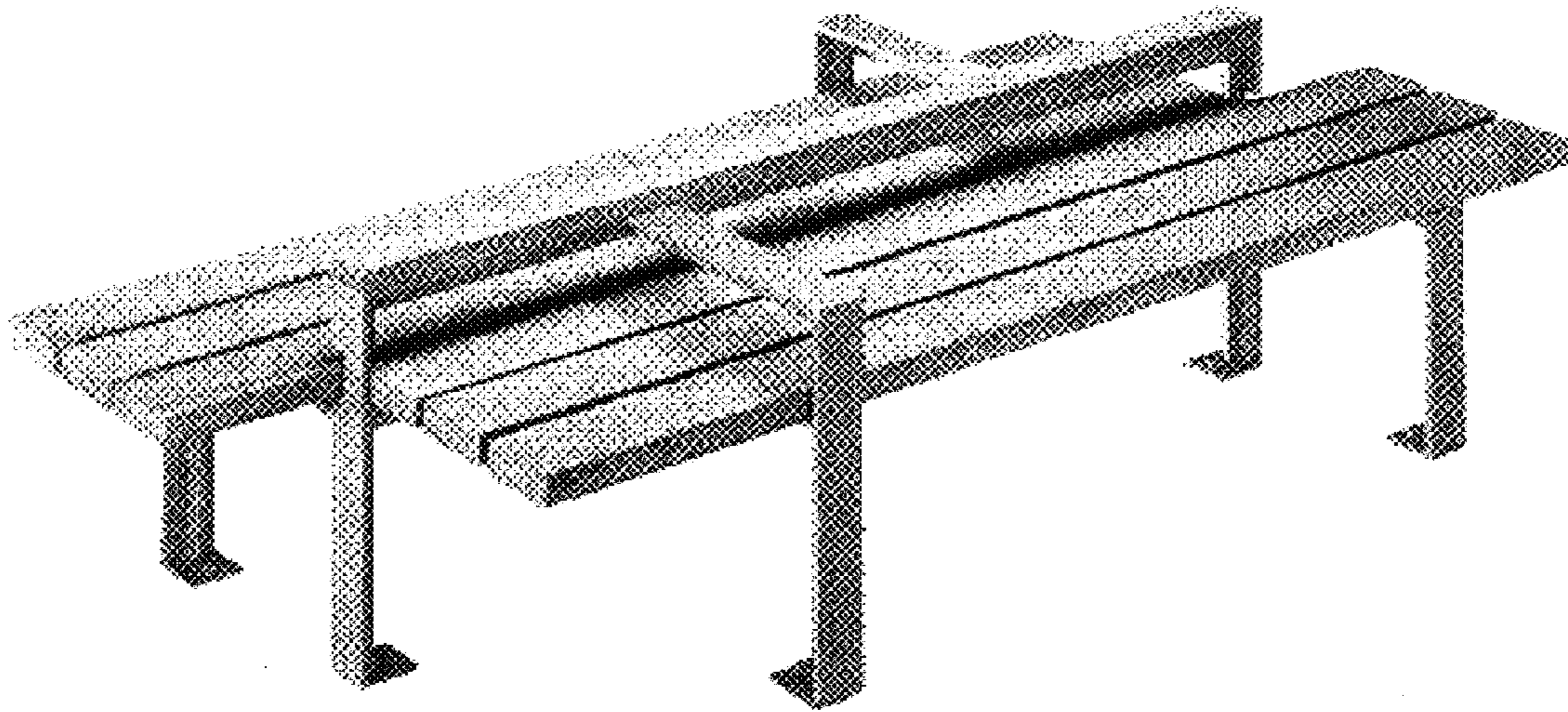


Fig. 1

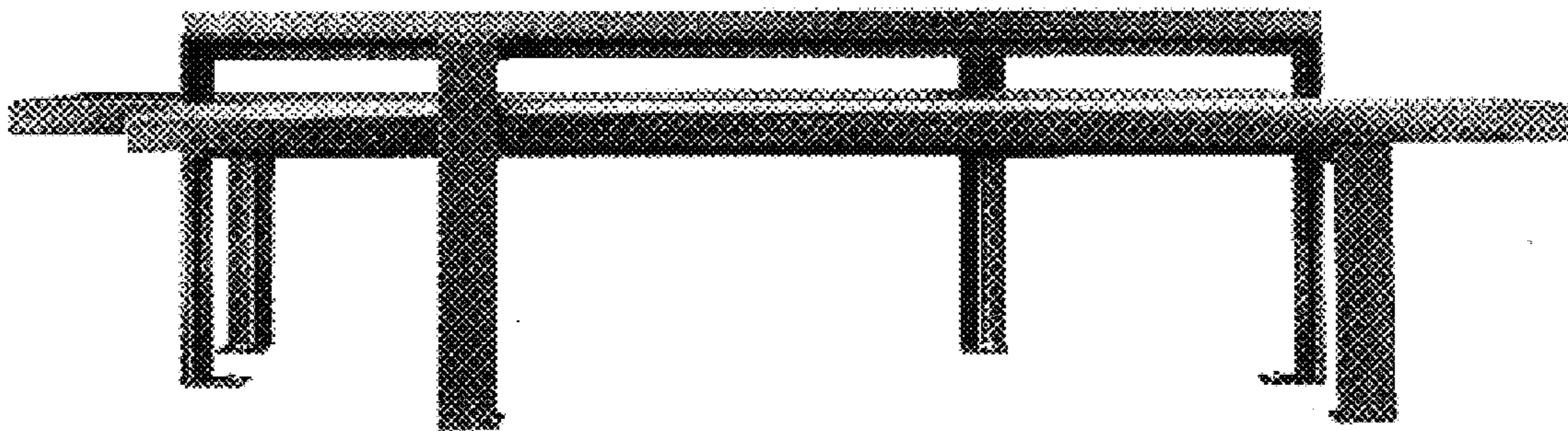


Fig. 2

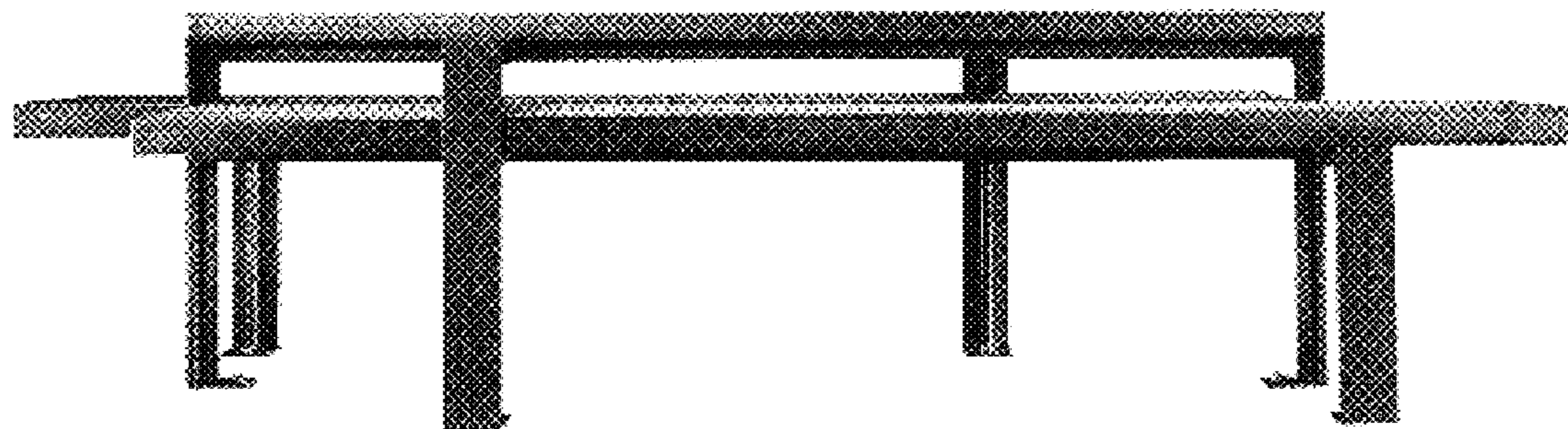


Fig. 3

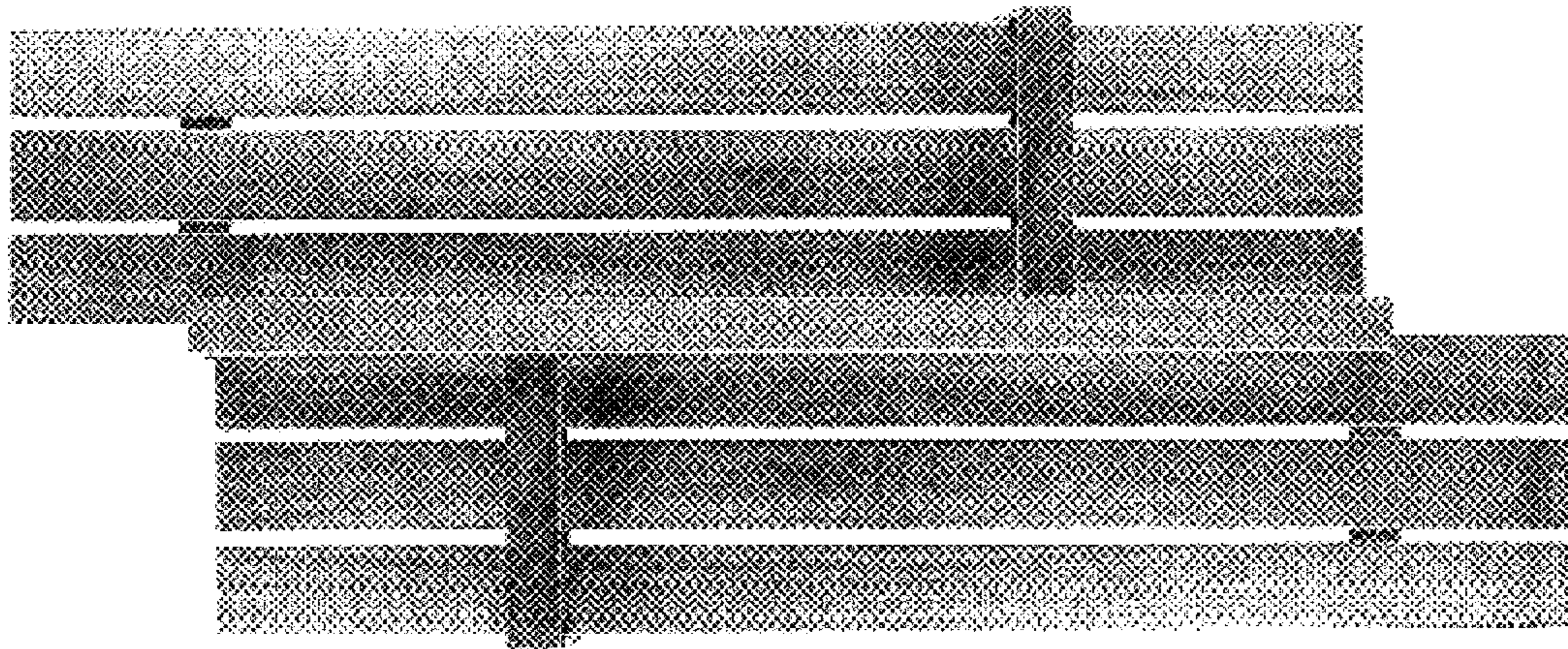


Fig. 4

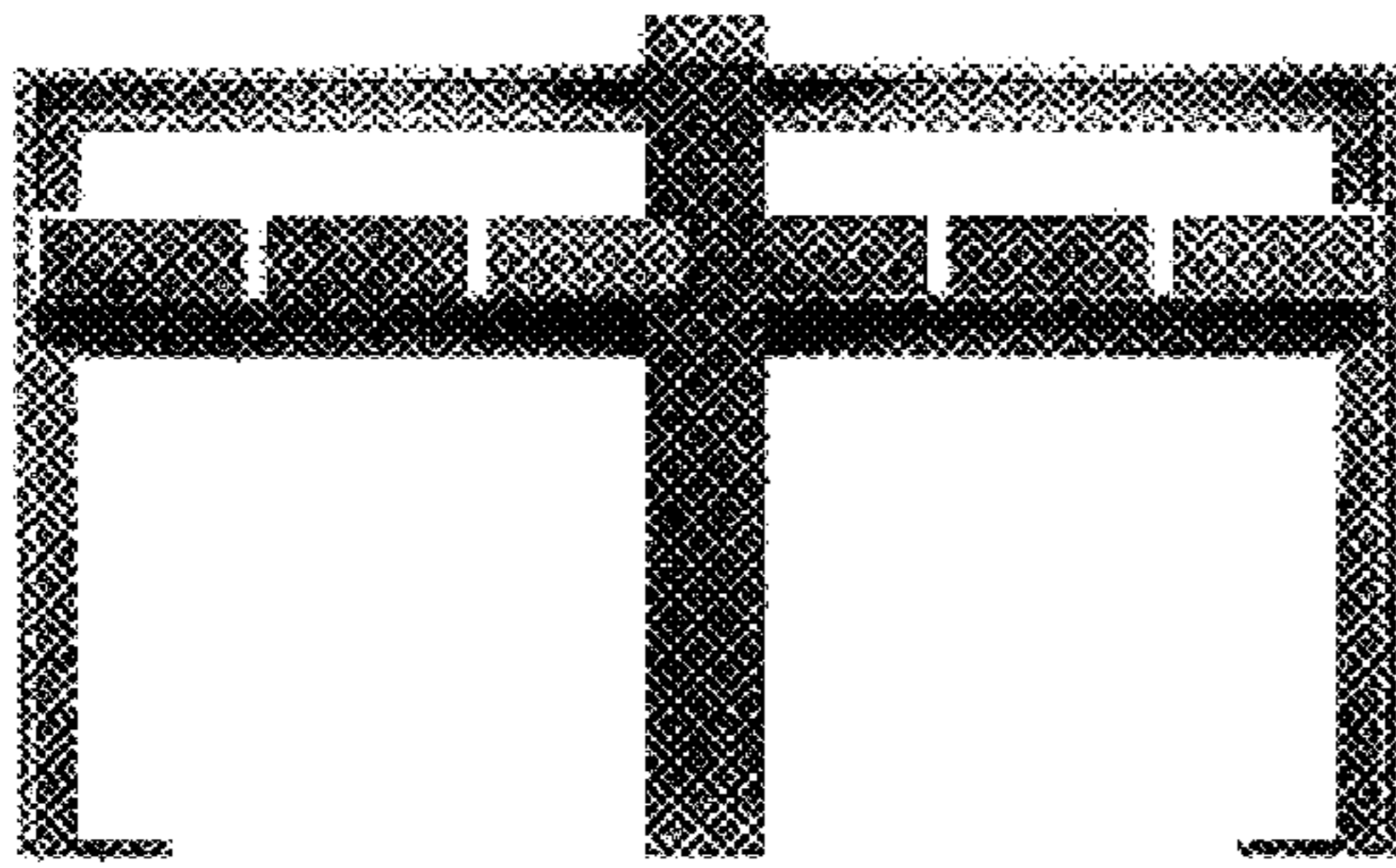


Fig. 5

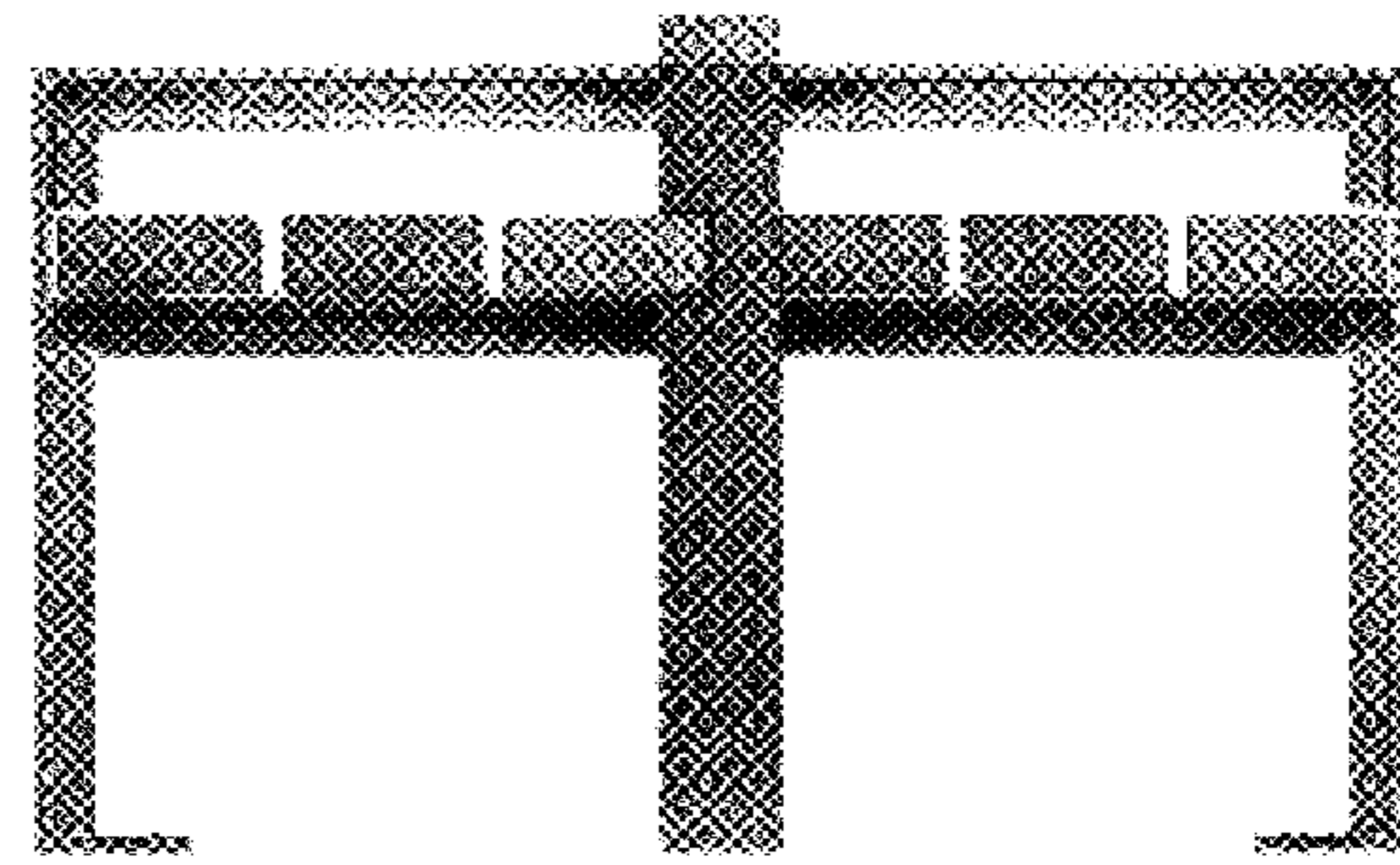


Fig. 6