

US00D521760S

(12) **United States Design Patent**
Auberger

(10) **Patent No.:** **US D521,760 S**

(45) **Date of Patent:** **** May 30, 2006**

(54) **CLUB FIRESIDE SEAT**

(75) Inventor: **Benoit Auberger**, Mouilleron en Pareds (FR)

(73) Assignee: **WESCO Company S.A.**, Cerizay (FR)

(**) Term: **14 Years**

(21) Appl. No.: **29/234,072**

(22) Filed: **Jul. 13, 2005**

(30) **Foreign Application Priority Data**

Jan. 13, 2005 (EP) 000278791-0035

(51) **LOC (8) Cl.** **06-01**

(52) **U.S. Cl.** **D6/378**

(58) **Field of Classification Search** D6/333,
D6/334, 335, 336, 364, 371, 375, 377, 378,
D6/381, 500-502; 297/232, 233, 451.8
See application file for complete search history.

(56) **References Cited**

U.S. PATENT DOCUMENTS

D130,795 S * 12/1941 Eppenstein D6/364
D247,009 S * 1/1978 Schoblom et al. D6/378

D251,760 S * 5/1979 Vandenbeuck D6/377
D251,940 S * 5/1979 Spound et al. D6/378
D262,166 S * 12/1981 Aronowitz et al. D6/378
D262,421 S * 12/1981 Aronowitz et al. D6/364
D267,756 S * 2/1983 Krabeepetcharat D6/364
D280,153 S * 8/1985 Hopfer D6/378
D311,283 S * 10/1990 Warren D6/378
D337,002 S * 7/1993 Gibson D6/378
D454,441 S * 3/2002 Bermudez et al. D6/378

* cited by examiner

Primary Examiner—Mimosa De

(74) *Attorney, Agent, or Firm*—Horst M. Kasper

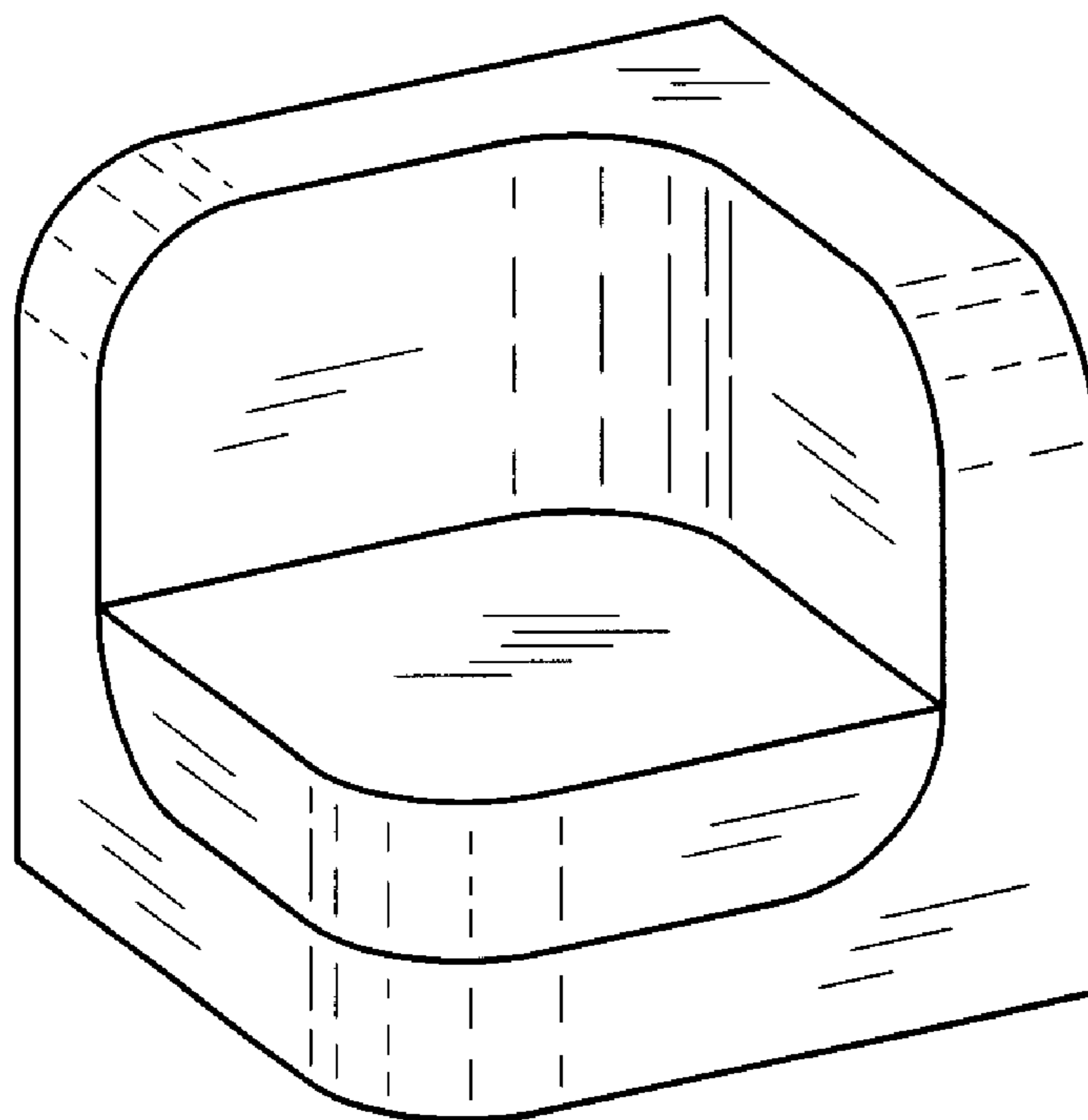
(57) **CLAIM**

The design for club fireside seat, as shown and described.

DESCRIPTION

FIG. 1 is a front elevational view of club fireside seat showing my new design;
FIG. 2 is a top plain view thereof;
FIG. 3 is a rear elevational view thereof;
FIG. 4 is a right side elevational view thereof;
FIG. 5 is a left side elevational view thereof; and,
FIG. 6 is a perspective view thereof.

1 Claim, 2 Drawing Sheets



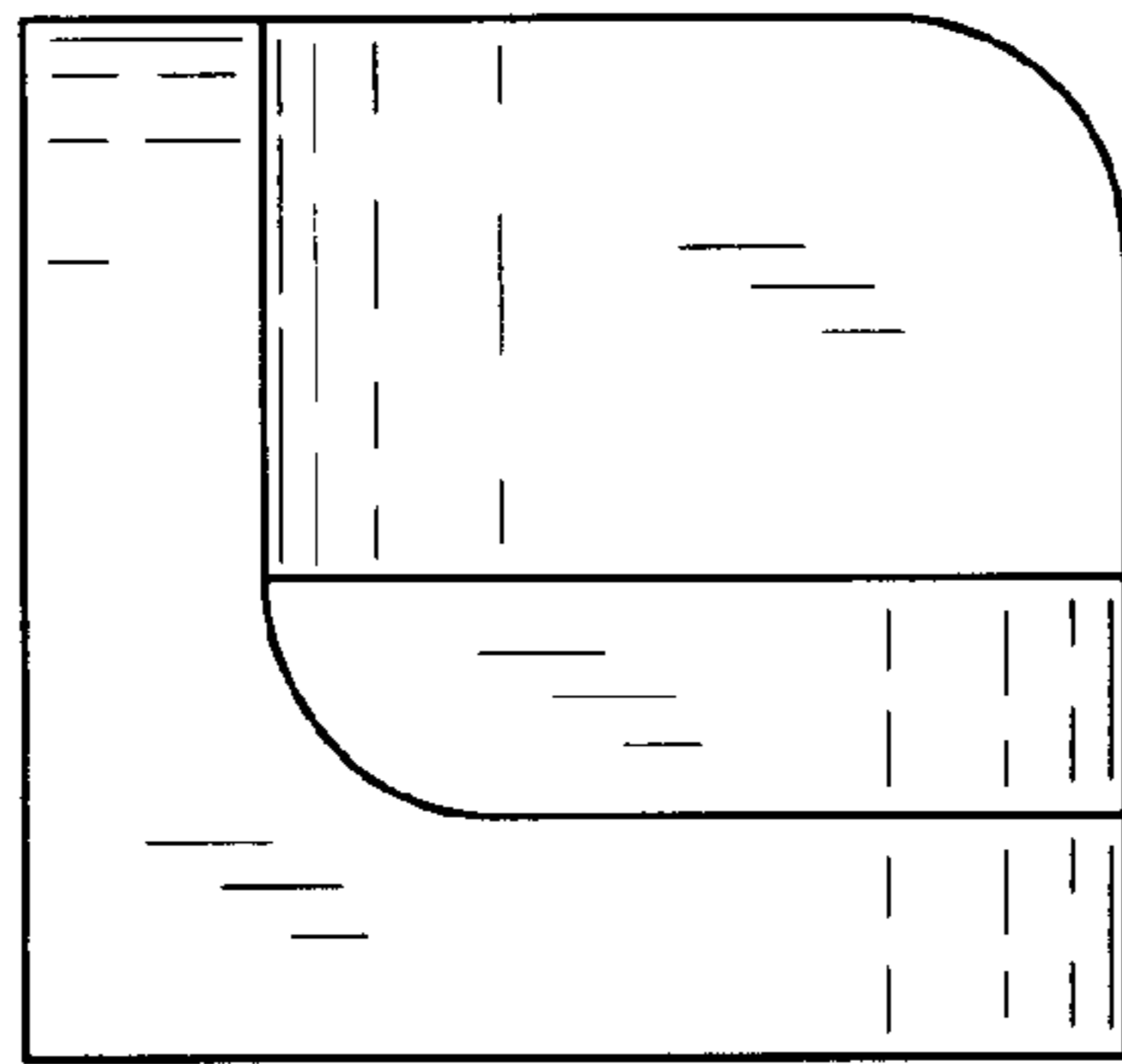


Fig.1

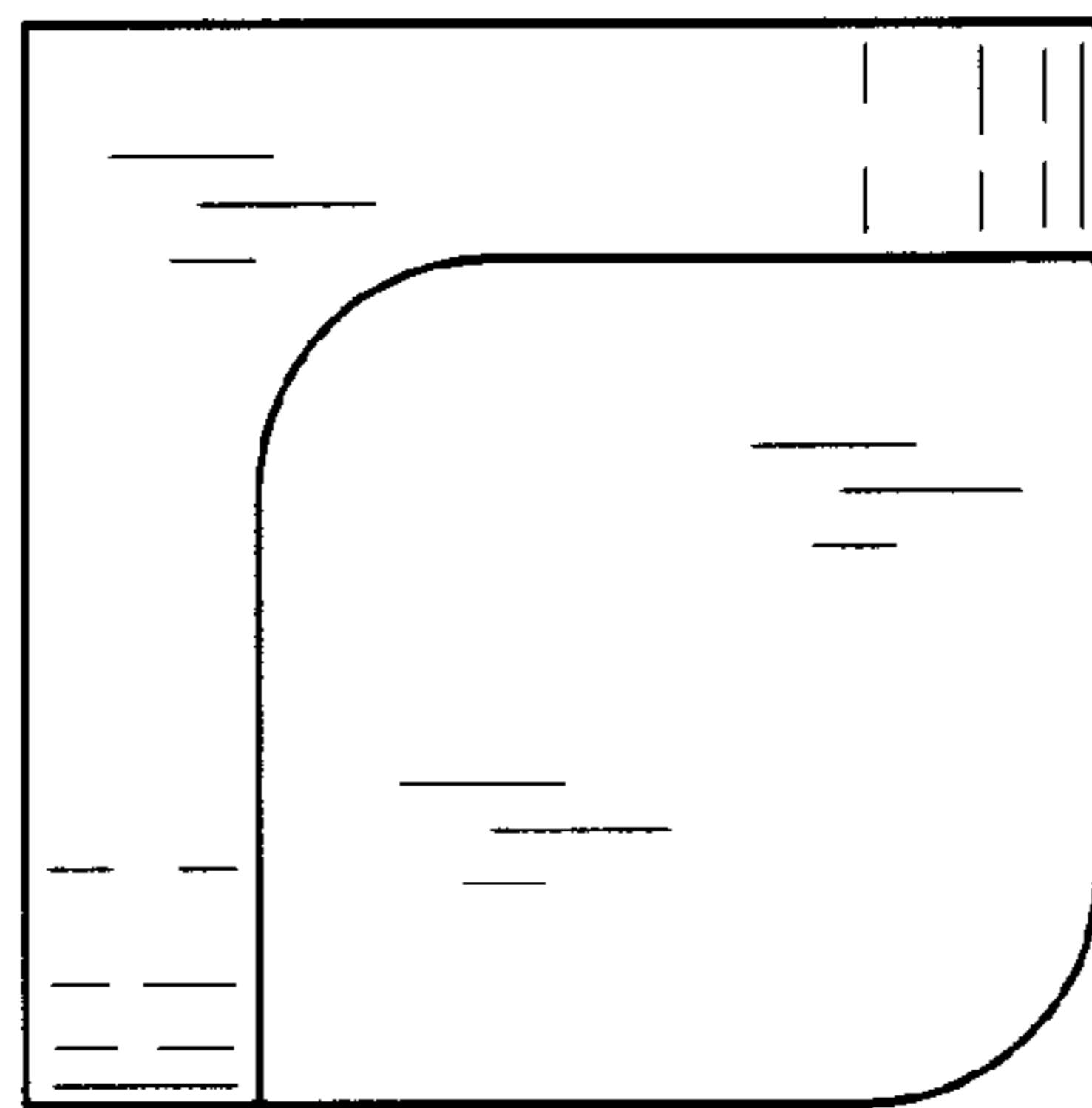


Fig.2

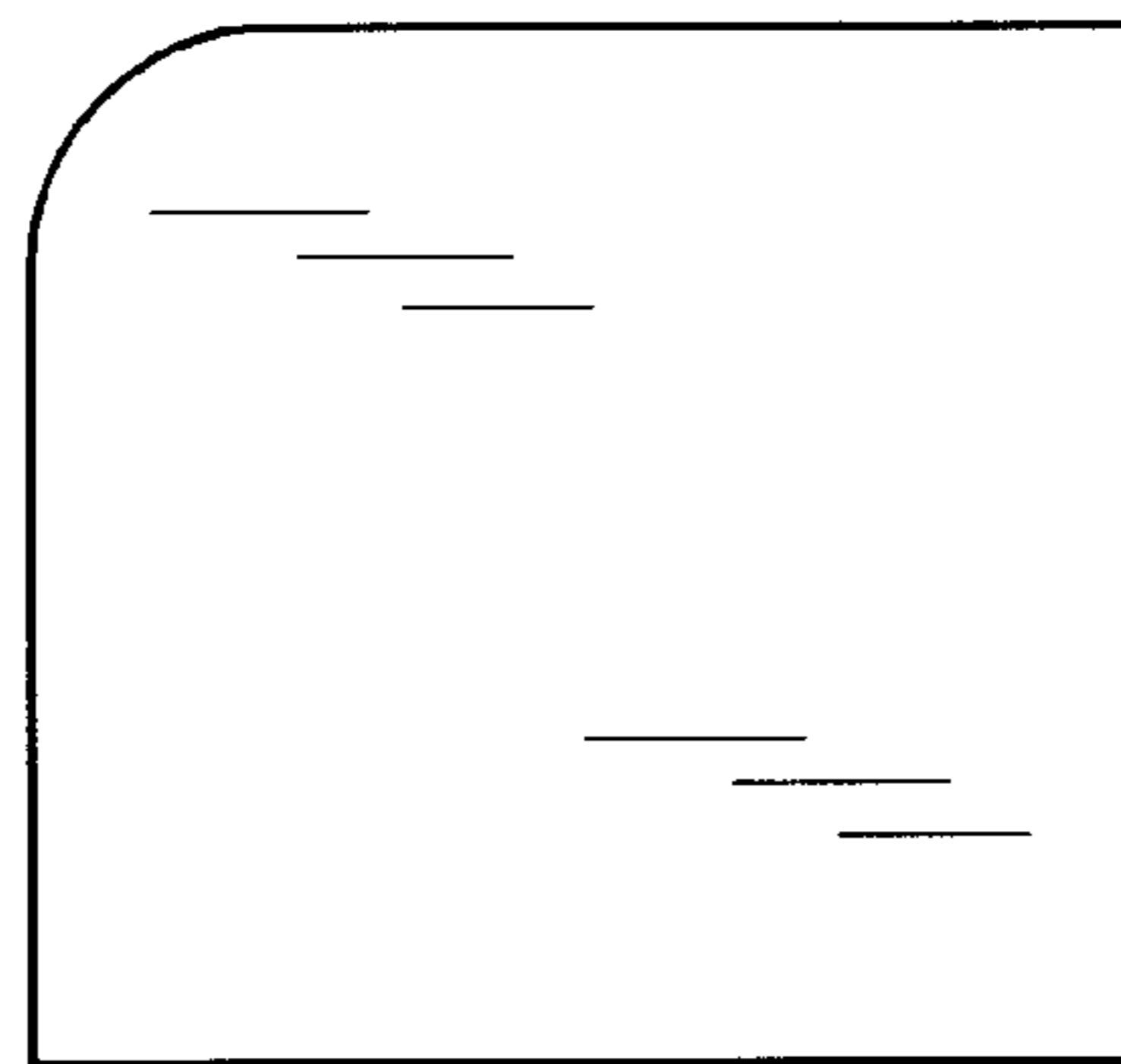


Fig.3

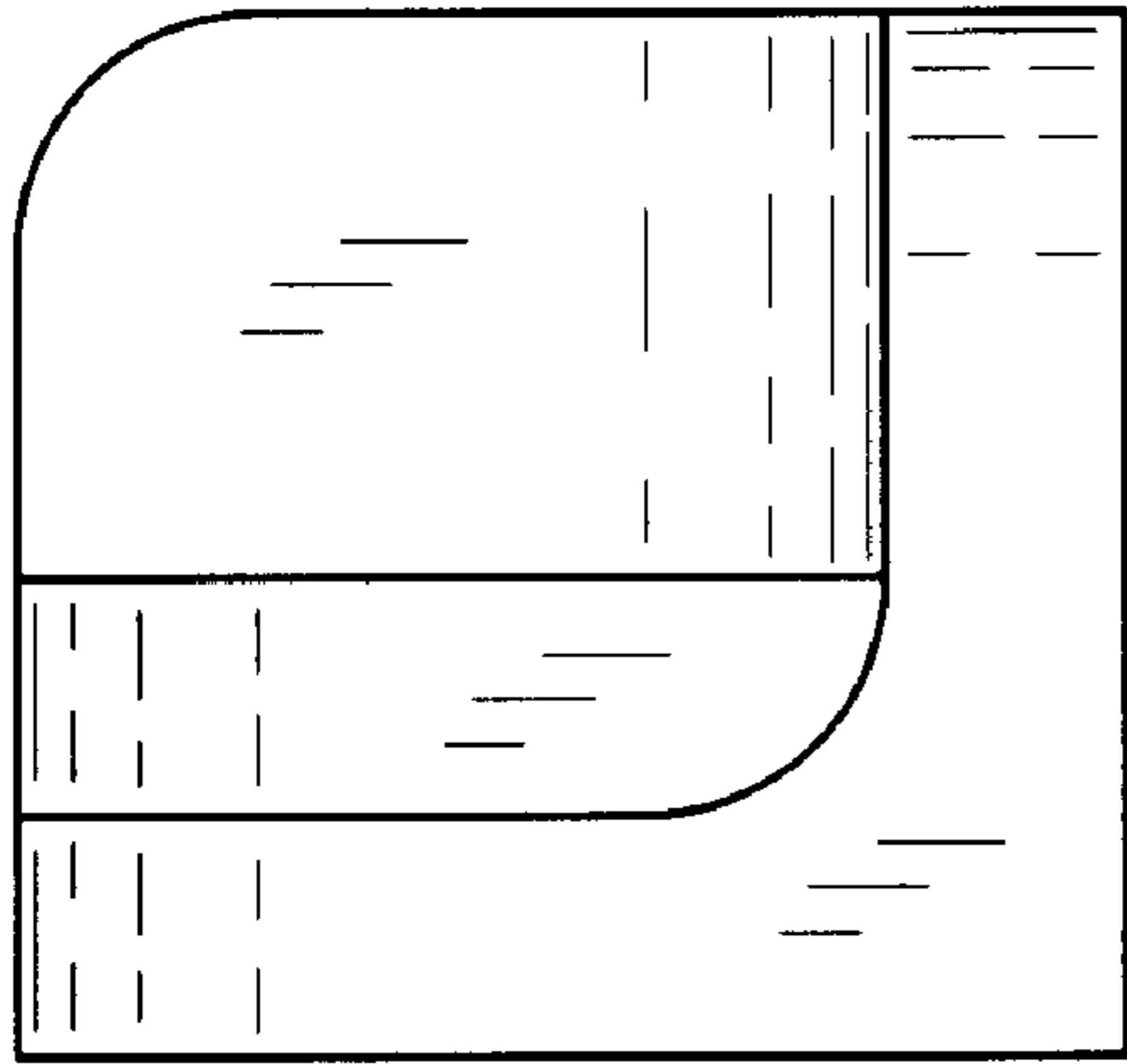


Fig.4

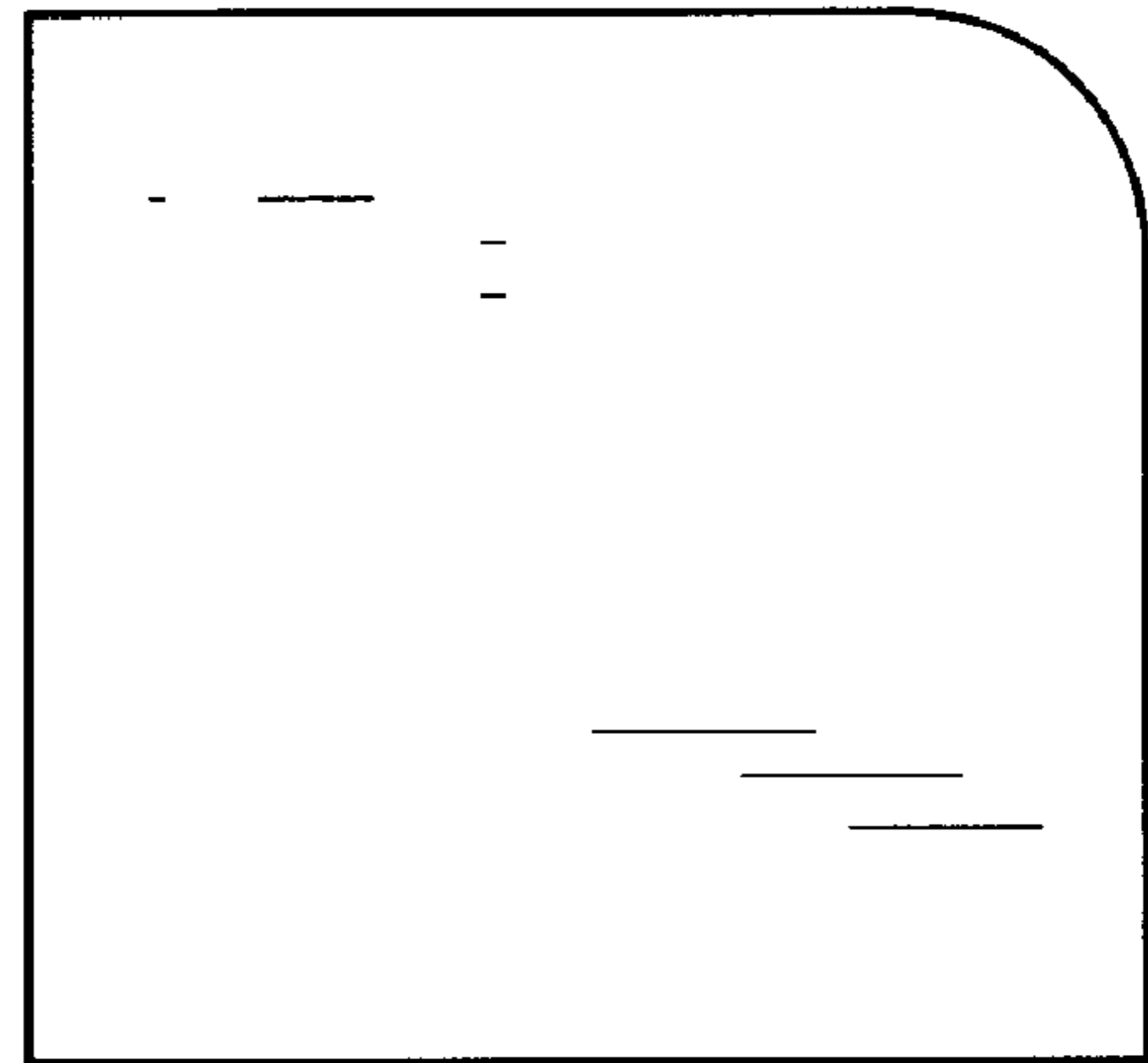


Fig.5

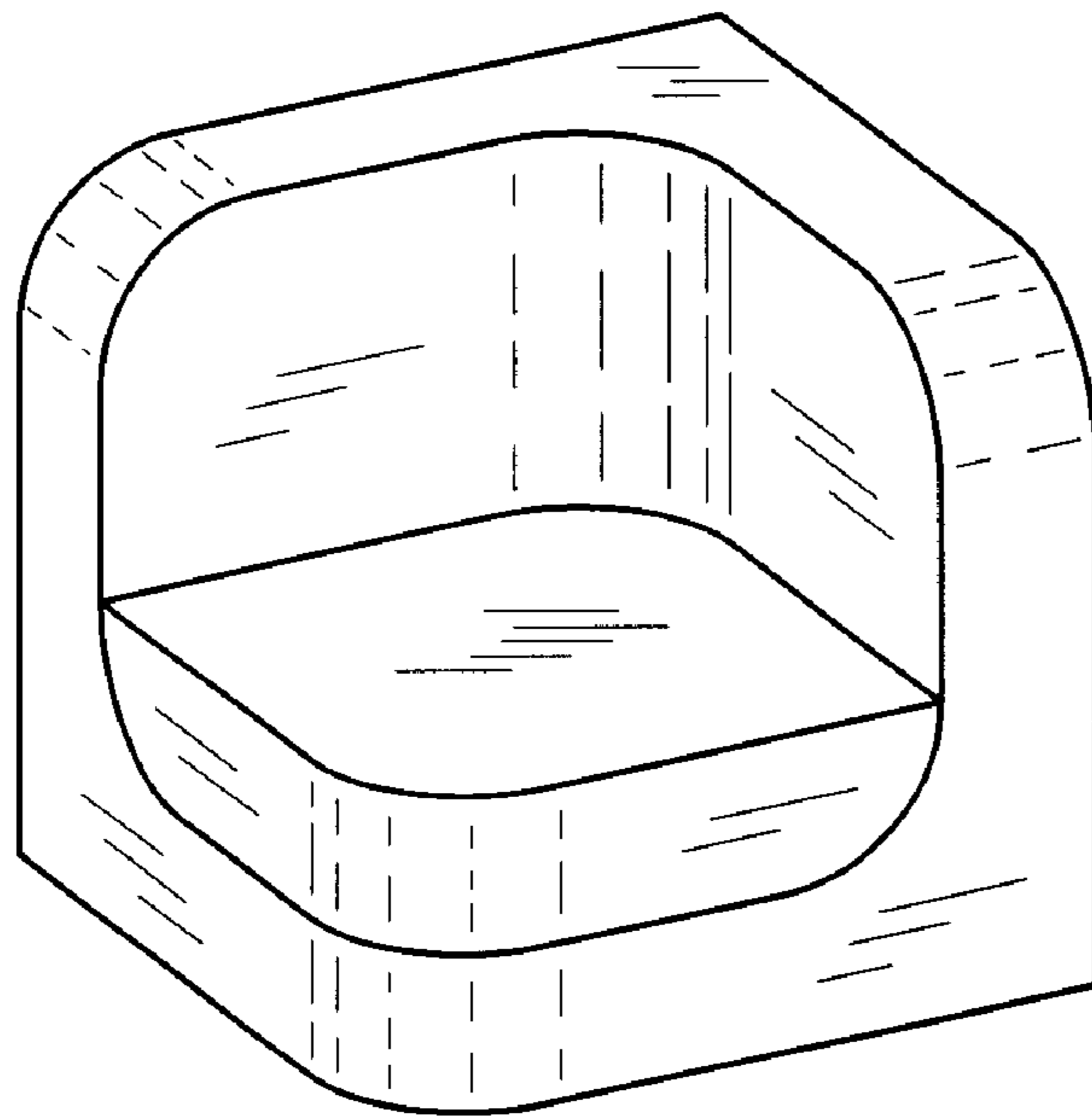


Fig.6