



US00D521758S

(12) **United States Design Patent**  
**Lowsky**

(10) **Patent No.:** **US D521,758 S**

(45) **Date of Patent:** **\*\* May 30, 2006**

(54) **CHAIR**

(75) Inventor: **Jamie Lowsky**, Aventura, FL (US)

(73) Assignee: **Pride Outdoor Products Group, Inc.**,  
Ft. Lauderdale, FL (US)

(\*\*) Term: **14 Years**

(21) Appl. No.: **29/231,003**

(22) Filed: **May 31, 2005**

(51) **LOC (8) Cl.** ..... **06-01**

(52) **U.S. Cl.** ..... **D6/375; D6/369**

(58) **Field of Classification Search** ..... D6/334,  
D6/335, 369, 371-373, 374, 375, 376, 379,  
D6/380, 500-502; 297/445.1, 446.1, 452.19,  
297/452.64, 411.42

See application file for complete search history.

(56) **References Cited**

**U.S. PATENT DOCUMENTS**

D344,194 S	*	2/1994	Gibbs	.....	D6/373
D347,746 S	*	6/1994	Gibbs	.....	D6/373
D358,721 S	*	5/1995	Hess	.....	D6/373
D362,557 S	*	9/1995	Escalona	.....	D6/375

D431,728 S	*	10/2000	Bell	.....	D6/375
D435,978 S	*	1/2001	Pluer	.....	D6/375
D438,397 S	*	3/2001	Pluer	.....	D6/379
D442,383 S	*	5/2001	Bell	.....	D6/375
D452,082 S	*	12/2001	Pluer	.....	D6/375
D482,541 S	*	11/2003	Pluer	.....	D6/375
D482,542 S	*	11/2003	Pluer	.....	D6/375
D489,543 S	*	5/2004	Homestead	.....	D6/369
D496,172 S	*	9/2004	Pluer	.....	D6/376

\* cited by examiner

*Primary Examiner*—Mimosa De

(74) *Attorney, Agent, or Firm*—Akerman Senterfitt

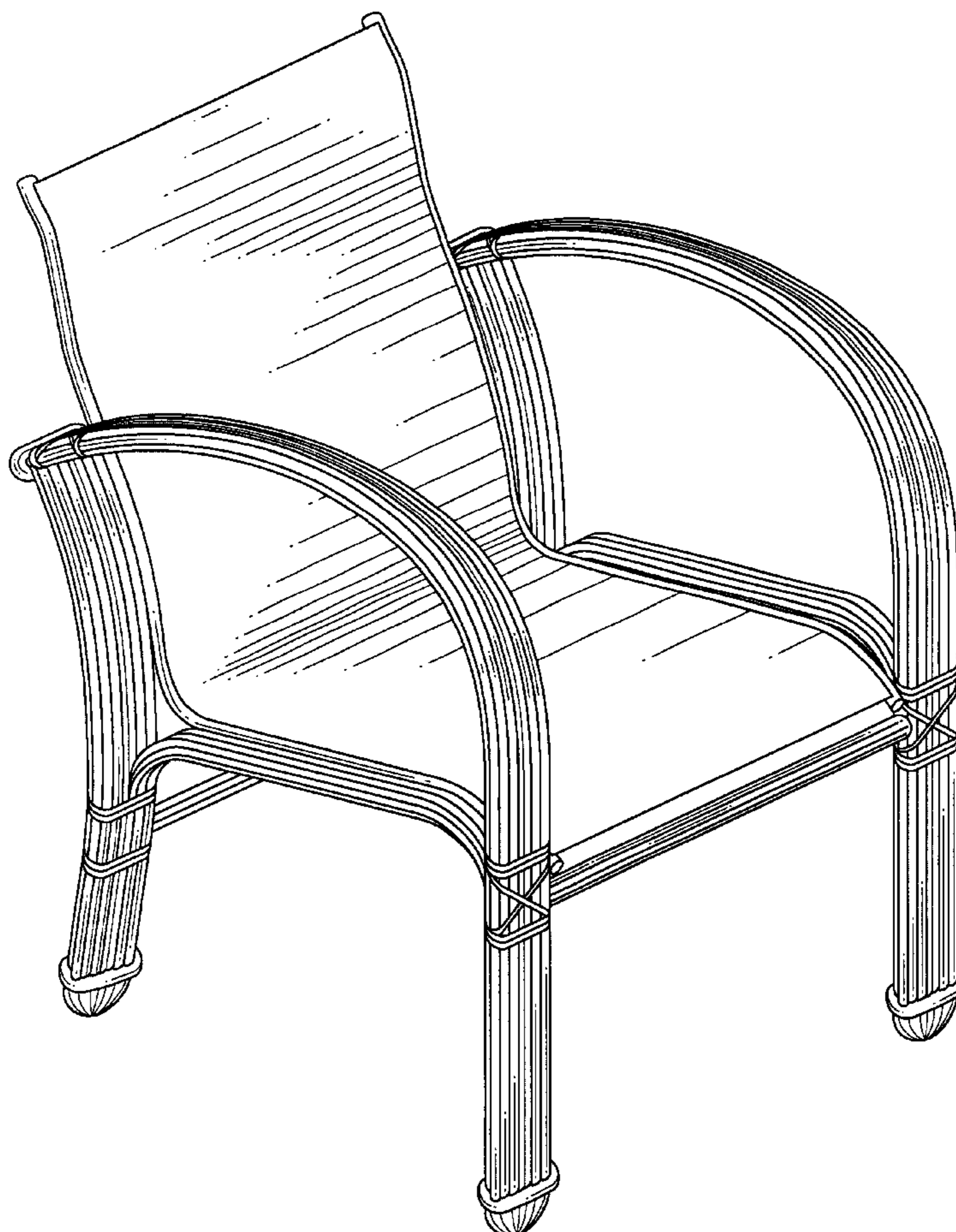
(57) **CLAIM**

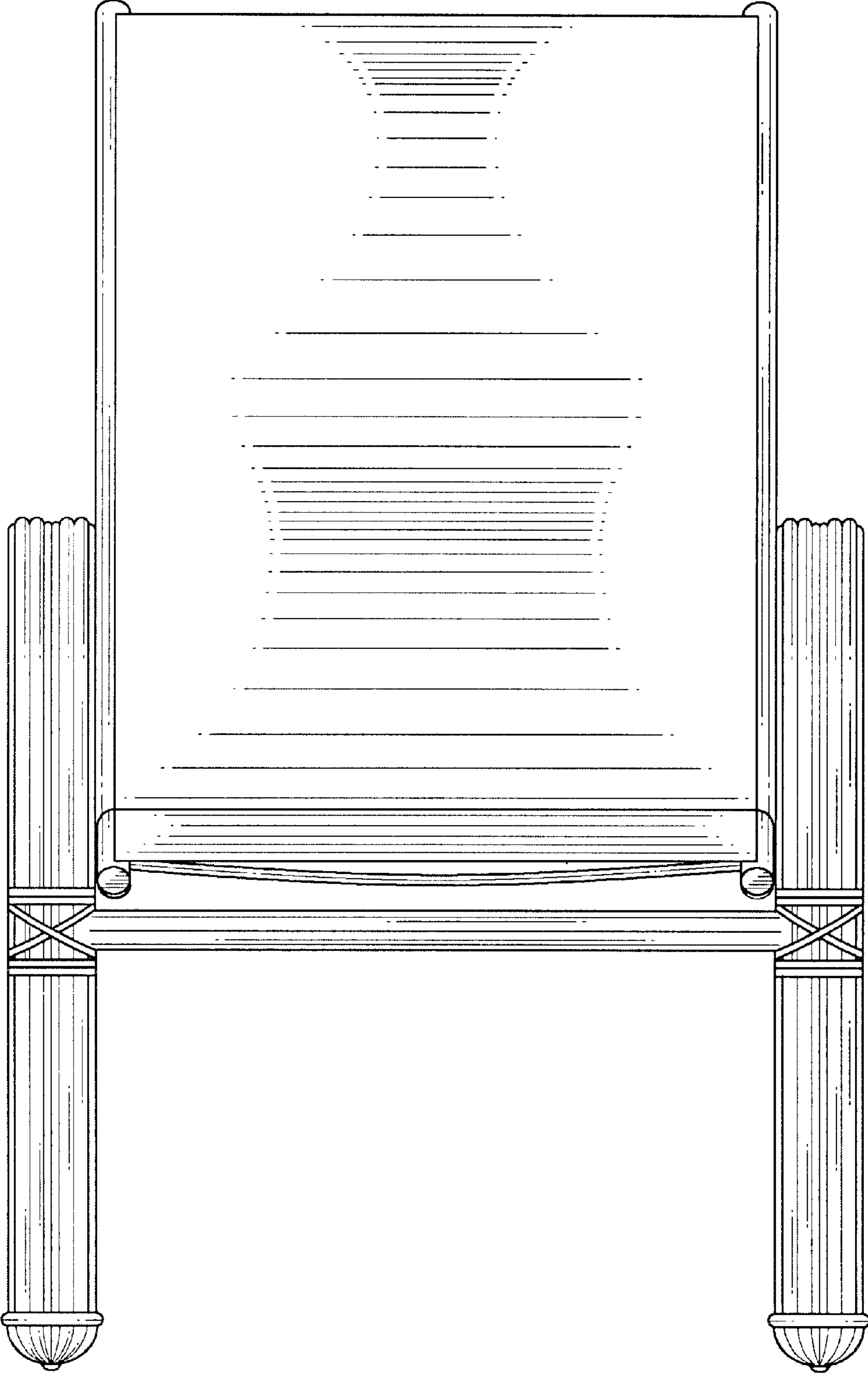
The ornamental design for a chair, as shown and described.

**DESCRIPTION**

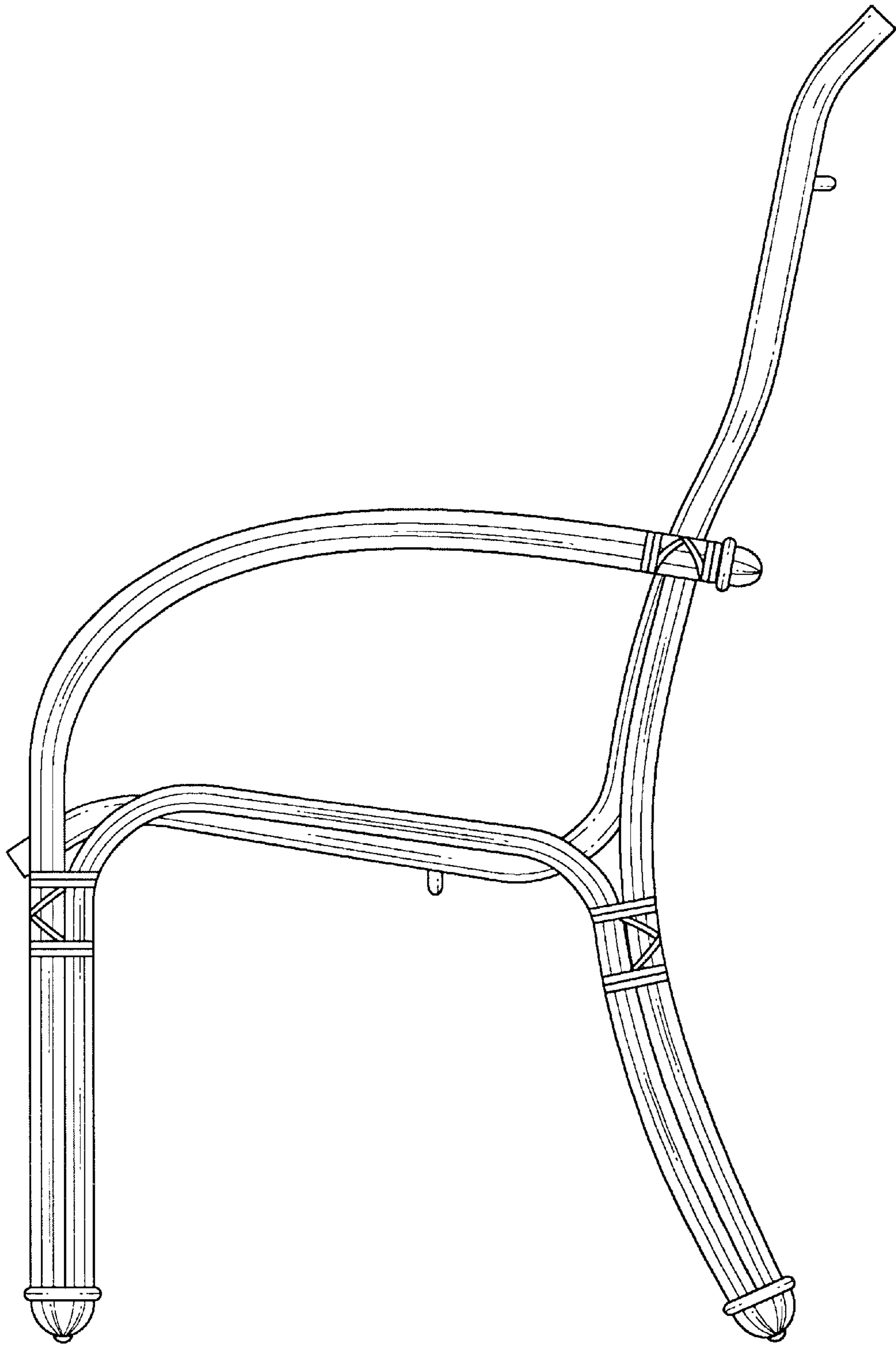
FIG. 1 is a front elevation view;  
FIG. 2 is a left side elevation view;  
FIG. 3 is a right side elevation view;  
FIG. 4 is a rear elevation view;  
FIG. 5 is a top elevation view;  
FIG. 6 is a bottom elevation view; and,  
FIG. 7 is a perspective view of my new design.

**1 Claim, 7 Drawing Sheets**

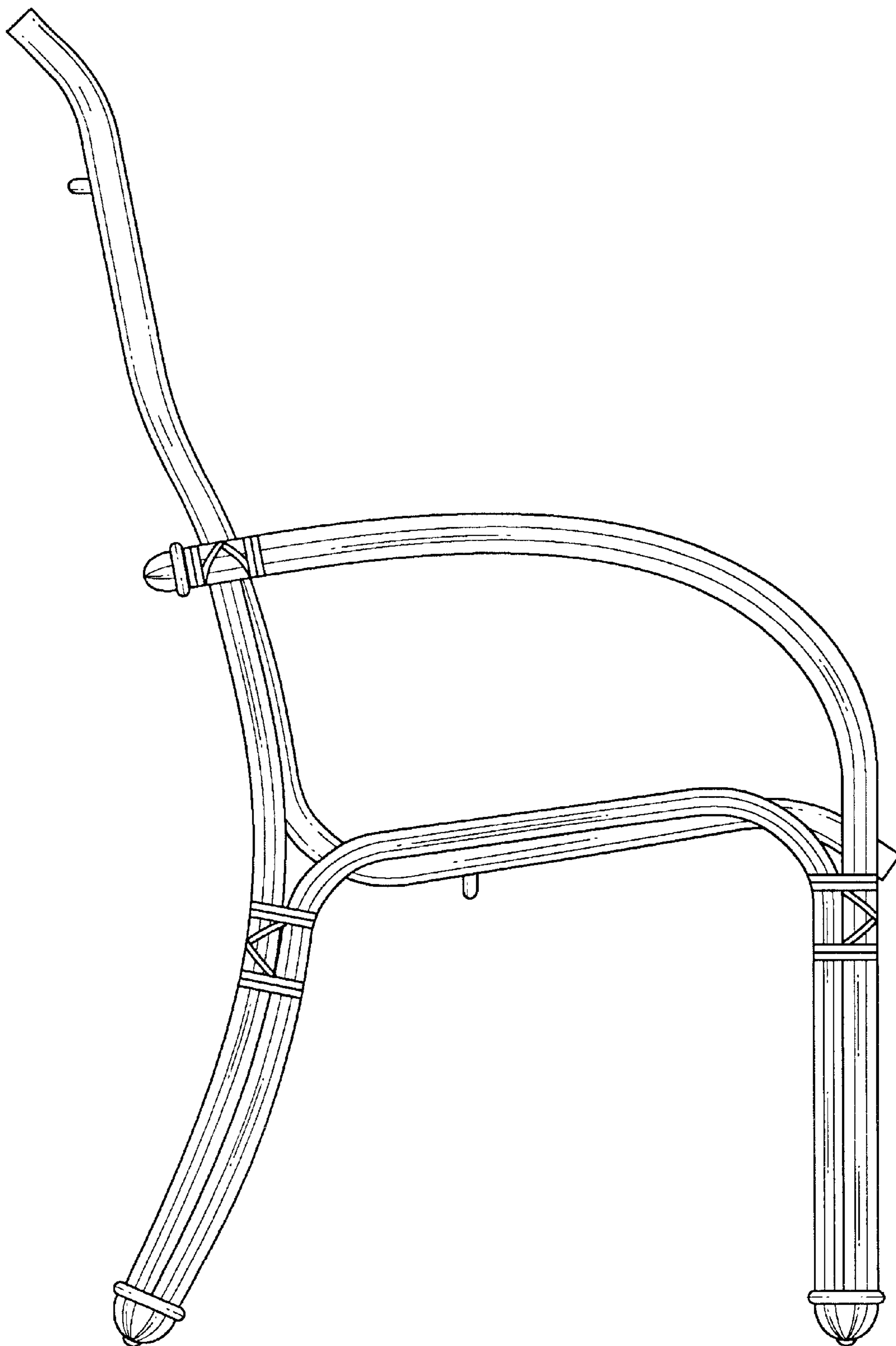




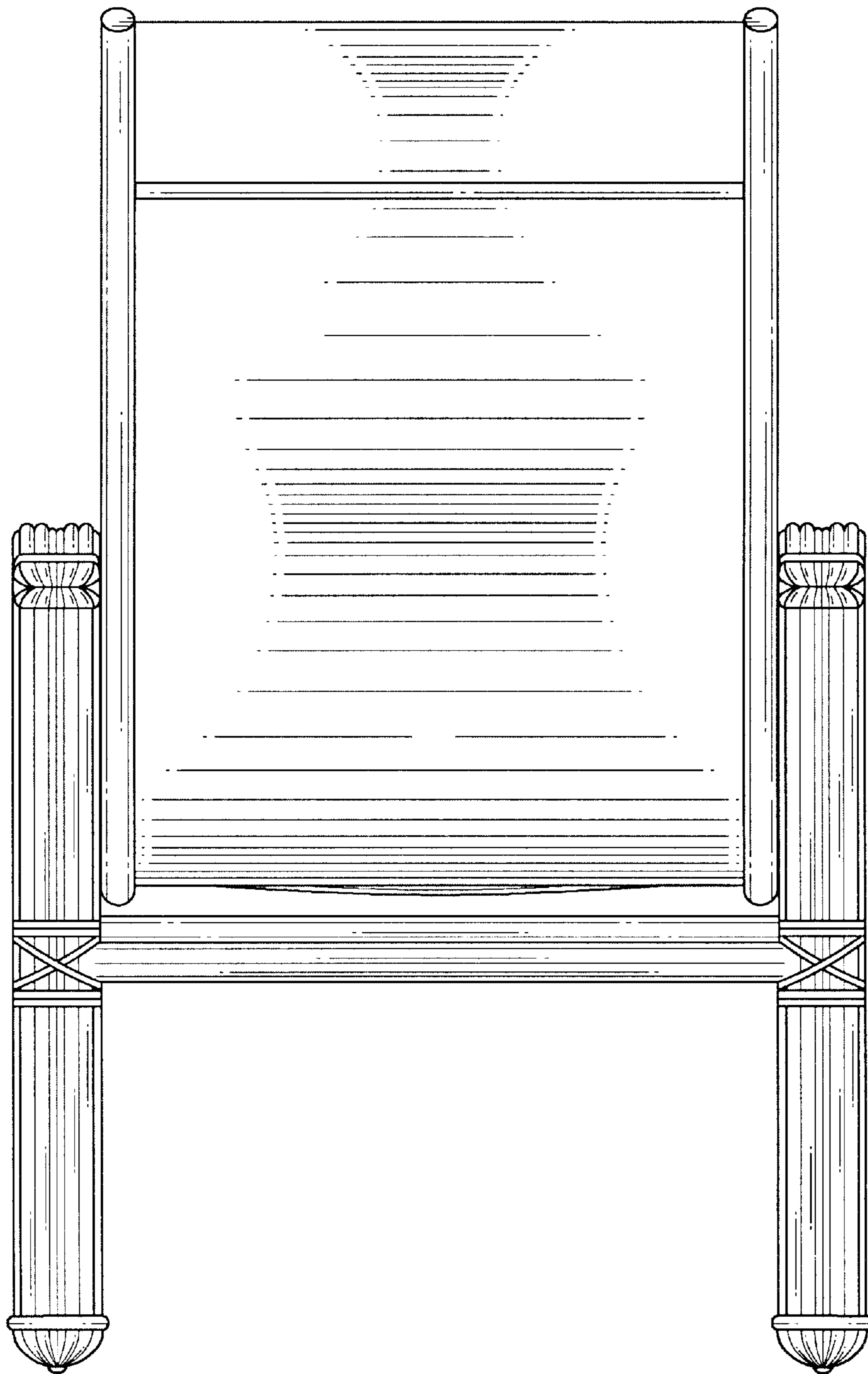
**FIG. 1**



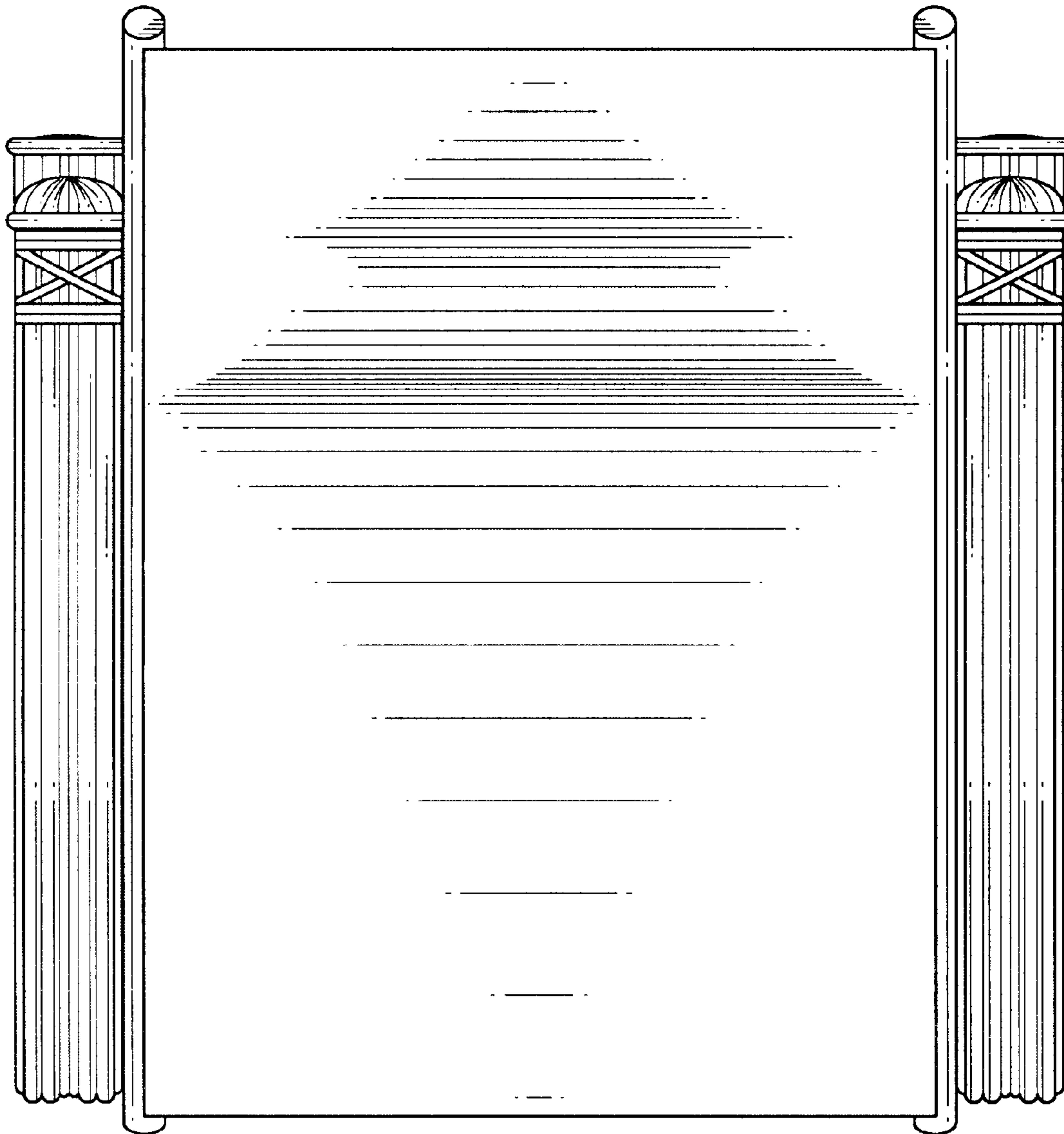
**FIG. 2**



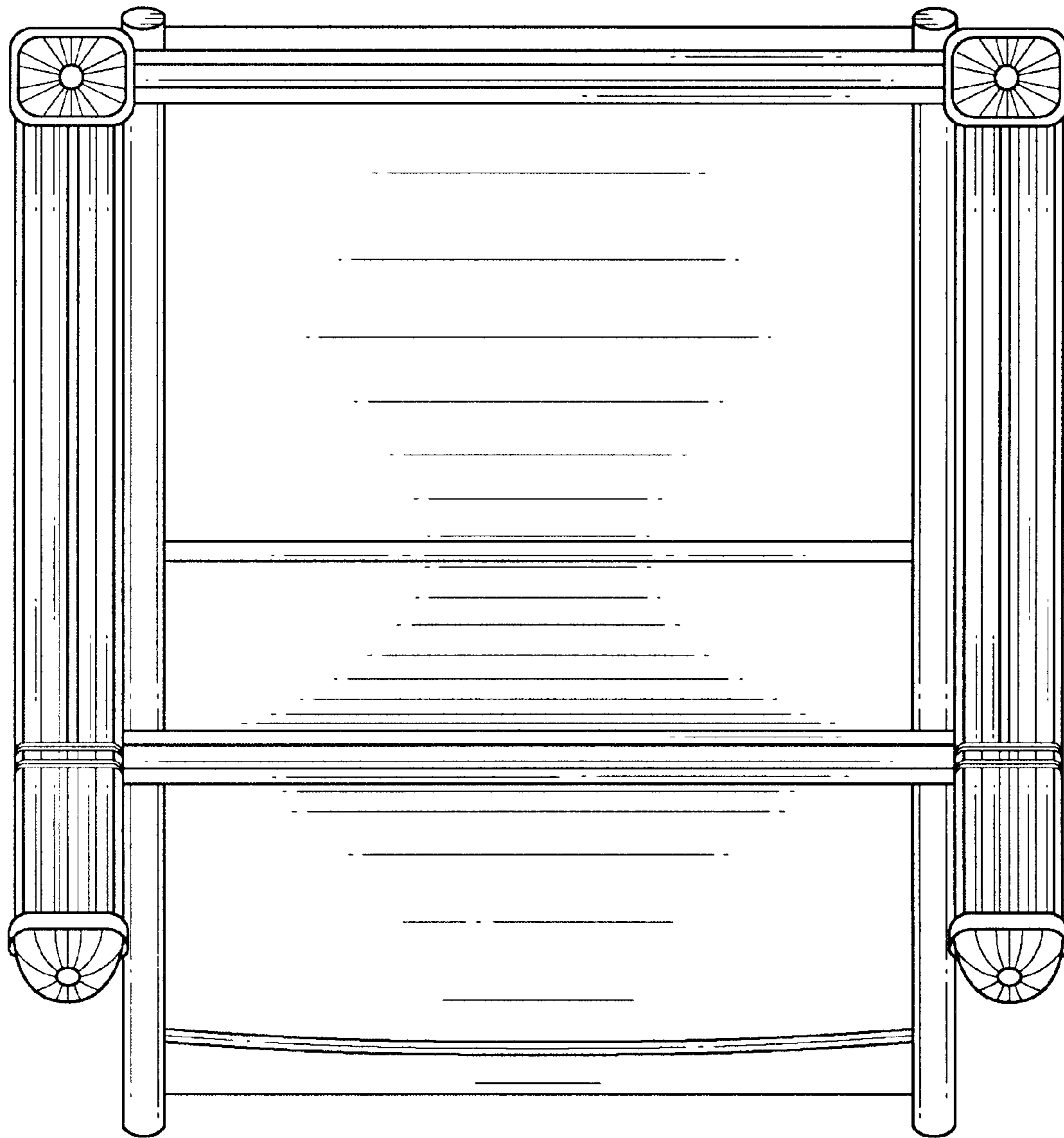
**FIG. 3**



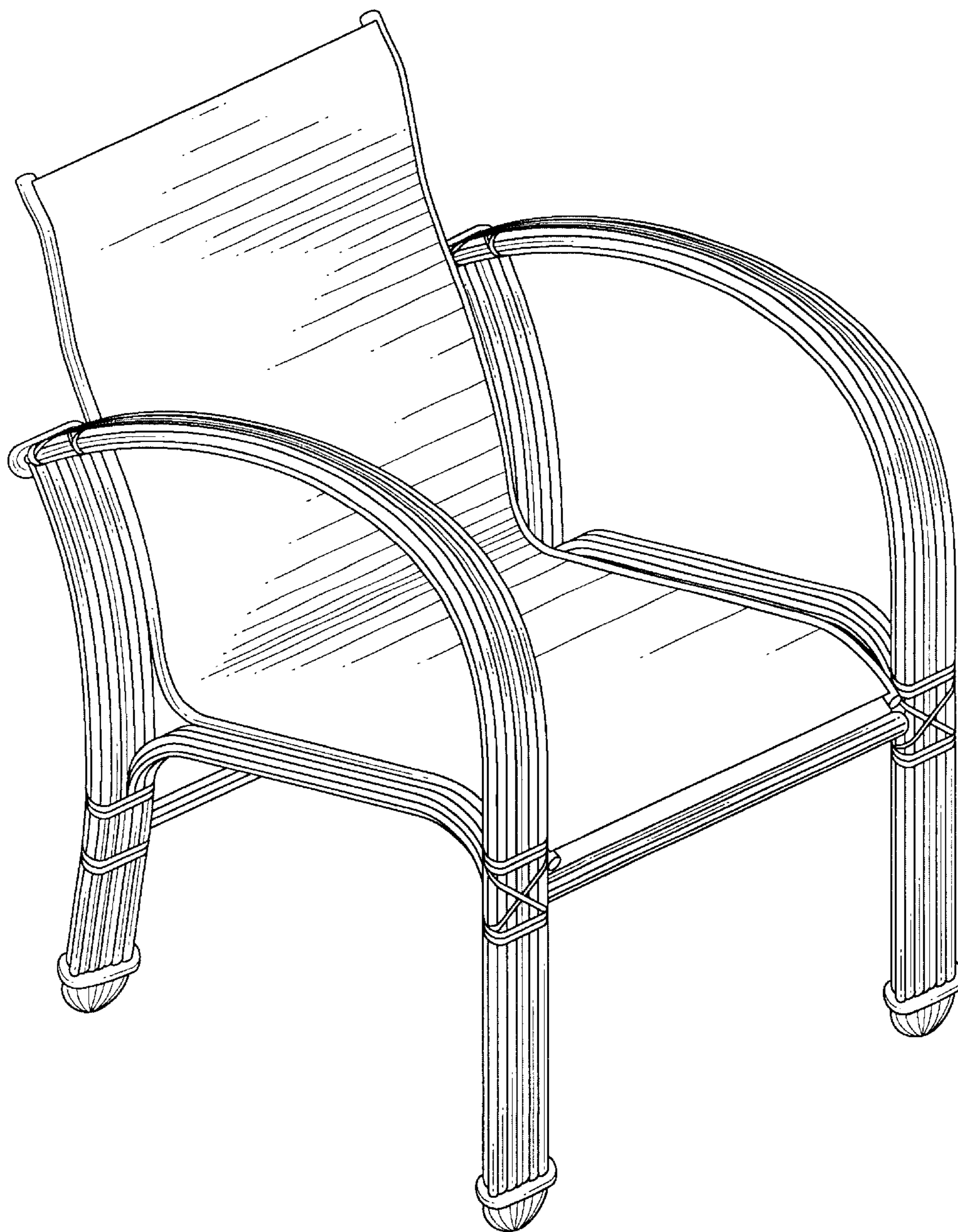
**FIG. 4**



**FIG. 5**



**FIG. 6**



**FIG. 7**