



US00D521757S

(12) **United States Design Patent**
Glass et al.

(10) **Patent No.:** **US D521,757 S**

(45) **Date of Patent:** **** May 30, 2006**

(54) **CHAIR**

(75) Inventors: **Peter Glass**, Arroyo Grande, CA (US);
Robert J. Mills, Torrance, CA (US);
Jamie Toland, Russellville, AR (US)

(73) Assignee: **Virco Mgmt. Corporation**, Torrance,
CA (US)

(**) Term: **14 Years**

(21) Appl. No.: **29/230,864**

(22) Filed: **May 27, 2005**

(51) **LOC (8) Cl.** **06-01**

(52) **U.S. Cl.** **D6/372; D6/380**

(58) **Field of Classification Search** D6/334-336,
D6/338, 360, 365, 366, 371-373, 341, 374,
D6/375, 376, 379, 380, 500-502; 297/296,
297/445.1, 446.1, 447.1, 447.2, 451.1, 451.3,
297/452.2

See application file for complete search history.

(56) **References Cited**

U.S. PATENT DOCUMENTS

D150,683 S	*	8/1948	Eames	D6/374
D150,685 S	*	8/1948	Eames	D6/374
D155,272 S	*	9/1949	Eames	D6/374
D155,273 S	*	9/1949	Eames	297/447.1
D155,274 S	*	9/1949	Eames	D6/374
D169,930 S	*	6/1953	Chapman et al.	D6/374
D169,931 S	*	6/1953	Chapman et al.	D6/374
D171,116 S	*	12/1953	Adkinson	D6/374
D181,241 S	*	10/1957	Swanson	D6/374
D182,790 S		5/1958	Cohen		
D186,103 S	*	9/1959	Junkune	D6/365
D190,172 S		4/1961	Alverson		
D195,620 S	*	7/1963	Chapman et al.	D6/374
D197,643 S		3/1964	Kramer		
3,276,818 A	*	10/1966	Durfee et al.	297/448.1
4,002,369 A		1/1977	Jennings		
D295,585 S		5/1988	Mulhauser		
D307,837 S	*	5/1990	Grant	D6/380
5,154,474 A	*	10/1992	Desanta	297/239
D346,911 S		5/1994	Lucci et al.		

D409,407 S	5/1999	Wang
D410,801 S	6/1999	Holbrook
5,924,770 A	7/1999	Tarnay et al.
D414,618 S	10/1999	Holbrook
6,003,948 A	12/1999	Holbrook
D426,973 S	6/2000	Risdall
D427,444 S	7/2000	Risdall
D441,557 S	5/2001	Glass
D448,190 S	9/2001	Chang
D469,969 S	2/2003	Glass et al.
D470,320 S	2/2003	Schloss
D471,730 S	3/2003	Schloss
D473,407 S	4/2003	Ross
D474,348 S	5/2003	Bosman et al.
D503,559 S	4/2005	Glass et al.

OTHER PUBLICATIONS

Virco "Furniture Solutions," 2003 General Catalog, pp. 6, 9, 52, 56, 57, 58, 59, 62, 66 69, last page, 2027 Harpers Way, Torrance, CA 90501.

American Desk, "Classroom Furniture," Catalog, pp. 6, 18, end page, P.O. Box 6107, Temple, TX 76403.

Artco-Bell Corporation, "Furniture to Enhance Education," Catalog, pp. 12 and 13, Culver-Newlin, Inc., 840 Wanamaker Ave., Ontario, CA 91761.

Artco-Bell Corporation, "Product Library 2001," Catalog, pp. 6, 7, 8, end page, P.O. Box 608, 1302 Industrial Blvd., Temple, TX 76403.

Capital Seating Company, "Premium Quality Classroom Furniture," Catalog, 3 pages.

CDF, "School Furniture," Catalog, 1 page.

Columbia Manufacturing Company, "Alpha Chairs," 1 page, One Cycle Street, Post Office Box 1230, Westfield, MA 01086.

Ivy League School Furniture, Catalog, 1 page.

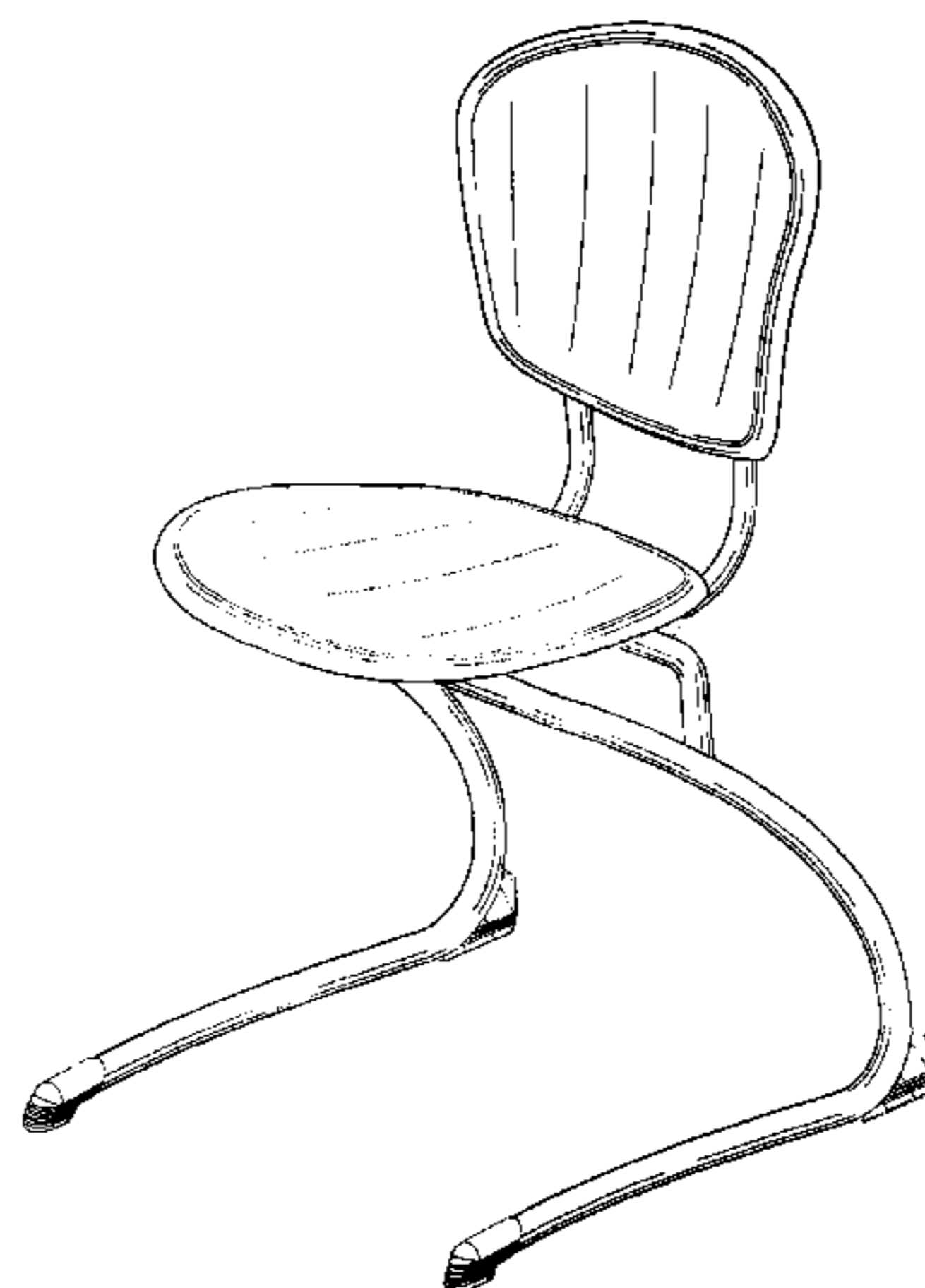
National School Lines, "Classroom Furniture," Catalog, pp. 7 and 8, Oshkosh, WI, www.nsl-inc.com.

Royal Seating Corporation, "Educational and Computer Furniture," Catalog, pp. 6, 8, 20, 24.

Scholarcraft, "School Furniture," Catalog, pp. 3, 5, 9, end page, P.O. Box 170748, Birmingham, AL 35217 (2001).

VS Vereinigte Spezialmobelfabriken, GmbH & Co., "Classroom furnishing," Catalog, pp. 10, 20, 21, 36, 42, end page.

* cited by examiner



Primary Examiner—Mimosa De
(74) Attorney, Agent, or Firm—Robert M. Hupe; Virco
Mgmt. Corporation

(57) **CLAIM**

The ornamental design for a “chair,” as shown and
described.

DESCRIPTION

FIG. 1 is a front perspective view of a chair showing my new

design;

FIG. 2 is a front elevational view thereof;

FIG. 3 is a right side view, the opposite side view being a
mirror image, thereof;

FIG. 4 is a top view thereof;

FIG. 5 a bottom view thereof;

FIG. 6 is a back view thereof; and,

FIG. 7 is a back perspective view thereof.

1 Claim, 4 Drawing Sheets

FIG. 2

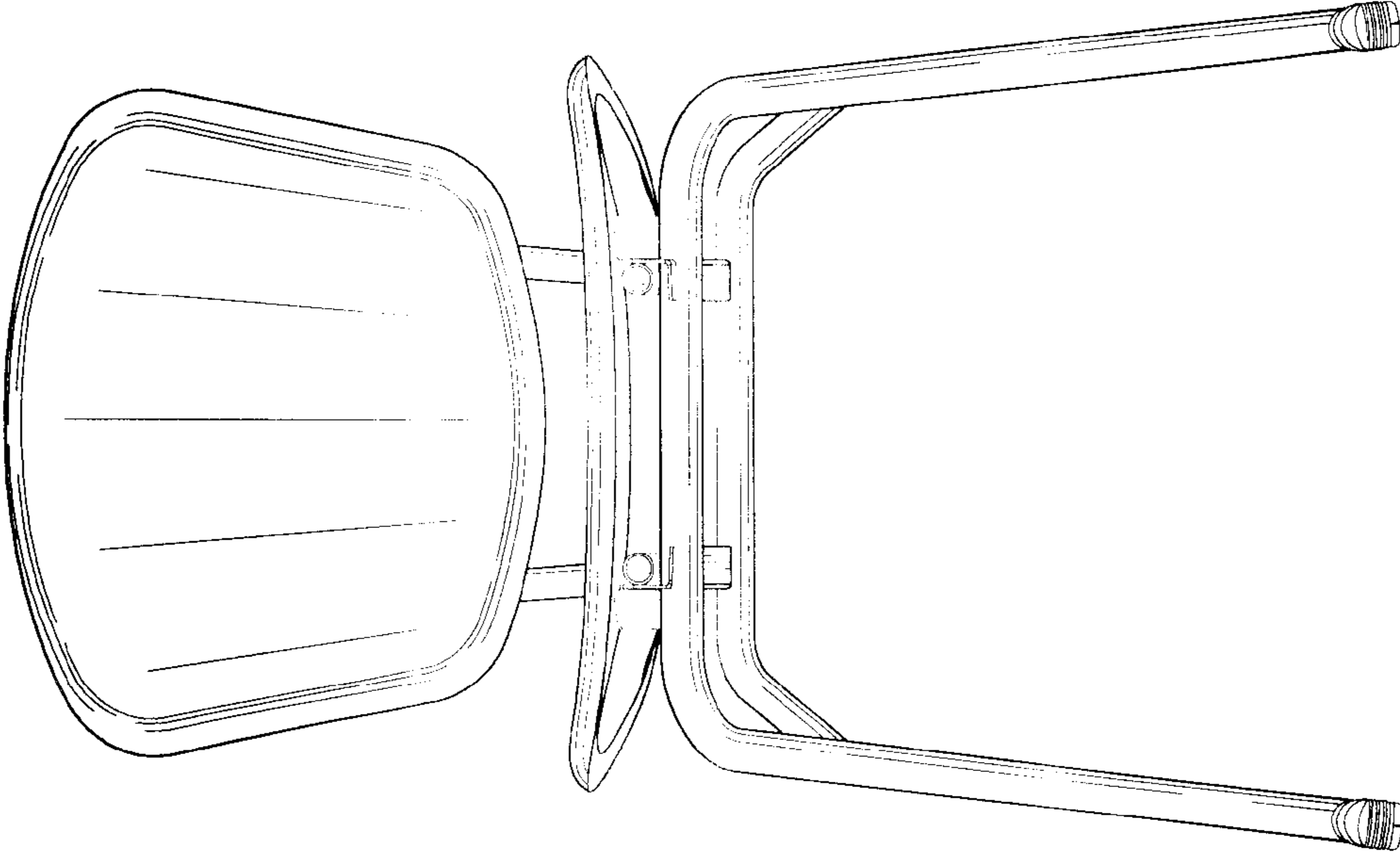
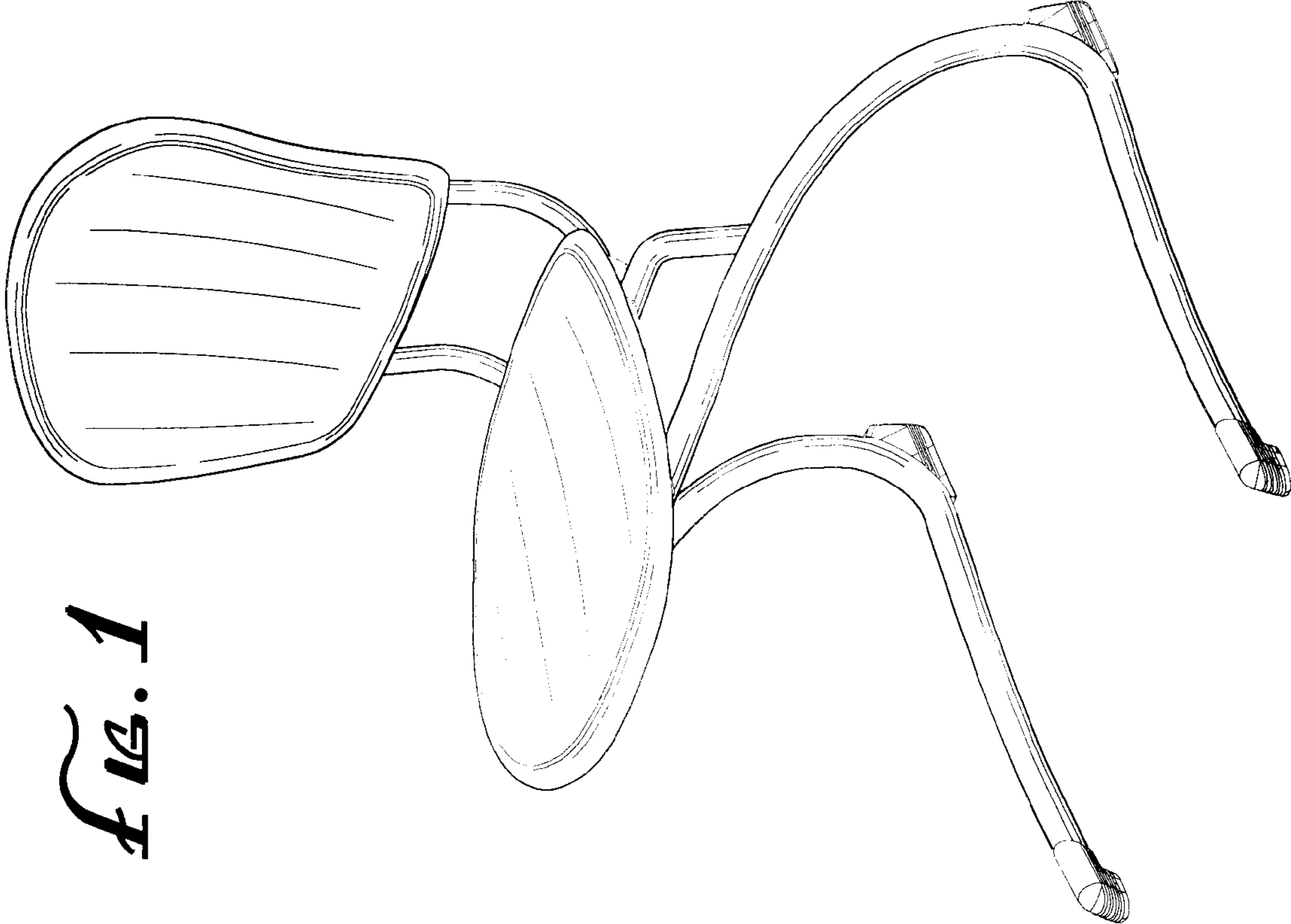


FIG. 1



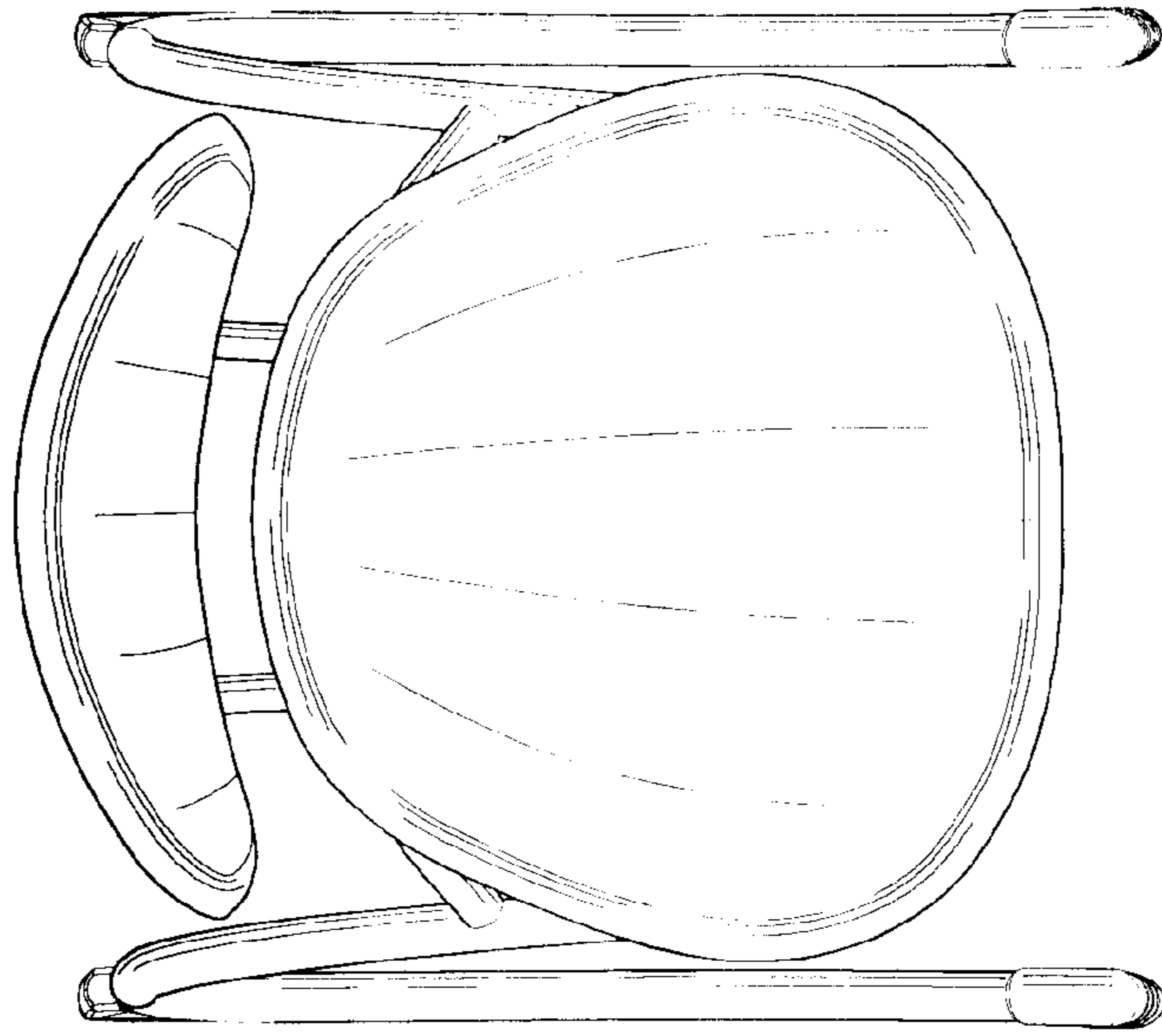


FIG. 4

FIG. 3

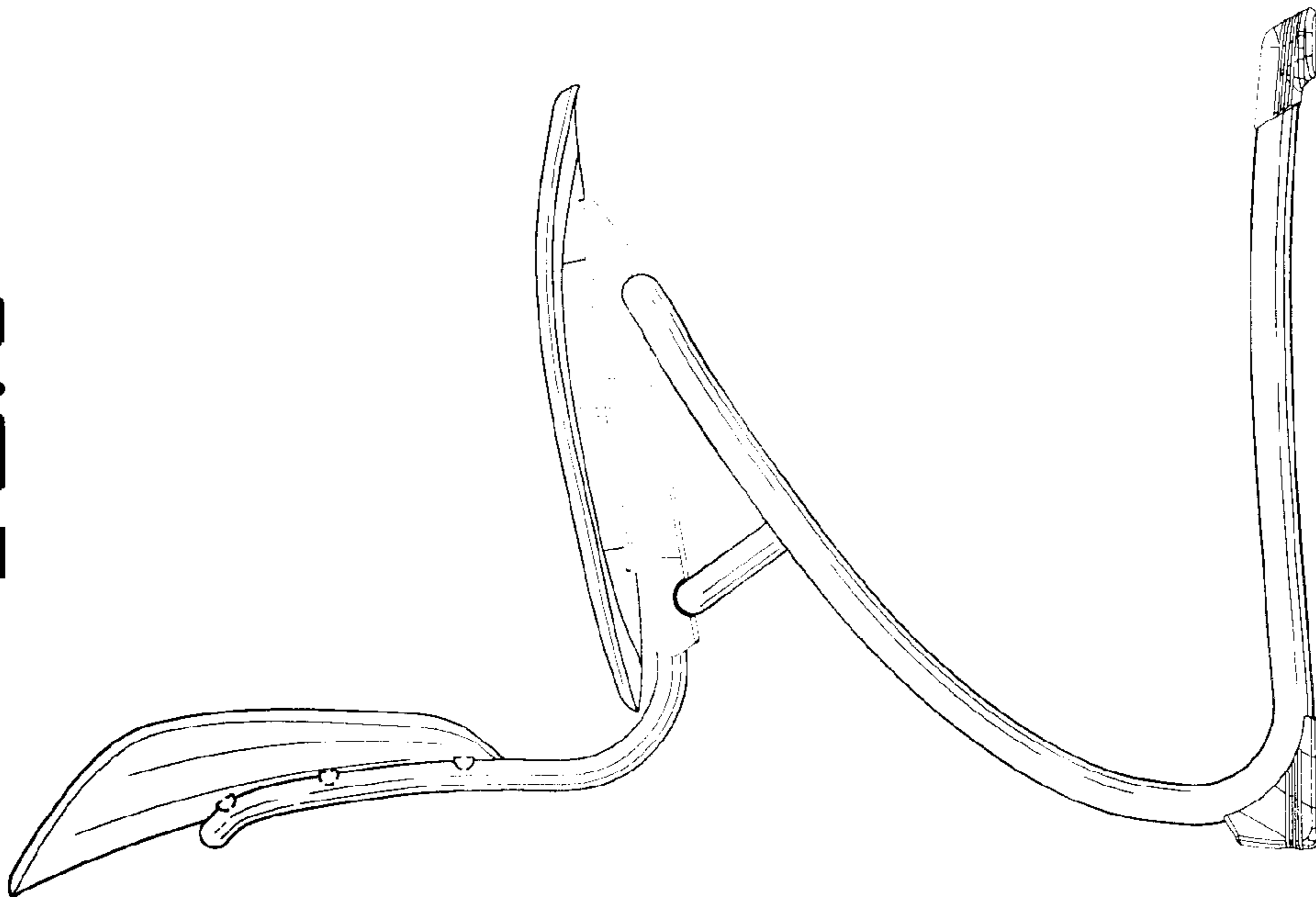


FIG. 6

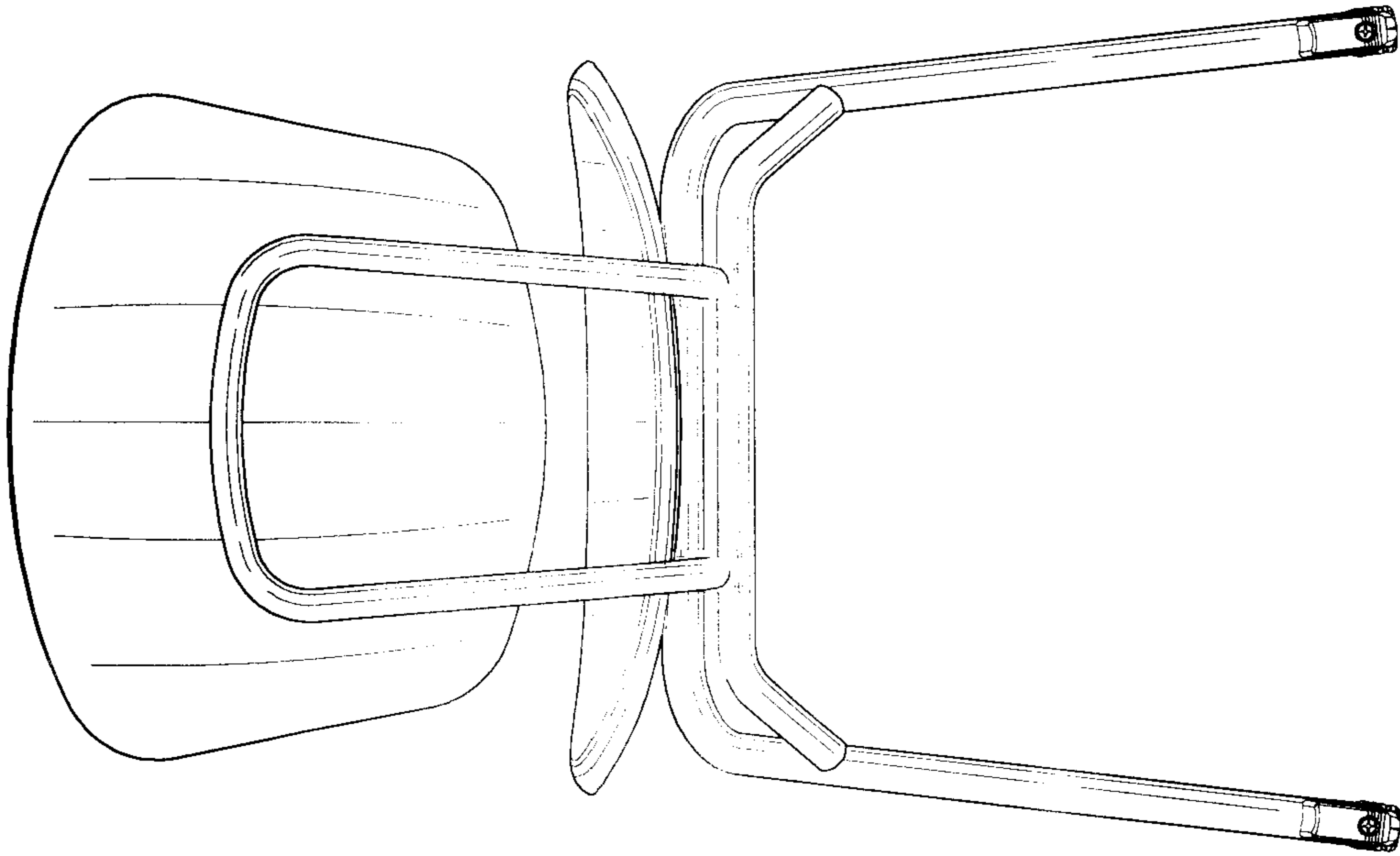
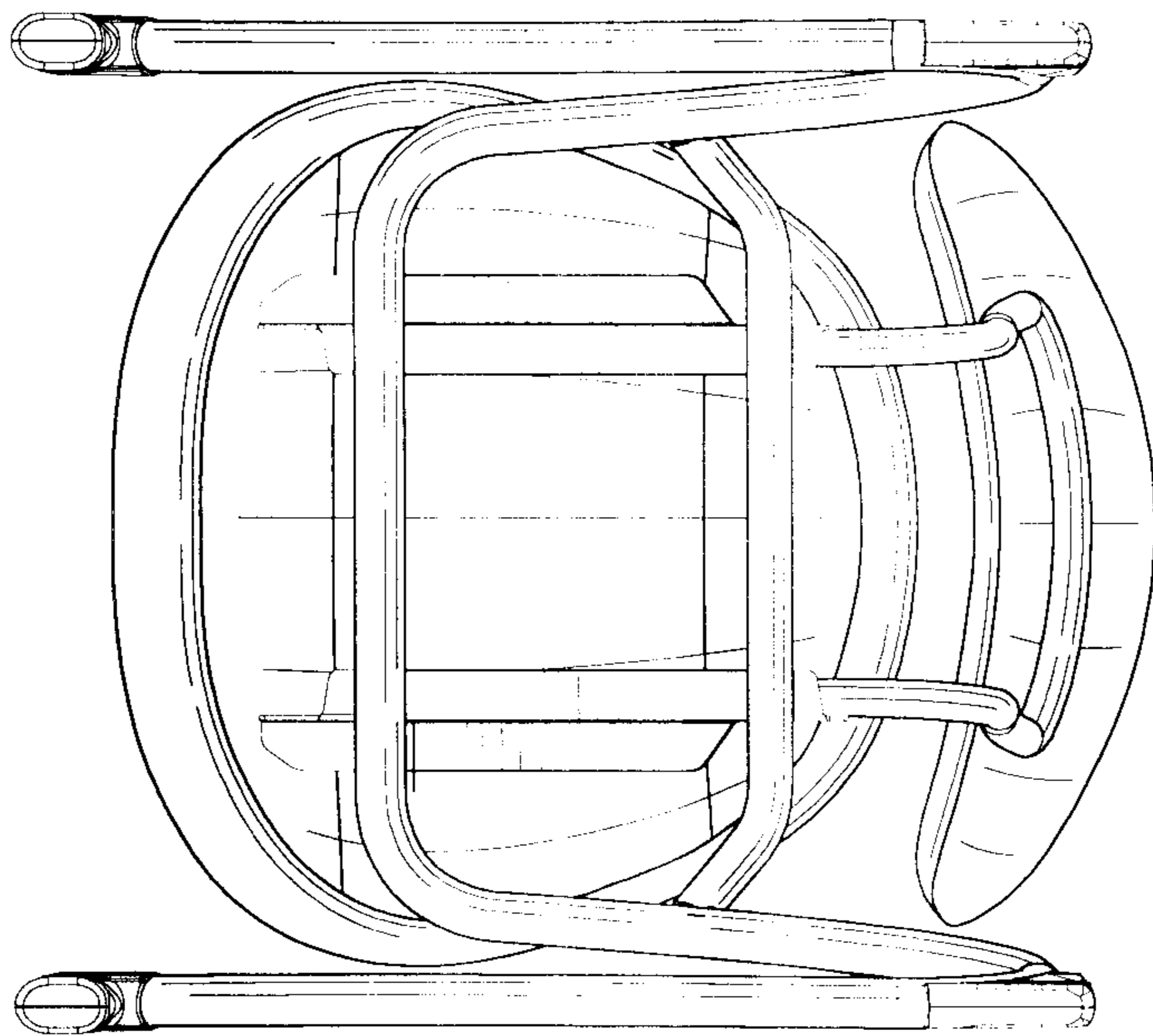


FIG. 5



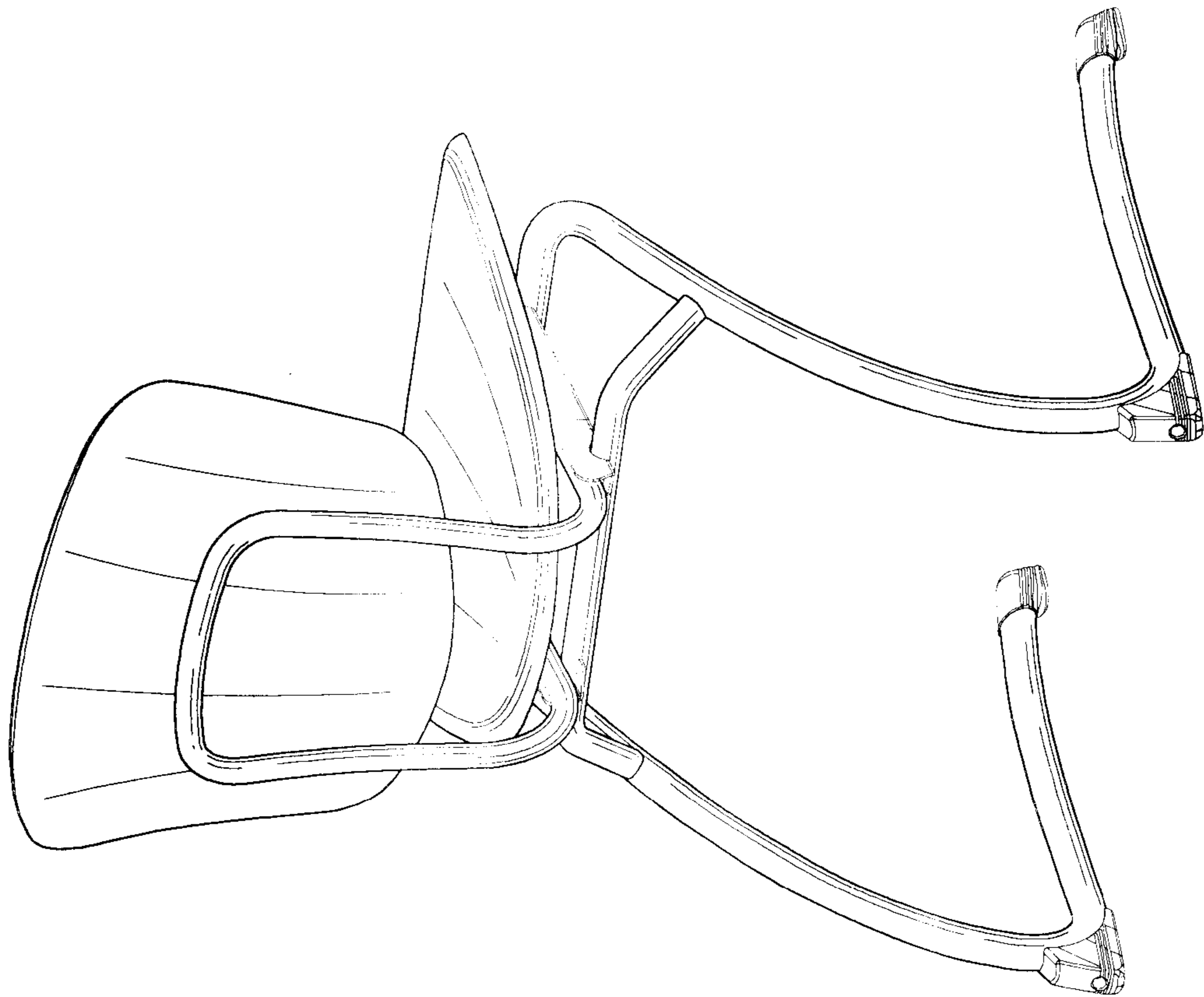


Fig. 7