



US00D521756S

(12) **United States Design Patent**
Moffa et al.

(10) **Patent No.:** **US D521,756 S**
(45) **Date of Patent:** **** May 30, 2006**

(54) **FOLDAWAY SEAT**
(75) Inventors: **Michael D. Moffa**, Glenview, IL (US);
Karim Mikhal, Highland, IN (US);
Anthony Purnell, Chicago, IL (US)

D233,918 S * 12/1974 Barecki D6/356
D234,555 S * 3/1975 Barecki D6/356
3,870,363 A * 3/1975 Barecki 297/232
4,386,804 A * 6/1983 Ware et al. 297/248
4,730,873 A * 3/1988 Janz 297/452.14
D475,209 S * 6/2003 Haney et al. D6/356

(73) Assignee: **Freedman Seating Company**, Chicago
(**) Term: **14 Years**

* cited by examiner

Primary Examiner—Doris V. Coles
Assistant Examiner—Mimosa De

(21) Appl. No.: **29/178,819**
(22) Filed: **Mar. 28, 2003**

(57) **CLAIM**

The ornamental design for a foldaway seat, substantially as shown and described.

(51) **LOC (8) Cl.** **06-01**
(52) **U.S. Cl.** **D6/368; D6/356**
(58) **Field of Classification Search** D6/334,
D6/335, 356, 364, 365, 374, 375, 376, 381,
D6/500-502; 297/183.1, 183.7, 183.8, 218.1,
297/232, 233, 248, 452.12, 452.14
See application file for complete search history.

DESCRIPTION

FIG. 1 is a left front elevational view of the foldaway seat in the unfolded position showing new design;
FIG. 2 is a front view thereof;
FIG. 3 is a back view thereof;
FIG. 4 is a right side view thereof;
FIG. 5 is a left side view thereof;
FIG. 6 is the bottom plan view thereof; and,
FIG. 7 is the top plan view thereof.

(56) **References Cited**
U.S. PATENT DOCUMENTS

D198,784 S * 8/1964 Barecki D6/356
3,729,226 A * 4/1973 Barecki 297/232
D230,786 S * 3/1974 Barecki D6/356

1 Claim, 4 Drawing Sheets





FIG. 1

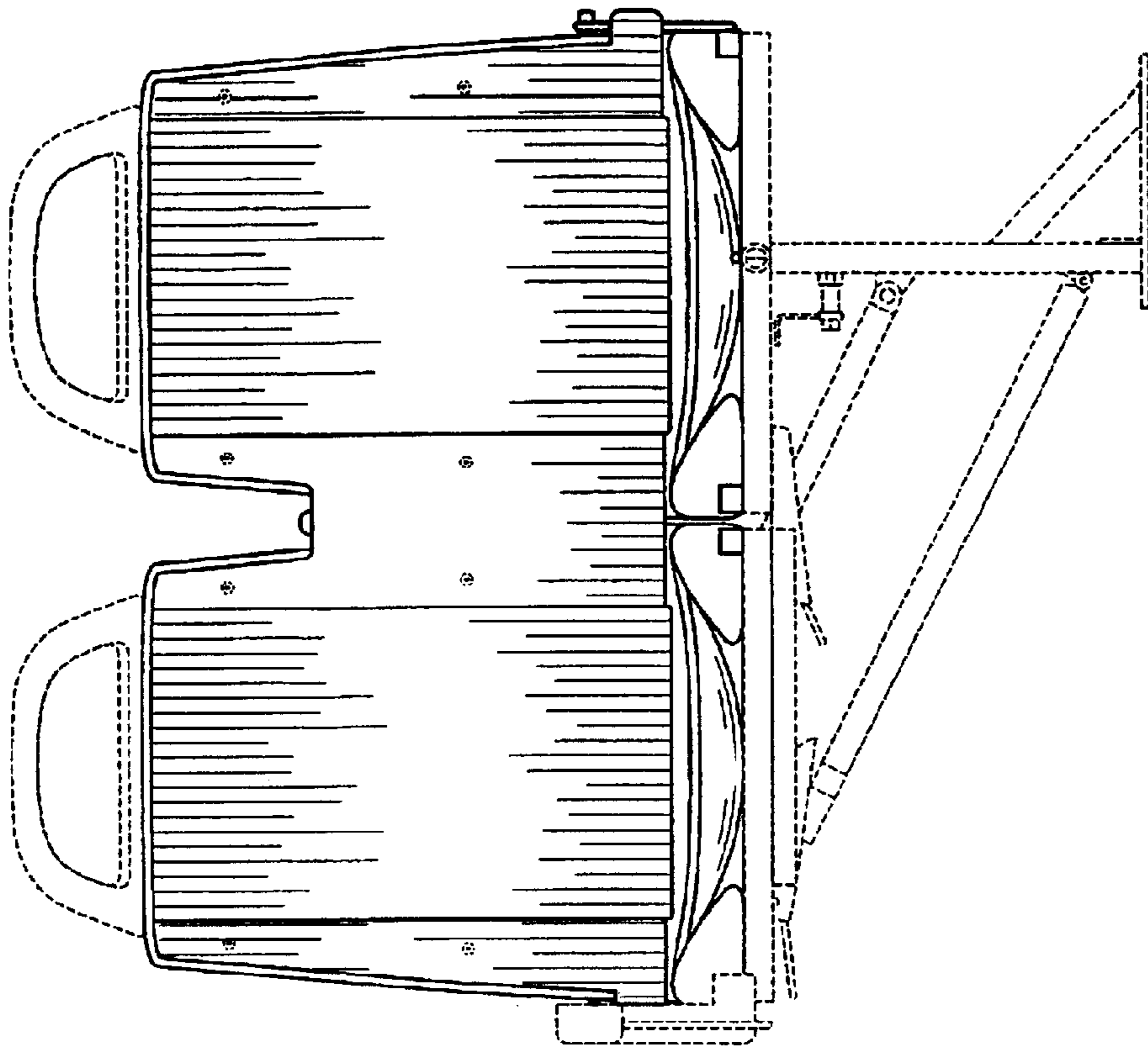


FIG. 3

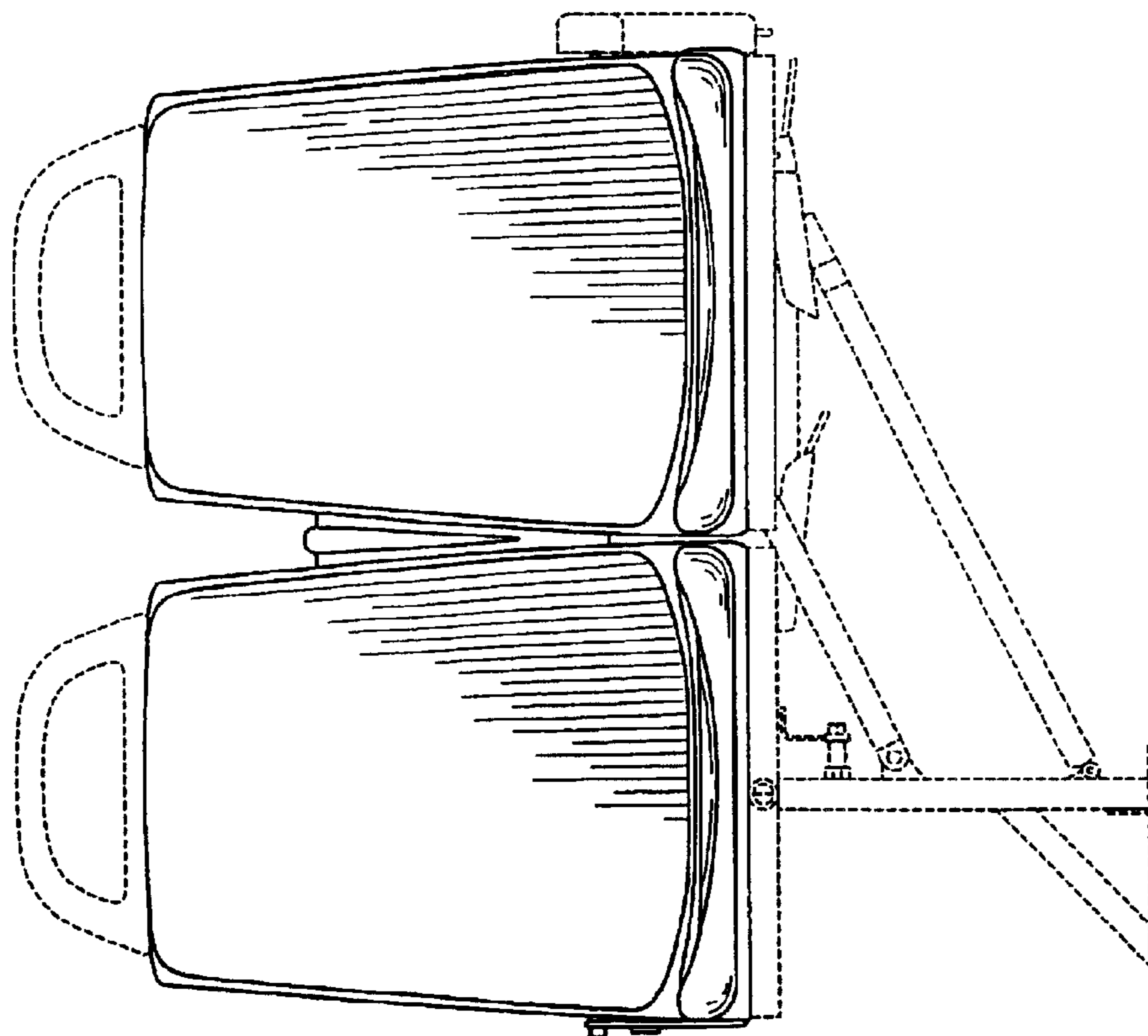


FIG. 2

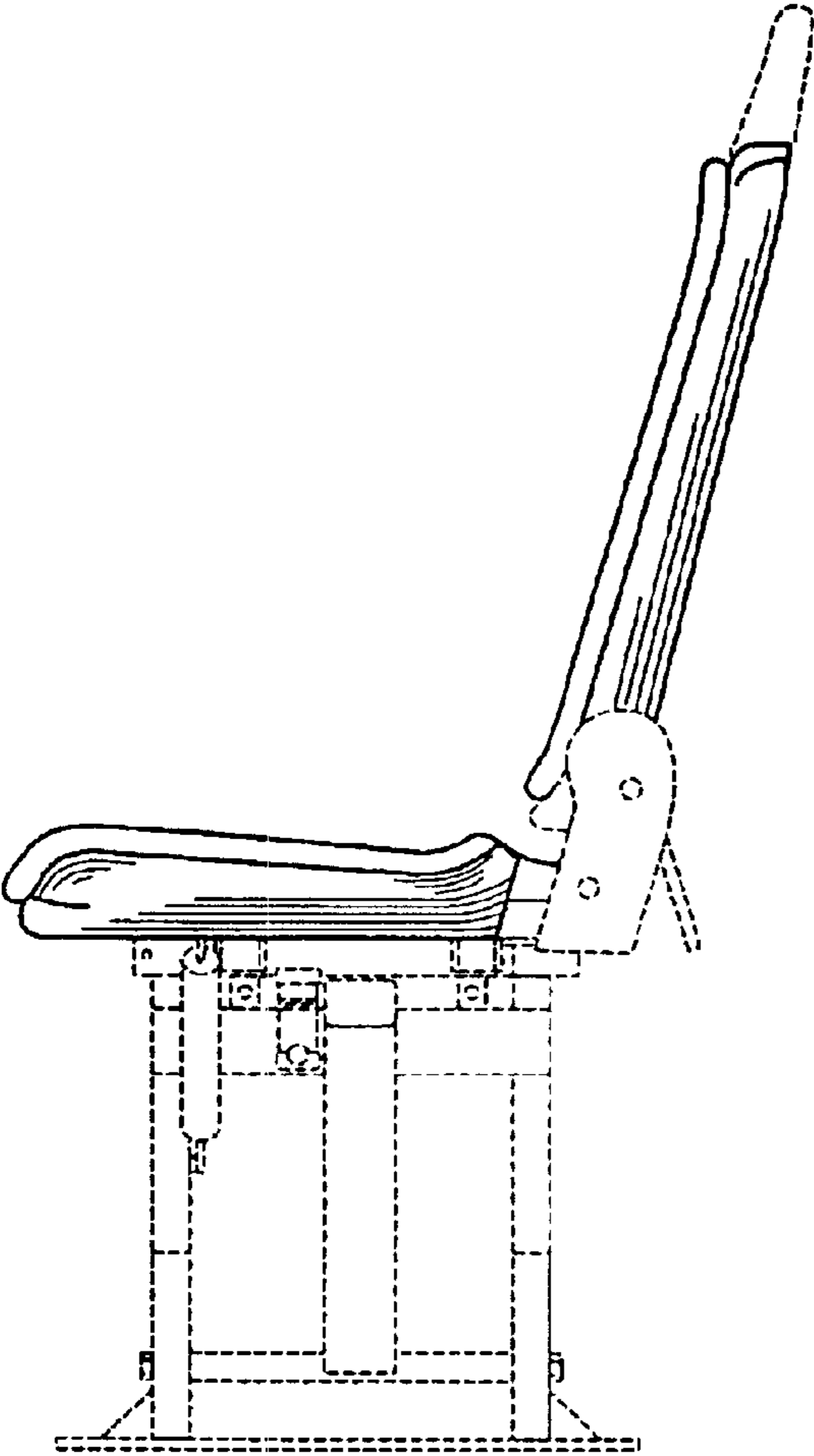


FIG. 4

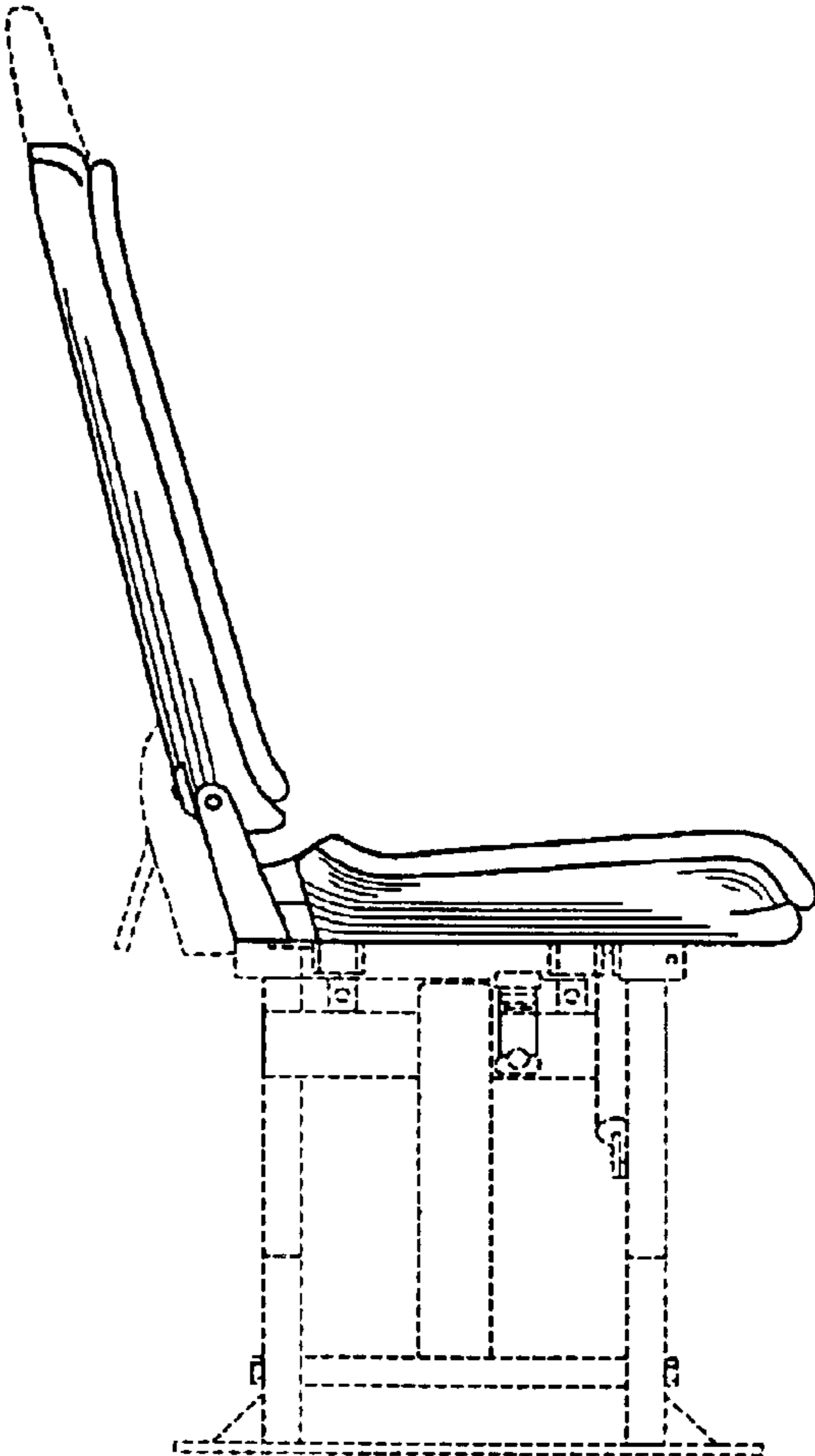


FIG. 5

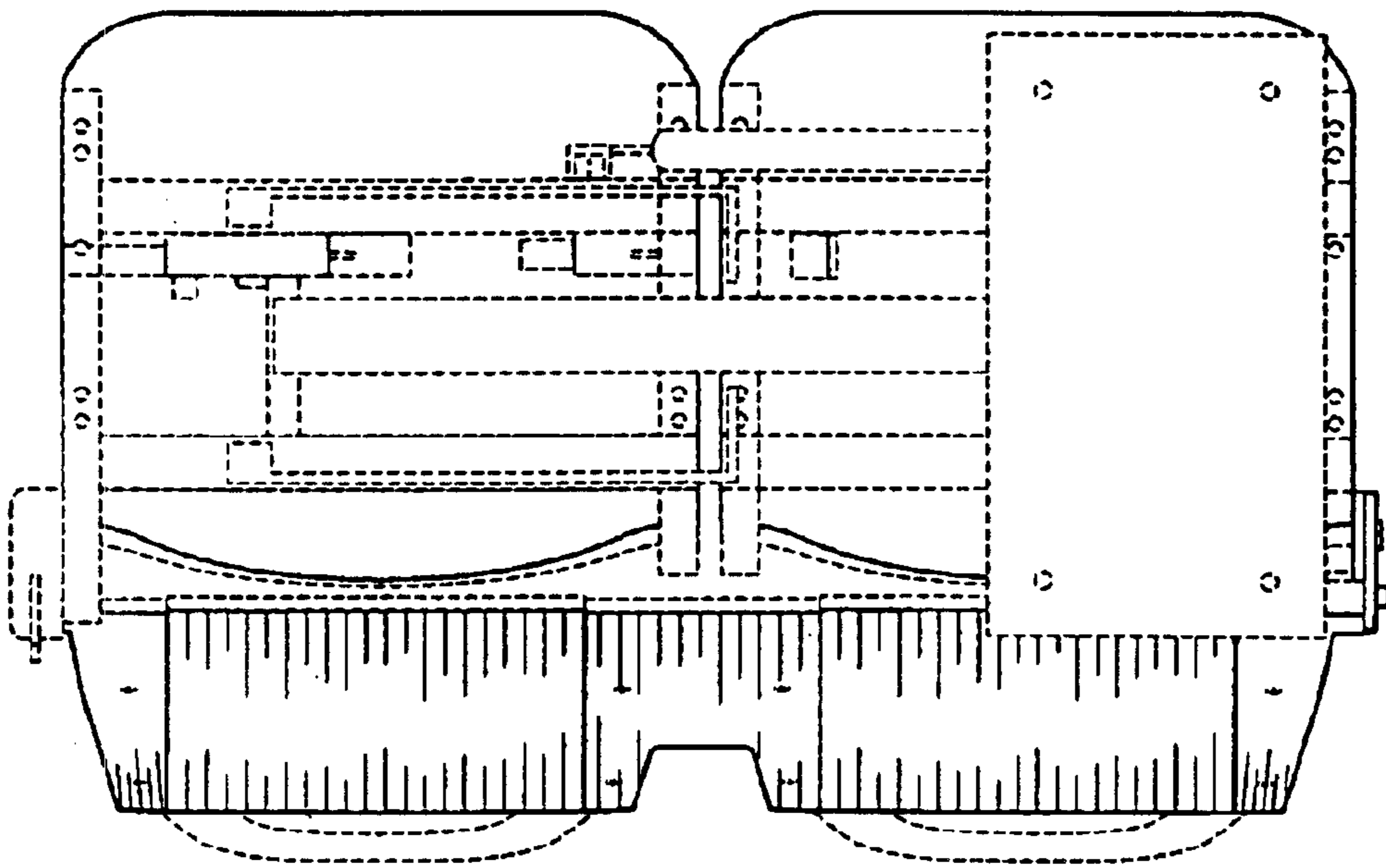


FIG. 6

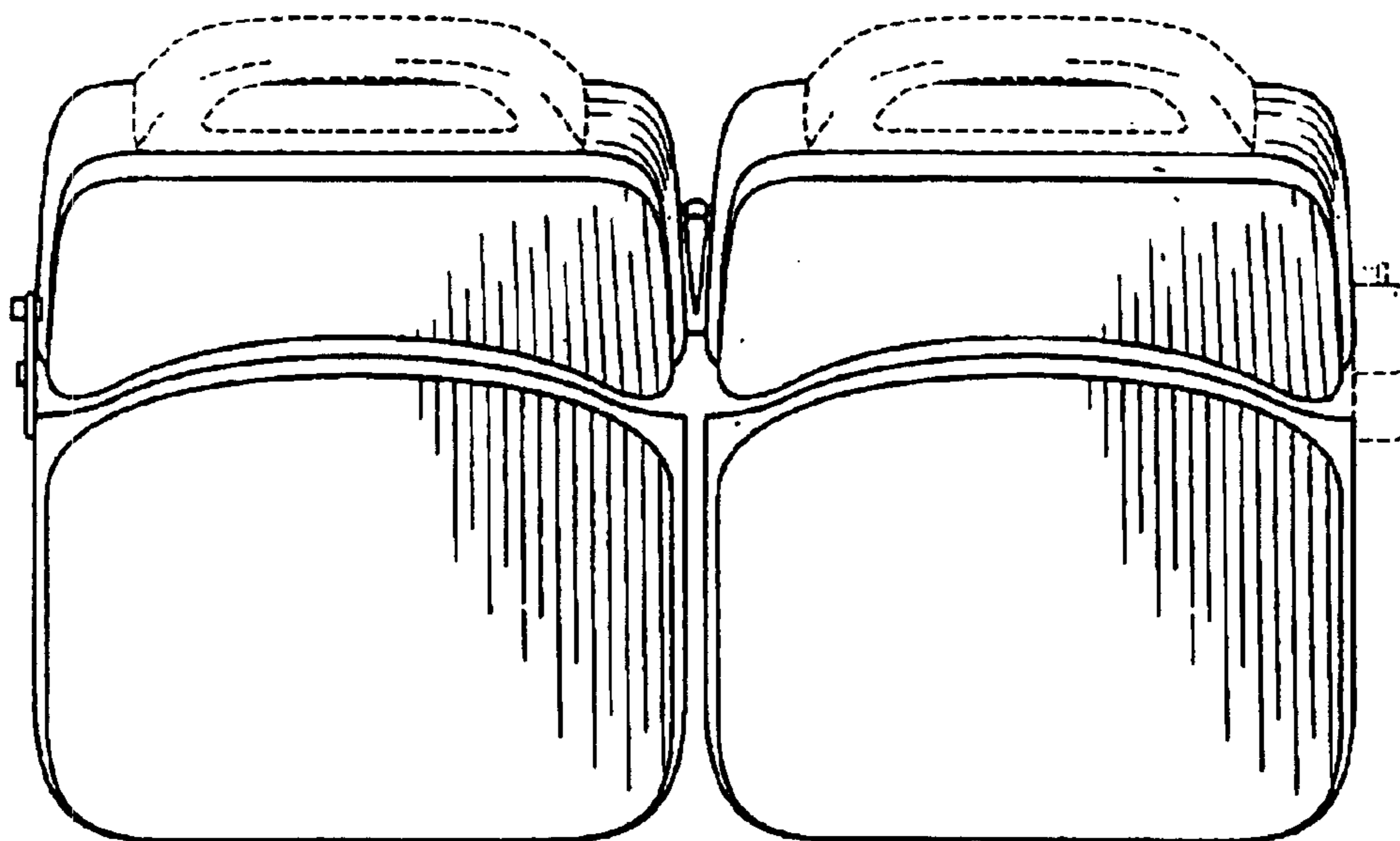


FIG. 7