



US00D521751S

(12) **United States Design Patent** (10) **Patent No.:** **US D521,751 S**
Glass et al. (45) **Date of Patent:** **** May 30, 2006**

(54) **CHAIR DESK COMBINATION**

(75) Inventors: **Peter Glass**, Arroyo Grande, CA (US);
Robert J. Mills, Torrance, CA (US);
Jamie Toland, Russellville, AK (US)

(73) Assignee: **Virco Mgmt. Corporation**, Torrance,
CA (US)

(**) Term: **14 Years**

(21) Appl. No.: **29/230,852**

(22) Filed: **May 27, 2005**

(51) **LOC (8) Cl.** **06-01**

(52) **U.S. Cl.** **D6/338**

(58) **Field of Classification Search** D6/334-339,
D6/349, 352, 364-366, 353, 369, 370, 495,
D6/500-502, 367, 368, 379, 480, 481, 483,
D6/484; 5/12.1; 297/445.1, 232, 446.1, 447.3,
297/448.1, 452.1, 118, 119, 122-126; 312/235.9;
108/11, 13, 15, 115

See application file for complete search history.

(56) **References Cited**

U.S. PATENT DOCUMENTS

1,420,404	A	6/1922	Beaver	
1,452,343	A	4/1923	Jones	
2,140,635	A	12/1938	Konarski	
2,162,560	A	6/1939	Larsen	
D149,982	S	* 6/1948	Sundberg	D6/373
D150,685	S	* 8/1948	Eames	D6/374
D155,272	S	* 9/1949	Eames	D6/374
2,488,222	A	* 11/1949	Morgan	312/235.9
D159,975	S	9/1950	Gilkison	
D159,992	S	9/1950	Kump, Jr.	
D163,170	S	5/1951	Eibetz	
D169,012	S	3/1953	Musacco	
D169,930	S	* 6/1953	Champan et al.	D6/374
D169,931	S	* 6/1953	Chapman et al.	D6/374
D171,116	S	* 12/1953	Adkinson	D6/374

(Continued)

OTHER PUBLICATIONS

Virco "Furniture Solutions" 2003 General Catalog, pp. 54,
60, 61, 64, 65, 67, and last page, 2027 Harpers Way,
Torrance, CA 90501.

American Desk, "Classroom Furniture," Catalog, pp. 6, 16,
18 and end page, P.O. Box 6107, Temple TX 76403, © 1993.
Artco-Bell Corporation, "Furniture to Enhance Education,"
Catalog, pp. 6, 12, 13 and 17, Culver-Newlin, Inc., 840
Wanamaker Ave., Ontario CA 91761, no date.
Artco-Bell Corporation, "Product Library 2001," Catalog,
pp. 7, 8, 9, 12, 13, and end page, P.O. Box 608, 1302
Industrial Blvd., Temple, TX 76403, no date.
Capital Seating Company, "Premium Quality Classroom
Furniture," Catalog, 3 pages.
CDF, "School Furniture," Catalog, 3 pages, no date.
Ivy League School Furniture, Catalog, 6 pages, no date.
National School Lines, "Classroom Furniture," Catalog, pp.
1, 5, and 6, Oshkosh, WI, www.nsi-inc.com, no date.
Royal Seating Corporation, "Educational and Computer
Furniture," Catalog, pp. 16, 17, and 20, no date.
Scholarcraft, "School Furniture," Catalog, pp. 10-20 and
end page, P.O. Box 170748, Birmingham, AL, 35217
(2001), no date.

Primary Examiner—Sandra S. Snapp

(74) *Attorney, Agent, or Firm*—Robert M. Hupe; Virco
Mgmt. Corporation

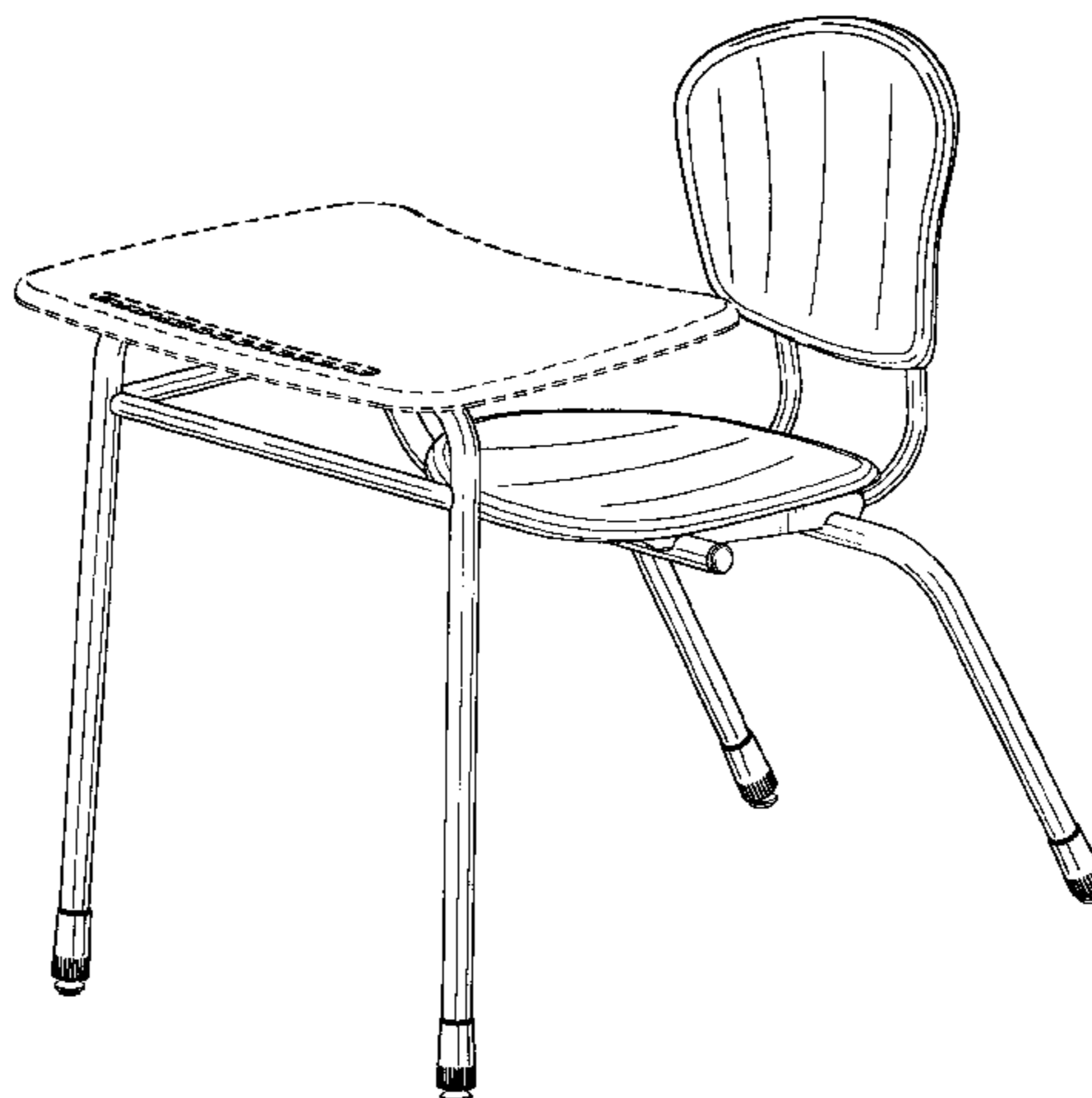
(57) **CLAIM**

The ornamental design for a chair desk combination, as
shown and described.

DESCRIPTION

FIG. 1 is a front perspective view of a chair desk combina-
tion showing my new design;
FIG. 2 is a top view thereof;
FIG. 3 is a front elevation view thereof;
FIG. 4 is a back elevation view thereof;
FIG. 5 is a left side view thereof;
FIG. 6 is a right side view thereof;
FIG. 7 is a bottom view thereof; and,
FIG. 8 is a back perspective view thereof.
The broken lines in the drawings are for illustrative purposes
only and form no part of the claimed design.

1 Claim, 8 Drawing Sheets



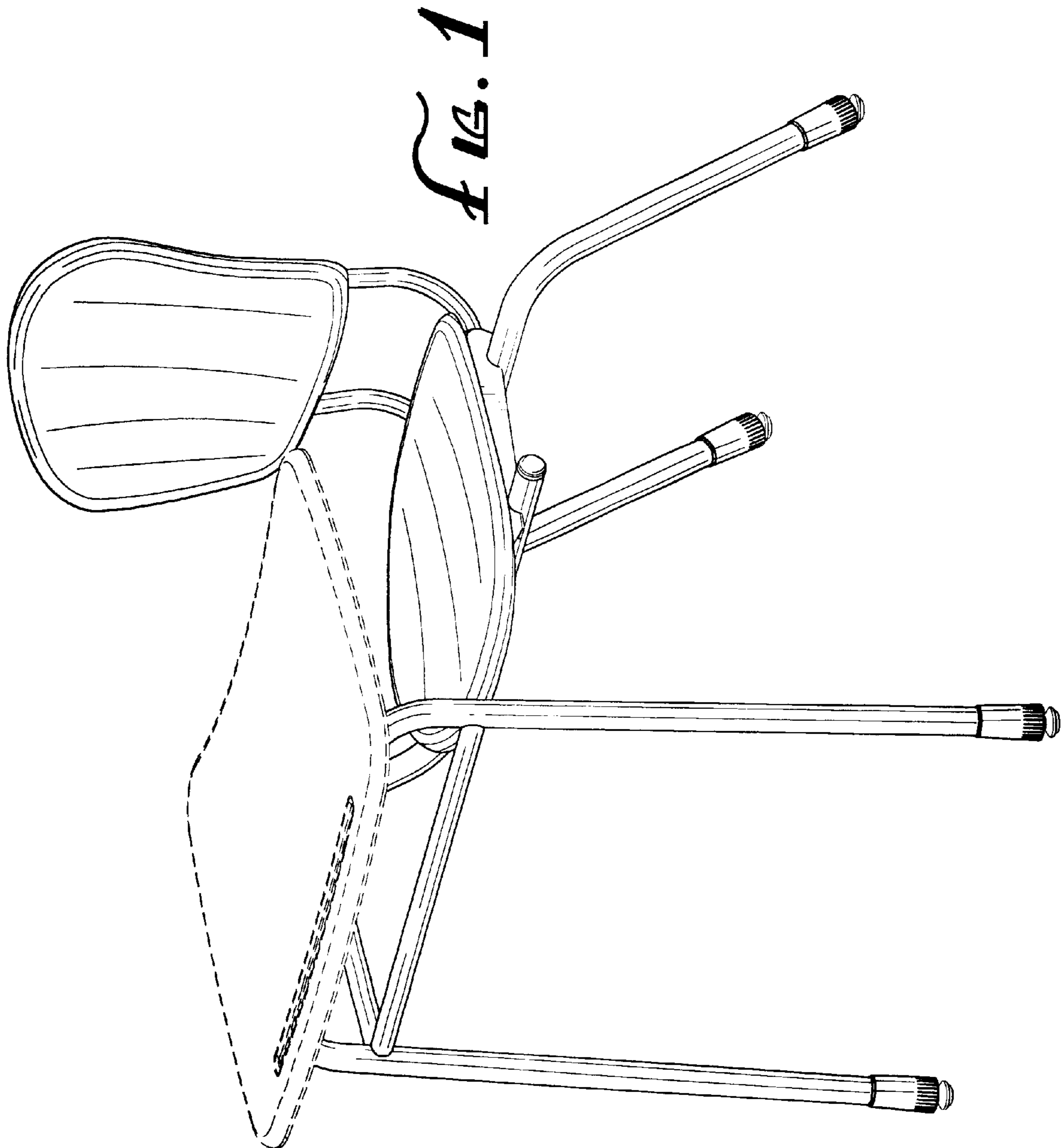
US D521,751 S

Page 2

U.S. PATENT DOCUMENTS

2,722,965	A	11/1955	Chapman et al.				
2,732,007	A	1/1956	MacWhirter				
D177,295	S	* 3/1956	Wright	D6/374		
D181,241	S	* 10/1957	Swanson	D6/374		
D181,703	S	12/1957	Bargen				
D189,347	S	* 11/1960	Chapman	D6/375		
2,970,635	A	2/1961	Fields				
3,057,659	A	10/1962	Bargen et al.				
D195,620	S	* 7/1963	Chapman	D6/374		
D197,283	S	* 1/1964	Williams	D6/338		
3,133,765	A	* 5/1964	Kramer	297/446.1		
D202,550	S	* 10/1965	Kramer	D6/375		
3,276,818	A	* 10/1966	Durfee	297/448.1		
3,284,132	A	11/1966	Chapman et al.				
D206,721	S	* 1/1967	Durfee	D6/338		
3,353,866	A	11/1967	Chapman et al.				
D226,066	S	* 1/1973	Barecki	D6/338		
4,159,846	A	* 7/1979	Tolleson	297/162		
D283,563	S	4/1986	Arroyo				
D333,044	S	* 2/1993	Caruso	D6/373		
D348,569	S	* 7/1994	Haussmann	D6/338		
D360,083	S	* 7/1995	Lohmeyer	D6/375		
D388,629	S	* 1/1998	Piretti	D6/380		
D406,195	S	* 3/1999	Gamberini	D6/341		
6,039,392	A	3/2000	Dencker				
D425,321	S	* 5/2000	Tholkes et al.	D6/338		
D469,969	S	* 2/2003	Glass et al.	D6/374		
D471,729	S	* 3/2003	Glass et al.	D6/375		
D475,207	S	* 6/2003	Bosman et al.	D6/338		
D477,921	S	8/2003	Bosman et al.				
D503,559	S	* 4/2005	Glass et al.	D6/372		
D504,026	S	* 4/2005	Glass et al.	D6/366		
D505,022	S	* 5/2005	Mills et al.	D6/338		
D507,890	S	* 8/2005	Mills et al.	D6/336		
D507,893	S	* 8/2005	Glass et al.	D6/360		
2003/0227210	A1	* 12/2003	Bosman et al.	297/446.2		
2003/0230914	A1	* 12/2003	Bosman et al.	297/183.7		

* cited by examiner



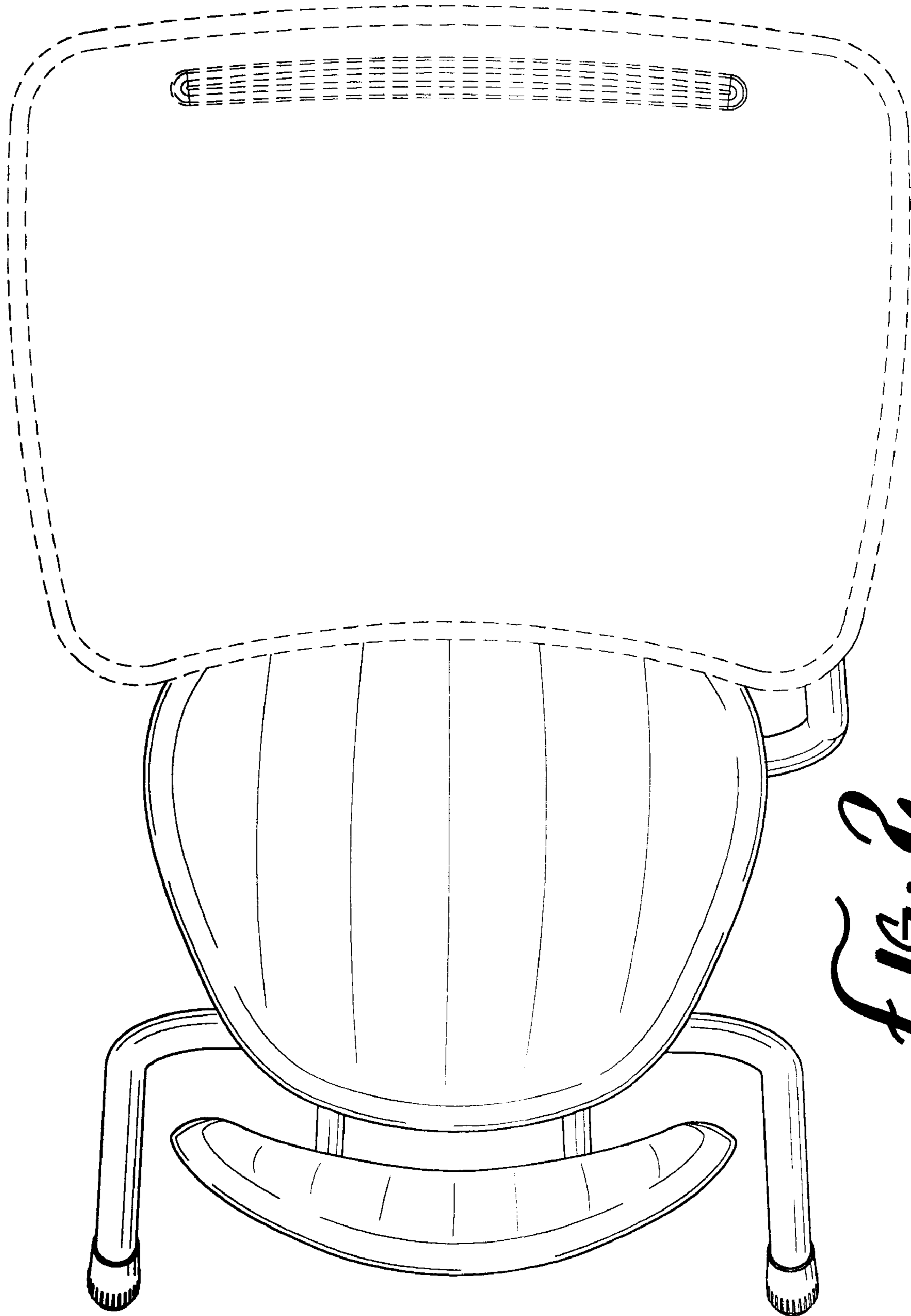


Fig. 2

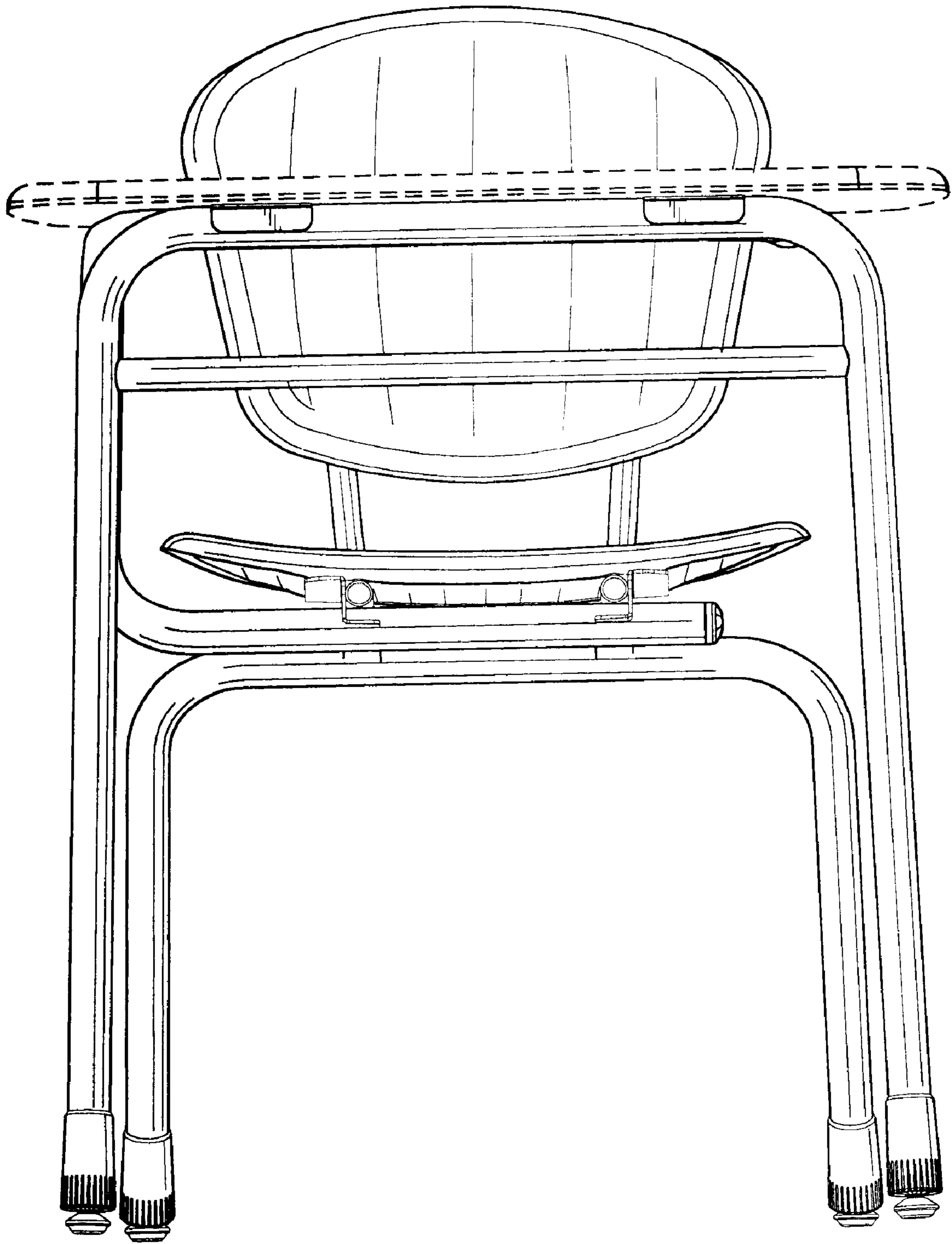


FIG. 3

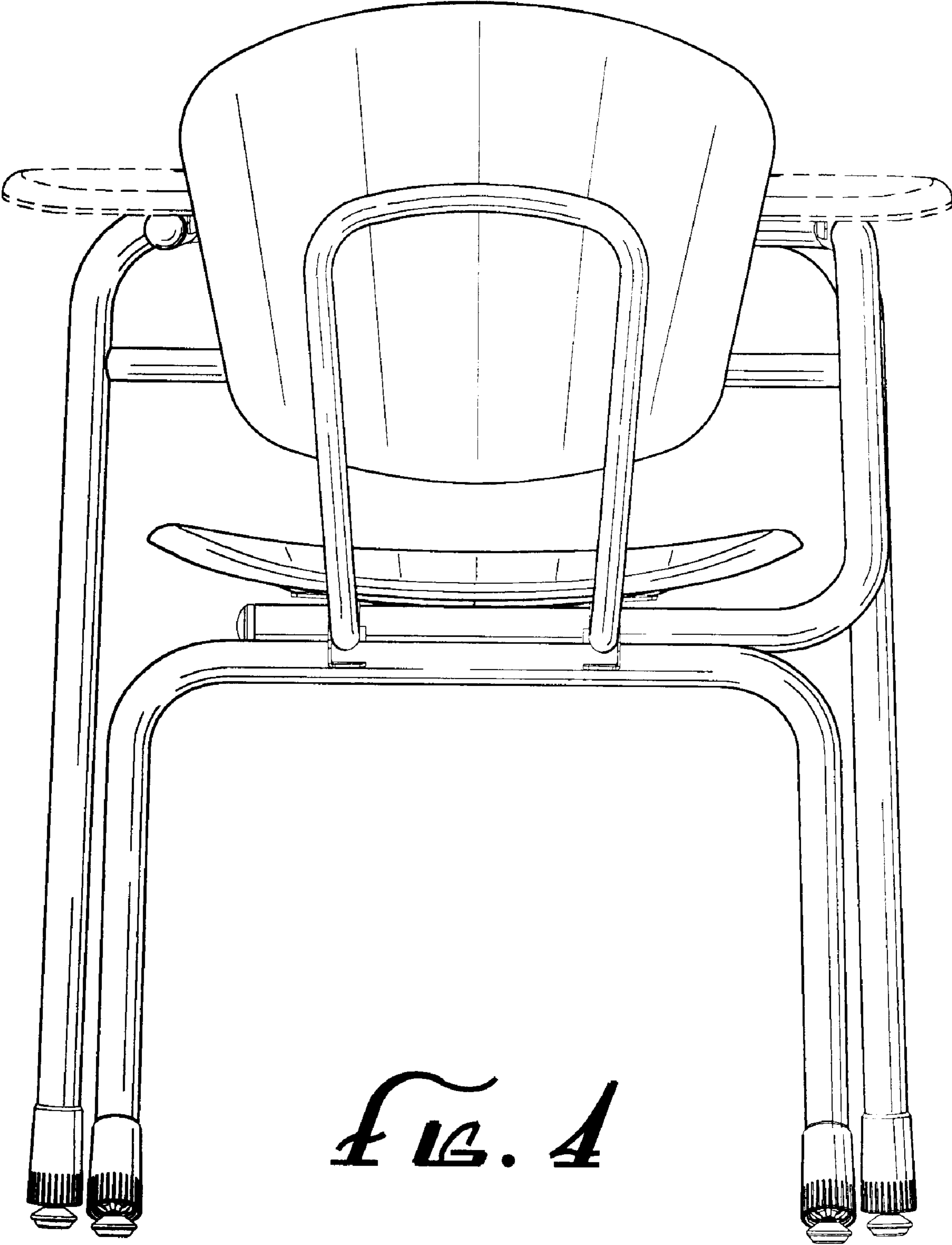


FIG. 4

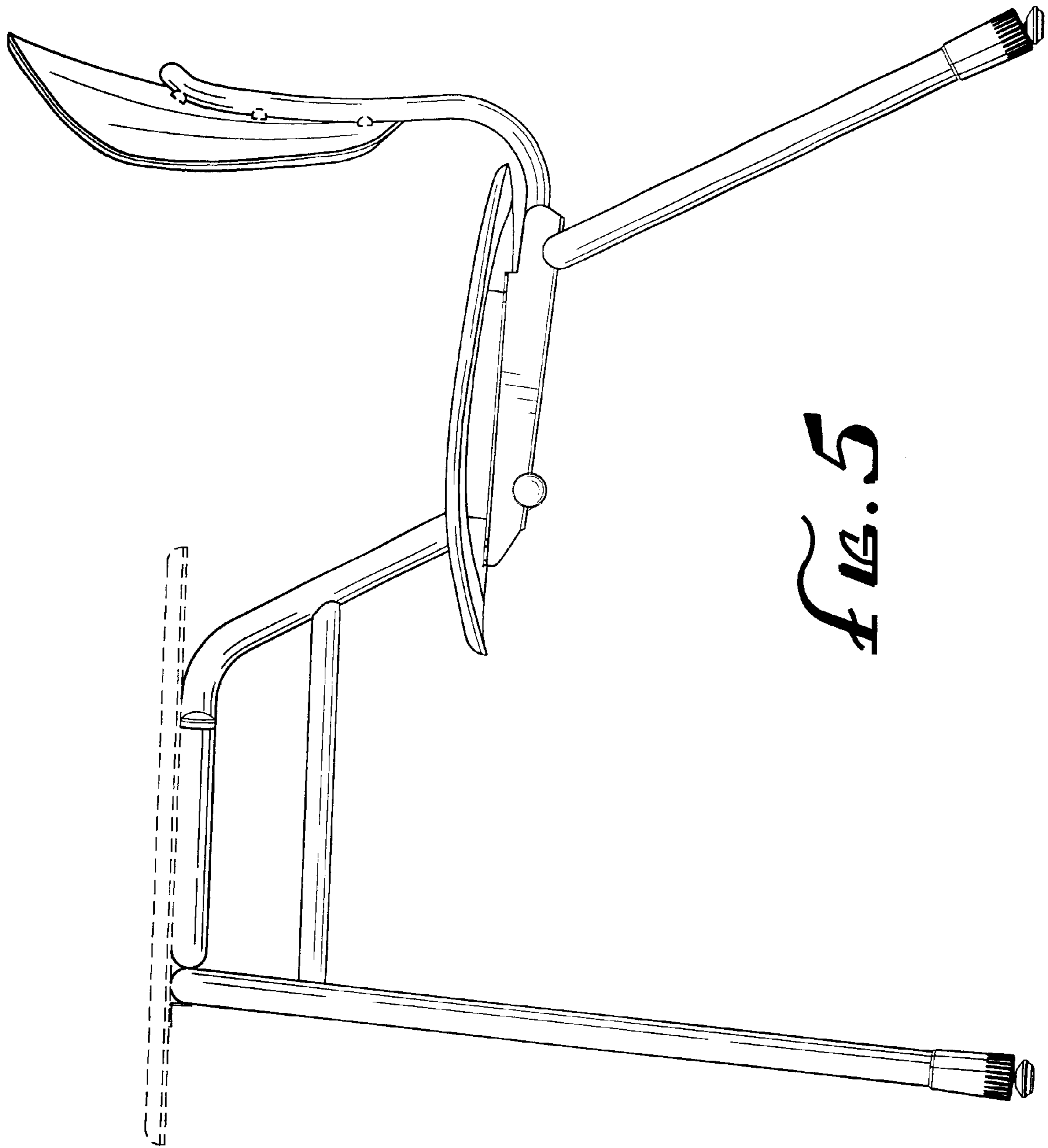


FIG. 5

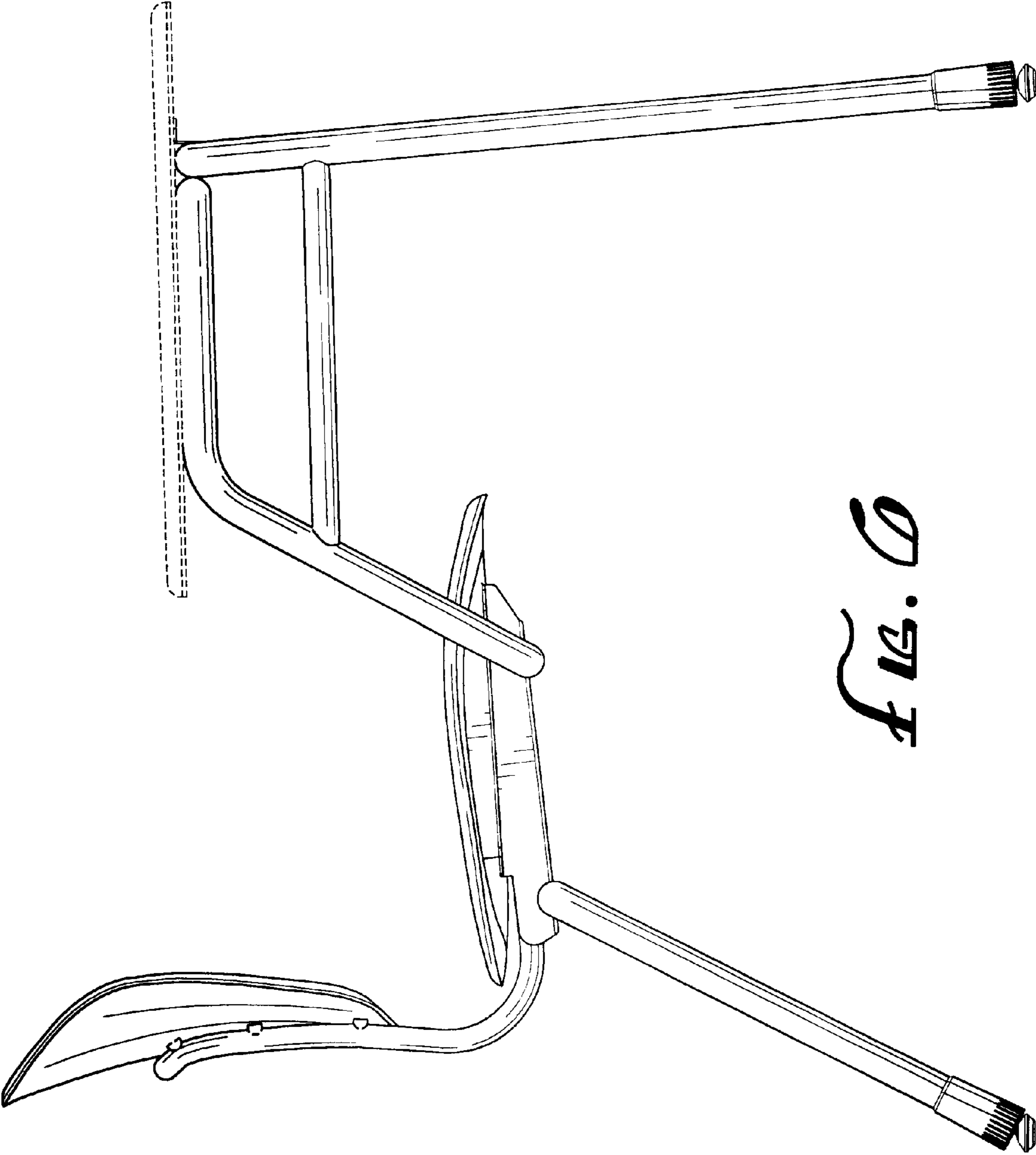


FIG. 6

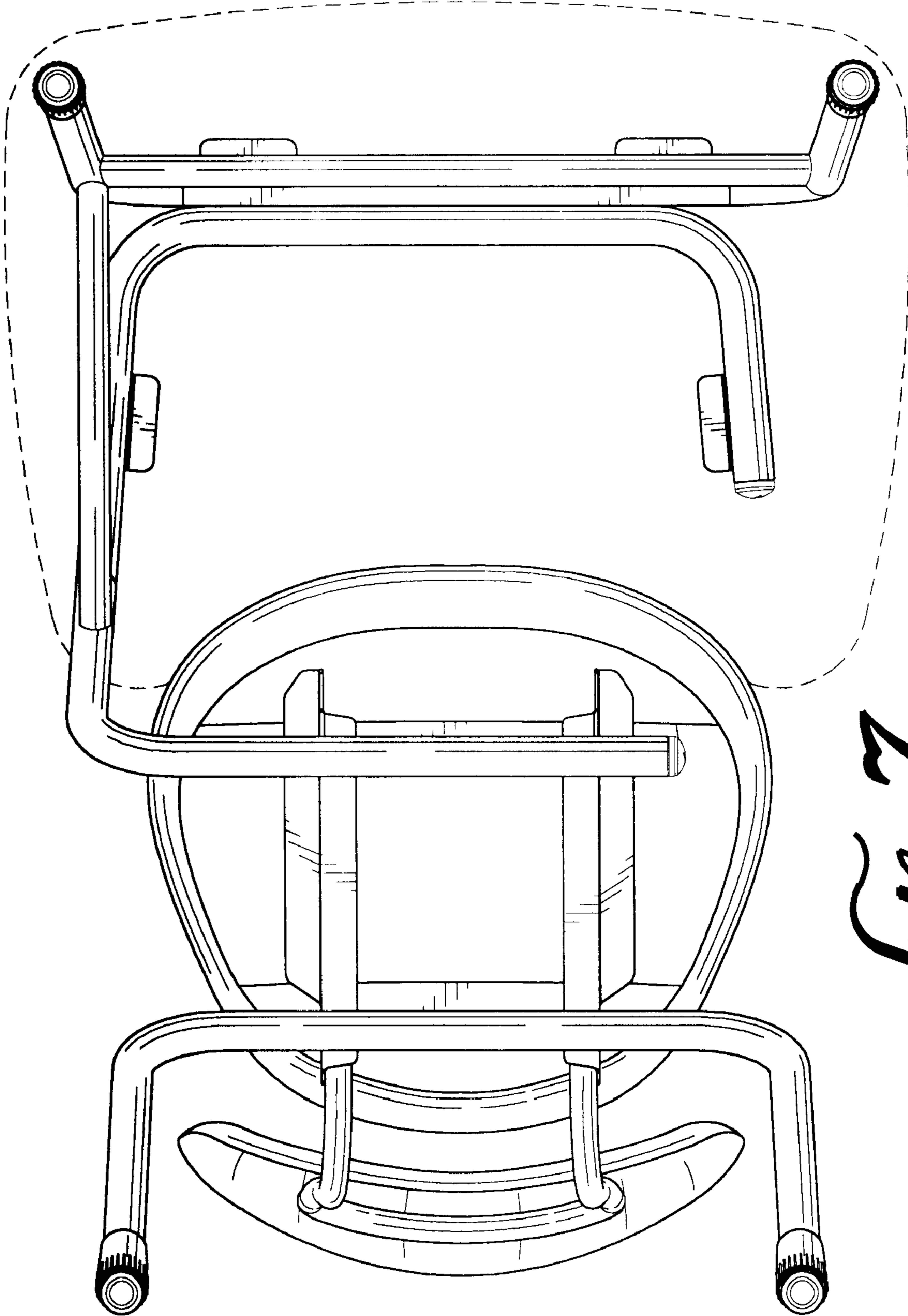


FIG. 7

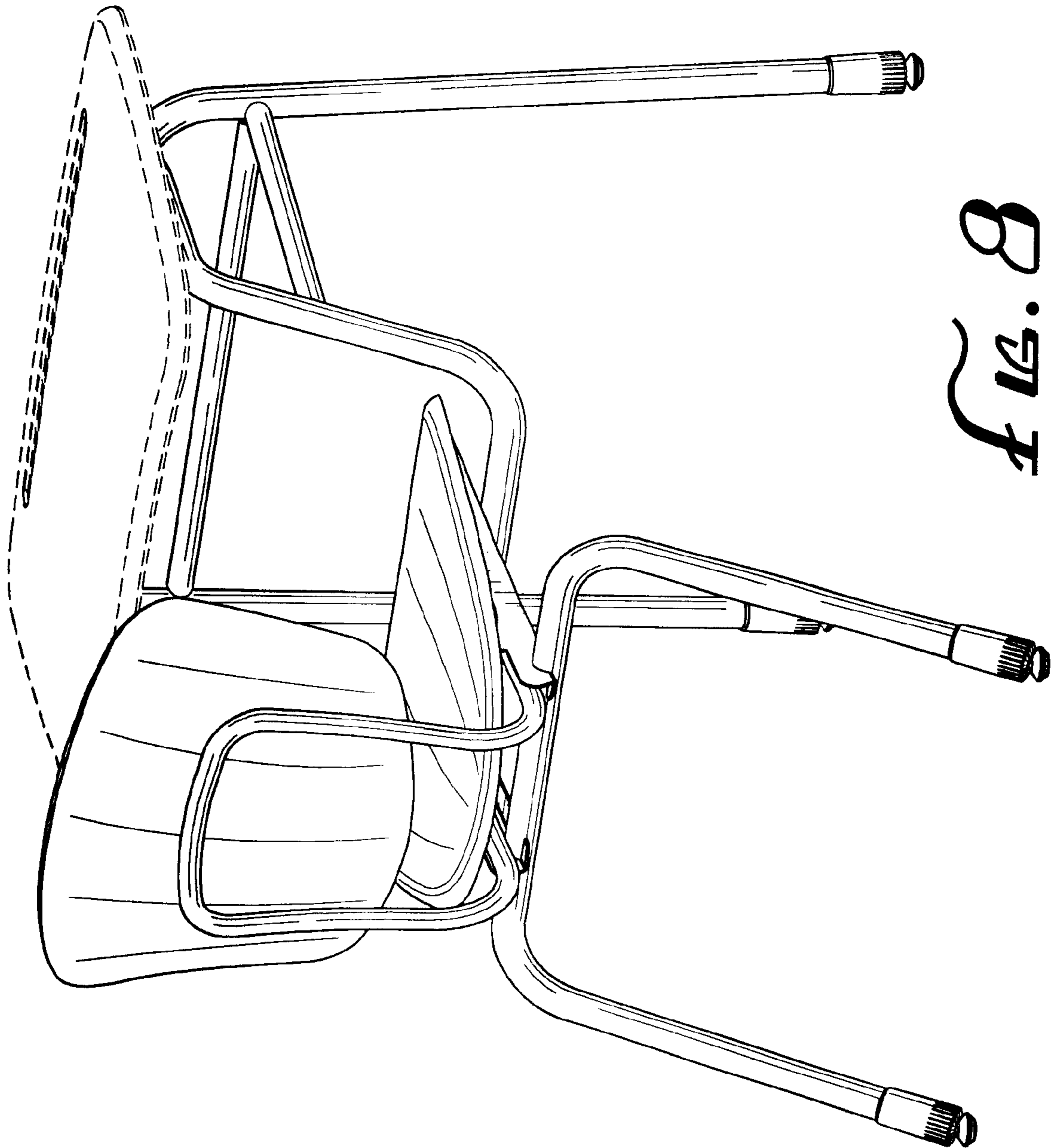


Fig. 8