



US00D521750S

(12) **United States Design Patent** (10) **Patent No.:** **US D521,750 S**
Glass et al. (45) **Date of Patent:** **** May 30, 2006**

(54) **CHAIR DESK COMBINATION**

(75) Inventors: **Peter Glass**, Arroyo Grande, CA (US);
Robert J. Mills, Torrance, CA (US)

(73) Assignee: **Virco Mgmt. Corporation**, Torrance,
CA (US)

(**) Term: **14 Years**

(21) Appl. No.: **29/231,655**

(22) Filed: **Jun. 7, 2005**

(51) **LOC (8) Cl.** **06-01**

(52) **U.S. Cl.** **D6/336**

(58) **Field of Classification Search** D6/334–339,
D6/349, 352, 364–366, 353, 369, 370, 495,
D6/500–502, 367, 368, 379, 480, 481, 483,
D6/484; 5/12.1; 297/445.1, 232, 446.1, 447.3,
297/448.1, 452.1, 118, 119, 122–126; 312/235.9;
108/11, 13, 15, 115

See application file for complete search history.

(56) **References Cited**

U.S. PATENT DOCUMENTS

2,488,222	A	*	11/1949	Morgan	312/235.9
D159,975	S	*	9/1950	Gilkison	D6/338
D189,347	S	*	11/1960	Chapman	D6/375
D197,283	S	*	1/1964	Williams	D6/338
3,133,765	A	*	5/1964	Kramer	297/446.1
D202,550	S	*	10/1965	Kramer	D6/375

(Continued)

OTHER PUBLICATIONS

2 Photos of Artco–Bell Chairs, Jan. 2005.

Internet Advertisement for desk and chair combination,
publication date unknown, but at least as early as Jun. 14,
2005.

From Artco–Bell Web site, date unknown, but at least as
early as Jun. 20, 2005.

Internet Advertisement: New Product Introductions, Neo-
Con, Chicago, 2005.

Internet Advertisement: Trica Stools, publication date
unknown.

Internet Advertisement: Chair–One BooHo, publication date
unknown.

Internet Advertisement: Korea Federation of Furniture
Industry Cooperatives, publication date unknown.

Internet Advertisement: NeoCon World’s Trade Fair 2005,
Jun. 13–15, 2005.

Internet Advertisement: NeoCon World’s Trade Fair Interior
Design Show Daily, publication date unknown.

Internet Advertisement: ERG International—Office and
Contract Furniture, publication date unknown.

Internet Advertisement: Versteel—Chela, publication date
unknown.

(Continued)

Primary Examiner—Sandra S. Snapp

(74) *Attorney, Agent, or Firm*—Denton L. Anderson;
Sheldon & Mak; Robert M. Hupe

(57) **CLAIM**

The ornamental design for a chair desk combination, as
shown and described.

DESCRIPTION

FIG. 1 is a perspective view of the chair desk combination
of the invention;

FIG. 2 is a top view of the chair desk combination illustrated
in FIG. 1;

FIG. 3 is a front view of the chair desk combination
illustrated in FIG. 1;

FIG. 4 is a rear view of the chair desk combination illus-
trated in FIG. 1;

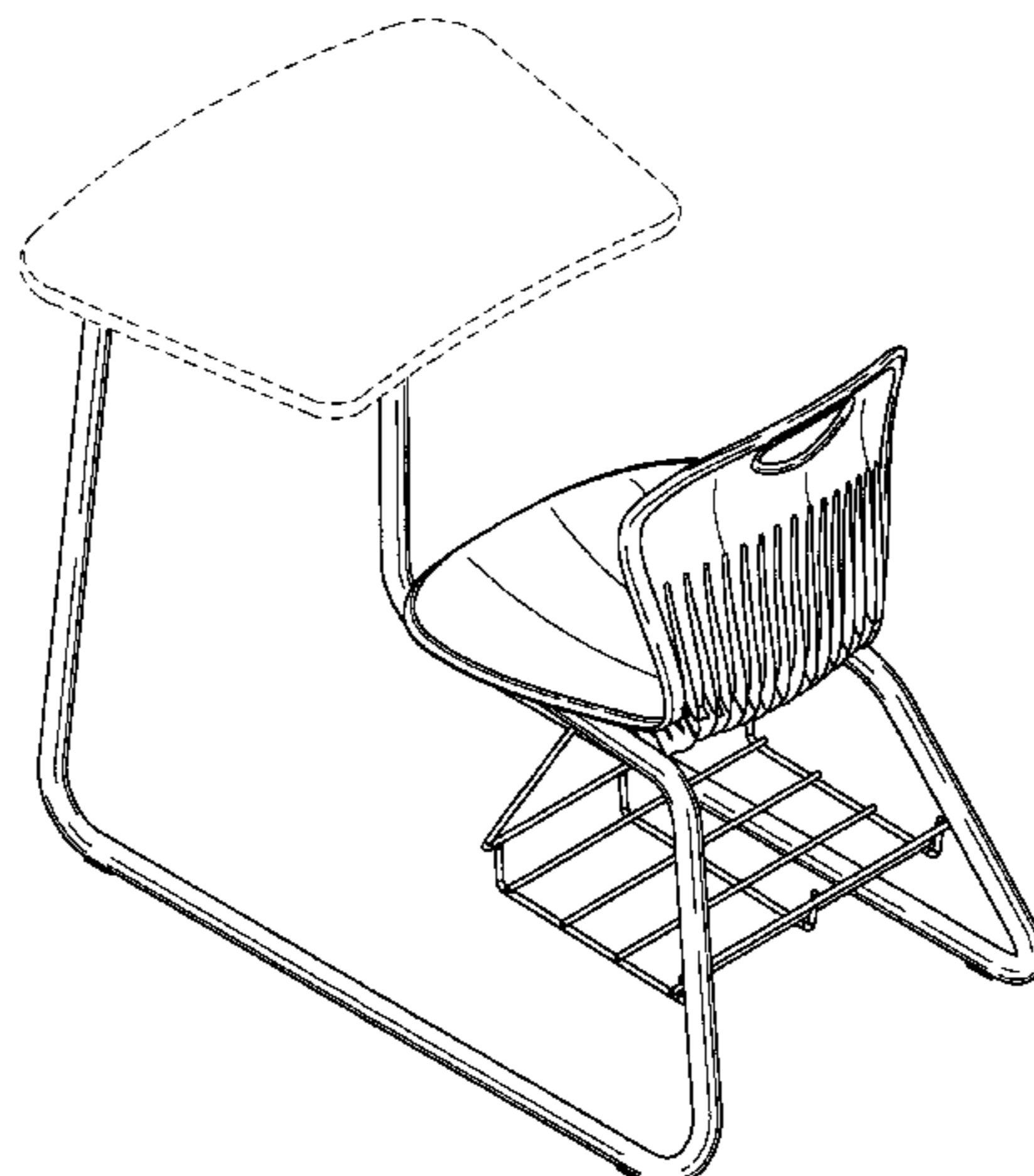
FIG. 5 is a left side view (and the mirror image of the right
side view) of the chair desk combination illustrated in FIG.
1;

FIG. 6 is a bottom view of the chair desk combination
illustrated in FIG. 1; and,

FIG. 7 is a second perspective view of the chair desk
combination illustrated in FIG. 1.

The broken lines in the drawings are for illustrative purposes
only and form no part of the claimed design.

1 Claim, 7 Drawing Sheets



US D521,750 S

Page 2

U.S. PATENT DOCUMENTS

D206,721 S * 1/1967 Durfee D6/338
D226,066 S * 1/1973 Barecki D6/338
4,002,369 A 1/1977 Jennings
4,159,846 A * 7/1979 Tolleson 297/162
D333,044 S * 2/1993 Caruso D6/373
D348,569 S * 7/1994 Haussmann D6/338
D360,083 S * 7/1995 Lohmeyer D6/375
D406,195 S * 3/1999 Gamberini D6/341
D425,321 S * 5/2000 Tholkes et al. D6/338
D470,320 S 2/2003 Schloss
D471,729 S * 3/2003 Glass et al. D6/375
D471,730 S 3/2003 Schloss
D475,207 S * 6/2003 Bosman et al. D6/338
D499,260 S 12/2004 Glass et al.
D503,559 S * 4/2005 Glass et al. D6/372
D504,026 S * 4/2005 Glass et al. D6/366
D505,022 S * 5/2005 Mills et al. D6/338
D507,890 S * 8/2005 Mills et al. D6/336

D507,893 S * 8/2005 Glass et al. D6/360
2003/0227210 A1 * 12/2003 Bosman et al. 297/446.2
2003/0230914 A1 * 12/2003 Bosman et al. 297/183.7

OTHER PUBLICATIONS

Internet Advertisement: Allermuir—Furniture Manufacturers, publication date unknown.

Internet Advertisement: HermanMiller for Business, publication date unknown.

Internet Advertisement: Bernhardt Design, publication date unknown.

Internet Advertisement: Gauss—Chair.com, publication date unknown.

Internet Advertisement: TMC The Midlands Company, publication date unknown.

Internet Advertisement: Steelmobil—Prodotti, publication date unknown.

* cited by examiner

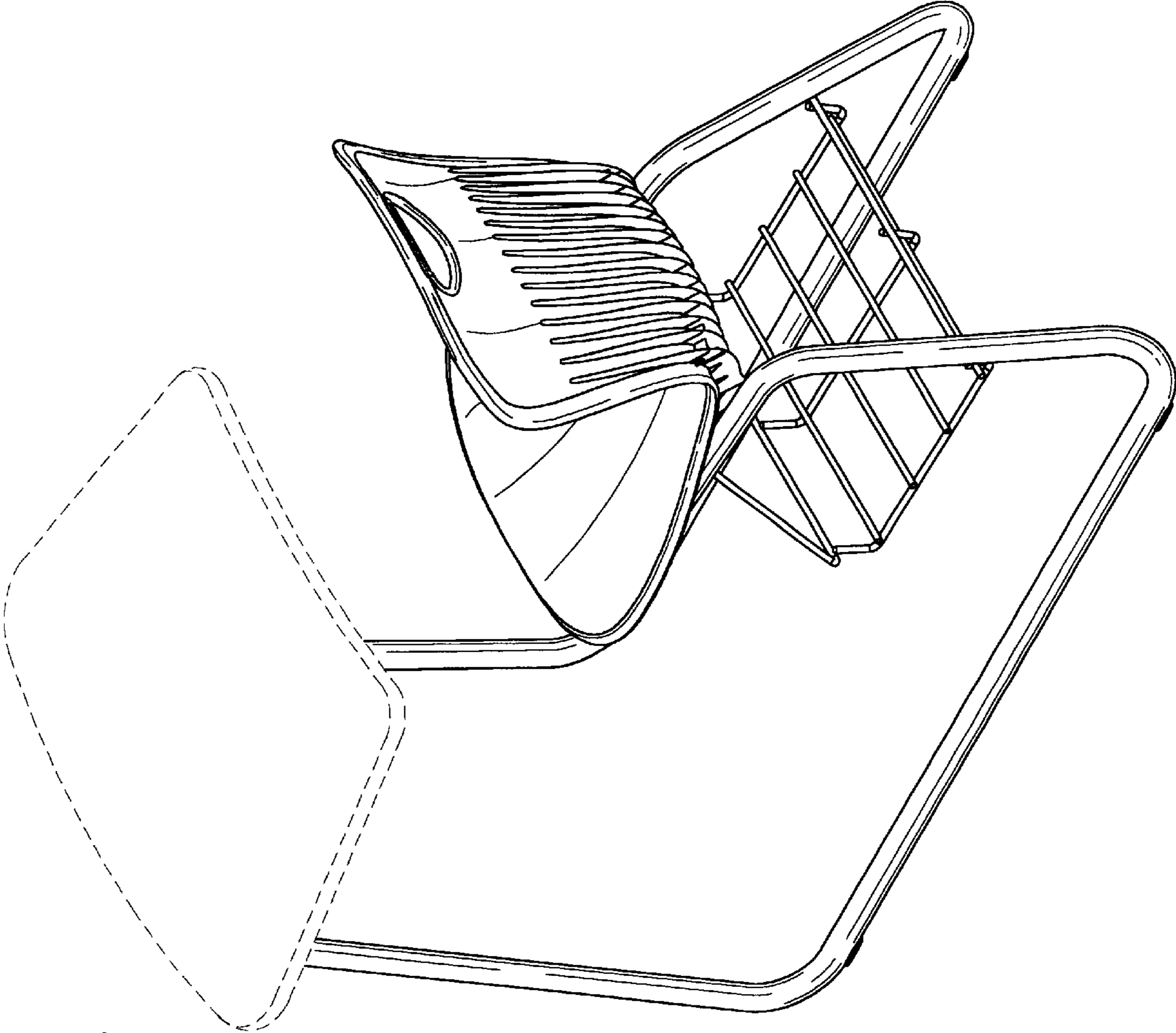


FIG. 1

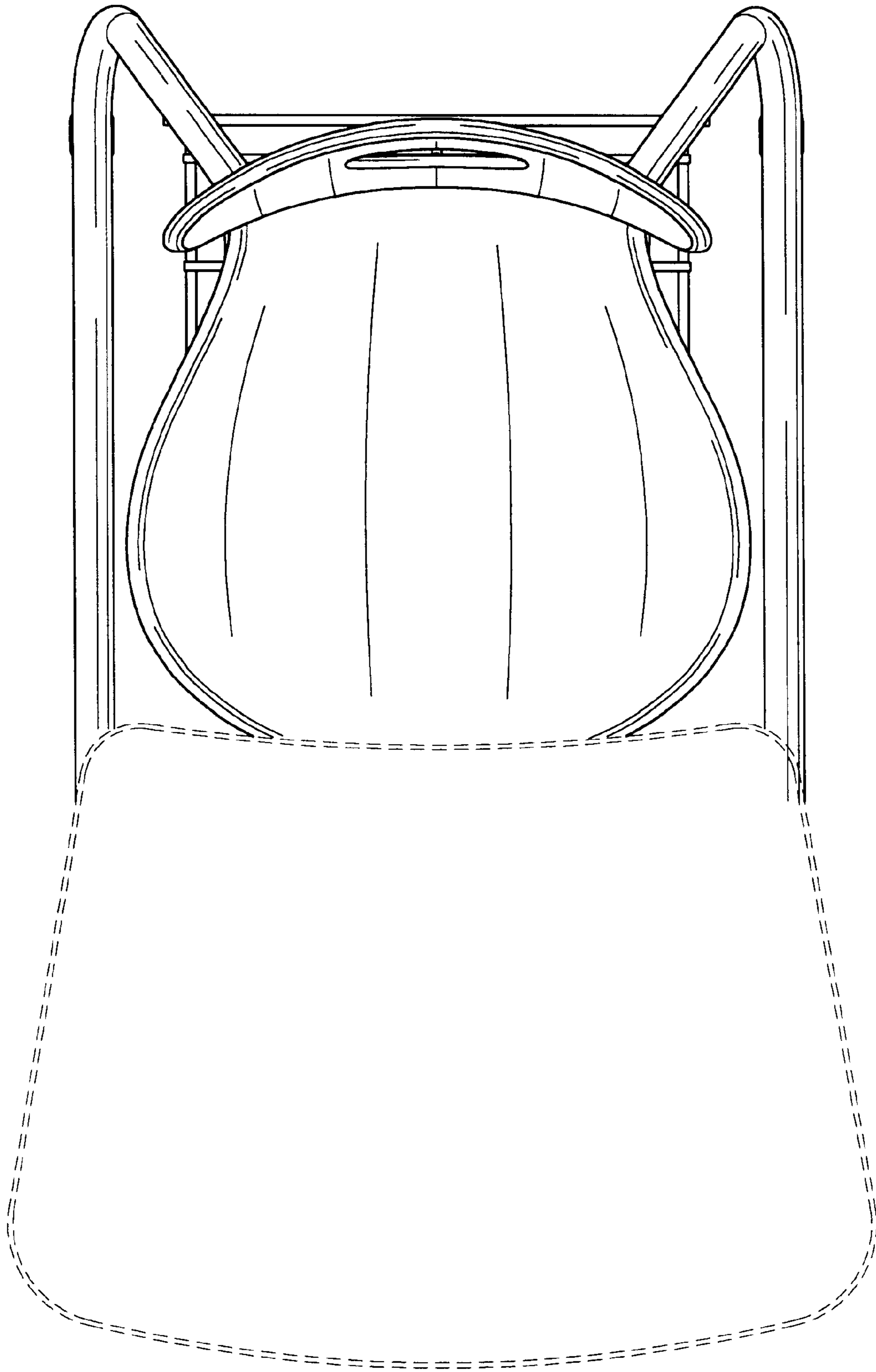
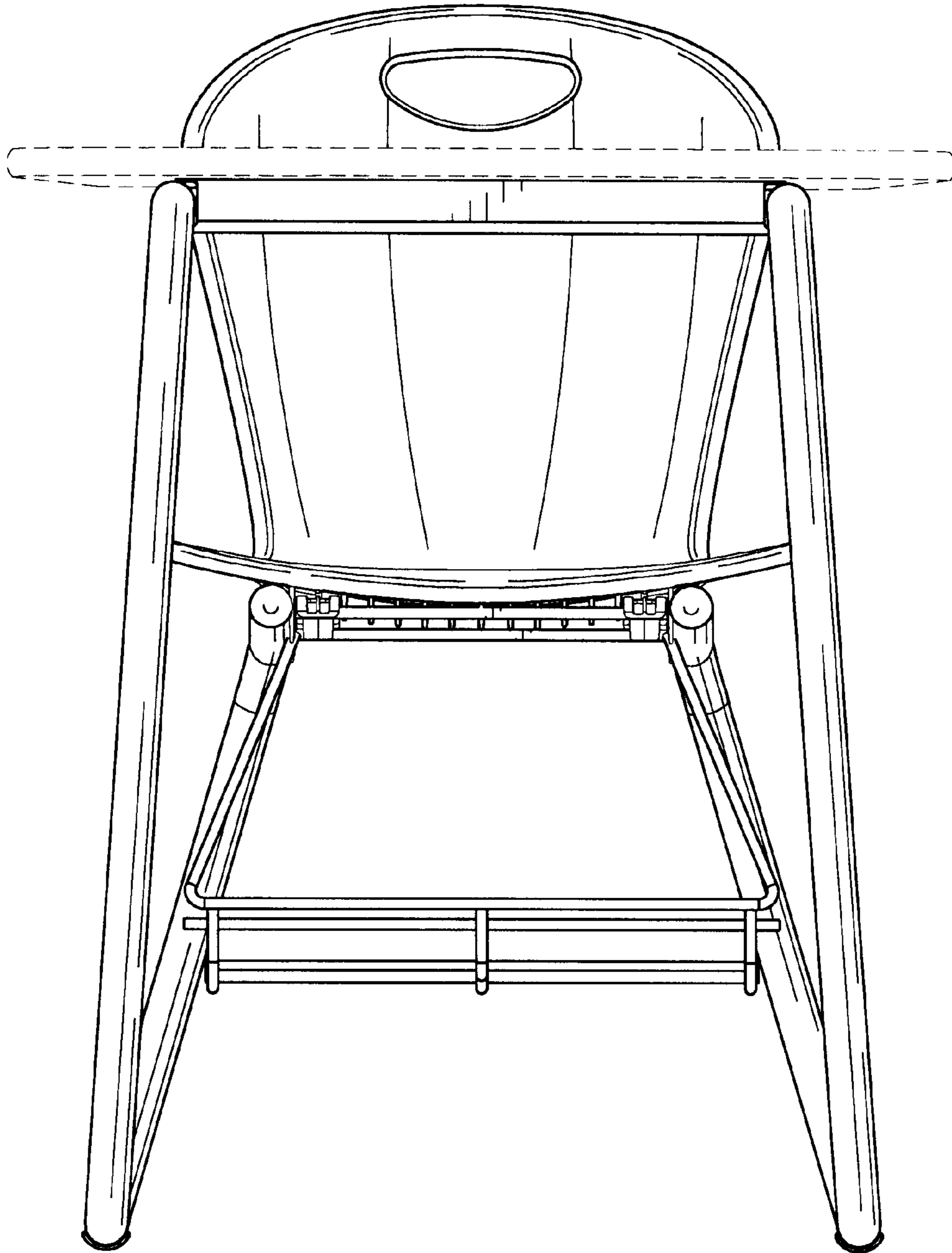


Fig. 2

FIG. 3



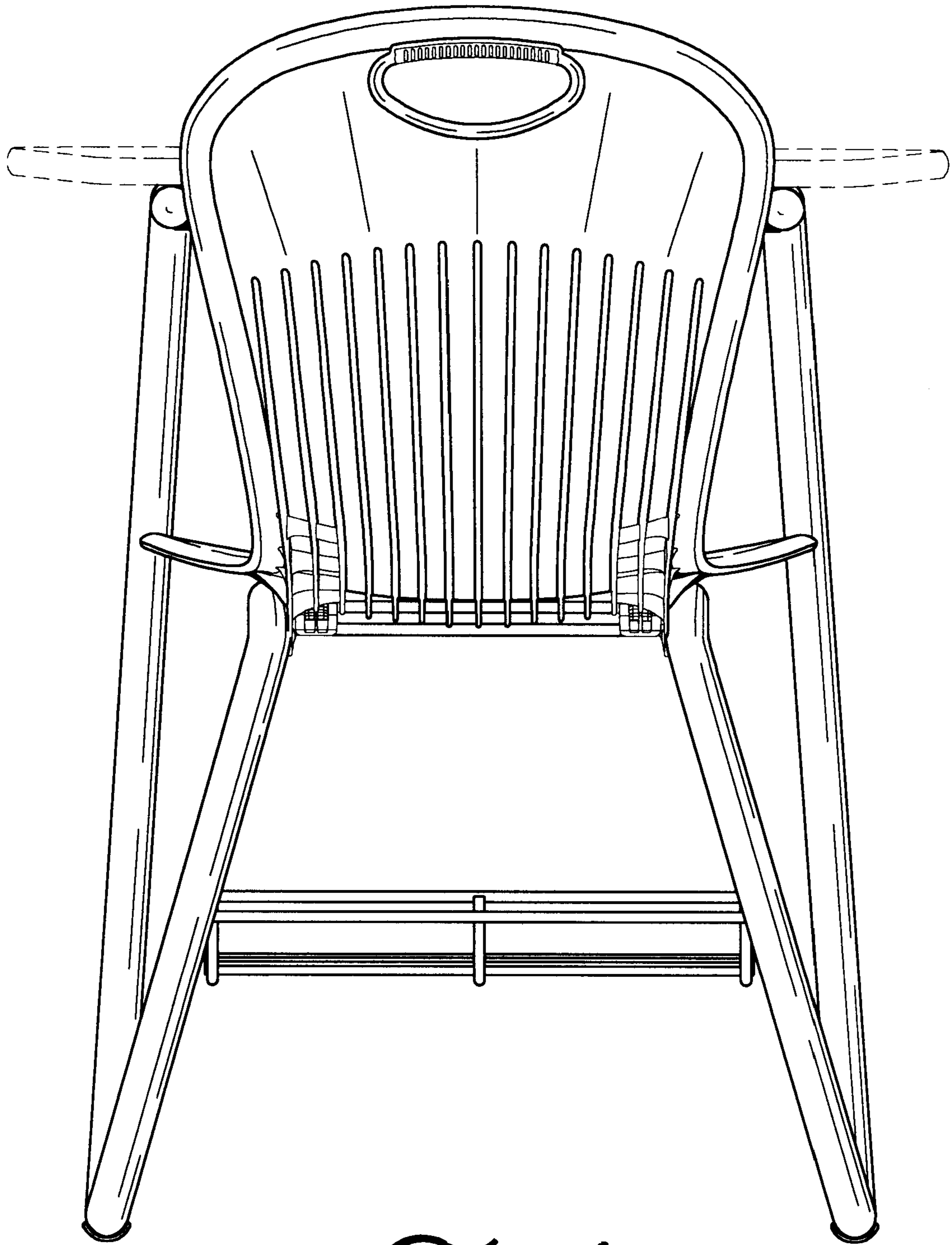


FIG. 4

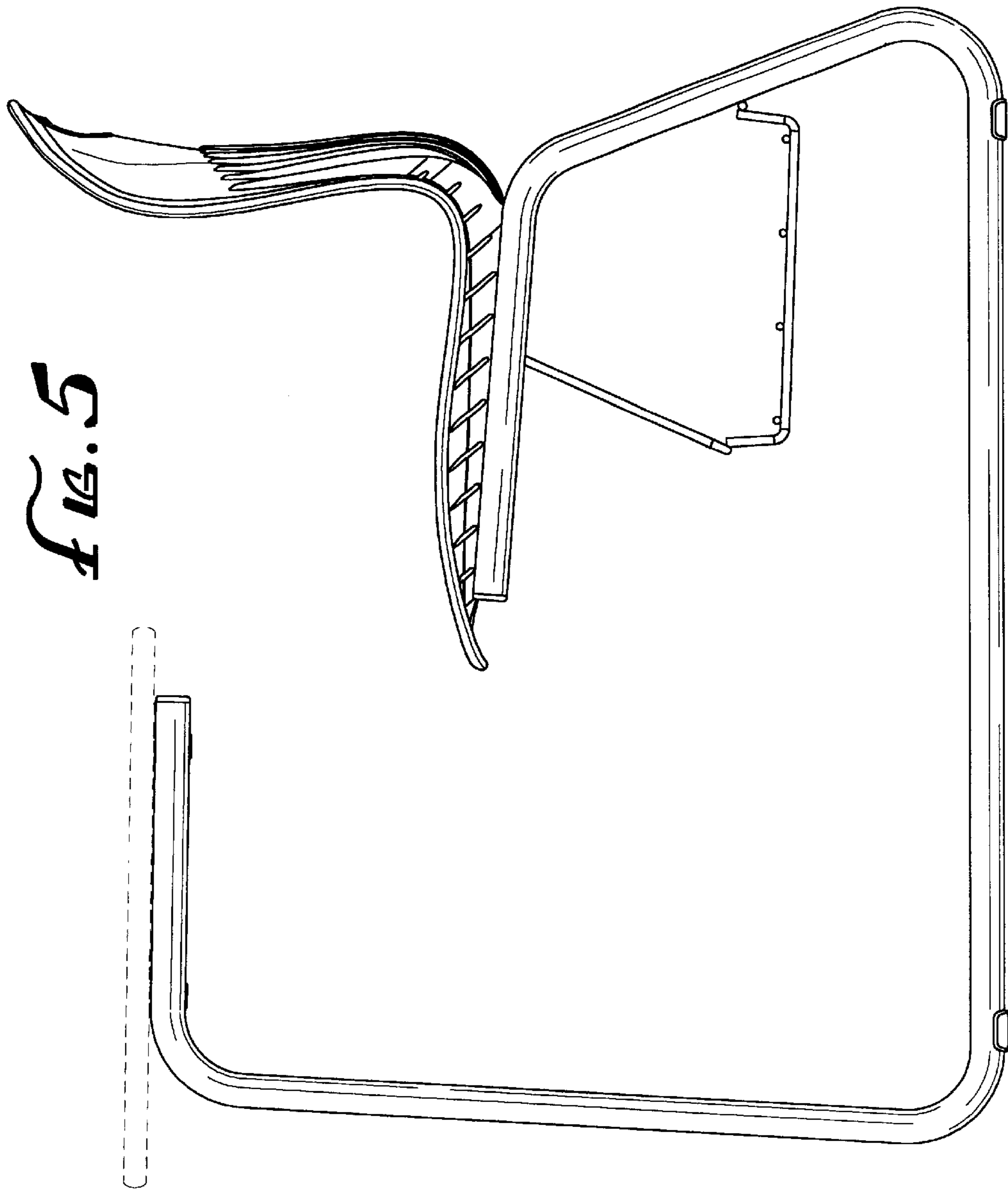
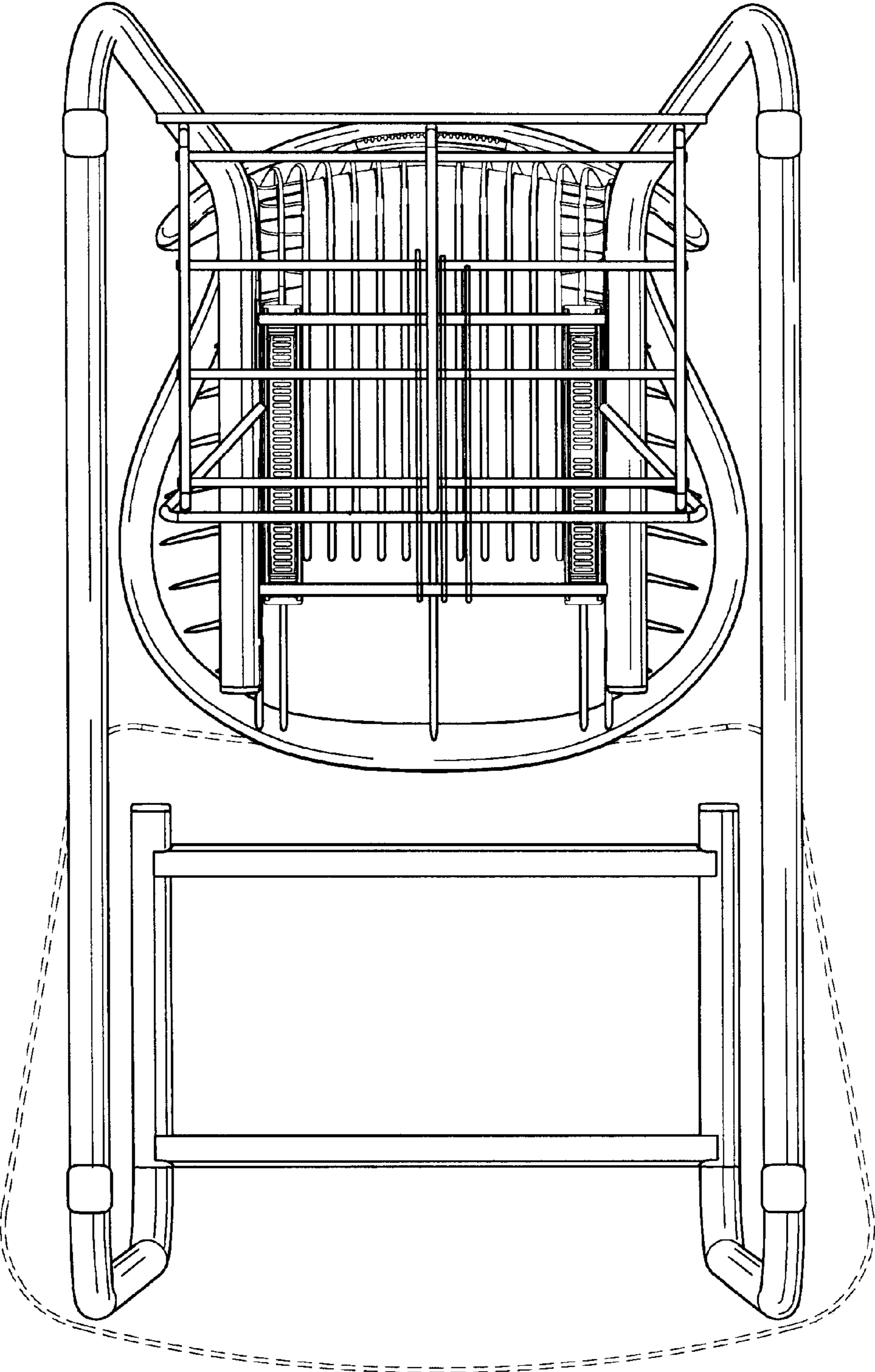


FIG. 6



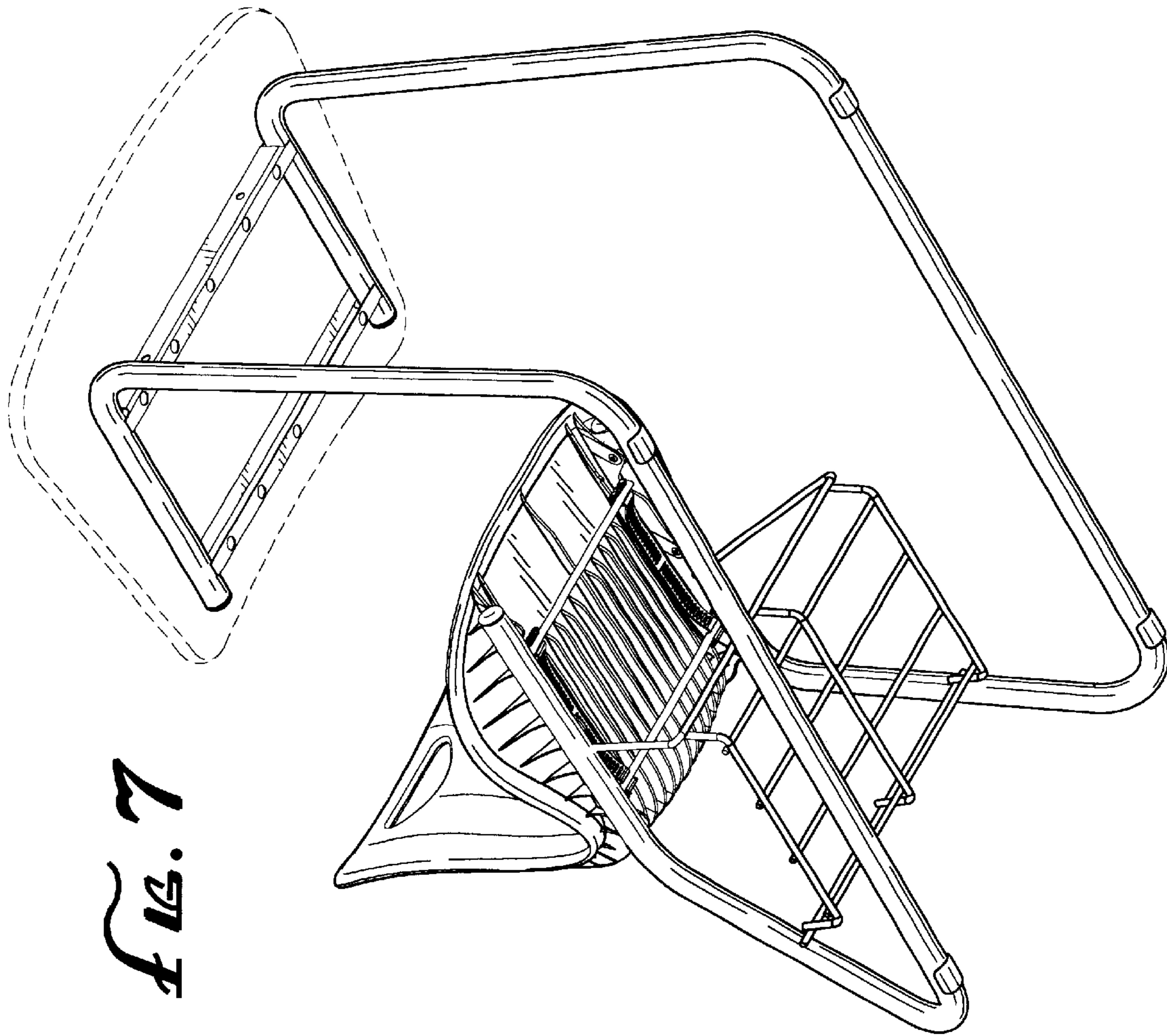


FIG. 7