



US00D521749S

(12) **United States Design Patent**
Auberger

(10) **Patent No.:** **US D521,749 S**

(45) **Date of Patent:** **** May 30, 2006**

(54) **ARMCHAIR**

(75) **Inventor:** **Benoit Auberger**, Leron en Parede (FR)

(73) **Assignee:** **Wesco Company, S.A.**, Cerizay (FR)

(**) **Term:** **14 Years**

(21) **Appl. No.:** **29/234,058**

(22) **Filed:** **Jul. 13, 2005**

(30) **Foreign Application Priority Data**

Jan. 13, 2005 (EP) 000278791-0015

(51) **LOC (8) Cl.** **06-01**

(52) **U.S. Cl.** **D6/334**

(58) **Field of Classification Search** D6/334-339,
D6/349, 352, 364-366, 353, 369, 370, 495,
D6/500-502; 5/12.1; 297/445.1, 232, 446.1,
297/447.3, 448.1, 452.1

See application file for complete search history.

(56) **References Cited**

U.S. PATENT DOCUMENTS

2,150,434	A	*	3/1939	Finlay	297/452.41
3,756,657	A	*	9/1973	Johnson	297/440.1
D252,486	S	*	7/1979	Petersilie	D6/381
D252,487	S	*	7/1979	Petersilie	D6/381
4,179,158	A	*	12/1979	Flaum et al.	297/440.17
D262,756	S	*	1/1982	Tiffany, III	D6/381
D266,715	S	*	11/1982	Tiffany, III	D6/381
D279,052	S	*	6/1985	McDonald	D6/334
D325,475	S	*	4/1992	Genova et al.	D6/334

D355,999	S	*	3/1995	Townsend	D6/502
D374,355	S	*	10/1996	Natuzzi et al.	D6/381
D378,028	S	*	2/1997	Schefcik	D6/334
D391,408	S	*	3/1998	Lee	D6/334
D392,775	S	*	3/1998	McMahon	D30/118
D396,332	S	*	7/1998	McMahon	D30/118
D423,729	S	*	4/2000	Morgan	D30/118
D427,731	S	*	7/2000	Copple	D30/118
D446,030	S	*	8/2001	Linder	D6/334
D446,949	S	*	8/2001	Linder	D6/335
D457,924	S	*	5/2002	Schofield et al.	D21/521
D464,815	S	*	10/2002	Mendonca	D6/334
D487,992	S	*	4/2004	Natuzzi	D6/381

* cited by examiner

Primary Examiner—Sandra S. Snapp

(74) *Attorney, Agent, or Firm*—Horst M. Kasper

(57) **CLAIM**

The ornamental design for an armchair, as shown and described.

DESCRIPTION

FIG. 1 is a front elevational view of an armchair showing my new design;

FIG. 2 is a top plan view thereof;

FIG. 3 is a rear elevational view thereof;

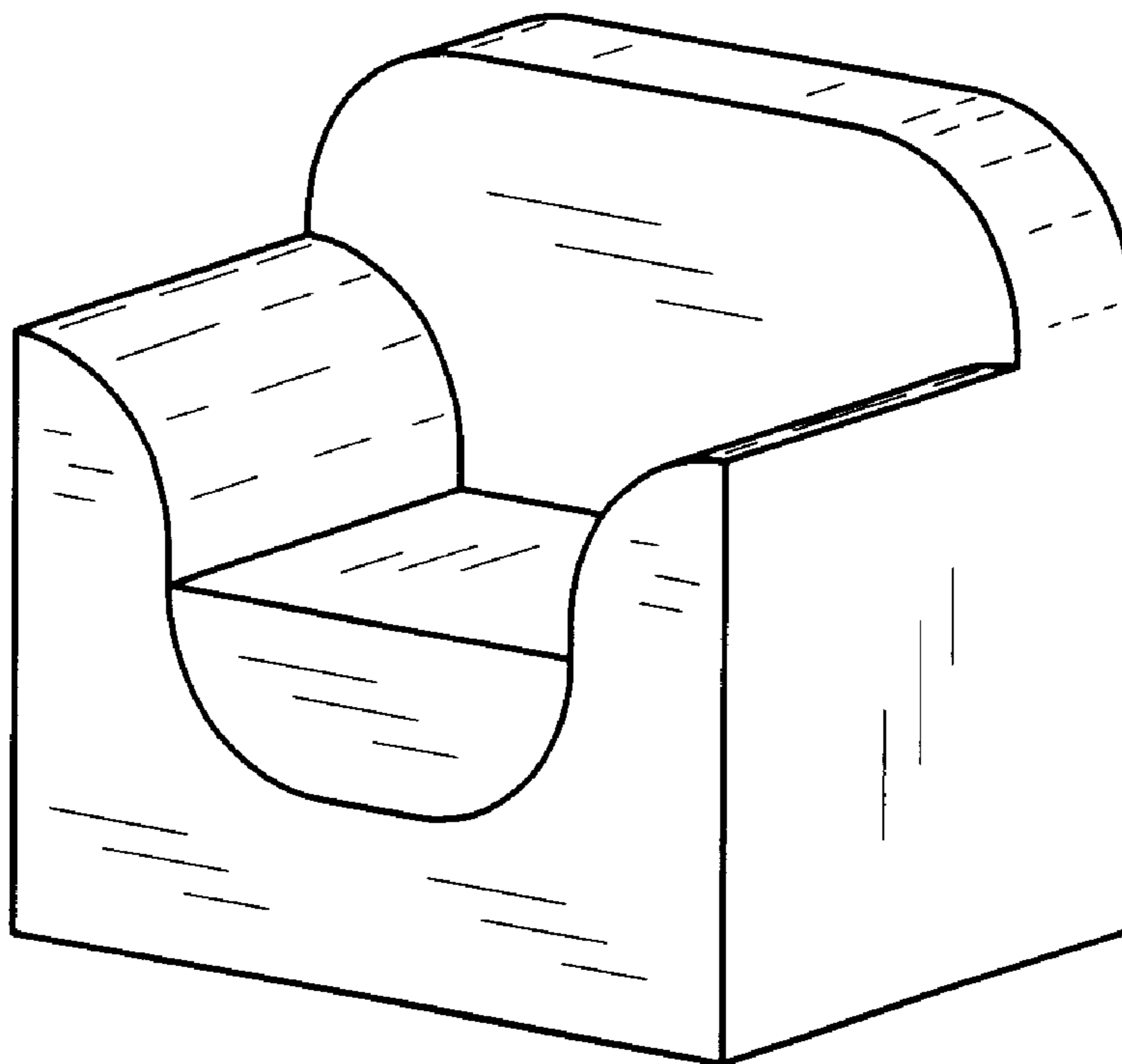
FIG. 4 is a right side elevational view thereof;

FIG. 5 is a left side elevational view thereof; and,

FIG. 6 is a perspective view thereof.

The claimed armchair is used mainly by small children as furniture.

1 Claim, 2 Drawing Sheets



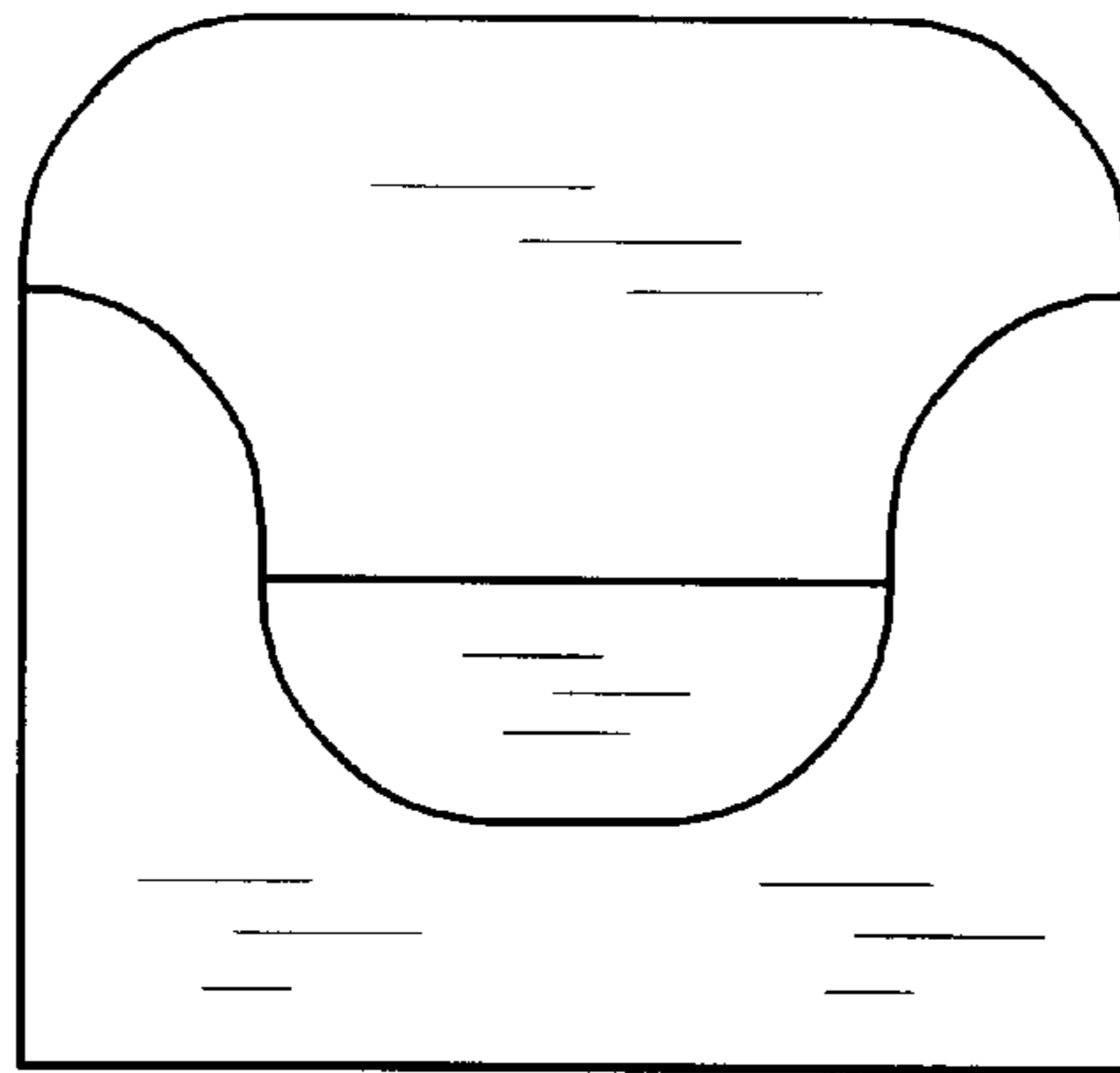


Fig.1

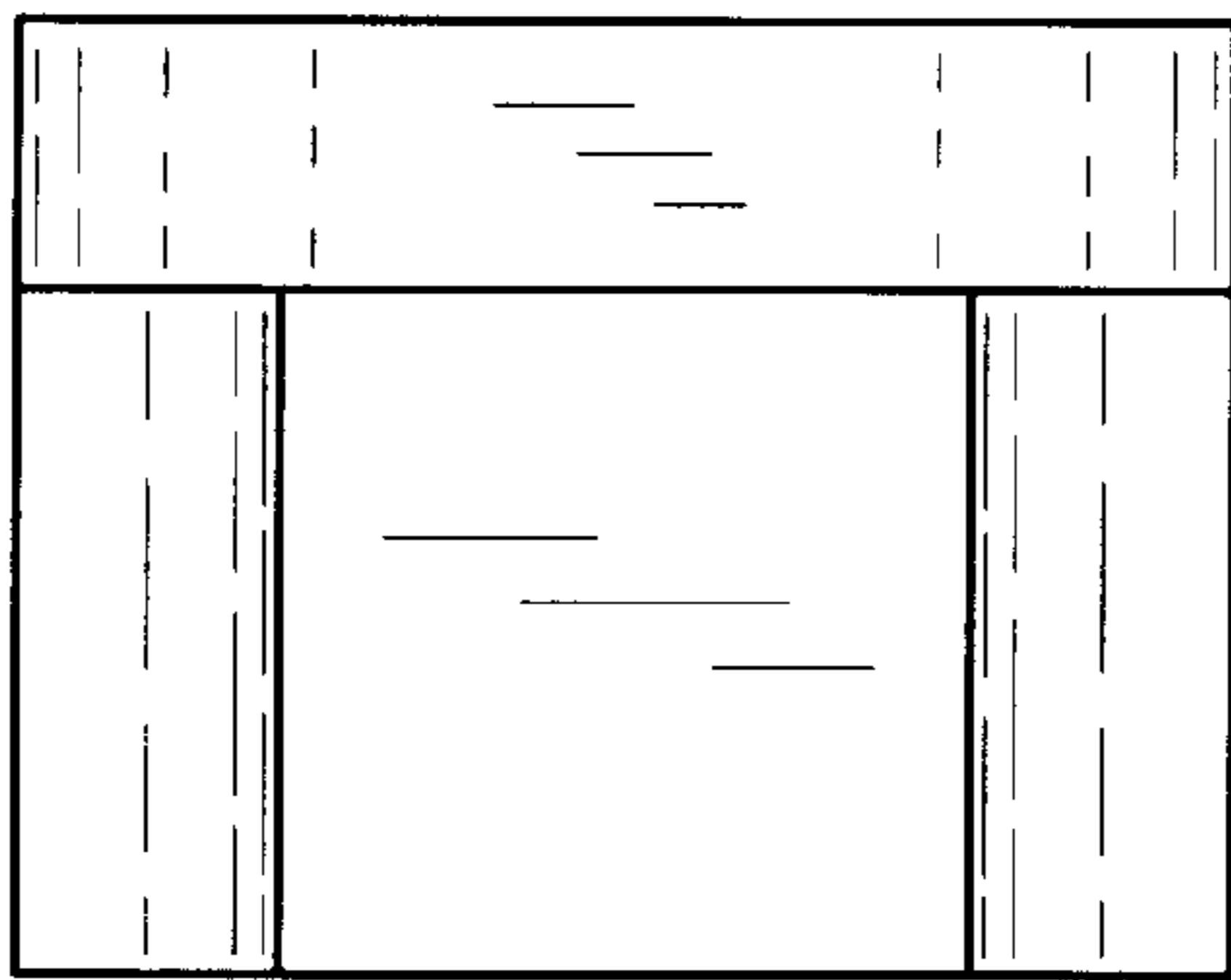


Fig.2

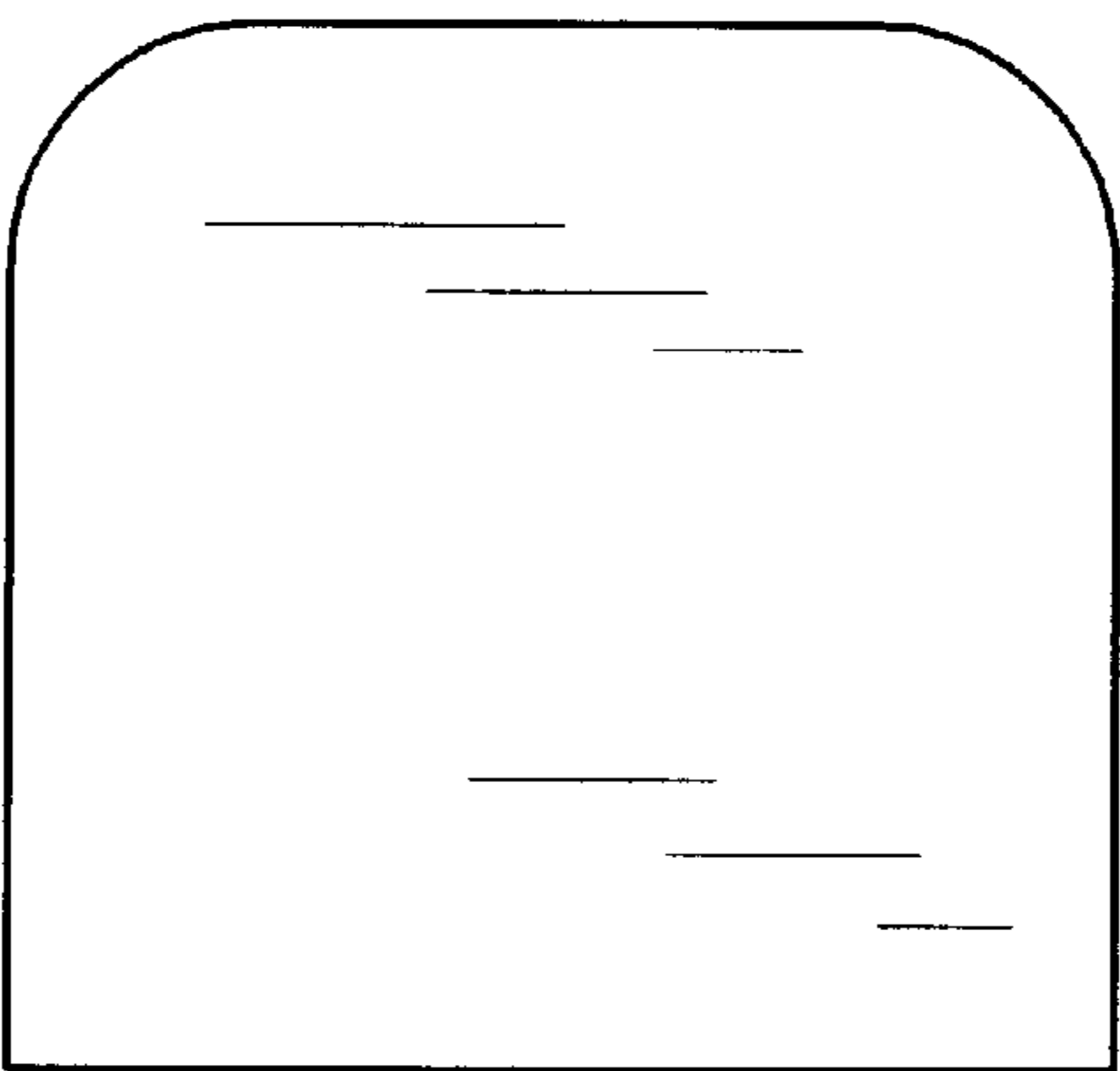


Fig.3

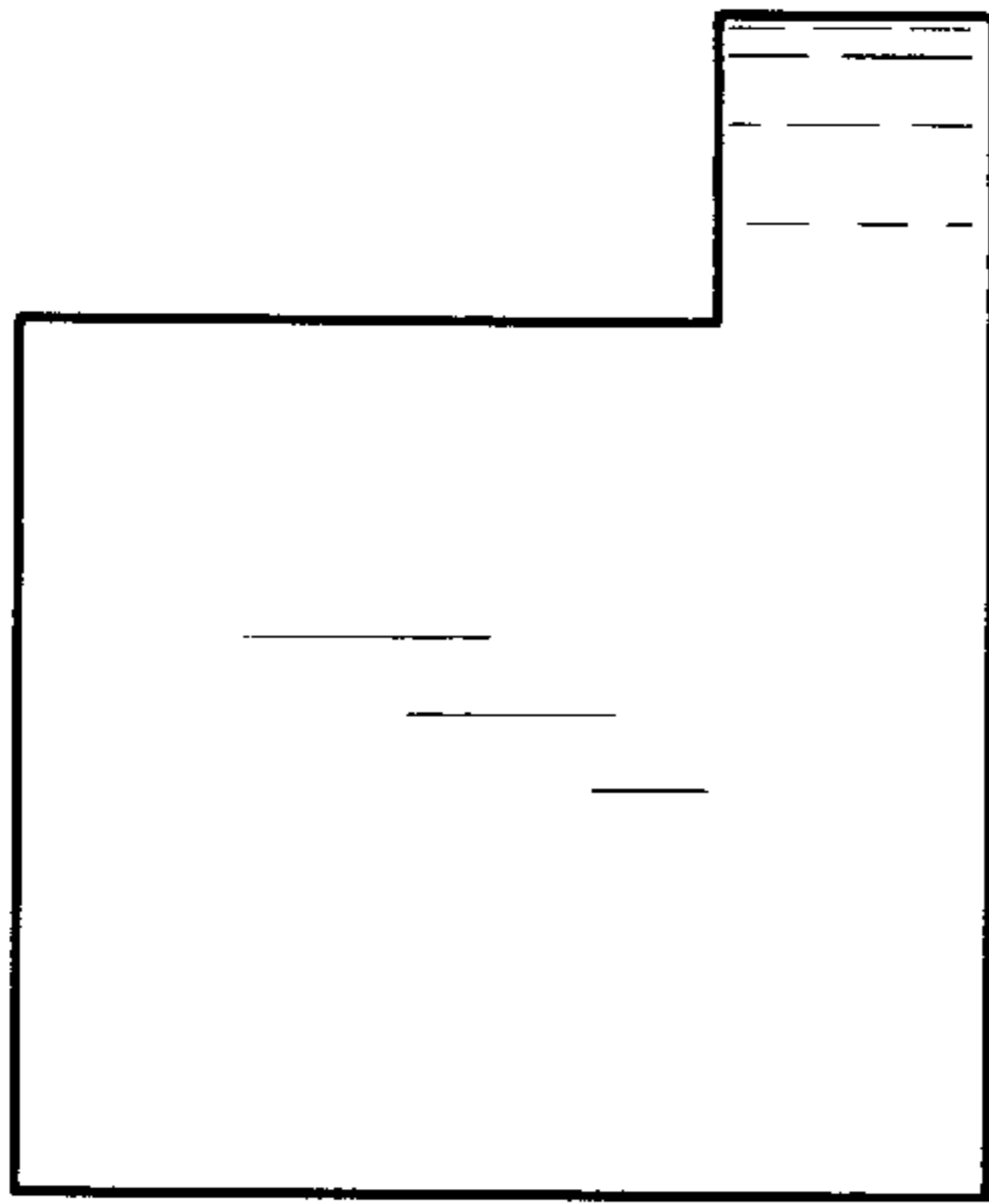


Fig.4

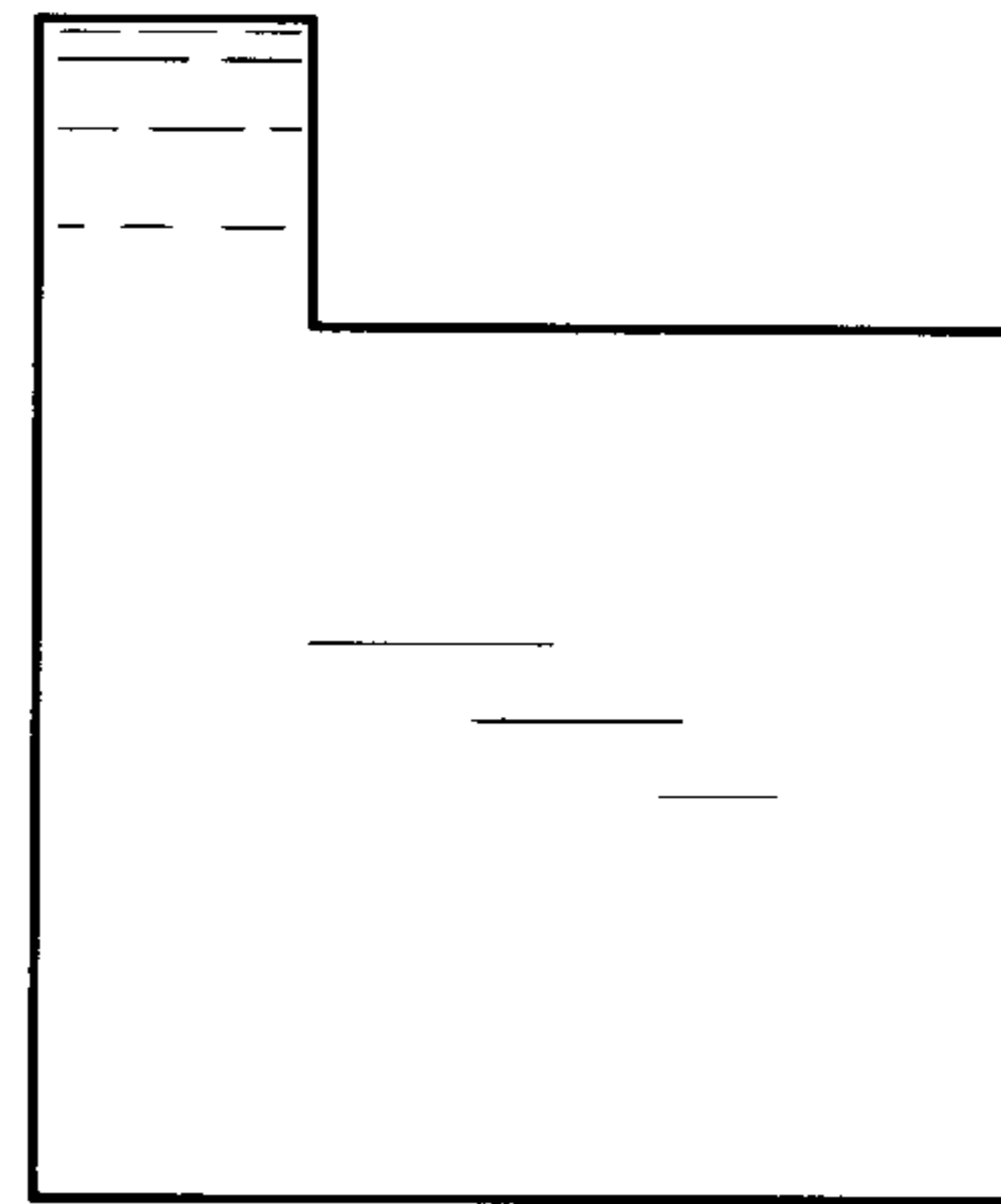


Fig.5

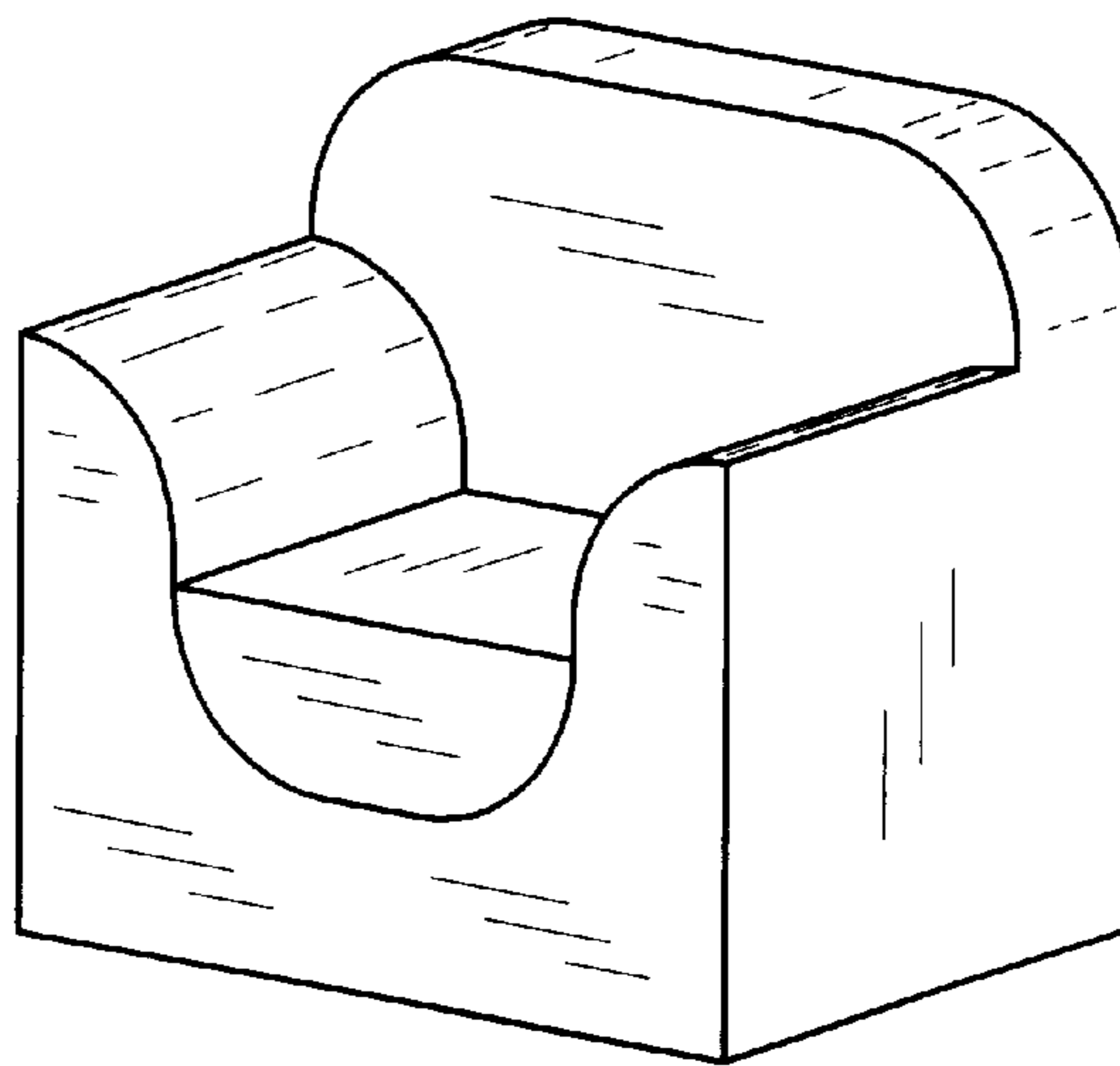


Fig.6