



US00D521748S

(12) **United States Design Patent**  
**Mohundro**

(10) **Patent No.:** **US D521,748 S**

(45) **Date of Patent:** **\*\* May 30, 2006**

(54) **MIRROR**

D379,276 S \* 5/1997 Shih ..... D6/444

(76) **Inventor:** **James Glenn Mohundro**, 3F-4 No.  
161, Kung-I Road, Taichung City 403  
(TW)

(\*\*) **Term:** **14 Years**

(21) **Appl. No.:** **29/229,569**

(22) **Filed:** **May 10, 2005**

(51) **LOC (8) Cl.** ..... **06-07**

(52) **U.S. Cl.** ..... **D6/300; D6/444; D6/309**

(58) **Field of Classification Search** ..... D6/300-309,  
D6/444, 432, 568; 40/700-702, 714, 717,  
40/721, 727, 738, 739, 742, 745, 746, 747,  
40/768, 777, 778, 779, 782-784, 790-791;  
312/204, 224; D11/131

See application file for complete search history.

(56) **References Cited**

**U.S. PATENT DOCUMENTS**

- D10,121 S \* 7/1877 Pattberg ..... D6/309
- D63,663 S \* 12/1923 Schmitt ..... D6/399
- 1,747,480 A \* 2/1930 Newell ..... 312/224
- D308,921 S \* 7/1990 Keller ..... D6/397

**OTHER PUBLICATIONS**

Herber F. Schiffer, *The Mirror Book*, 1983, Schiffer Publishing, p. 233, #620,619.\*

\* cited by examiner

*Primary Examiner*—Janice E. Seeger

*Assistant Examiner*—Sydney R. Buffalow

(74) *Attorney, Agent, or Firm*—Bacon & Thomas, PLLC

(57) **CLAIM**

The ornamental design for a mirror, as shown and described.

**DESCRIPTION**

FIG. 1 is a perspective view of a mirror, showing my new design;

FIG. 2 is a front elevational view thereof;

FIG. 3 is a rear elevational view thereof;

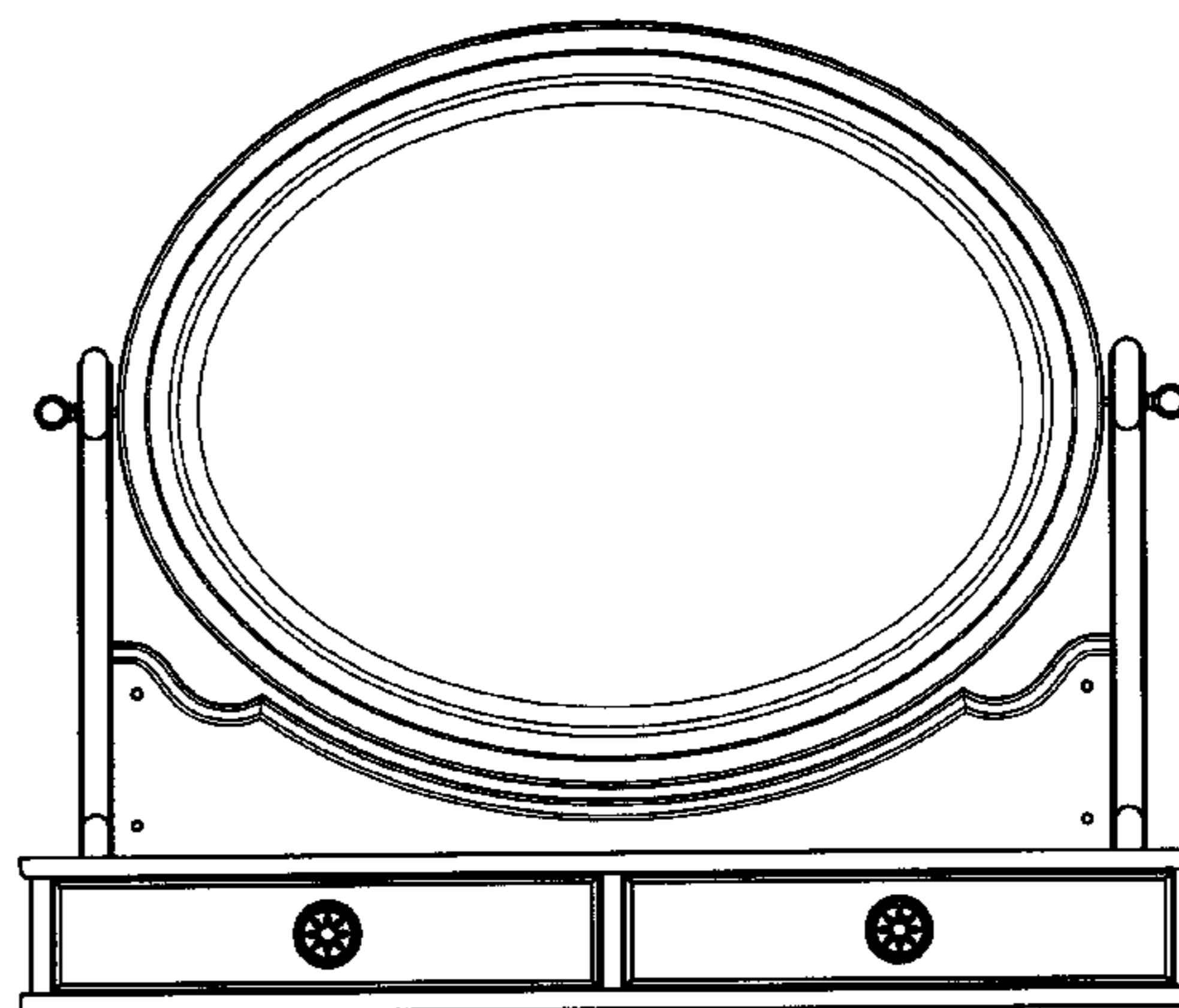
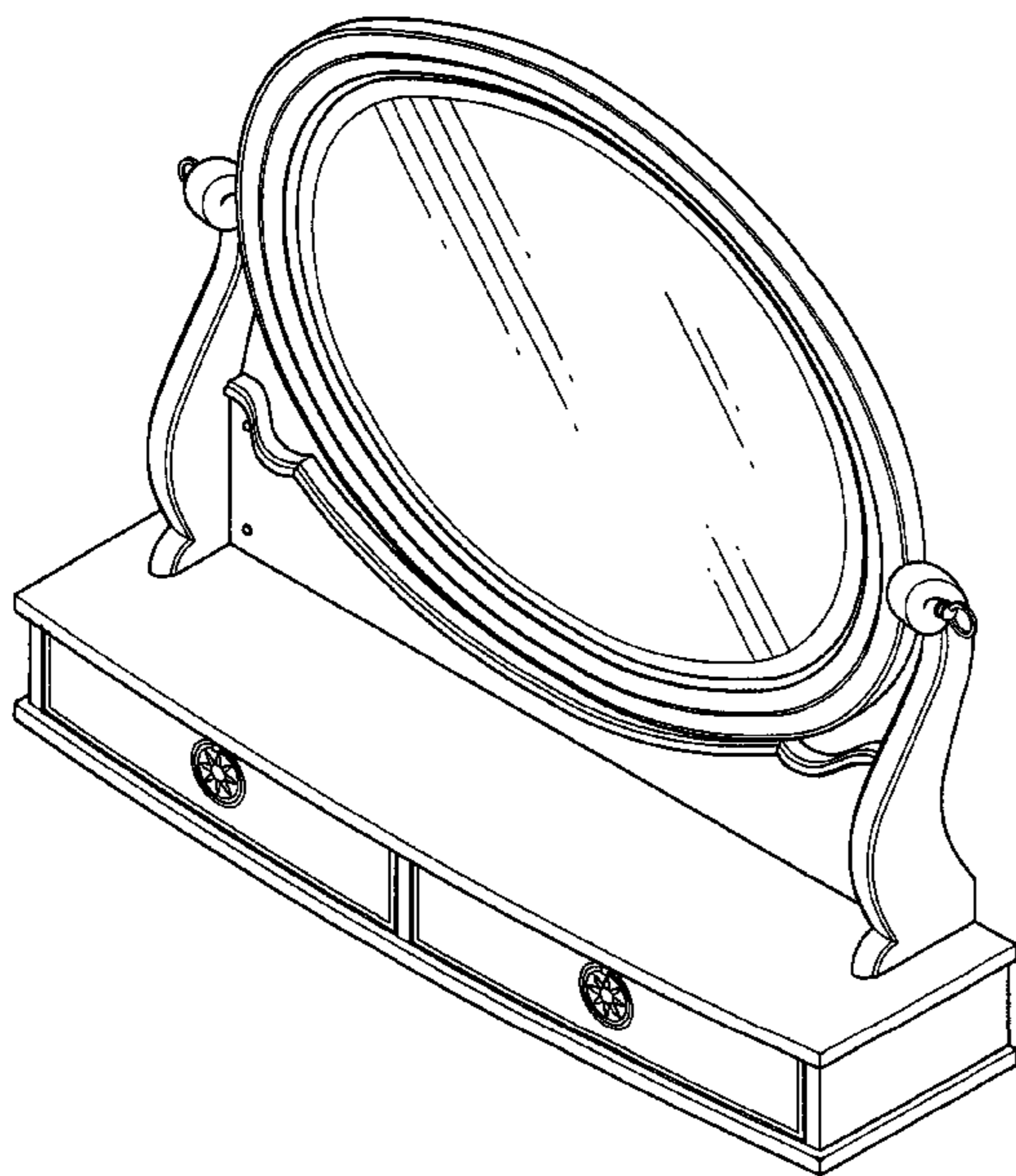
FIG. 4 is a left elevational view thereof;

FIG. 5 is a right elevational view thereof;

FIG. 6 is a top plan view thereof; and,

FIG. 7 is a bottom plan view thereof.

**1 Claim, 5 Drawing Sheets**



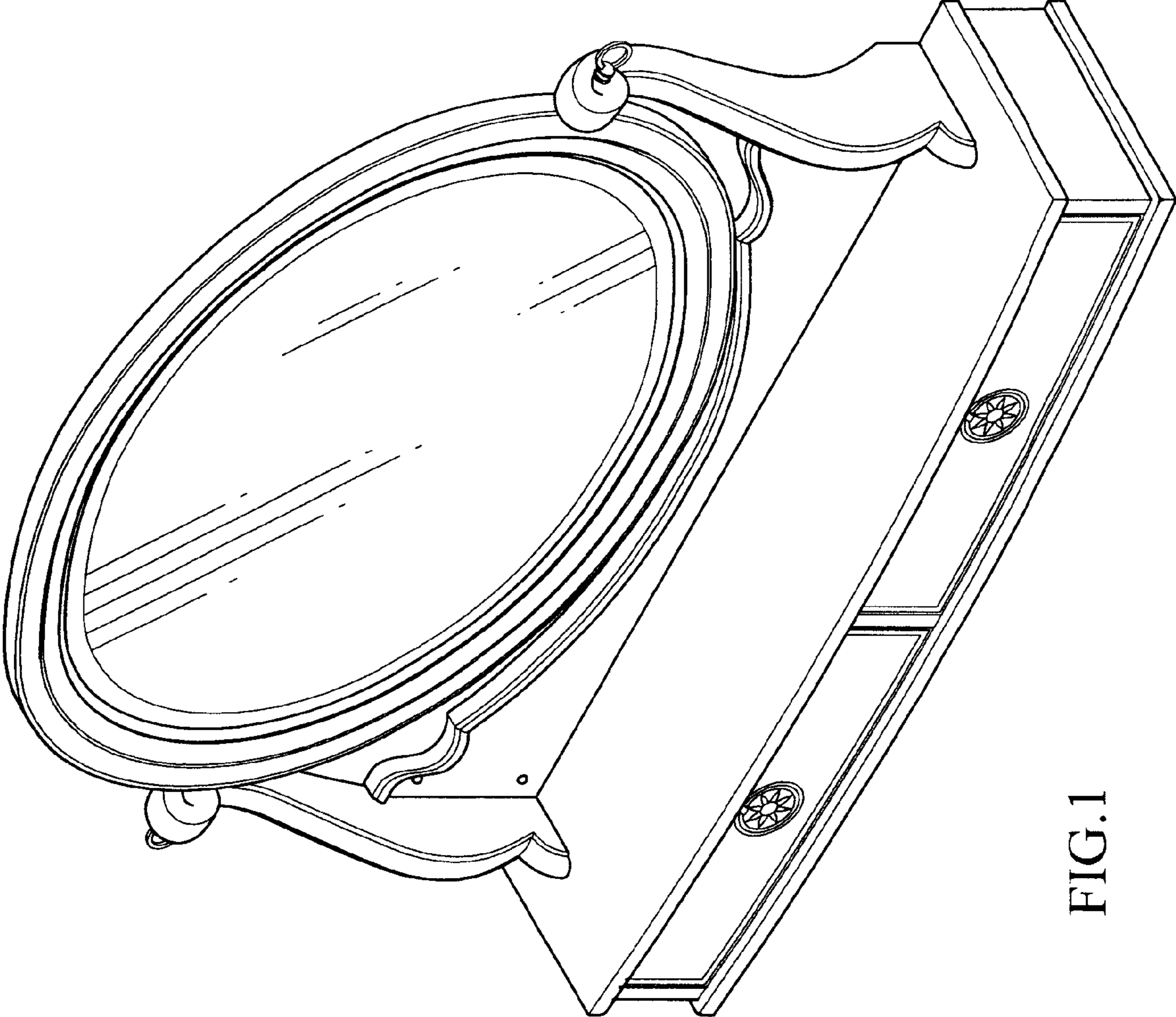


FIG. 1

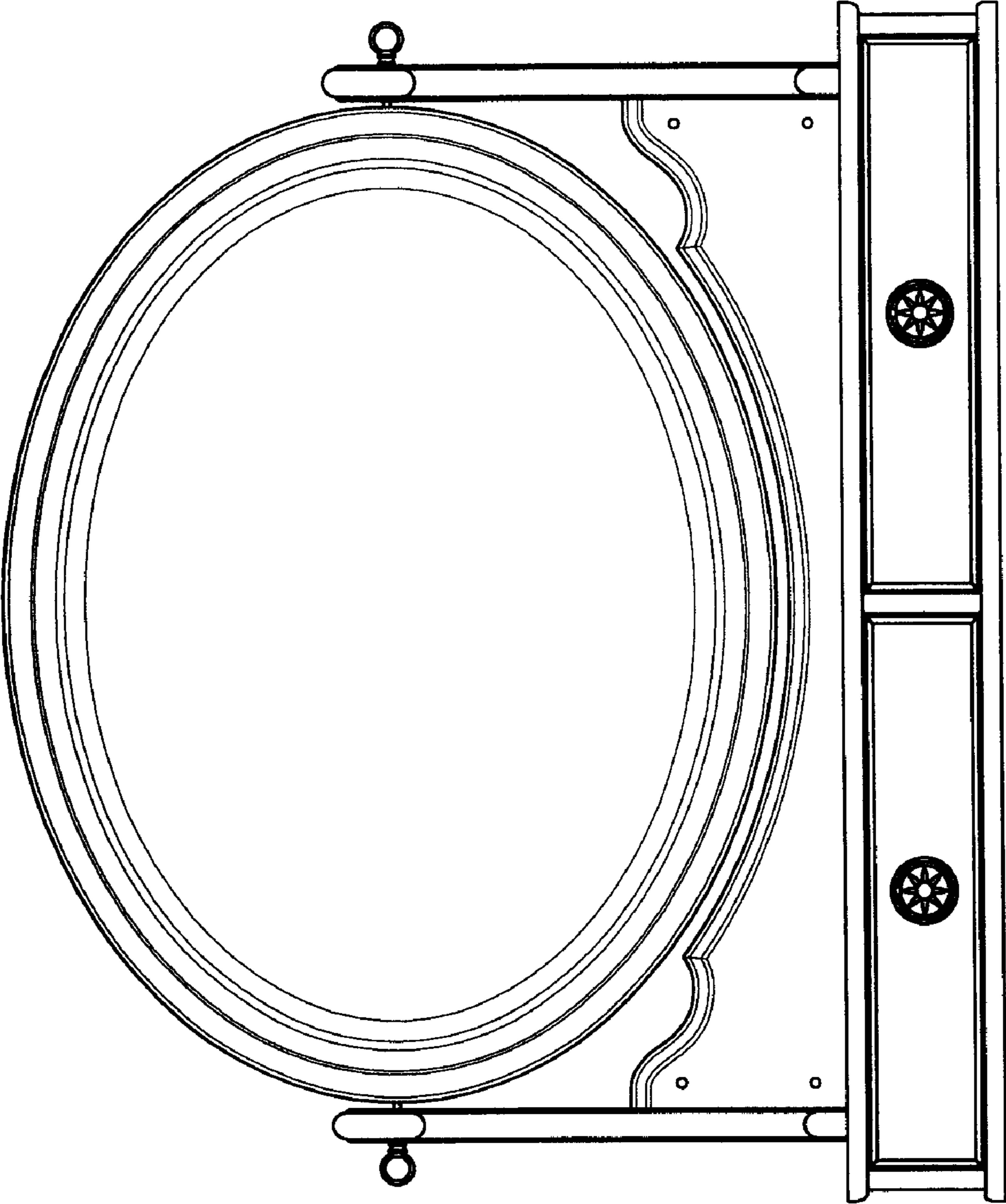


FIG.2

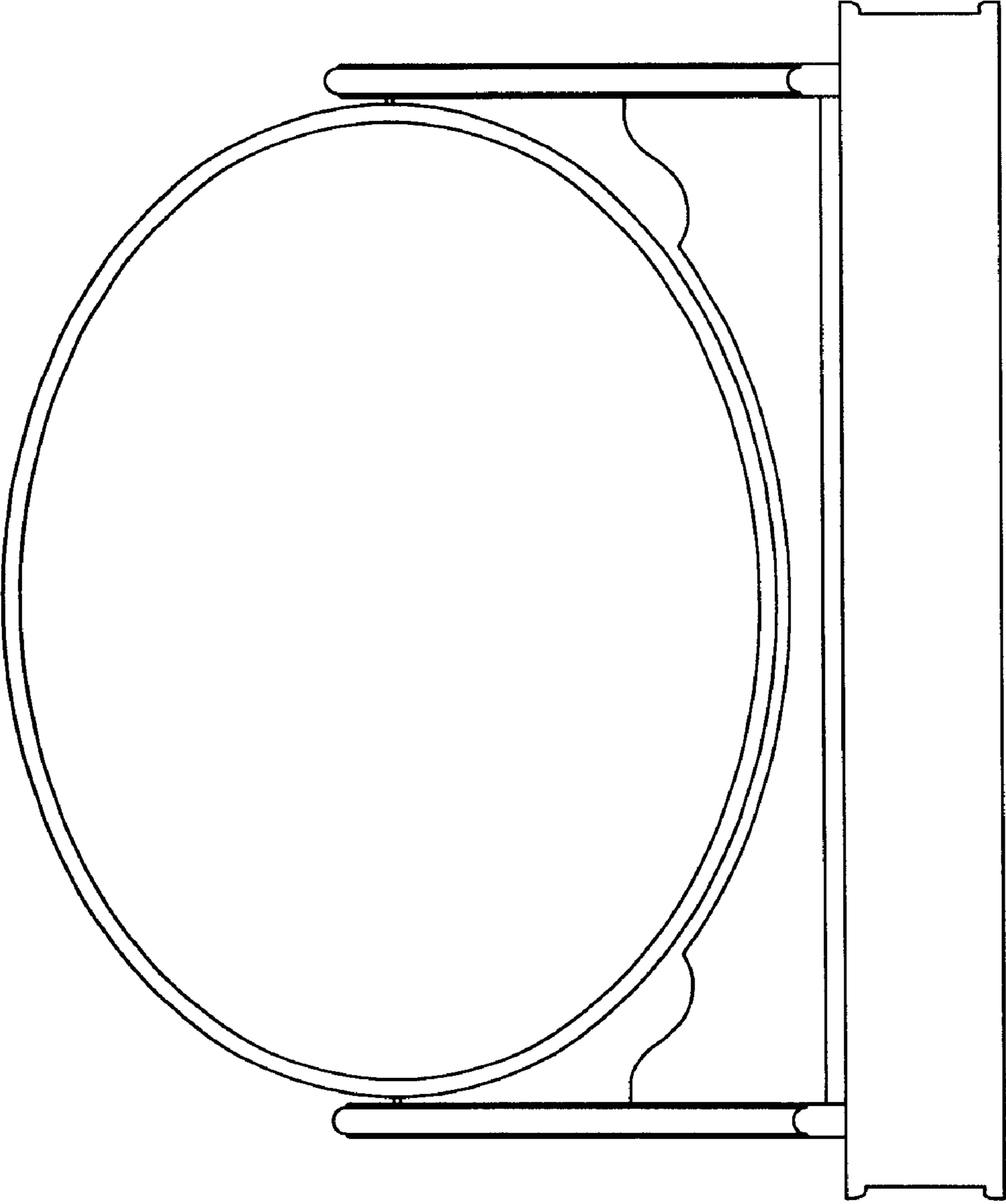


FIG.3

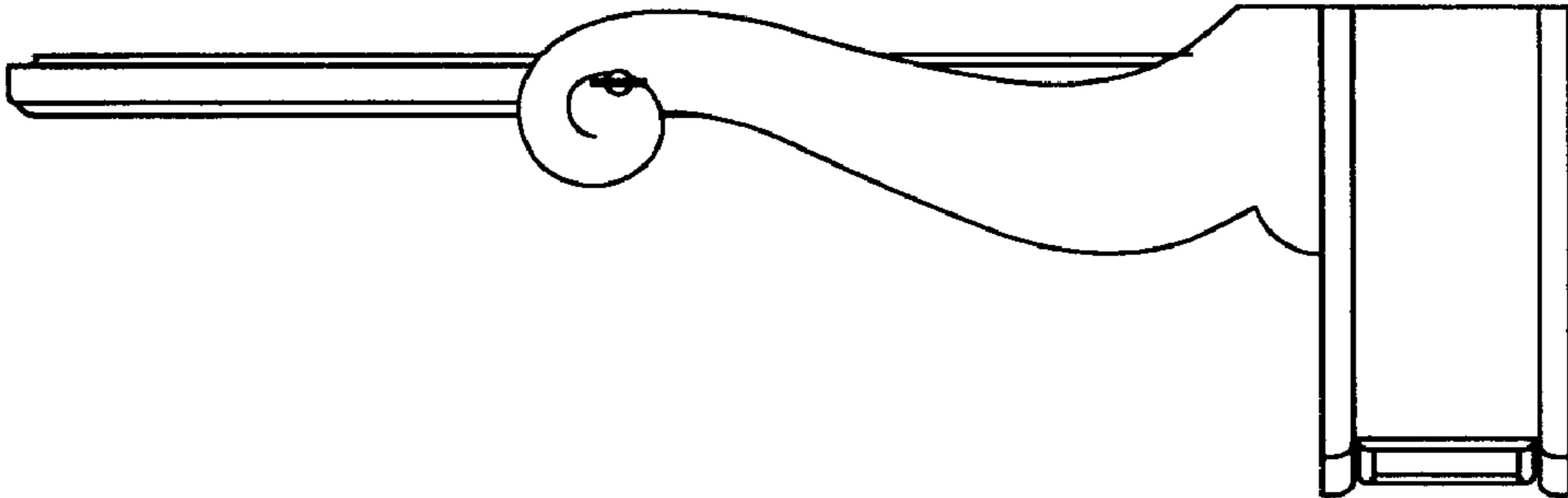


FIG.5

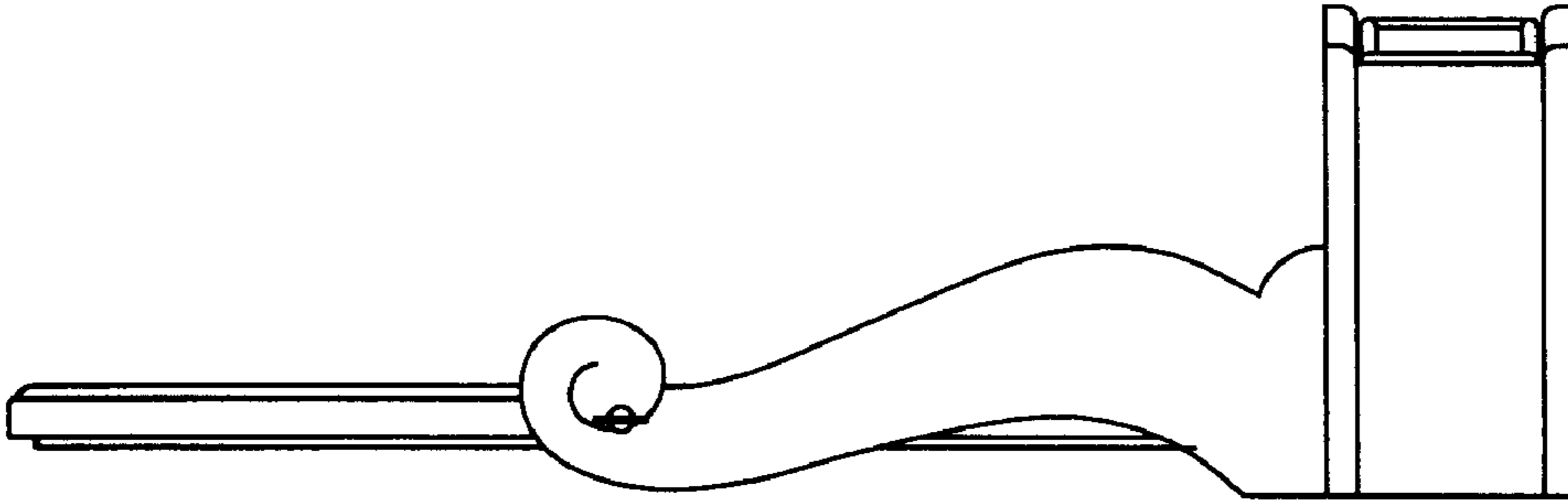


FIG.4

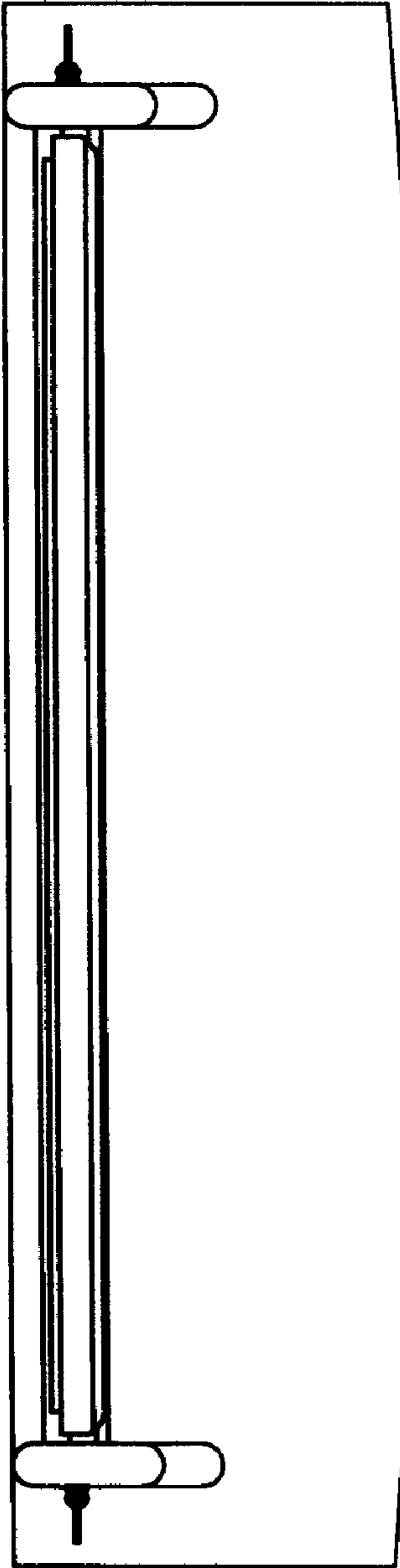


FIG. 6



FIG. 7