



US00D521746S

(12) **United States Design Patent**
Frazier

(10) **Patent No.:** **US D521,746 S**

(45) **Date of Patent:** **** May 30, 2006**

(54) **PICTURE STAND**

(76) **Inventor:** **Carla D. Frazier**, 4405 Ridgewood Ave., Columbia, SC (US) 29203

(**) **Term:** **14 Years**

(21) **Appl. No.:** **29/214,710**

(22) **Filed:** **Oct. 7, 2004**

(51) **LOC (8) Cl.** **06-07**

(52) **U.S. Cl.** **D6/300**

(58) **Field of Classification Search** D6/300-314;
40/700, 717, 735, 738, 739, 790, 786, 798;
D8/350-353; D28/64.1, 64.3
See application file for complete search history.

(56) **References Cited**

U.S. PATENT DOCUMENTS

4,970,742 A	*	11/1990	Keener	5/633
D356,352 S	*	3/1995	Johnson	D21/800
D381,212 S	*	7/1997	Pagano	D6/300
D435,360 S	*	12/2000	Gentile et al.	D6/419
6,367,760 B1	*	4/2002	Pagano	248/451
D485,018 S	*	1/2004	Beilman	D28/77

* cited by examiner

Primary Examiner—Janice E. Seeger
Assistant Examiner—Sydney R. Buffalow

(74) *Attorney, Agent, or Firm*—Nelson Mullins Riley & Scarborough LLP

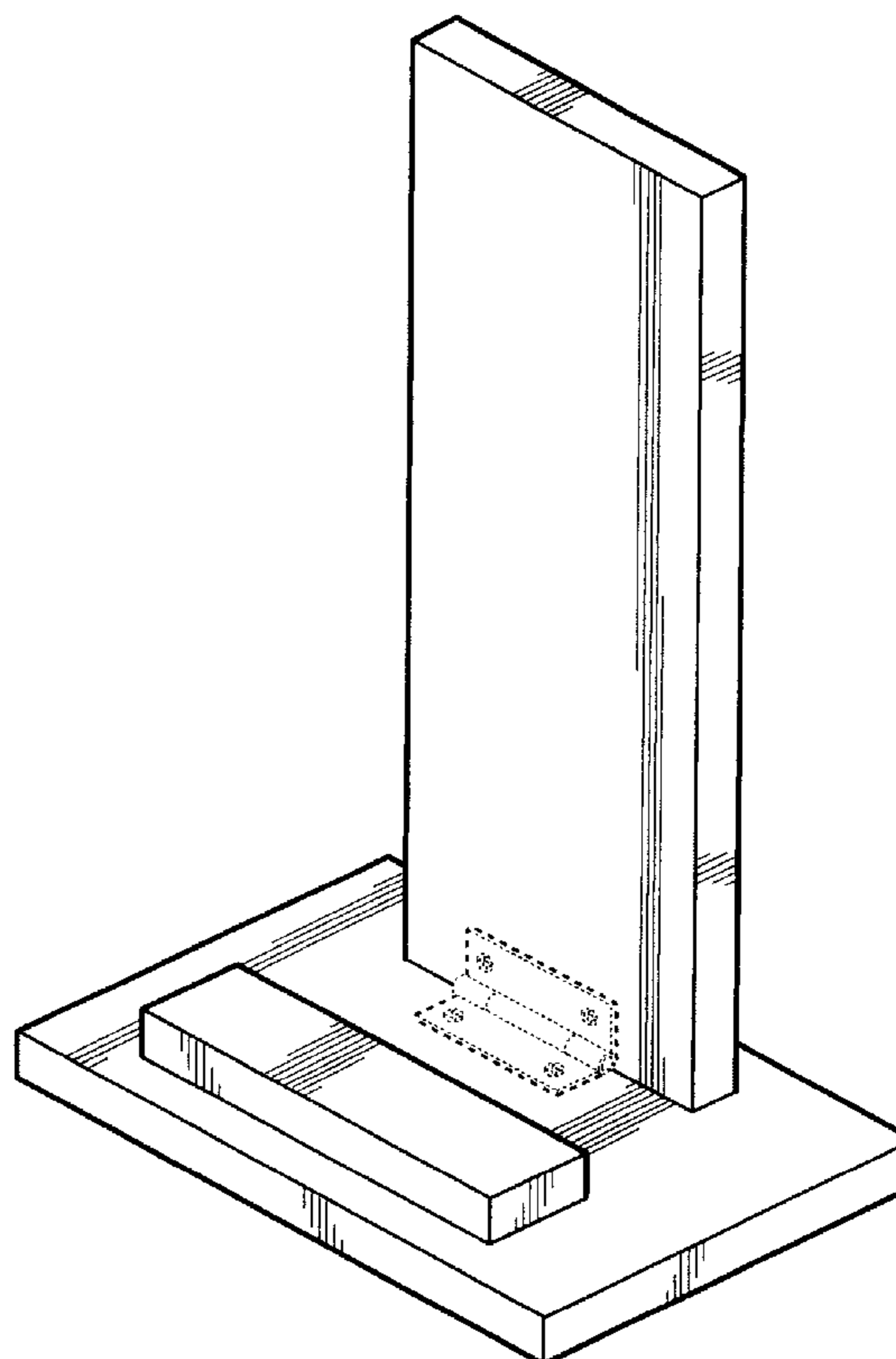
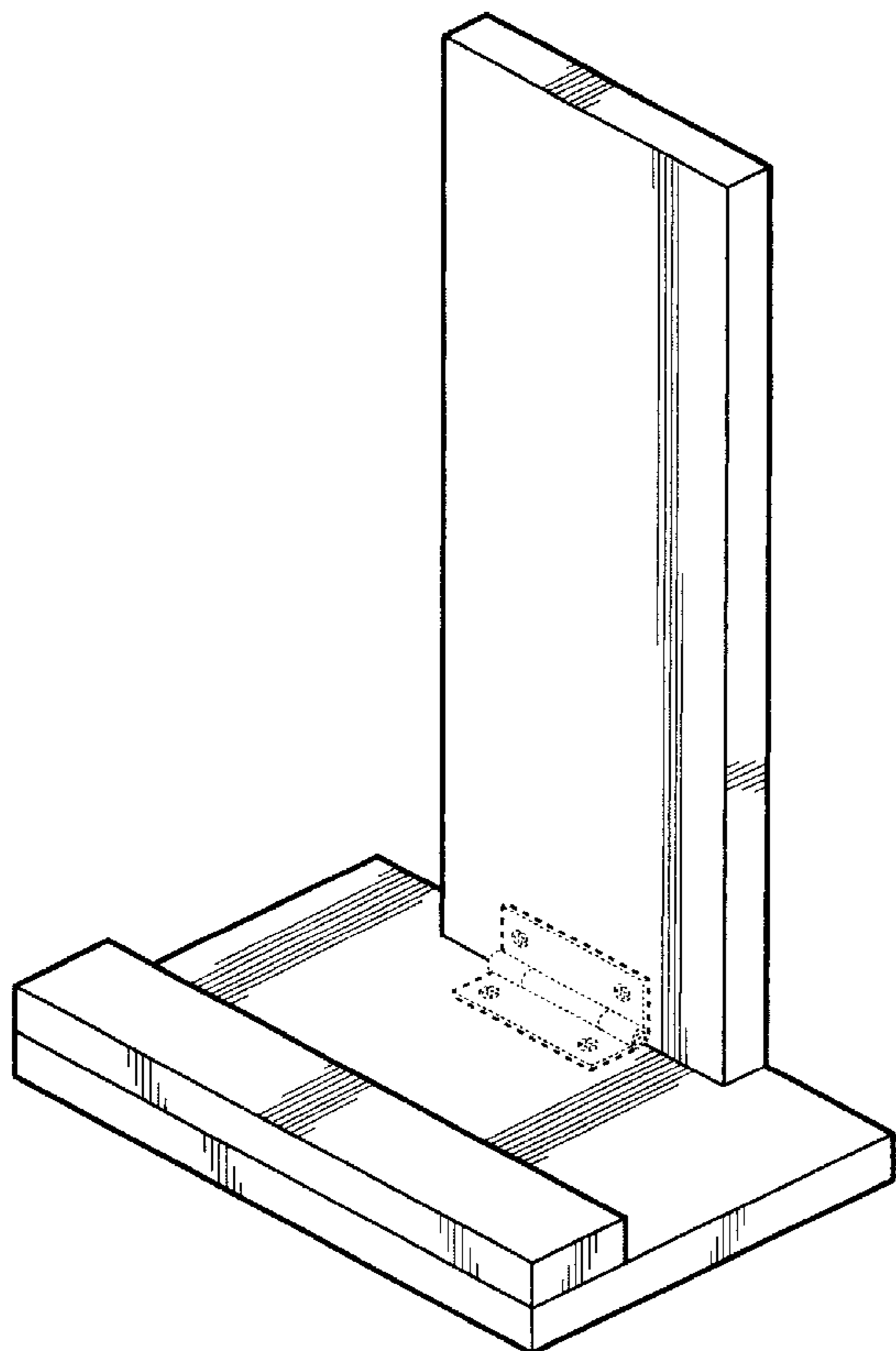
(57) **CLAIM**

The ornamental design of a picture stand, substantially as shown and described.

DESCRIPTION

FIG. 1 is a perspective view of a picture stand; FIG. 2 is a front elevational view of FIG. 1; FIG. 3 is a rear elevational view of FIG. 1; FIG. 4 is a top plan view of FIG. 1; FIG. 5 is a bottom plan view of FIG. 1; FIG. 6 is a left side elevational view of FIG. 1; FIG. 7 is a right side elevational view of FIG. 1; FIG. 8 is a perspective view of a second alternate embodiment; FIG. 9 is a front elevational view of FIG. 8; FIG. 10 is a rear elevational view of FIG. 8; FIG. 11 is a top plan view of FIG. 8; FIG. 12 is bottom view of FIG. 8; FIG. 13 is a left side elevational view of FIG. 8; and, FIG. 14 is a right side elevational view of FIG. 8. The hinge shown in broken lines forms no part of the claimed design.

1 Claim, 8 Drawing Sheets



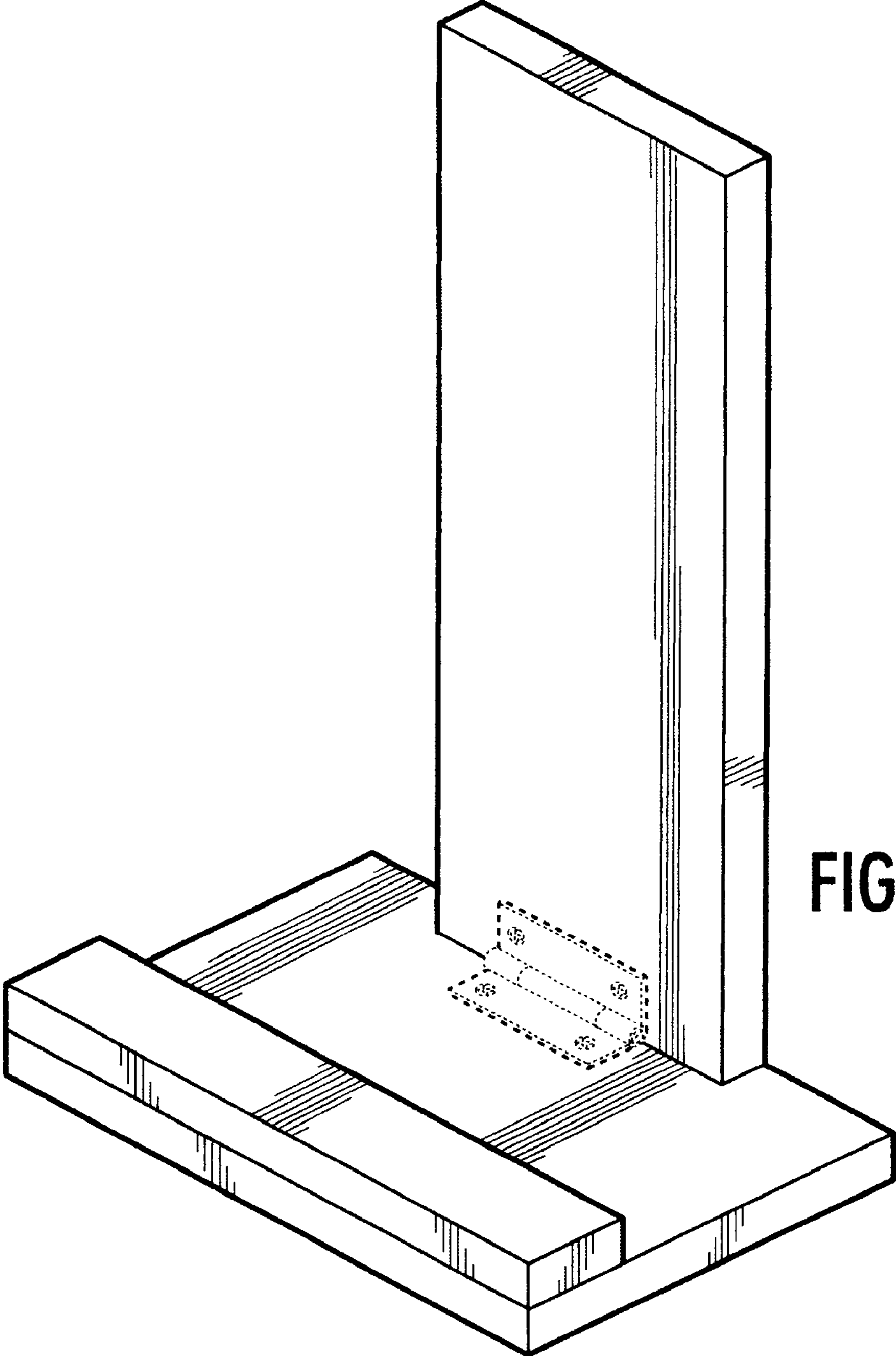


FIG. 1

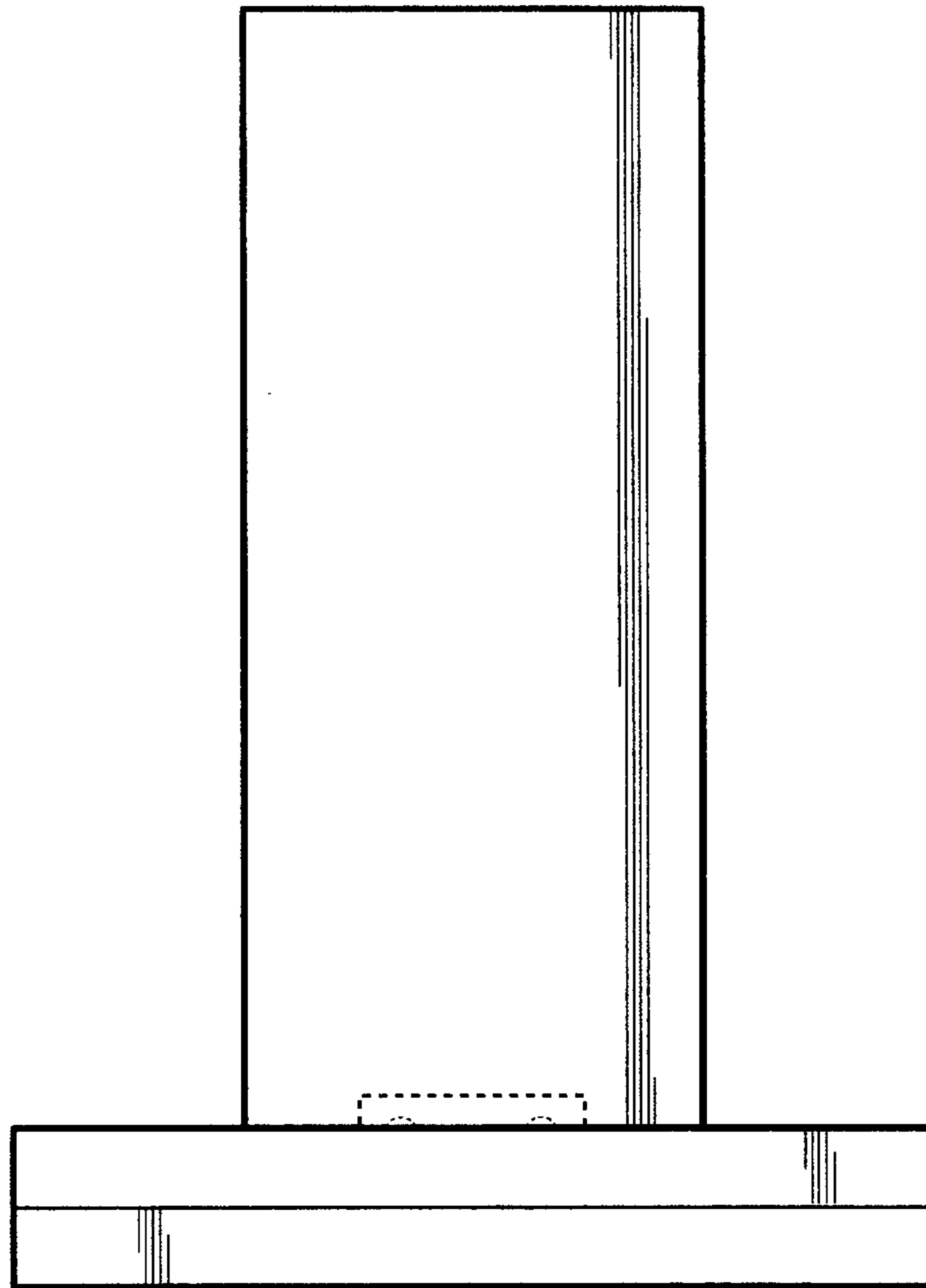


FIG. 2

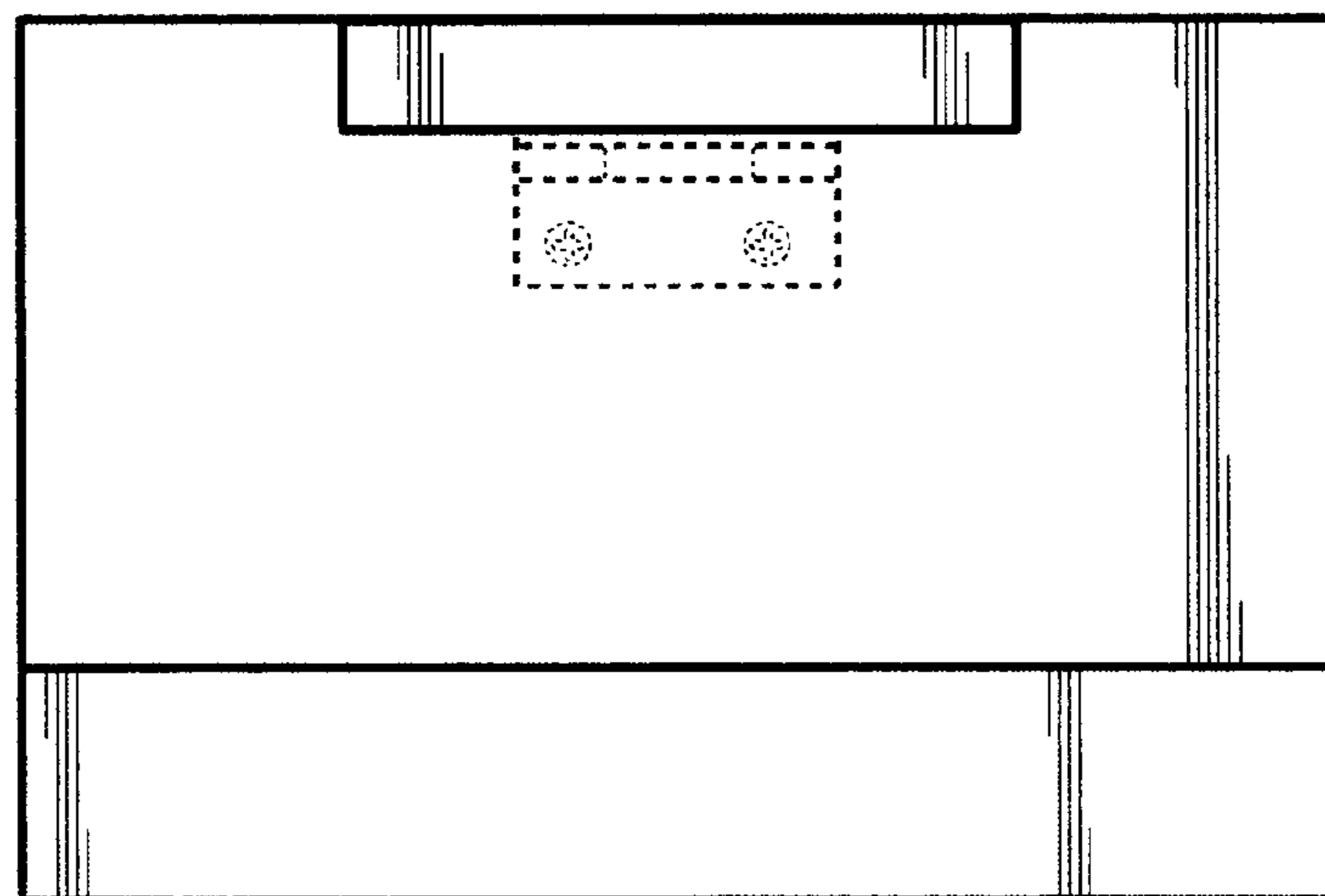


FIG. 4

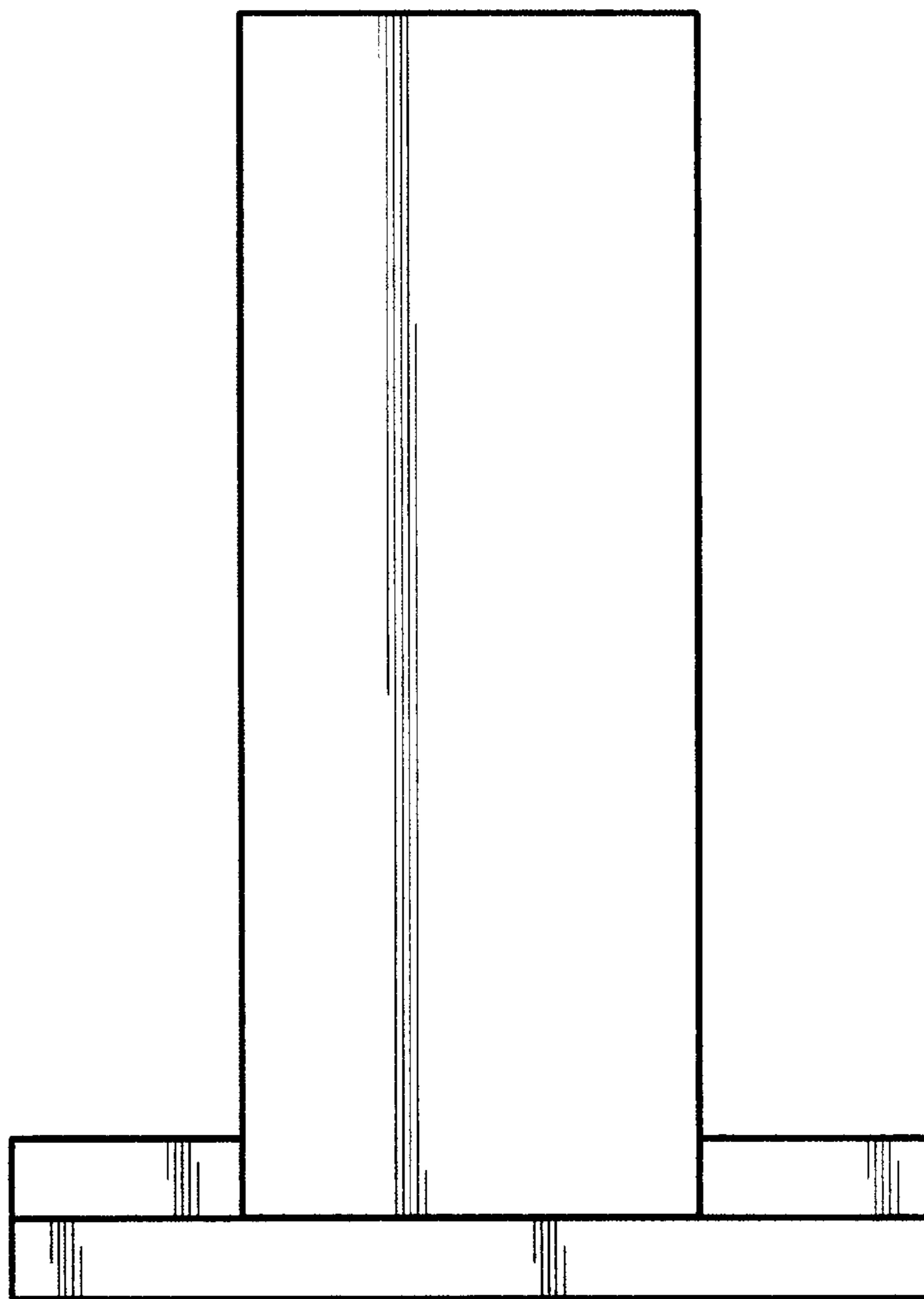


FIG. 3

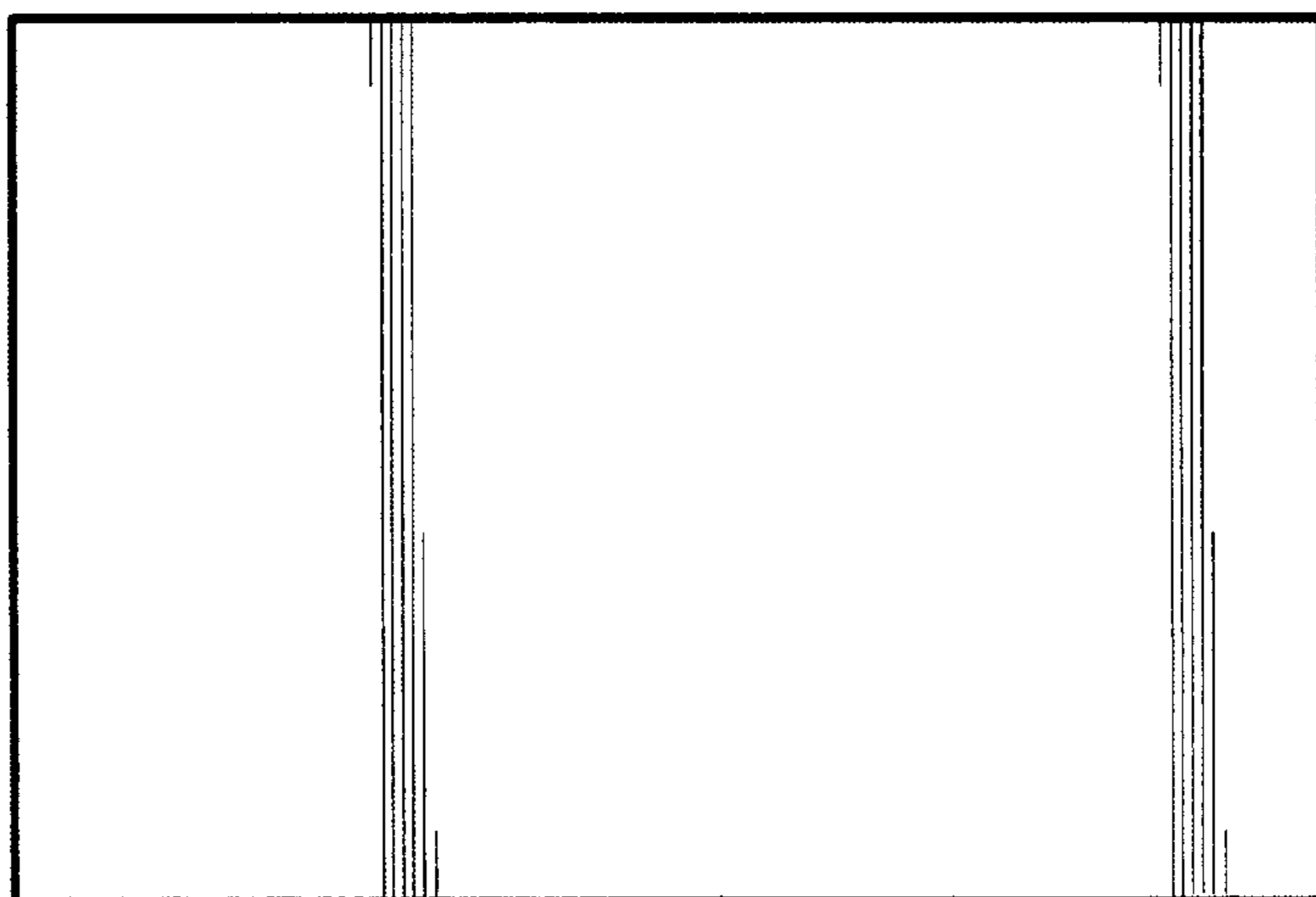


FIG. 5

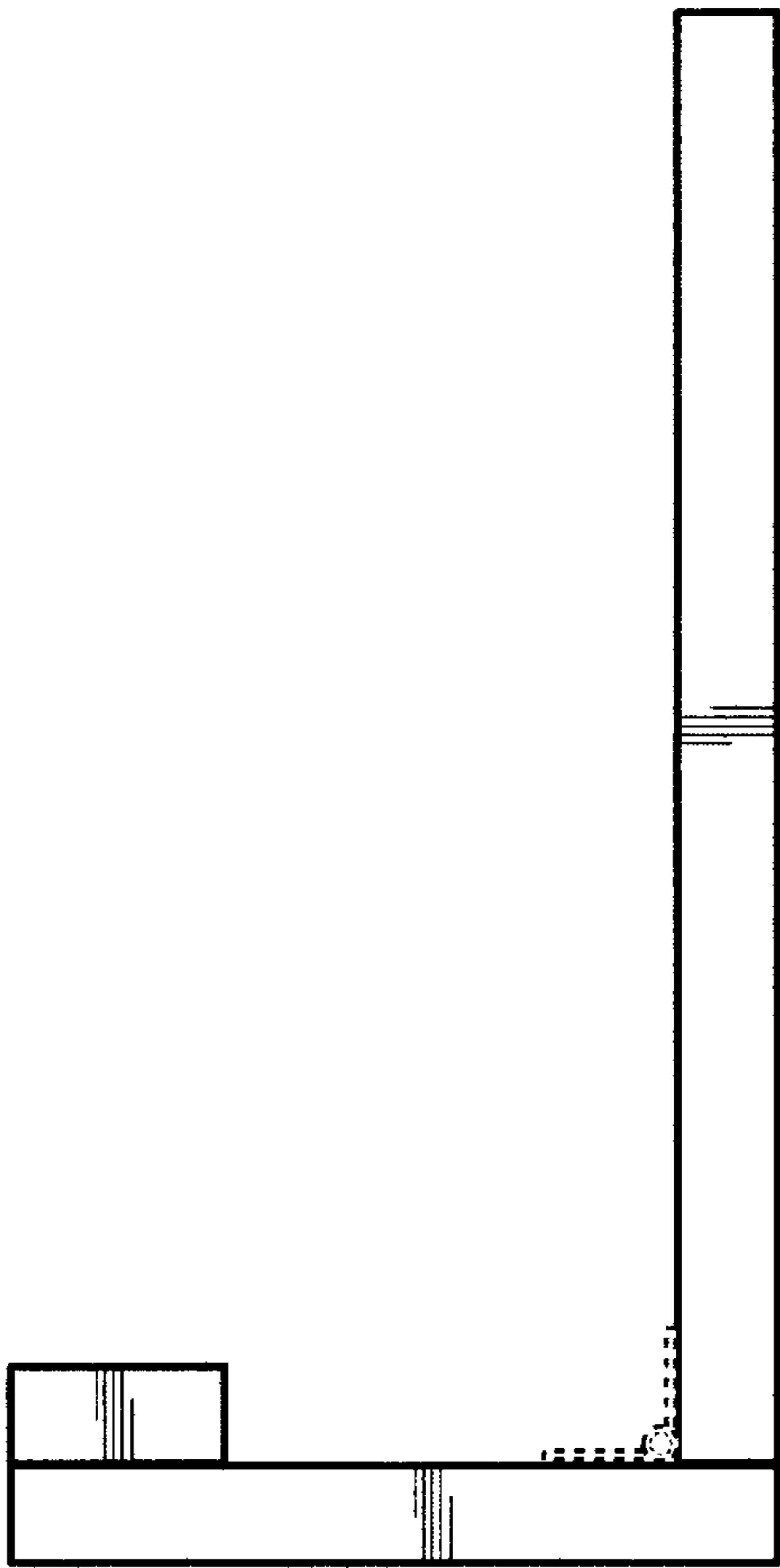


FIG. 6

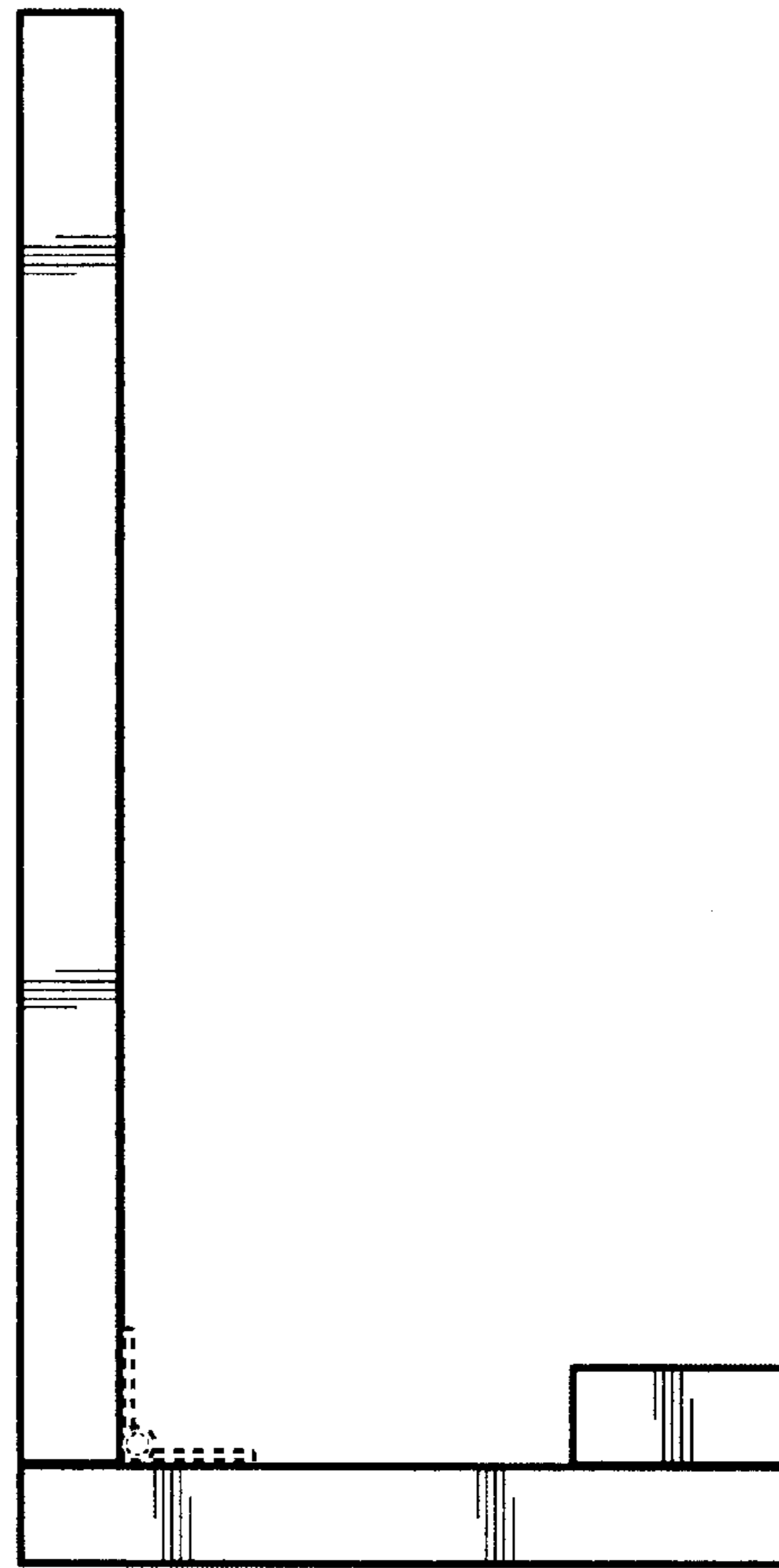


FIG. 7

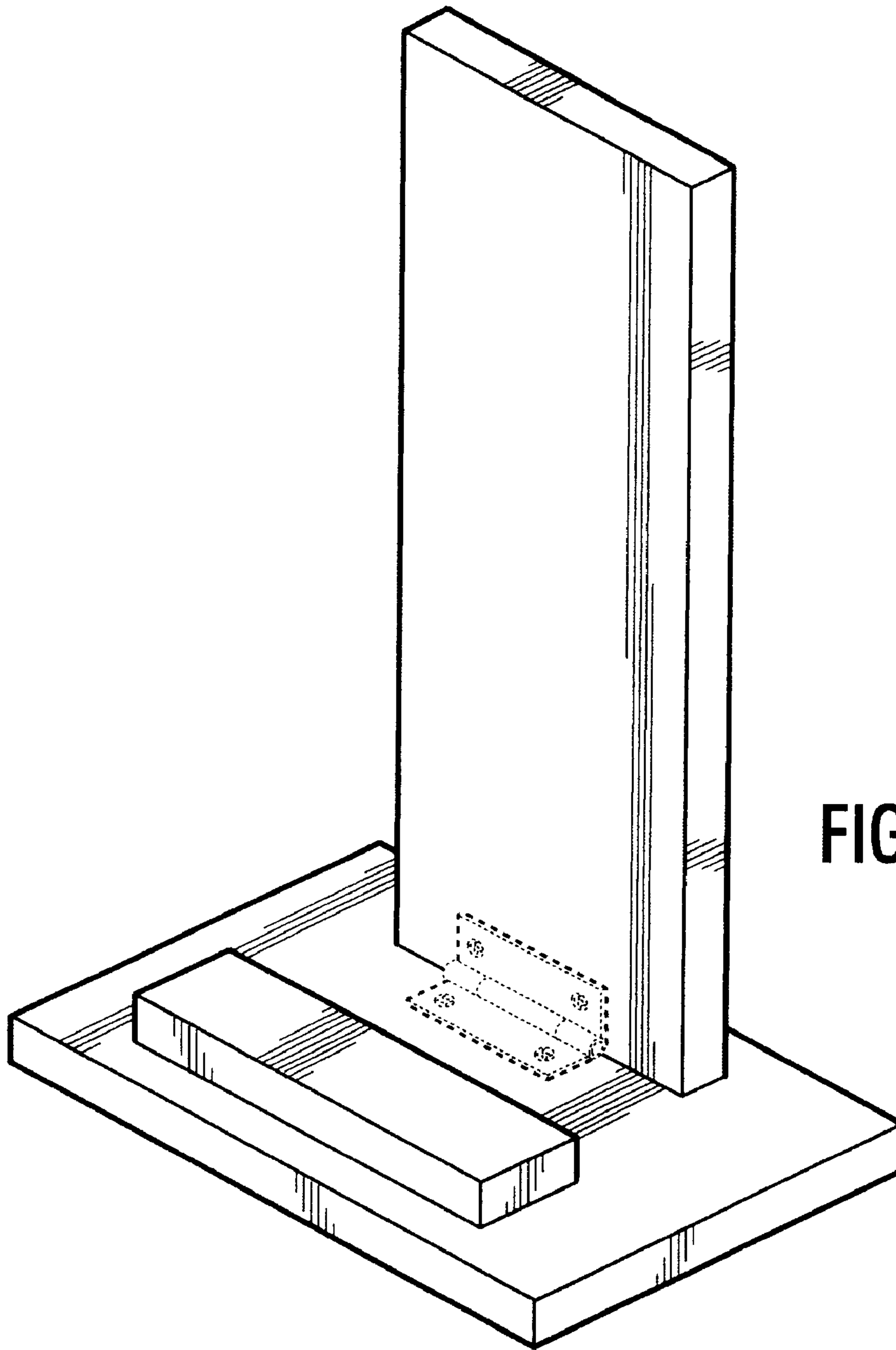


FIG. 8

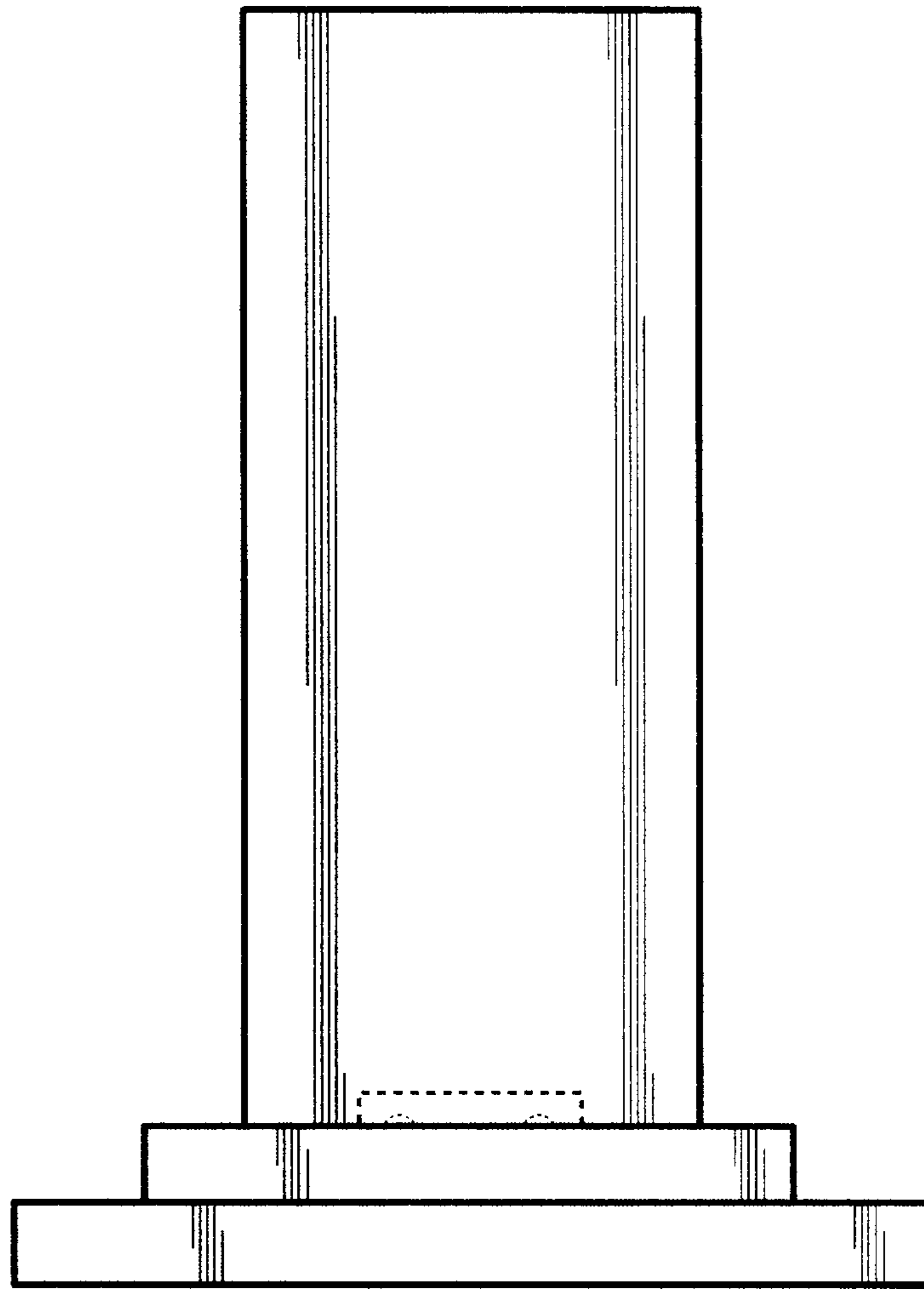


FIG. 9

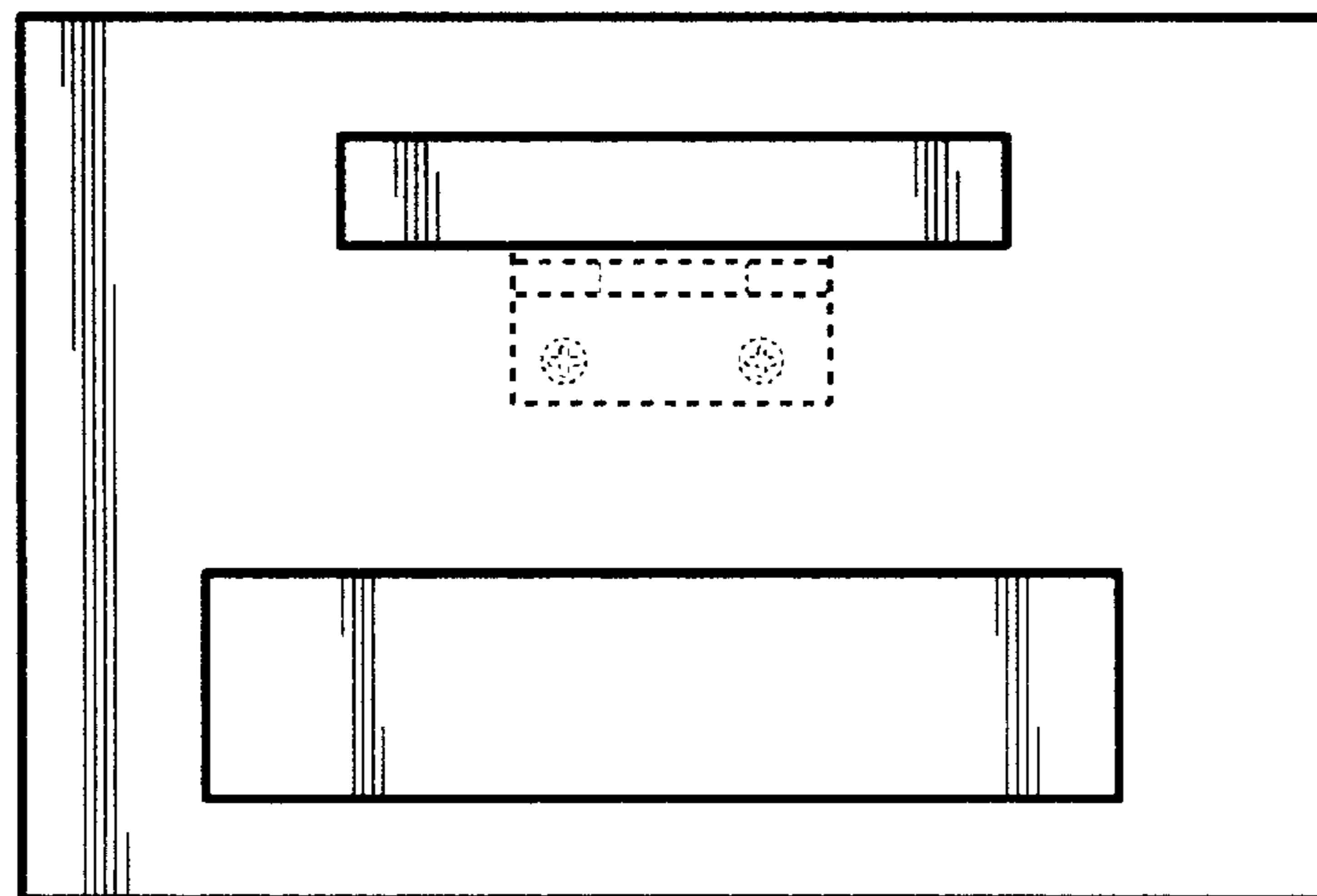


FIG. 11

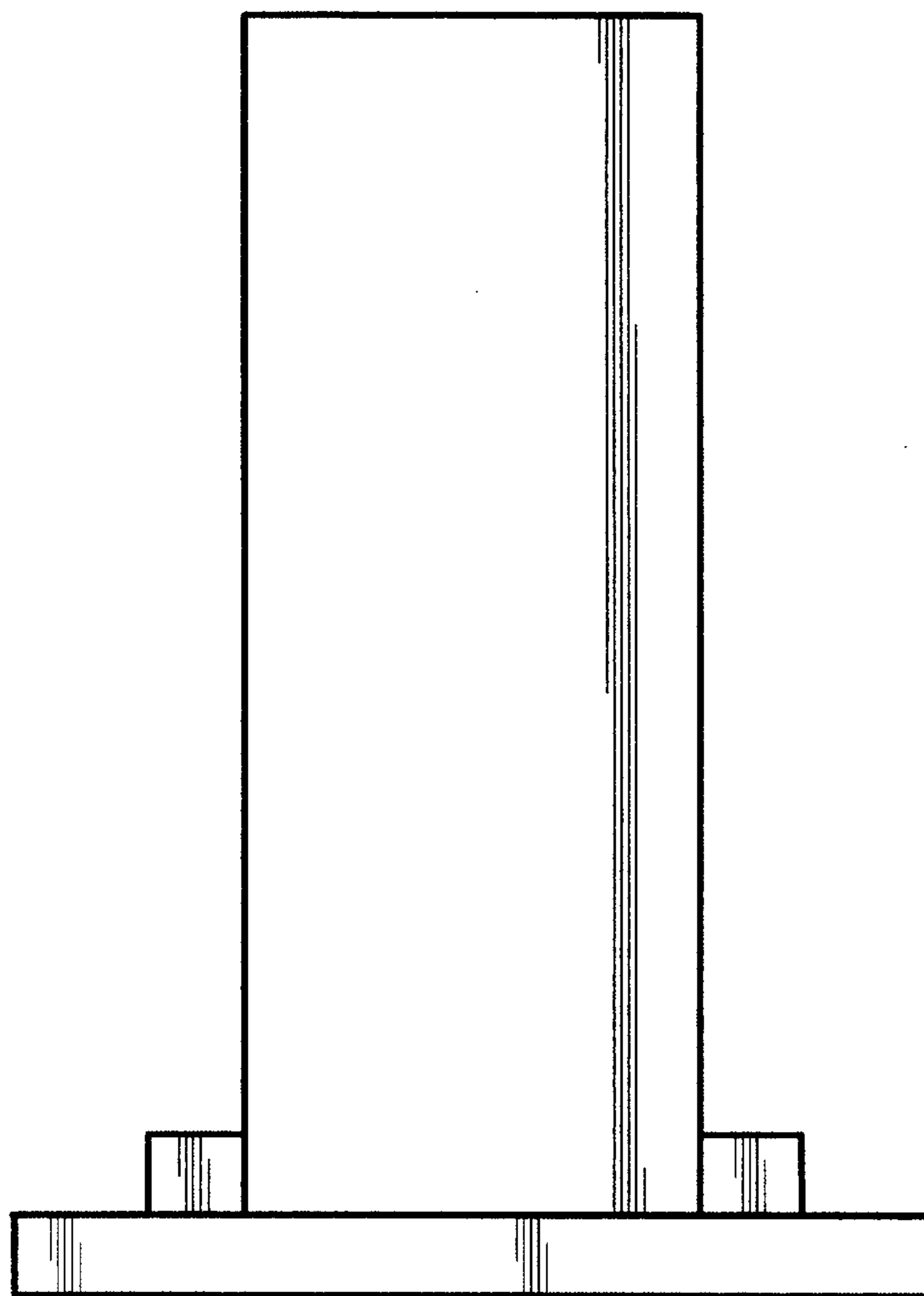


FIG. 10

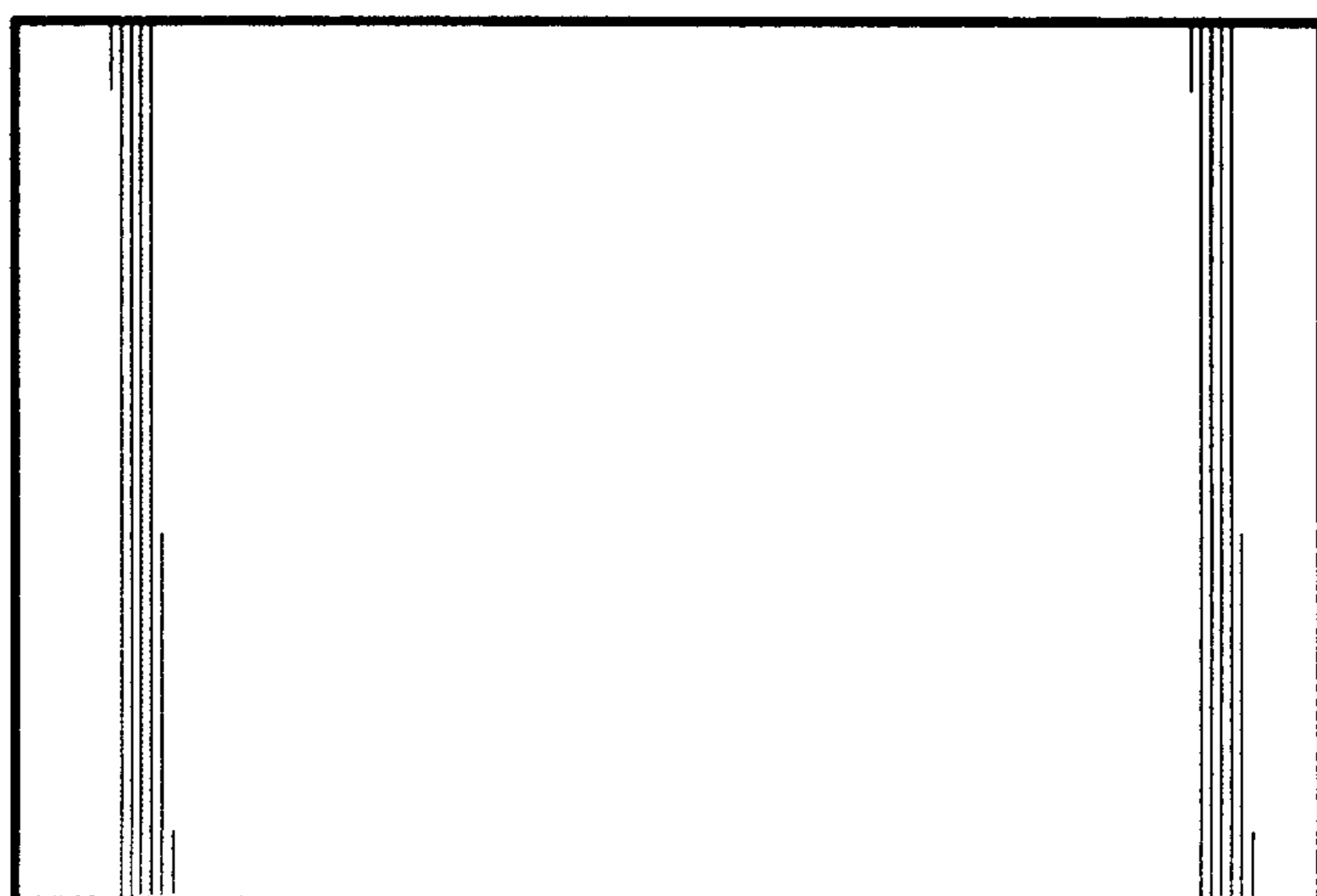


FIG. 12

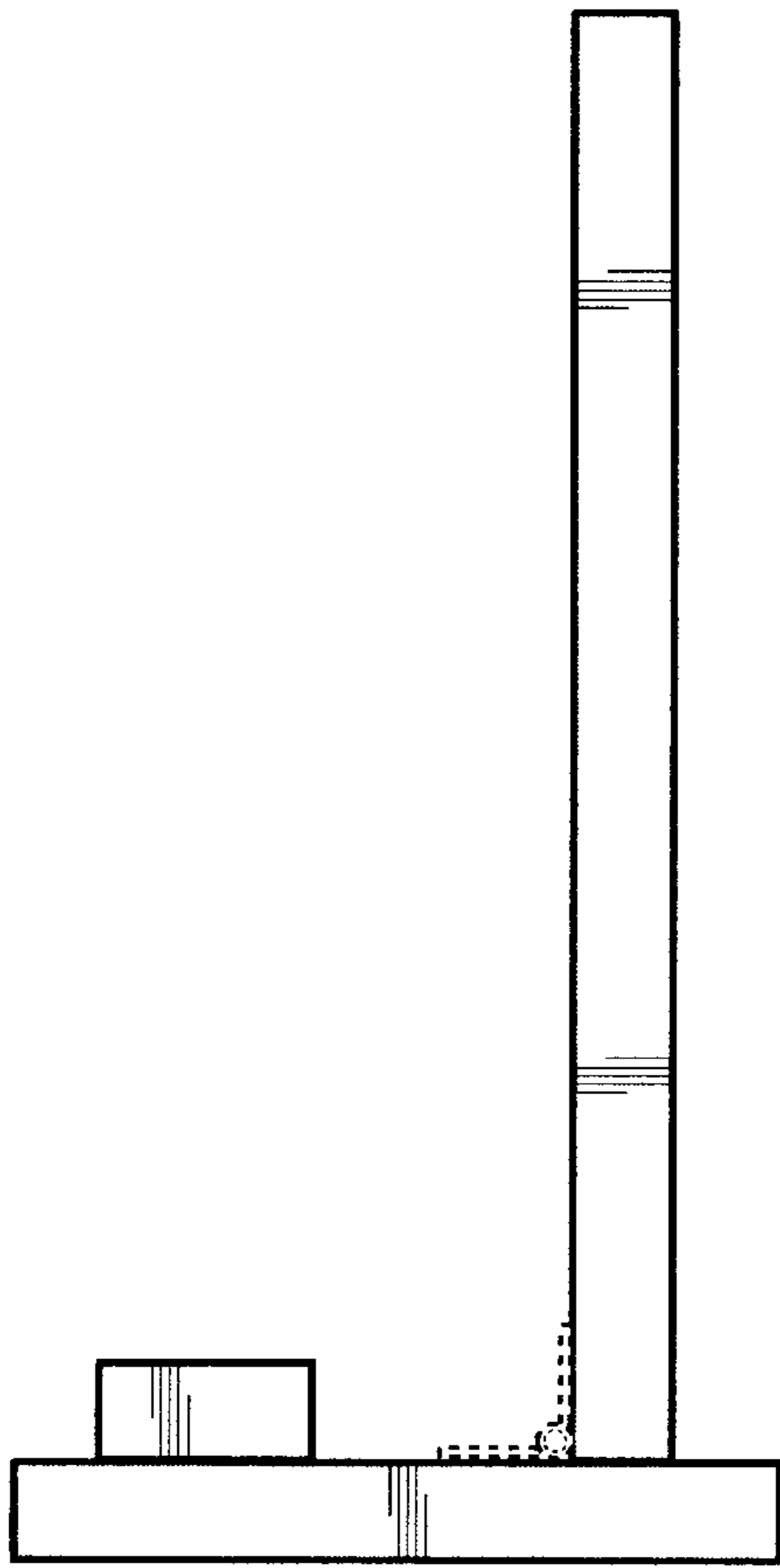


FIG. 13

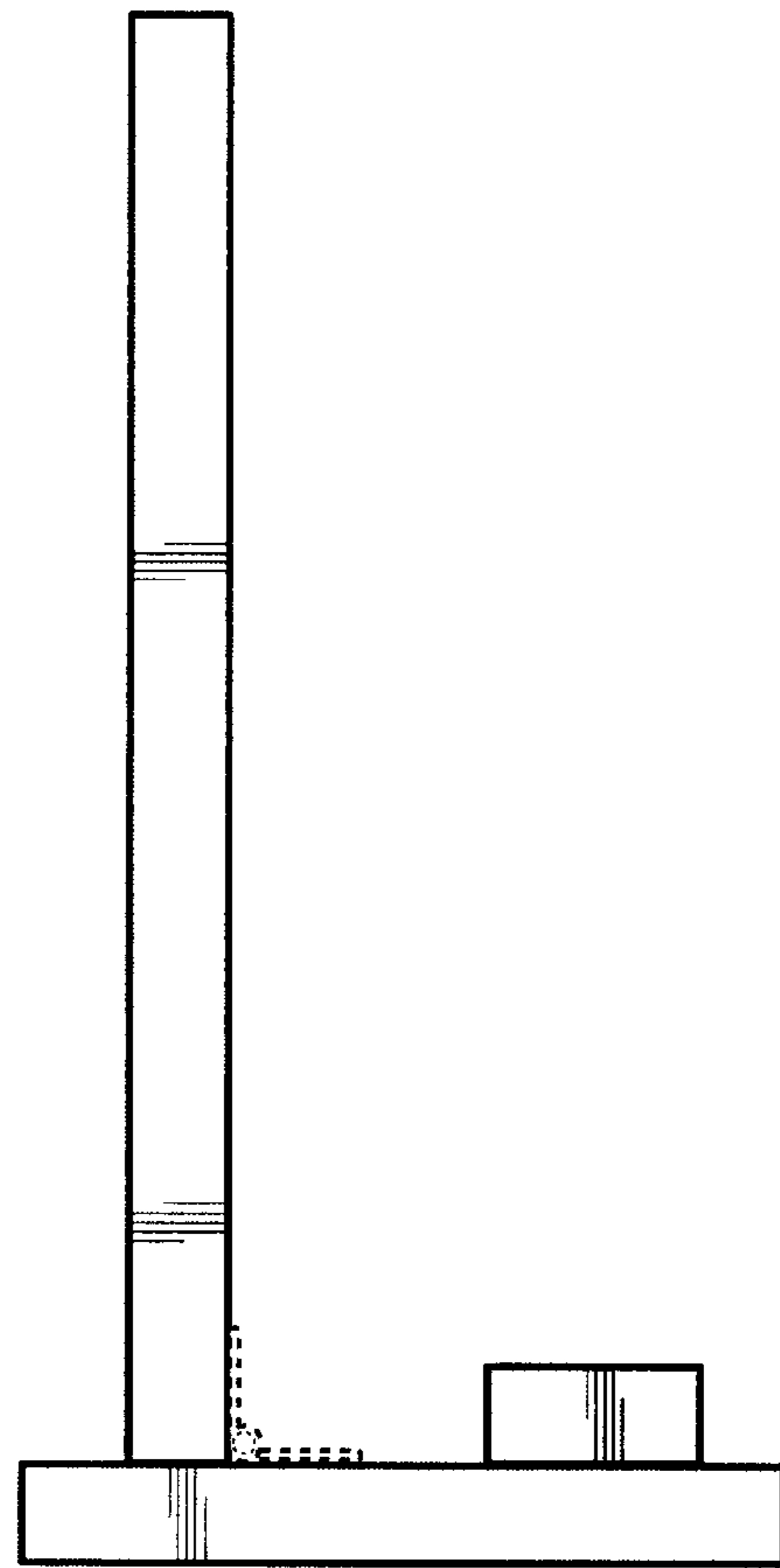


FIG. 14