

US00D521736S

(12) **United States Design Patent**
Gonzalez

(10) **Patent No.:** **US D521,736 S**

(45) **Date of Patent:** **** May 30, 2006**

(54) **HANDBAG**

5,146,966 A * 9/1992 Romano 150/110
D340,579 S * 10/1993 Romano D3/246

(75) Inventor: **Alvaro Gonzalez**, Florence (IT)

OTHER PUBLICATIONS

(73) Assignee: **J. Choo (Jersey) Limited**, Jersey (GB)

U.S. Appl. No. 29/194,691; filed Nov. 26, 2003, to Alvaro Gonzalez.

(**) Term: **14 Years**

U.S. Appl. No. 29/215,079; filed Oct. 13, 2004, to Alvaro Gonzalez.

(21) Appl. No.: **29/214,186**

U.S. Appl. No. 29/215,211; filed Oct. 15, 2004, to Alvaro Gonzalez.

(22) Filed: **Sep. 29, 2004**

* cited by examiner

(30) **Foreign Application Priority Data**

Apr. 14, 2004 (EM) 000169826-0002

Primary Examiner—Sandra S. Snapp

(51) **LOC (8) Cl.** **03-99**

(74) *Attorney, Agent, or Firm*—Fross Zelnick Lehrman & Zissu, P.C.; Lawrence E. Apolzon, Esq.; Charles T.J. Weigell III, Esq.

(52) **U.S. Cl.** **D3/321**

(58) **Field of Classification Search** D3/318,
D3/319, 321–328, 226, 229, 230, 232, 234,
D3/235, 242, 243, 245, 246, 270, 295, 271.2,
D3/304, 306; D12/409; 70/2, 6; 150/100,
150/107, 111, 118, 130, 900, 112, 114, 117,
150/127; 190/100, 119, 125, 127, 109, 110,
190/900–903; 224/42.11, 236, 429, 430,
224/609, 436, 439; 383/907, 38

(57) **CLAIM**

See application file for complete search history.

The ornamental design for a handbag, as shown and described.

DESCRIPTION

(56) **References Cited**

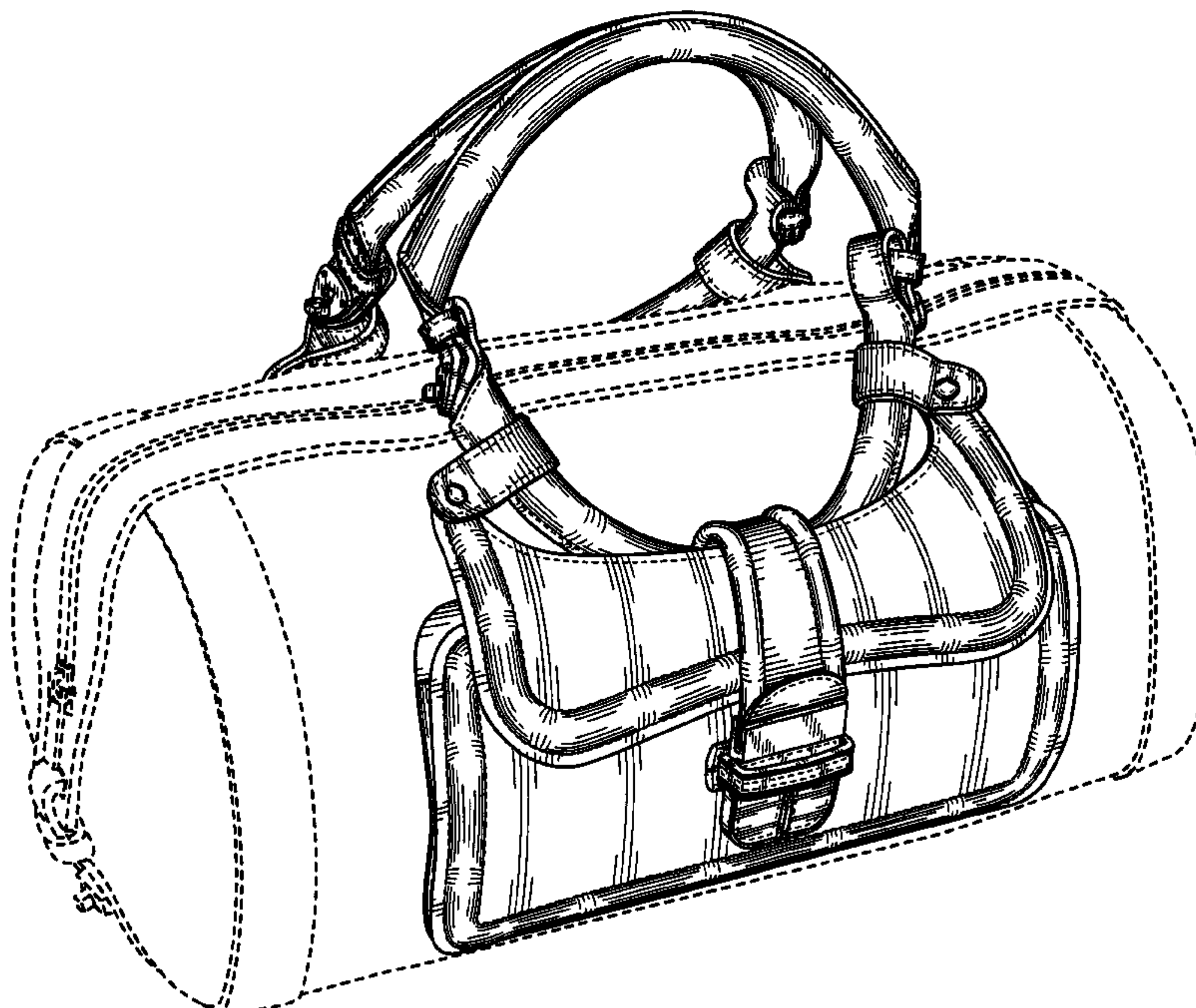
U.S. PATENT DOCUMENTS

D110,184 S * 6/1938 Lobel D3/240
D163,726 S * 6/1951 Wiggin
3,108,627 A * 10/1963 Tatelman 150/103
D235,690 S * 7/1975 Barad
D240,090 S * 5/1976 Siegel
D262,587 S * 1/1982 Hyers D3/246
D273,536 S * 4/1984 Schimmel D3/243
D283,081 S * 3/1986 Hansen D3/246
4,907,633 A * 3/1990 Eckstein 150/105

FIG. 1 is a front perspective view of a handbag showing my handbag design;
FIG. 2 is a front view of the handbag shown in FIG. 1;
FIG. 3 is a back view of the handbag shown in FIG. 1;
FIG. 4 is a left side view of the handbag shown in FIG. 1;
FIG. 5 is a right side view of the handbag shown in FIG. 1;
FIG. 6 is a top view of the handbag shown in FIG. 1; and
FIG. 7 is a bottom view of the handbag shown in FIG. 1.

The broken line showing of the zipper, zipper pull, stitching other than that shown within the claimed pocket and handles, and the overall bag structure is for illustrative purposes only and forms no part of the claimed design.

1 Claim, 7 Drawing Sheets



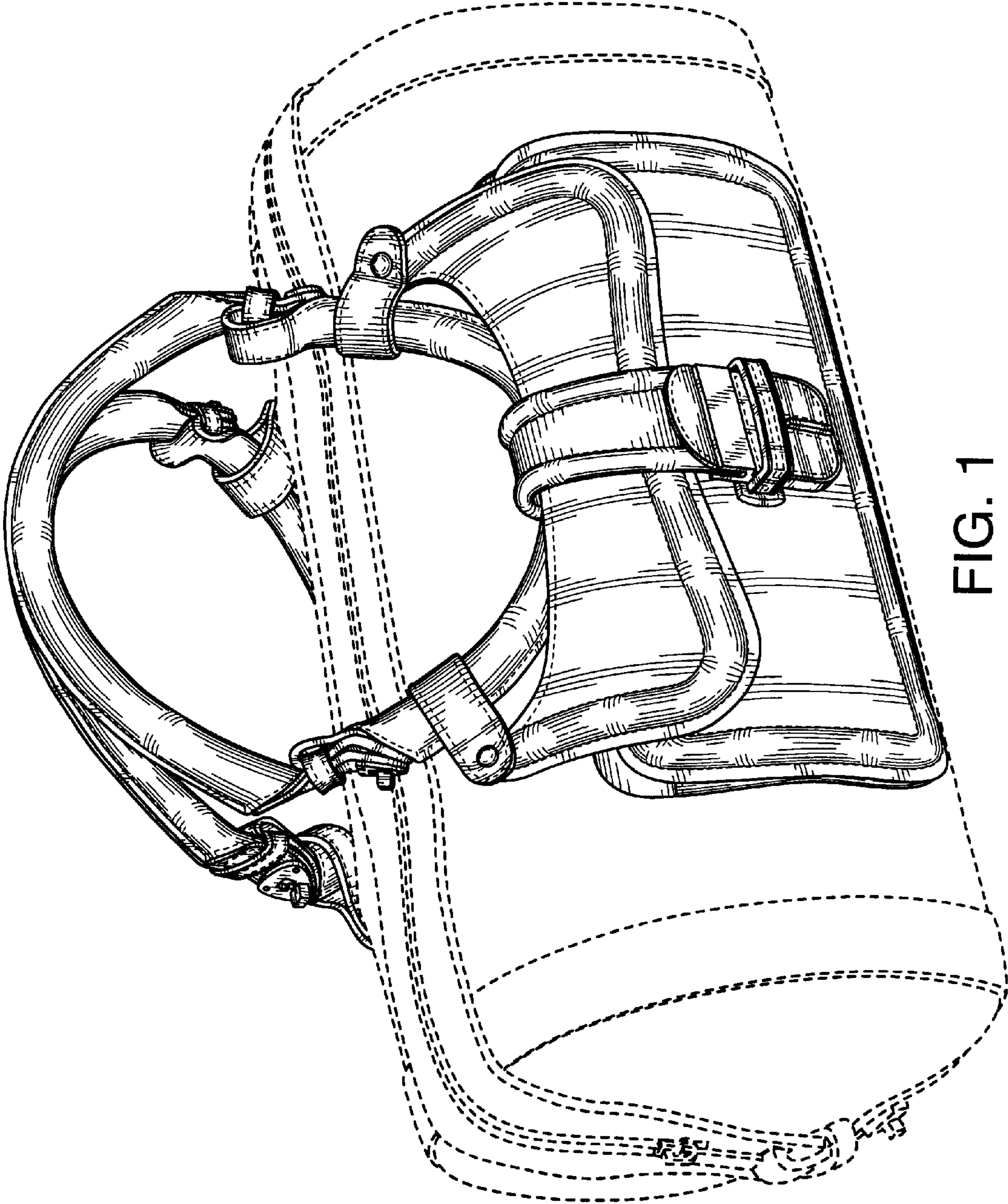


FIG. 1

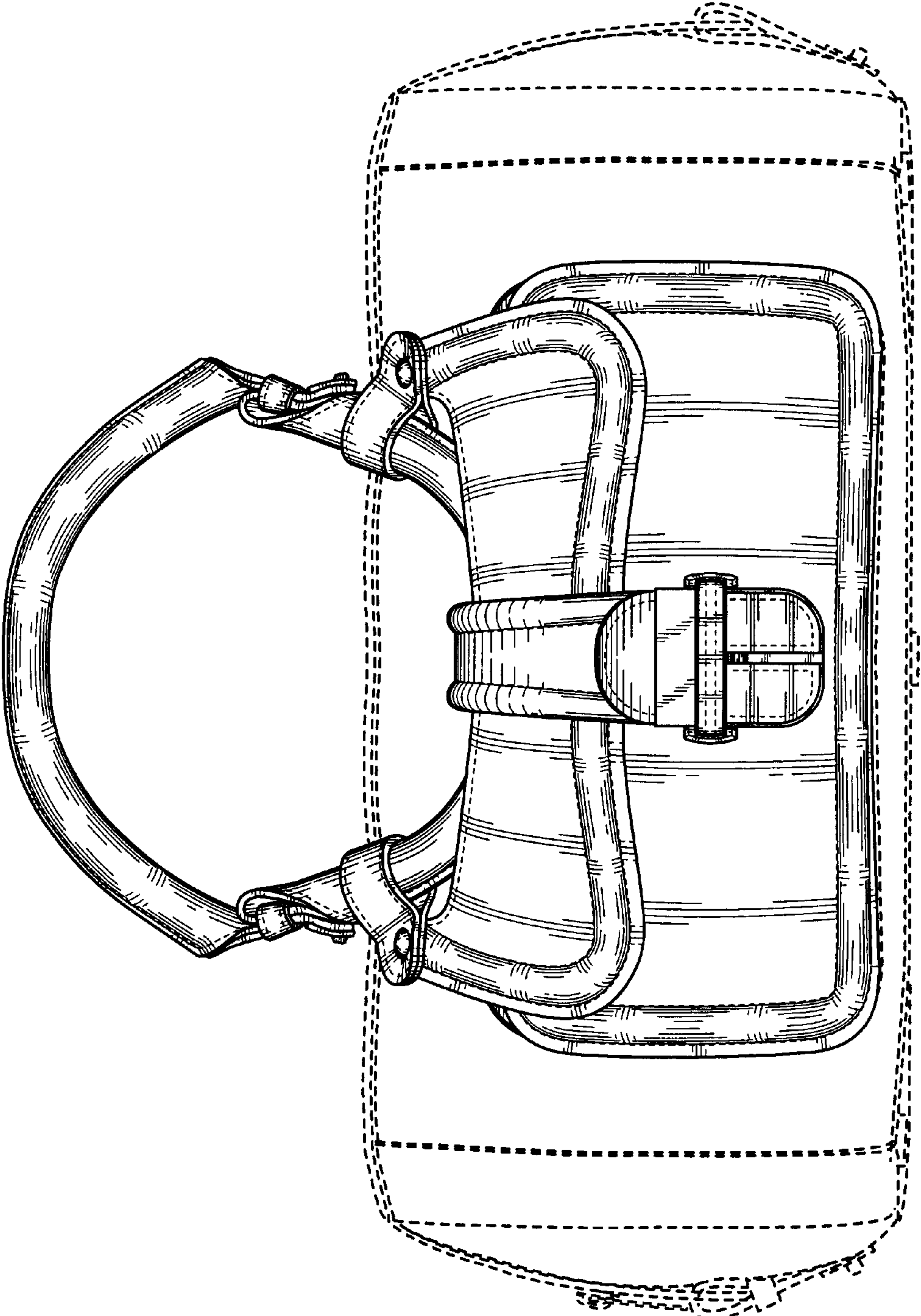


FIG. 2

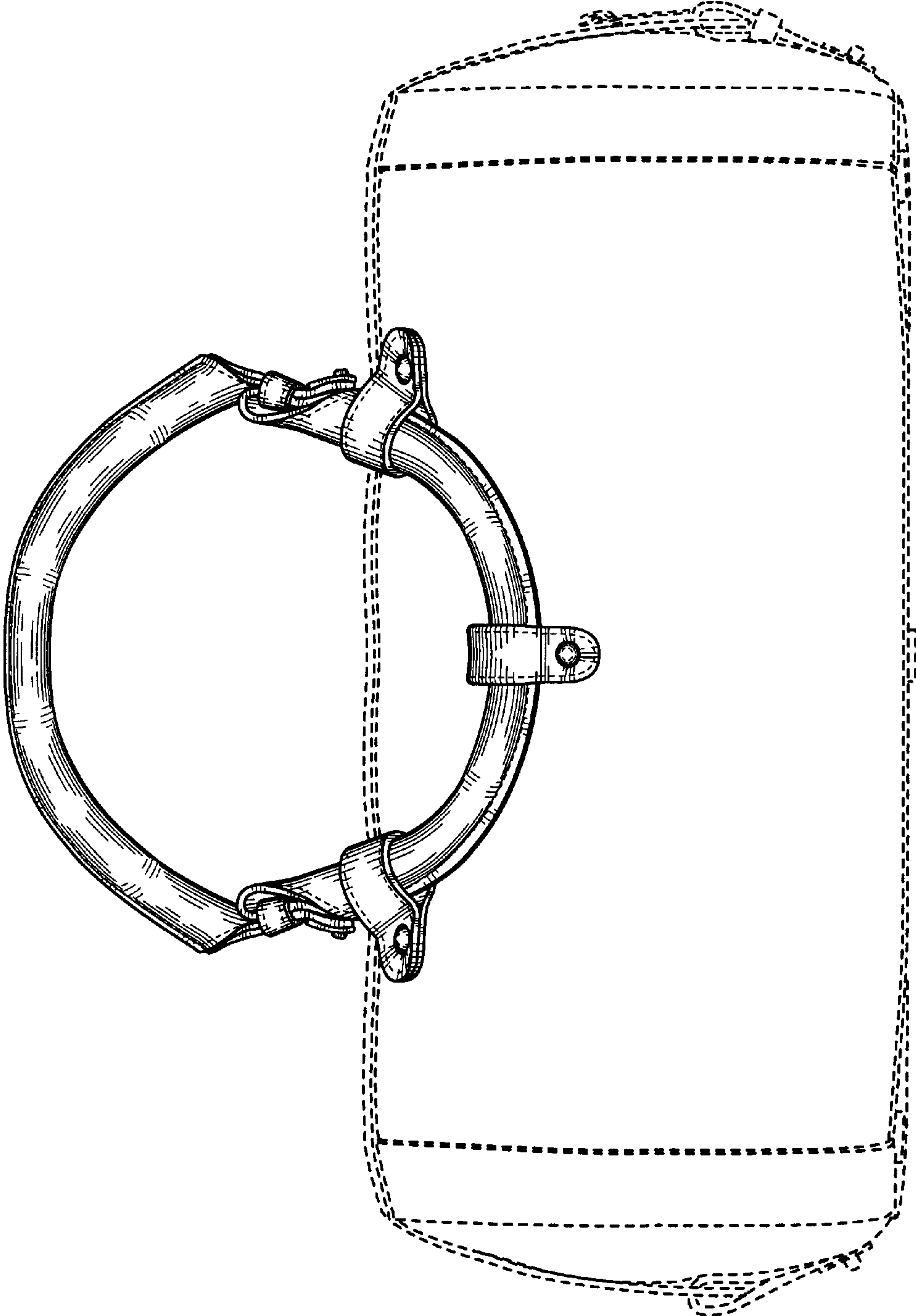


FIG. 3

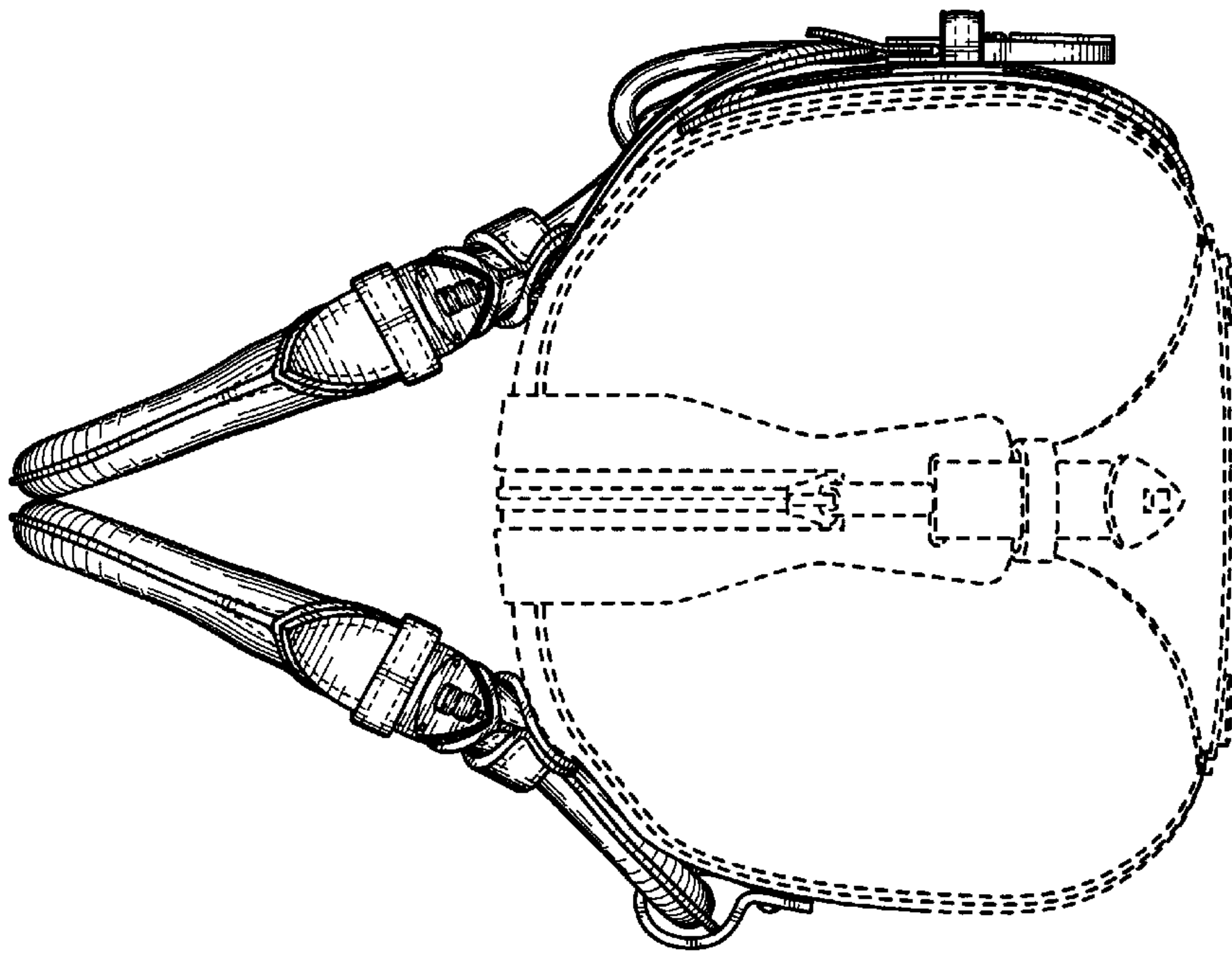


FIG. 4

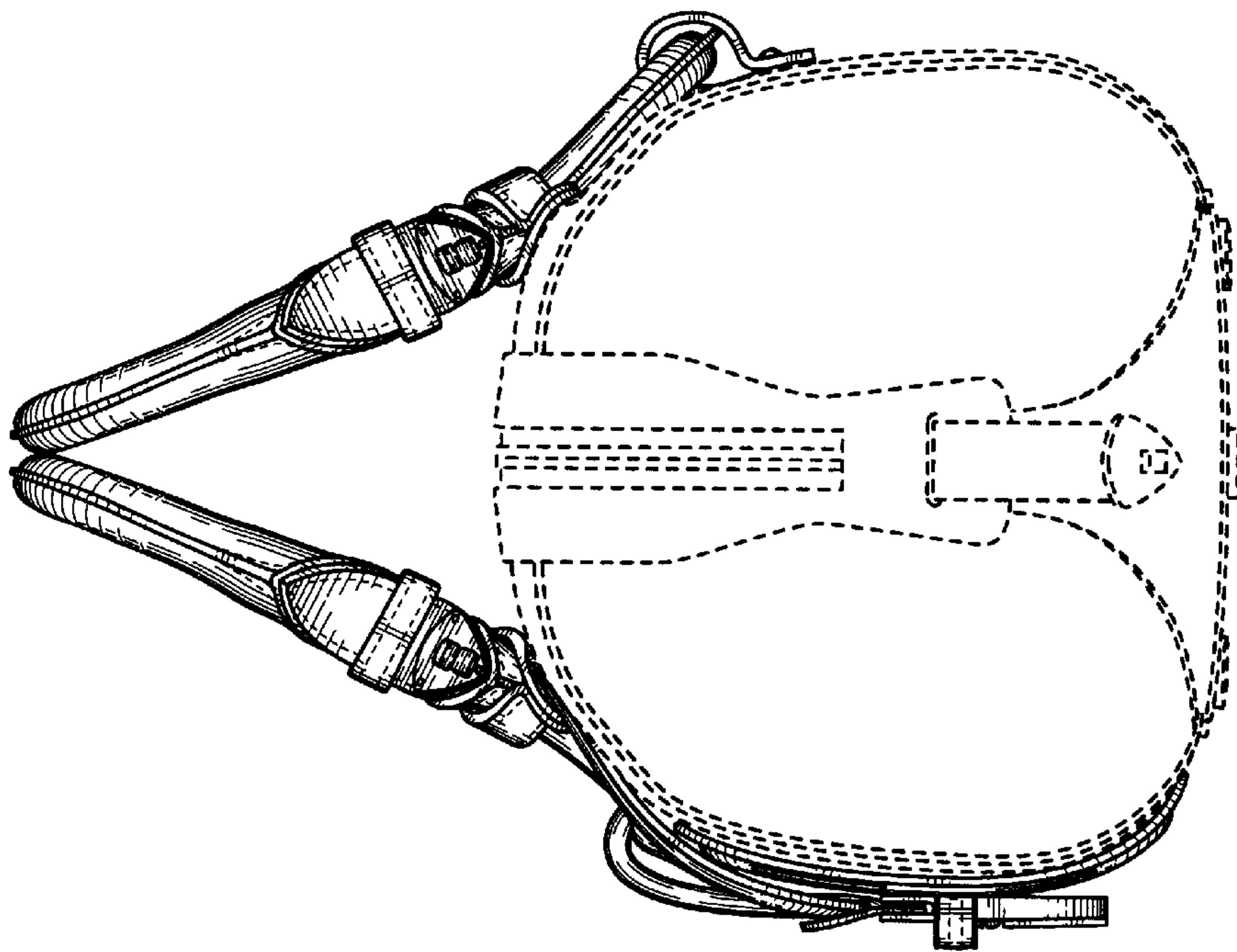


FIG. 5

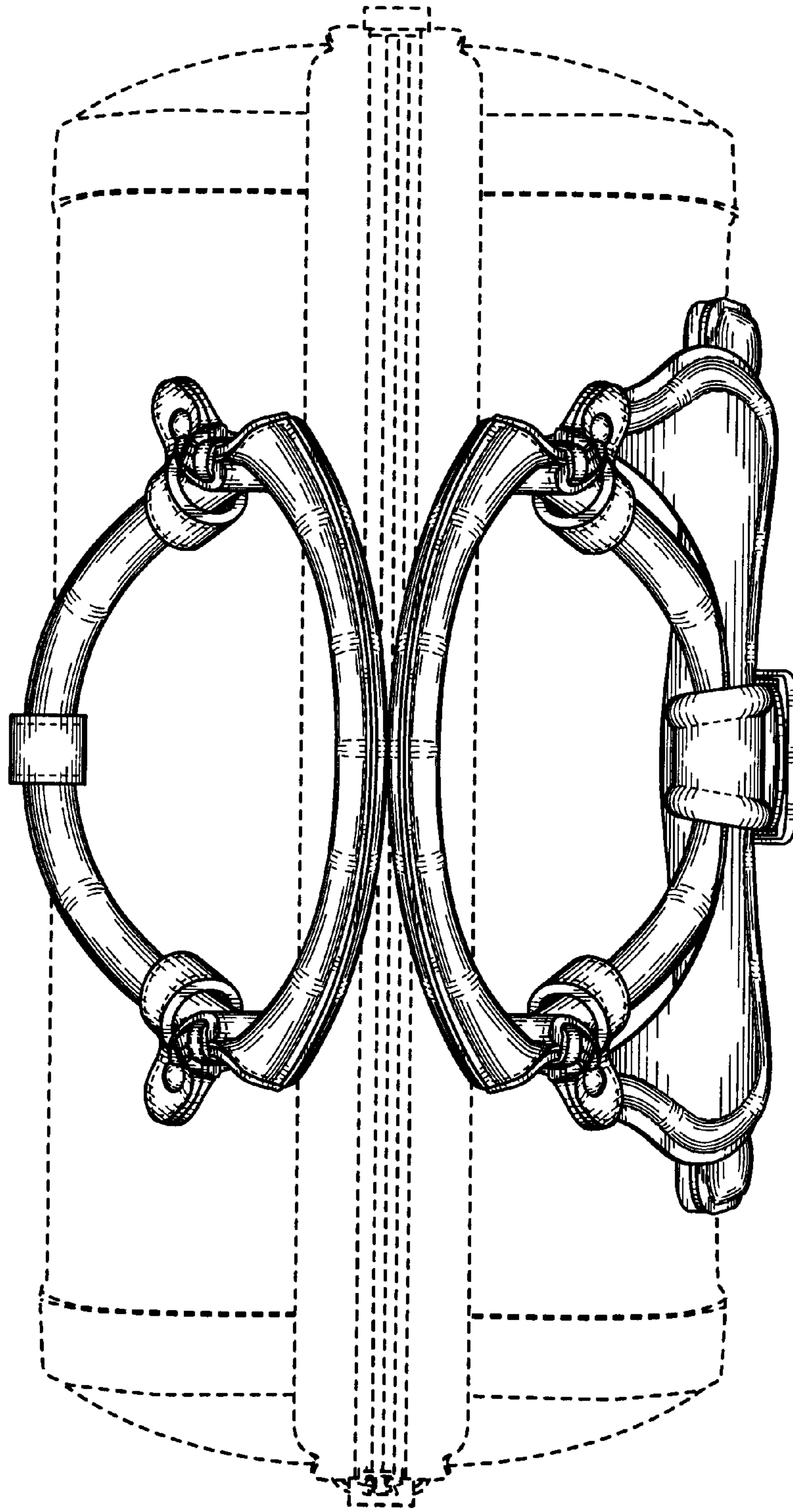


FIG. 6

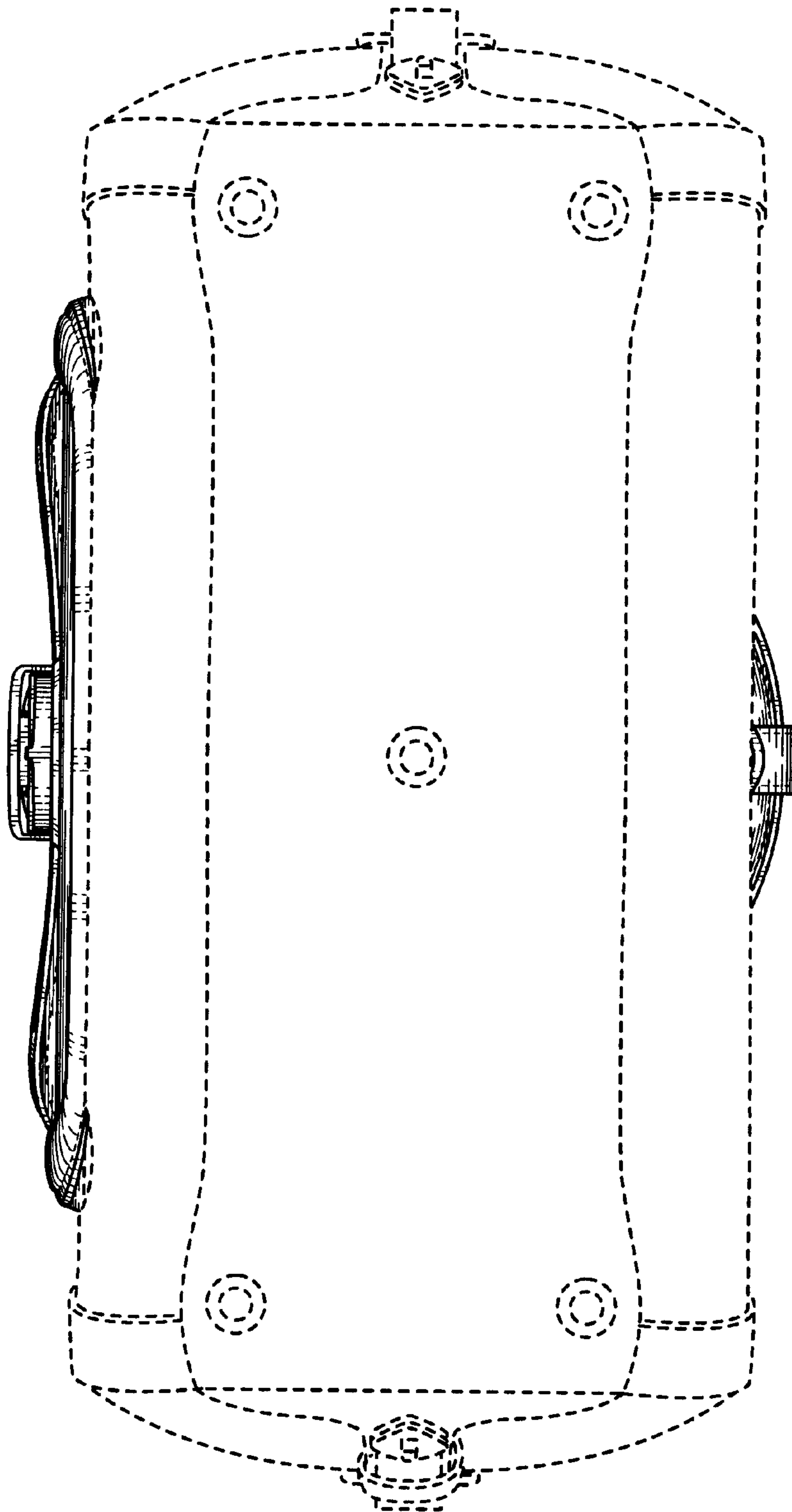


FIG. 7