

US00D521735S

(12) **United States Design Patent**  
**Tagliati**

(10) **Patent No.:** **US D521,735 S**

(45) **Date of Patent:** **\*\* May 30, 2006**

(54) **POCKET FOR HOLDING ITEMS IN A PICNIC PACK**

(76) Inventor: **Mario Tagliati**, 772 Country Valley Rd., Thousand Oaks, CA (US) 91362

(\*\*) Term: **14 Years**

(21) Appl. No.: **29/235,605**

(22) Filed: **Aug. 3, 2005**

**Related U.S. Application Data**

(62) Division of application No. 29/191,268, filed on Oct. 3, 2003.

(51) **LOC (8) Cl.** ..... **03-99**

(52) **U.S. Cl.** ..... **D3/319**

(58) **Field of Classification Search** ..... D3/318-328, D3/54, 37; 383/907; 224/250, 223, 651-654; 150/112; 190/109-111, 900-903

See application file for complete search history.

(56) **References Cited**

**U.S. PATENT DOCUMENTS**

D182,212 S	*	2/1958	Weiner	.....	D3/319
D283,560 S	*	4/1986	Uchin	.....	D3/319
D336,154 S	*	6/1993	Phillips	.....	D3/320

\* cited by examiner

*Primary Examiner*—Sandra S. Snapp  
(74) *Attorney, Agent, or Firm*—Trojan Law Office

(57) **CLAIM**

The ornamental design for a pocket for holding items in a picnic pack, as shown and described.

**DESCRIPTION**

FIG. 1 is an isometric view of pocket for holding items in a picnic pack showing my novel pocket design for holding salt and pepper shakers;

FIG. 2 is a front elevation view of the pocket for holding items in a picnic pack of FIG. 1;

FIG. 3 is a left side elevation view of the pocket for holding items in a picnic pack of FIG. 1, the right side view being an identical mirror image thereof;

FIG. 4 is a top plan view of the pocket for holding items in a picnic pack of FIG. 1;

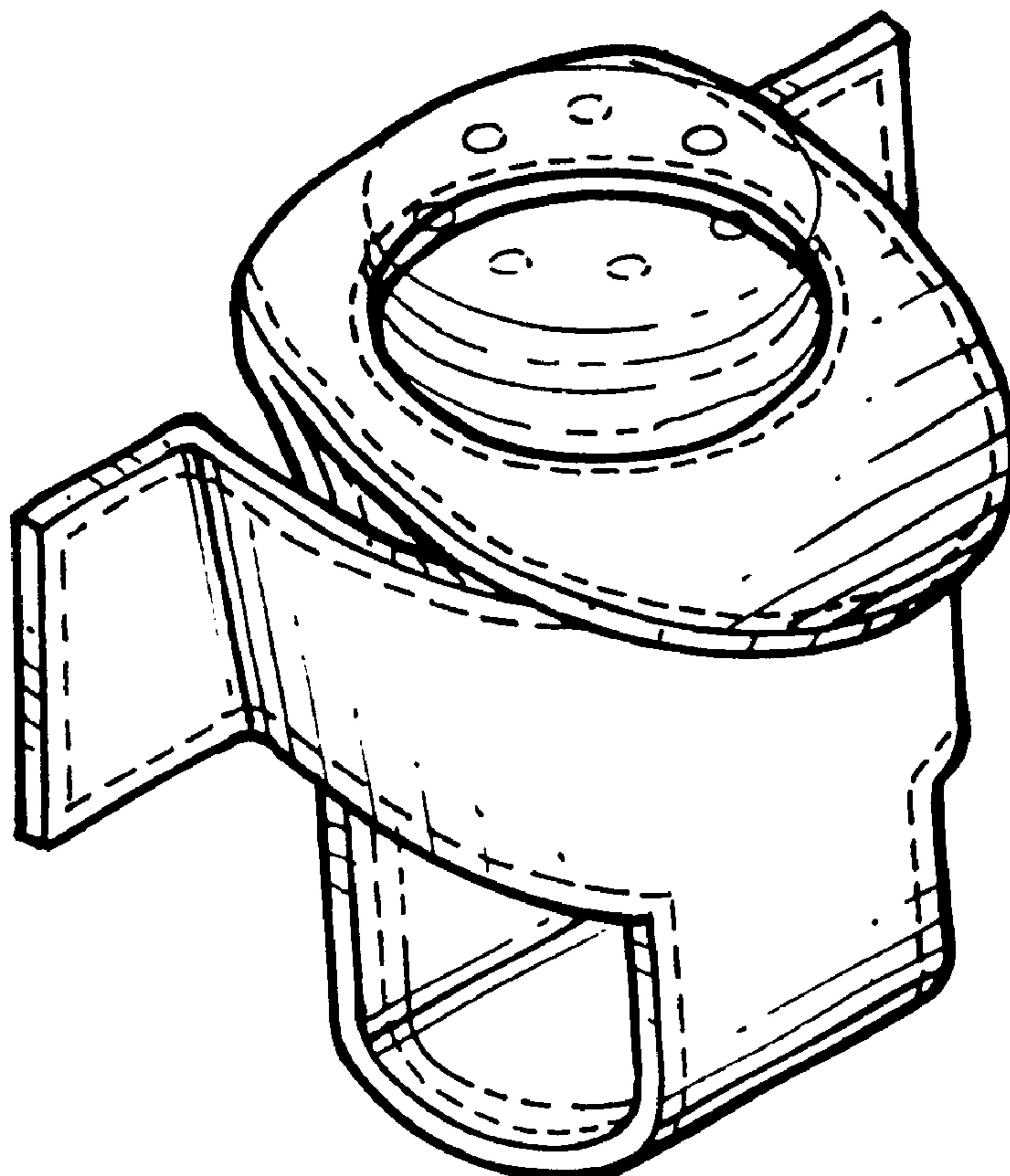
FIG. 5 is a bottom plan view of the pocket for holding items in a picnic pack of FIG. 1;

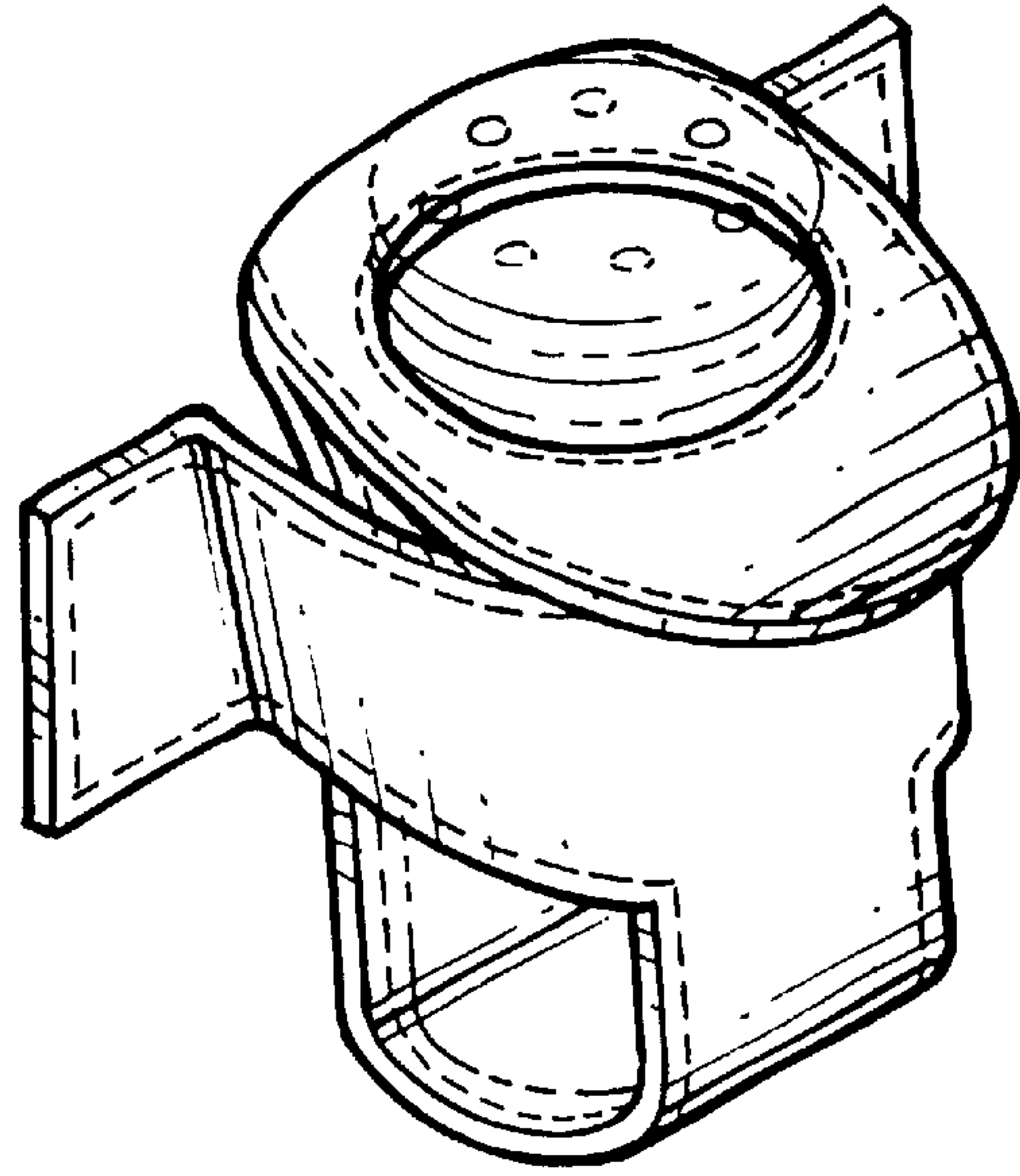
FIG. 6 is an isometric view of an alternate design of the pocket for holding items in a picnic pack of FIG. 1 for holding salt and pepper shakers; and,

FIG. 7 is a left side elevation view of the pocket for holding items in a picnic pack of FIG. 6, the right side view being an identical mirror image thereof.

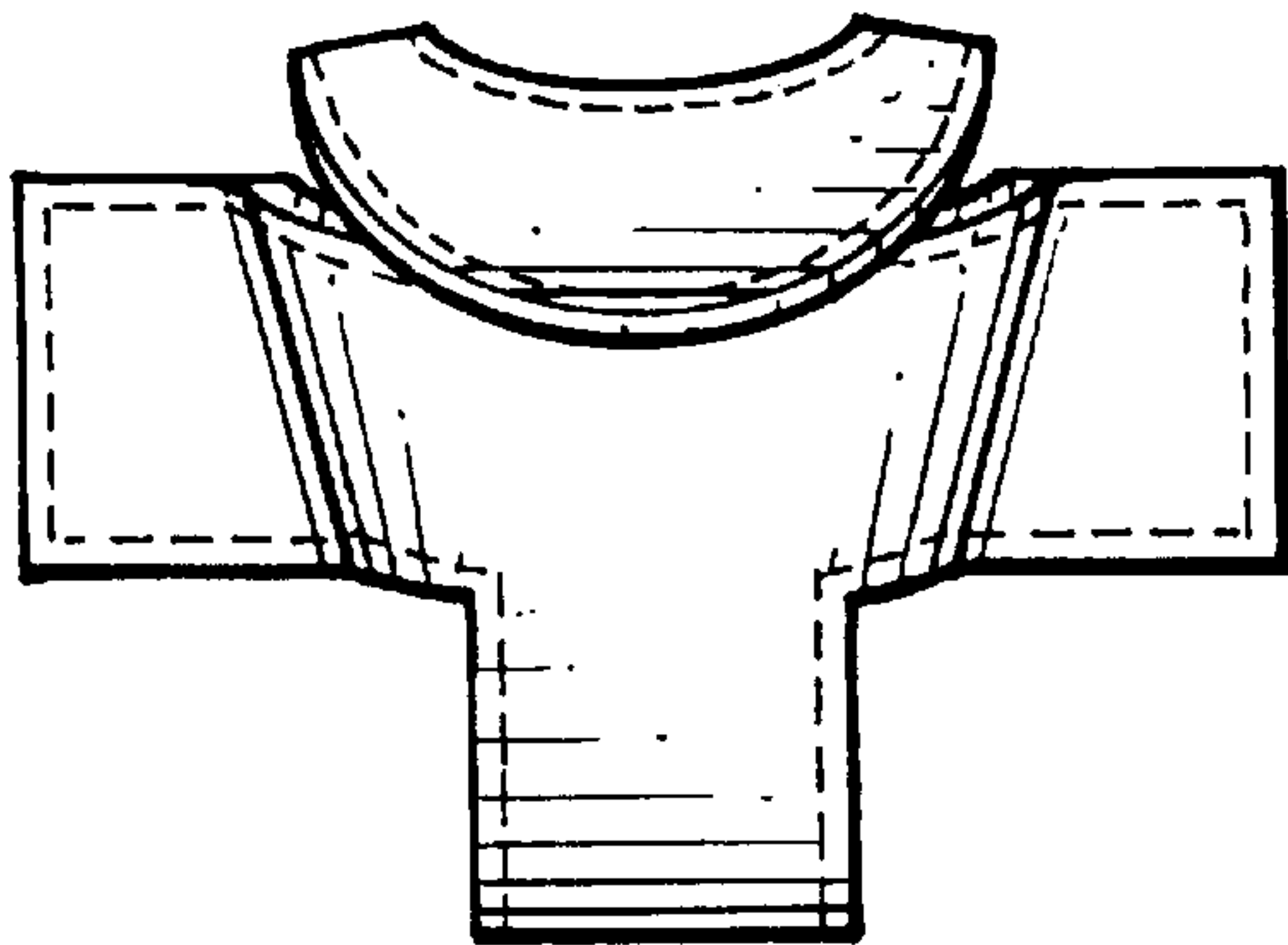
The broken lines shown in the drawings are for illustrative purposes only and form no part of the claimed design.

**1 Claim, 2 Drawing Sheets**

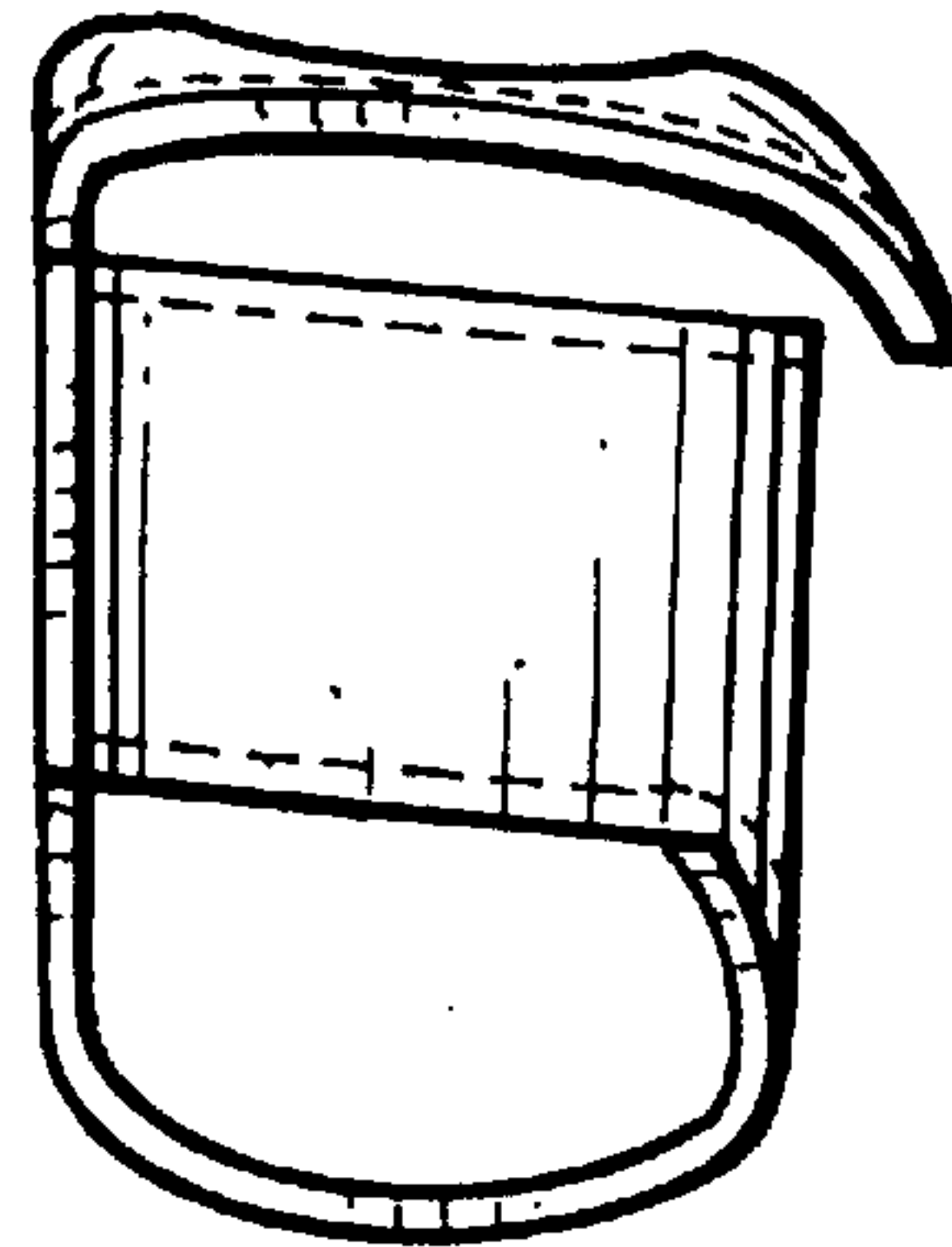




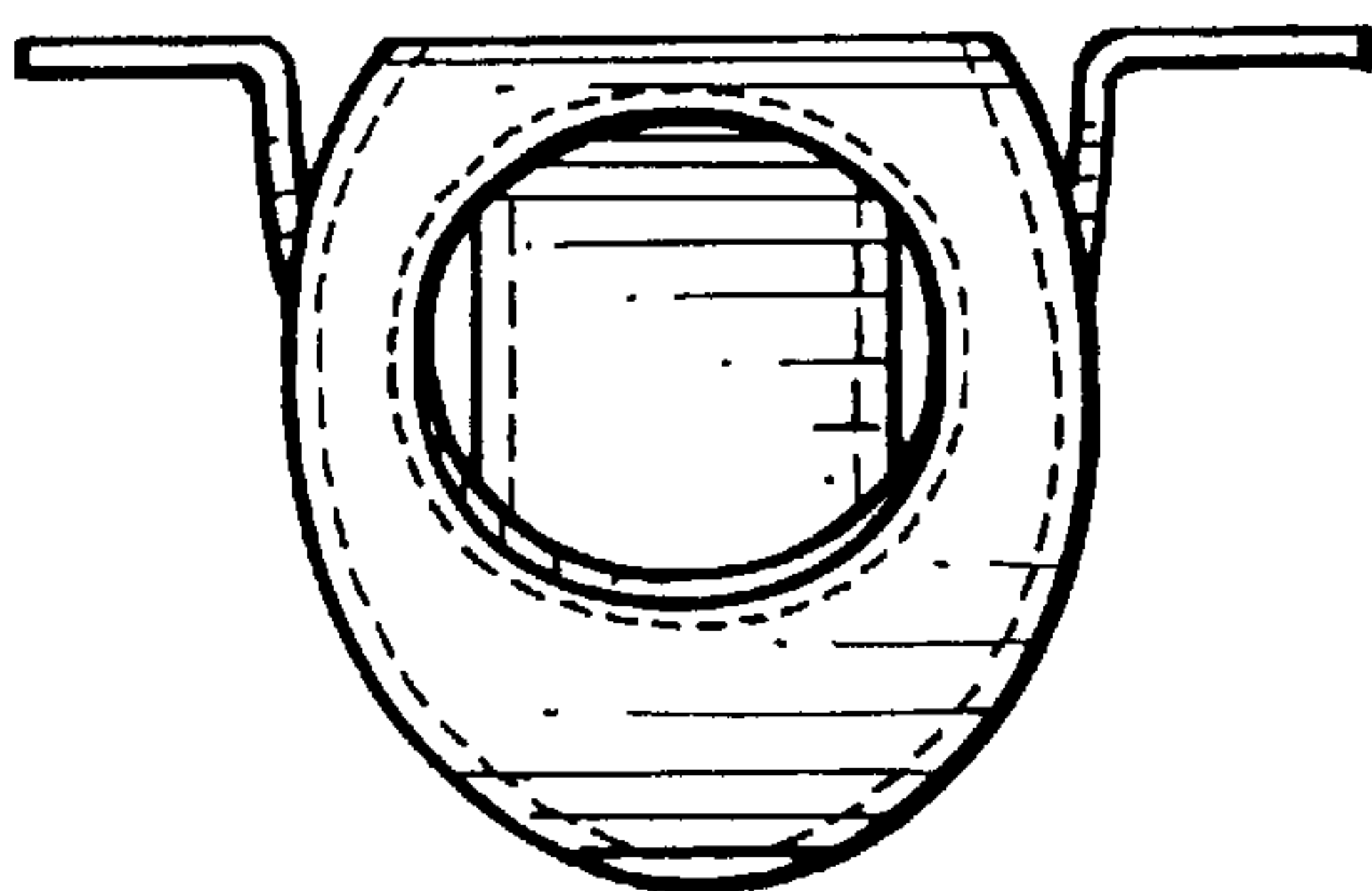
*Fig. 1.*



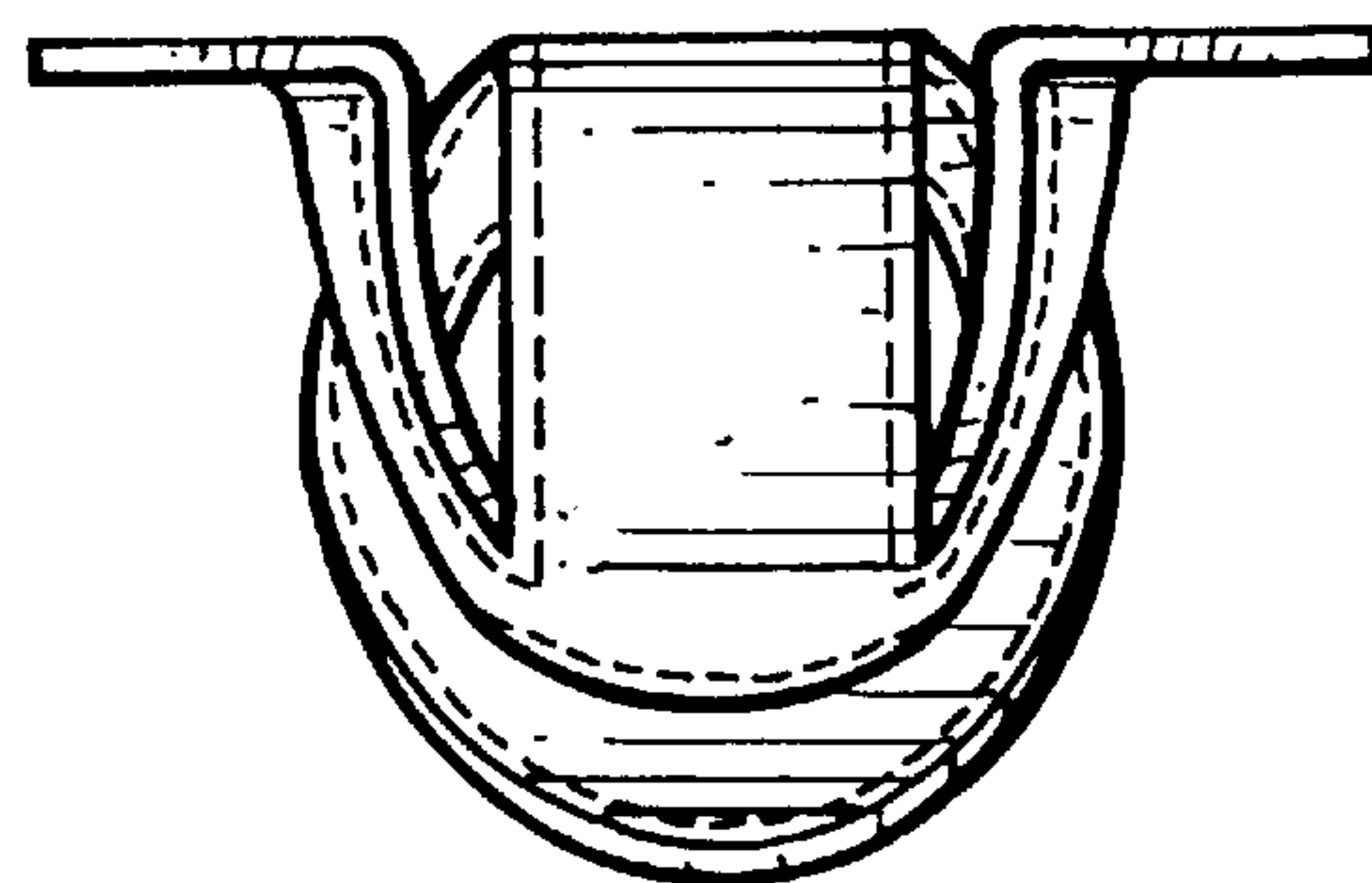
*Fig. 2.*



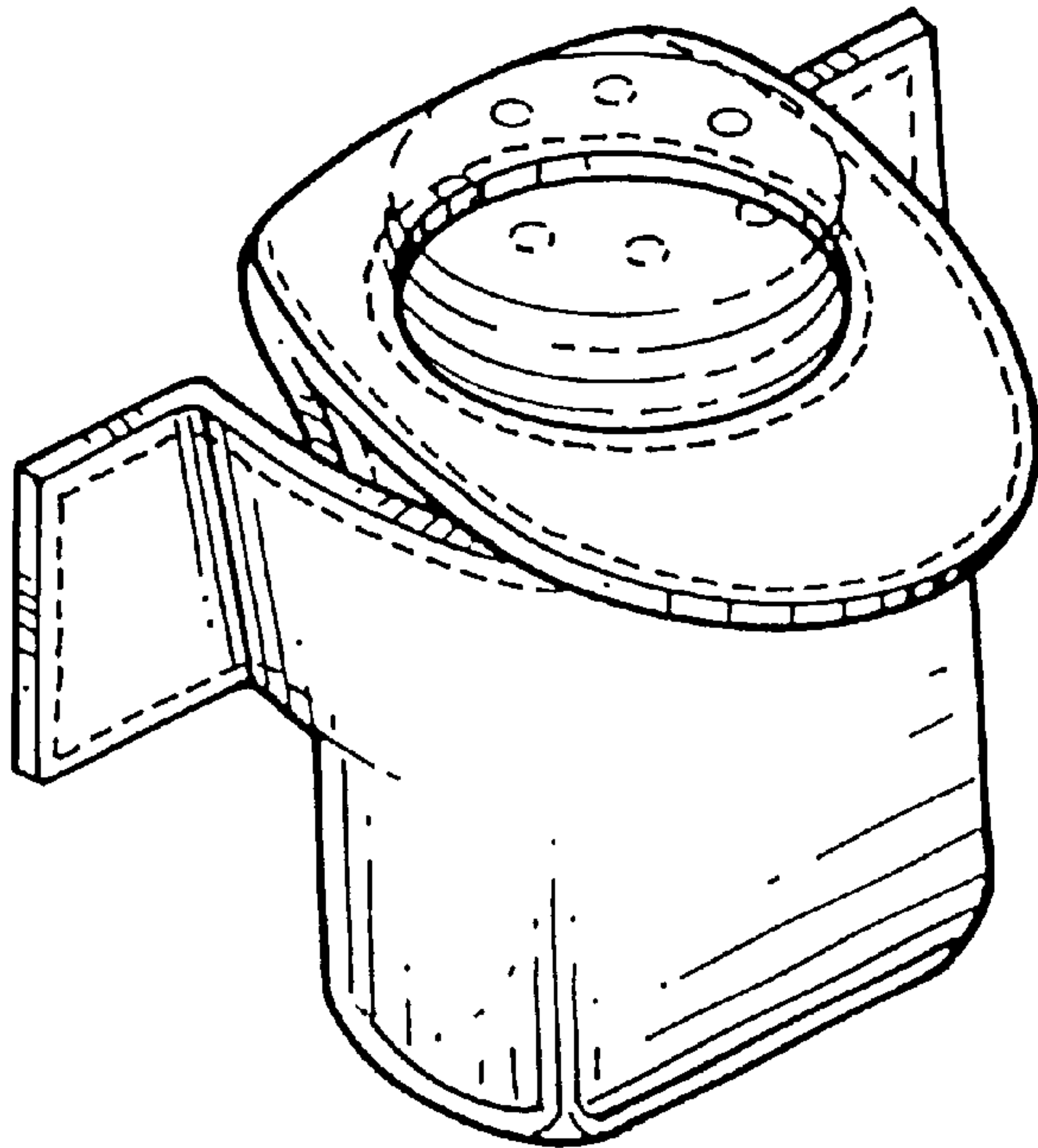
*Fig. 3.*



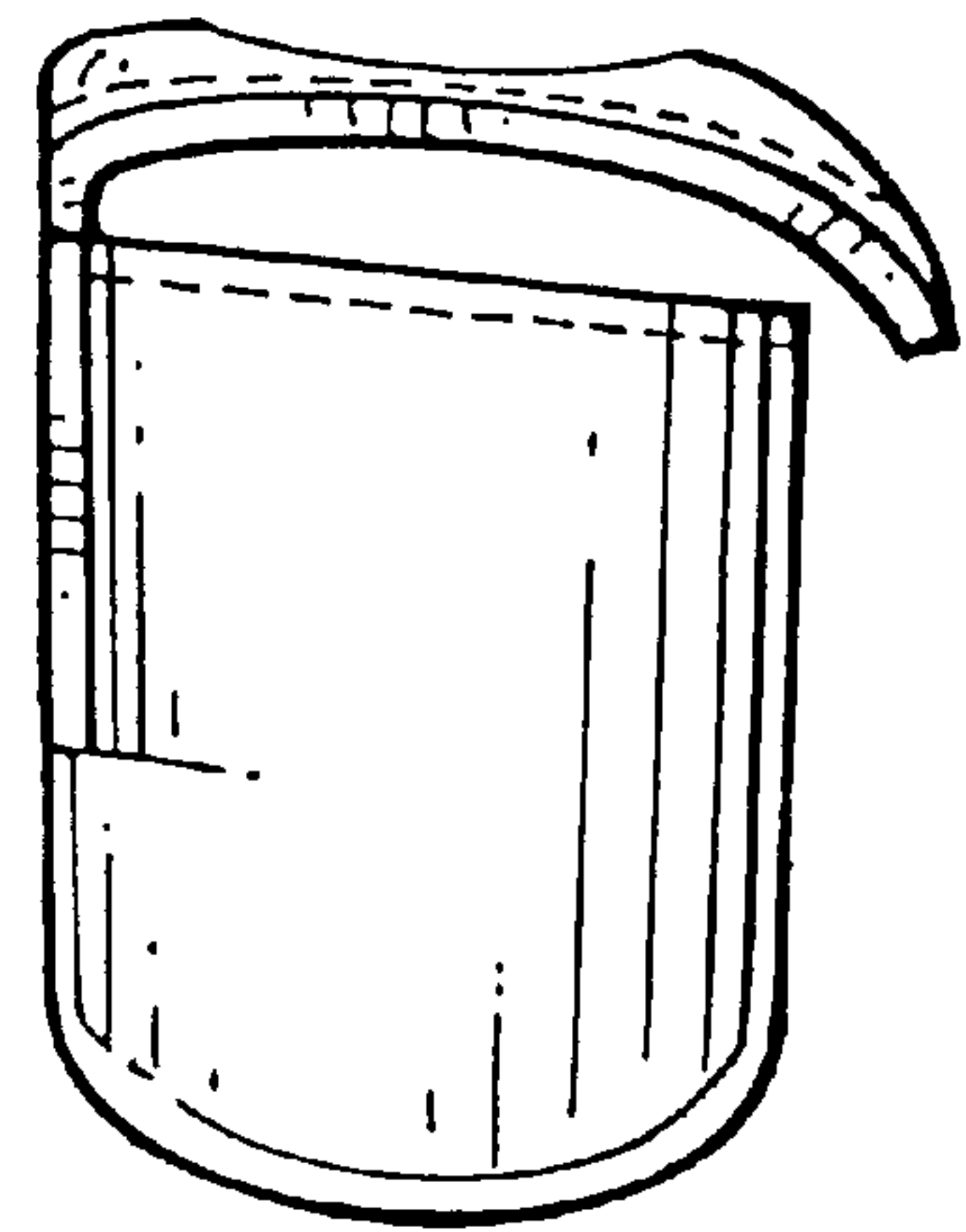
*Fig. 4.*



*Fig. 5.*



*Fig. 6.*



*Fig. 7.*