



US00D521734S

(12) **United States Design Patent**
Gibby et al.

(10) **Patent No.:** **US D521,734 S**

(45) **Date of Patent:** **** May 30, 2006**

(54) **ENCLOSURE**

(75) Inventors: **Garth R. Gibby**, Syracuse, NY (US);
Scott W. Oslecki, Skaneateles, NY
(US); **Peter F. Lynch**, Skaneateles, NY
(US)

(73) Assignee: **John D. Brush & Co., Inc.**, Rochester,
NY (US)

(**) Term: **14 Years**

(21) Appl. No.: **29/213,937**

(22) Filed: **Sep. 24, 2004**

(51) **LOC (8) Cl.** **03-99**

(52) **U.S. Cl.** **D3/318**

(58) **Field of Classification Search** D3/318-323,
D3/326, 328, 302, 201, 312, 314, 272-274,
D3/284, 286, 304, 281-282, 294; D9/420-425,
D9/430-432; 220/796-802, 805, 377, 354,
220/355, 361-362, 200, 4.22-4.24; D19/76;
D7/629, 601; 206/503-505, 515, 518, 520,
206/349, 372-373, 375; D8/338, 331; 209/581,
209/823

See application file for complete search history.

(56) **References Cited**

U.S. PATENT DOCUMENTS

4,615,464 A * 10/1986 Byrns 220/4.23
D289,262 S * 4/1987 Goetz et al. D9/420
5,353,946 A * 10/1994 Behrend 220/326
5,505,328 A * 4/1996 Stribiak 220/4.22
D395,952 S * 7/1998 Buczwinski et al. D9/734

D403,176 S * 12/1998 Harper D6/440
D419,297 S * 1/2000 Richardson et al. D3/273
D419,767 S * 2/2000 Richardson et al. D3/273
D419,768 S * 2/2000 Richardson et al. D3/273
D440,402 S * 4/2001 Tiramani et al. D3/282
D446,011 S * 8/2001 Ogilvie et al. D3/273
D462,519 S * 9/2002 Gaydos et al. D3/276
D463,125 S * 9/2002 Cheng D3/321
D467,076 S * 12/2002 Fajers et al. D3/273
D474,596 S * 5/2003 Osiecki et al. D3/273
D483,948 S * 12/2003 Parker D3/321
D485,069 S * 1/2004 Parker D3/318
D493,616 S * 8/2004 Hardy D3/281
D498,049 S * 11/2004 Perella et al. D3/273
D506,610 S * 6/2005 Mitani et al. D3/294
D509,656 S * 9/2005 Pangerc et al. D3/294

* cited by examiner

Primary Examiner—Sandra S. Snapp

(74) *Attorney, Agent, or Firm*—Jaeckle Fleischmann &
Mugel, LLP

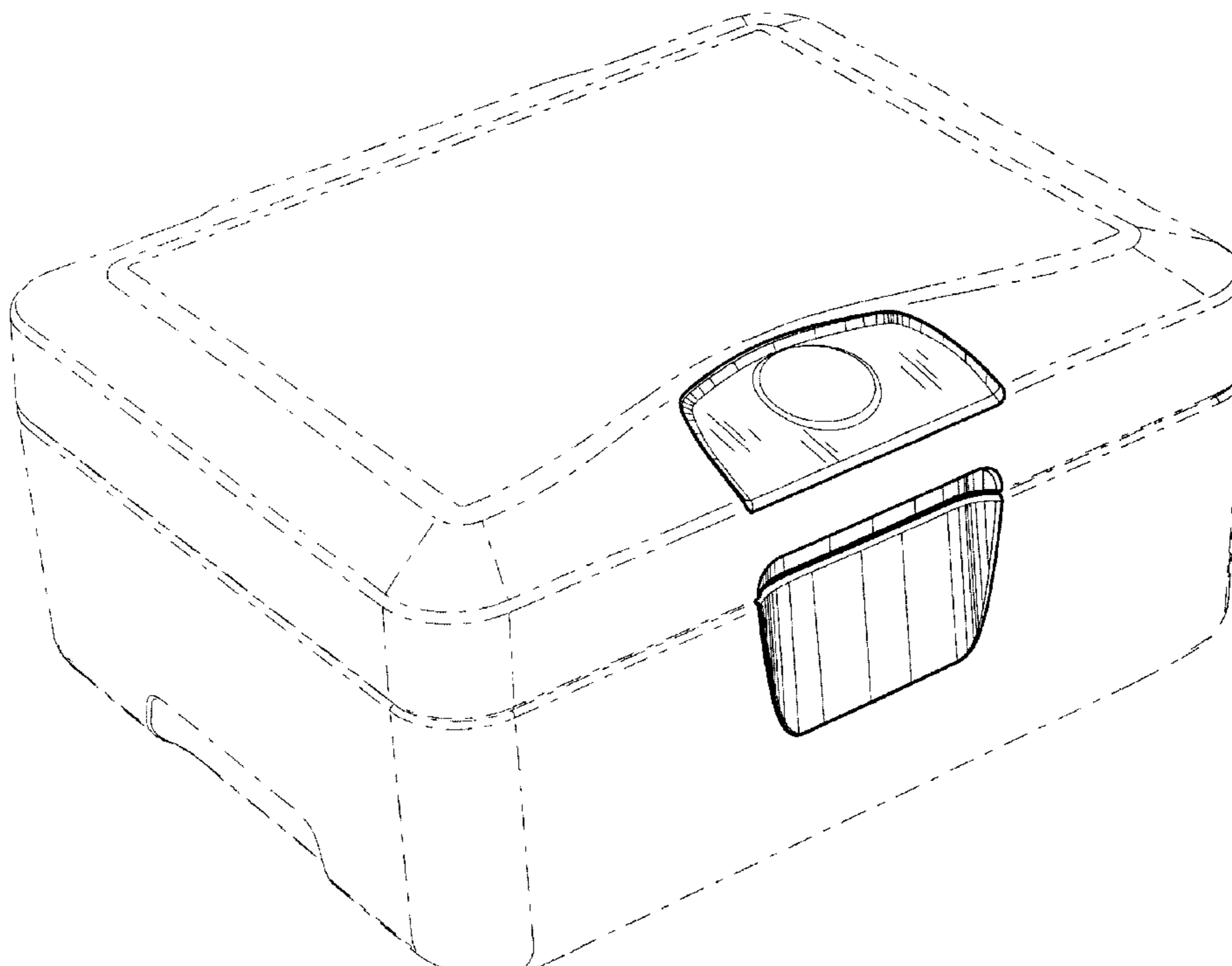
(57) **CLAIM**

The ornamental design for an enclosure, as shown and
described.

DESCRIPTION

FIG. 1 is a left front perspective view of an enclosure
according to the present invention;
FIG. 2 is a front view of the enclosure shown in FIG. 1; and,
FIG. 3 is a top view of the enclosure shown in FIG. 1.
The broken lines showing other portions of the enclosure in
FIGS. 1-3 are for illustrative purposes and form no part of
the claimed design.

1 Claim, 3 Drawing Sheets



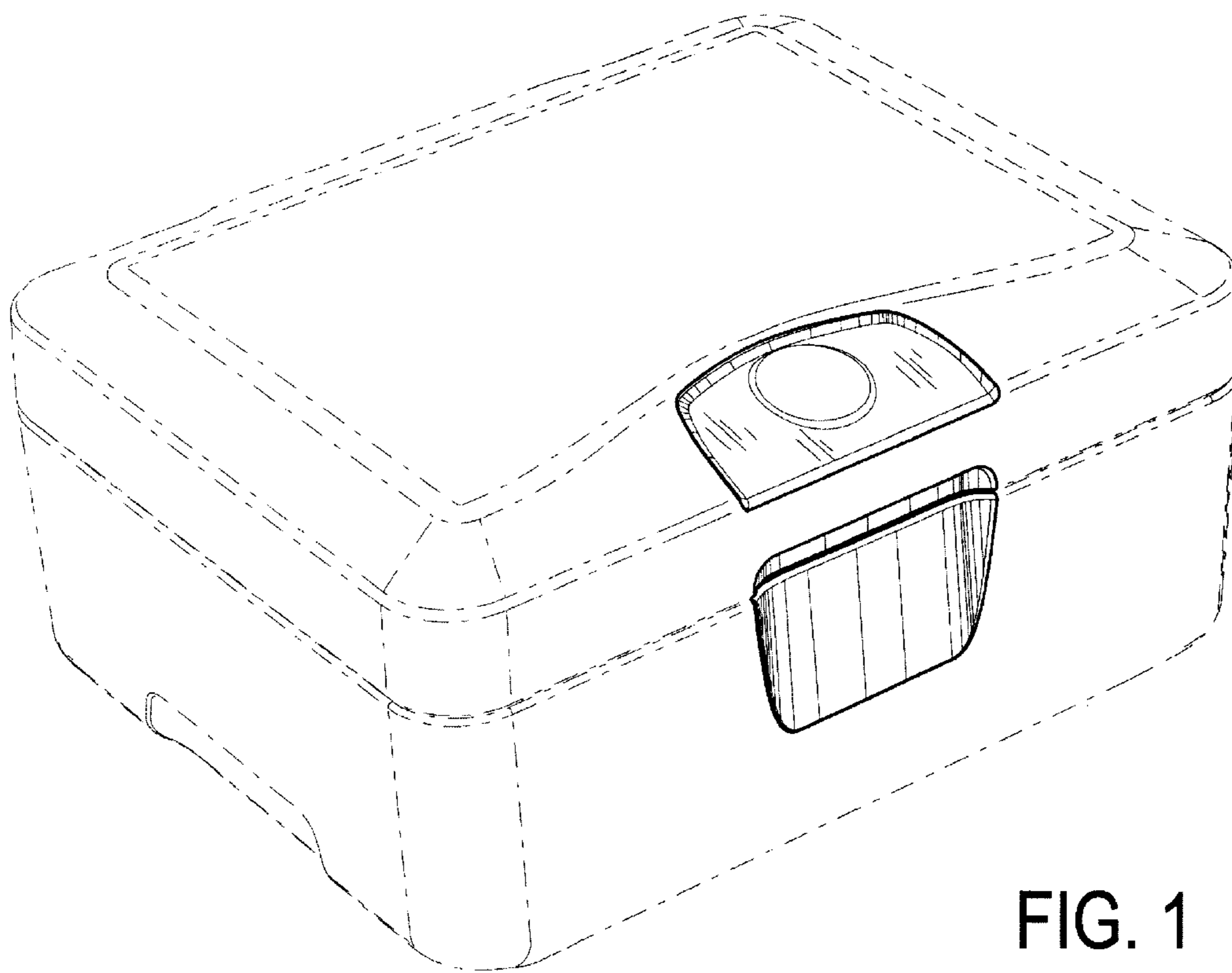


FIG. 1

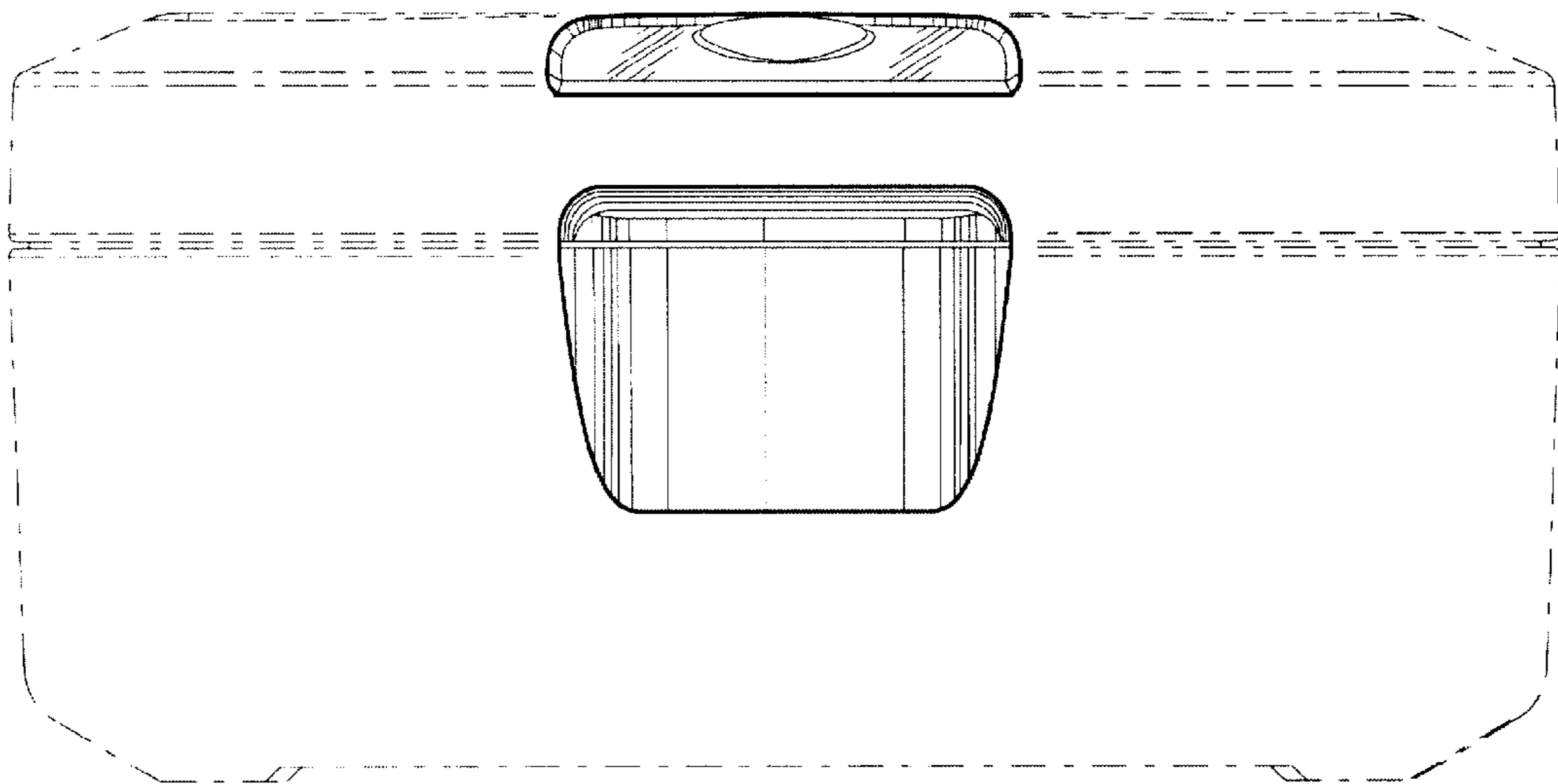


FIG. 2

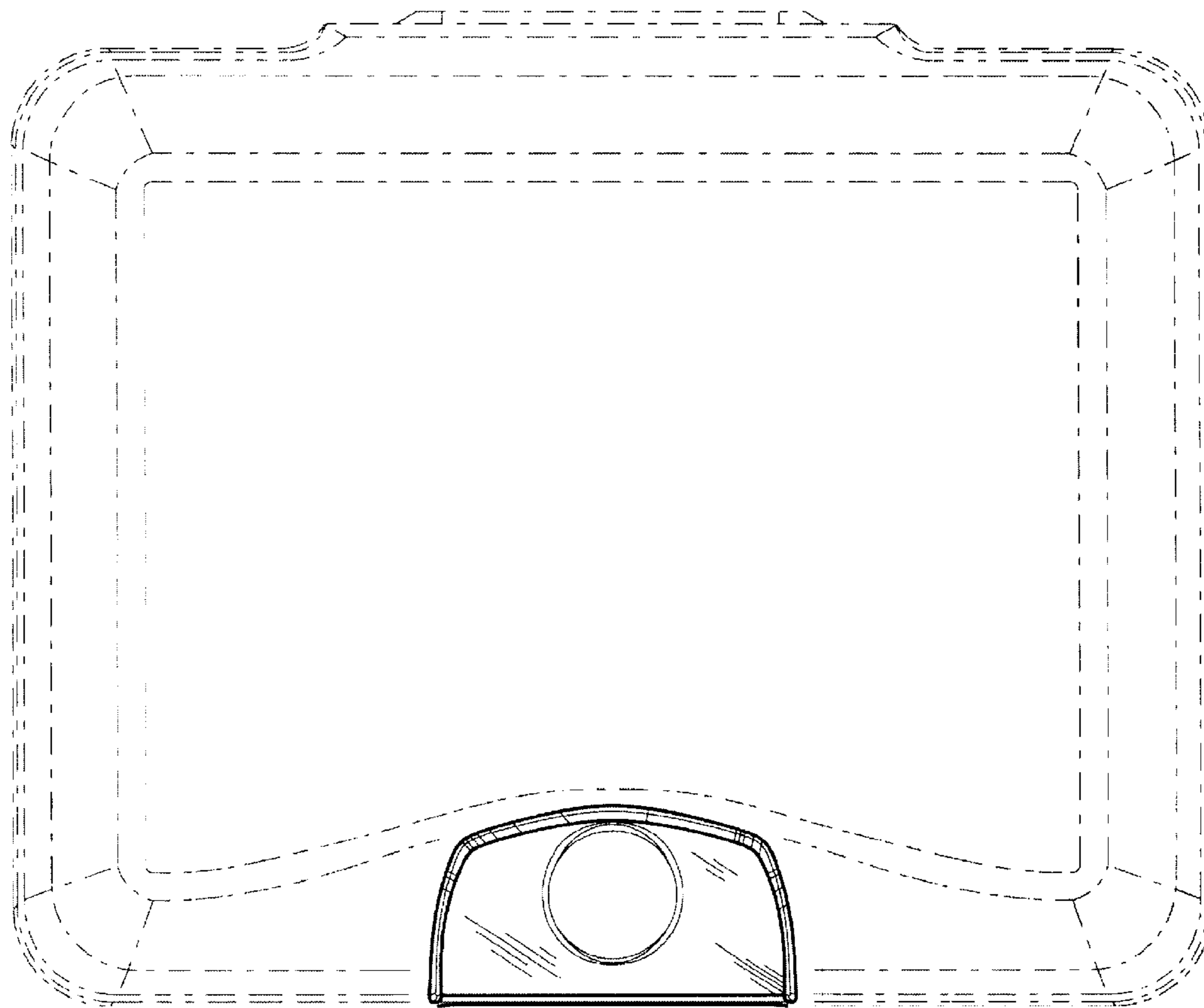


FIG. 3