



US00D521730S

(12) **United States Design Patent**
Lang

(10) **Patent No.:** **US D521,730 S**

(45) **Date of Patent:** **** May 30, 2006**

(54) **SIDE-OPENING CASE**

(75) Inventor: **Hau Yung Lang**, Rowland Hts., CA (US)

(73) Assignee: **Tung Hsin Trading Corp.**, City of Industry, CA (US)

(**) Term: **14 Years**

(21) Appl. No.: **29/218,548**

(22) Filed: **Dec. 3, 2004**

(51) **LOC (8) Cl.** **03-01**

(52) **U.S. Cl.** **D3/273; D3/294**

(58) **Field of Classification Search** D3/272–273,
D3/276, 279, 294, 902; 190/13 R, 18 A,
190/19, 24–25, 37

See application file for complete search history.

(56) **References Cited**

U.S. PATENT DOCUMENTS

866,459	A	*	9/1907	Gray	190/111
D78,698	S	*	6/1929	Sand et al.	D3/272
RE18,670	E	*	11/1932	Wheary	190/13 R
2,385,910	A	*	10/1945	Bracken	190/13 R
5,090,526	A	*	2/1992	Jacober	190/107
RE34,361	E	*	8/1993	Pratt	206/579
D500,922	S	*	1/2005	Perella et al.	D3/273
D501,083	S	*	1/2005	Perella et al.	D3/276

OTHER PUBLICATIONS

2 Flight Cases at http://www.markstein.de/dw/Cases_Rack-s.htm —8 Oct. 2003 (website available through <http://web.archive.org>).*

Flight Case with Trolley at http://www.markstein.de/dw/Cases_Racks.htm —8 Oct. 2003 (website available through <http://web.archive.org>).*

* cited by examiner

Primary Examiner—Philip S. Hyder

Assistant Examiner—RoseLynne Ulm

(74) *Attorney, Agent, or Firm*—Michael R. Gilman, Esq.; Kaplan Gilman Gibson & Dernier LLP

(57) **CLAIM**

The ornamental design for a side-opening case, as shown and described.

DESCRIPTION

FIG. 1 is a perspective view of the side-opening case of the present invention, the portions shown in dashed lines forming no part of the invention;

FIG. 2 is a front elevational view of the side-opening case of FIG. 1, the portions shown in dashed lines forming no part of the invention;

FIG. 3 is a rear elevational view of the side-opening case of FIG. 1, the portions shown in dashed lines forming no part of the invention;

FIG. 4 is a right side elevational view of the side-opening case of FIG. 1, the portions shown in dashed lines forming no part of the invention;

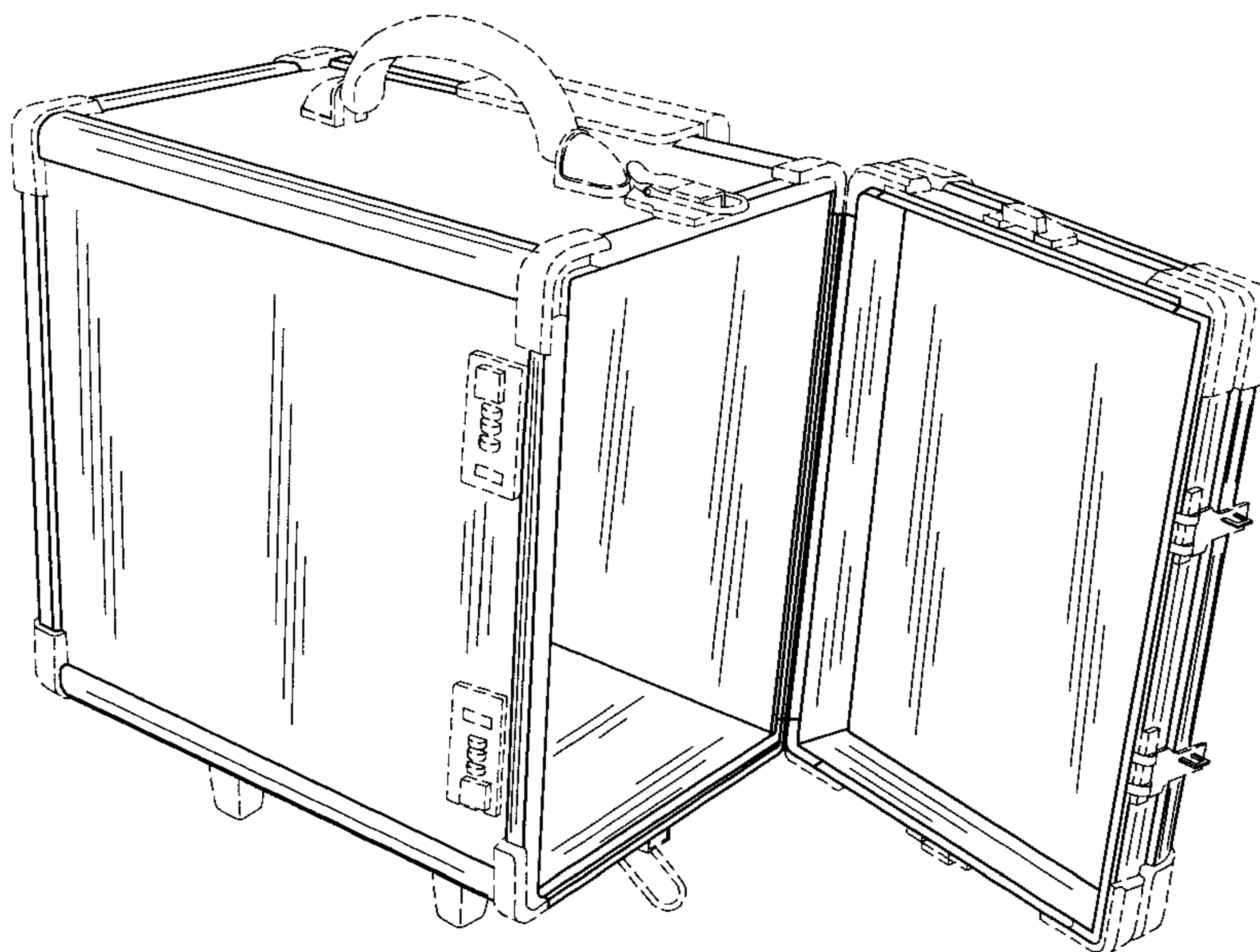
FIG. 5 is a left side elevational view of the side-opening case of FIG. 1, the portions shown in dashed lines forming no part of the invention;

FIG. 6 is a top plan view of the side-opening case of FIG. 1, the portions shown in dashed lines forming no part of the invention;

FIG. 7 is a bottom plan view of the side-opening case of FIG. 1, the portions shown in dashed lines forming no part of the invention; and,

FIG. 8 is a perspective view of the side-opening case of FIG. 1 in the open position, the portions shown in dashed lines forming no part of the invention.

1 Claim, 7 Drawing Sheets



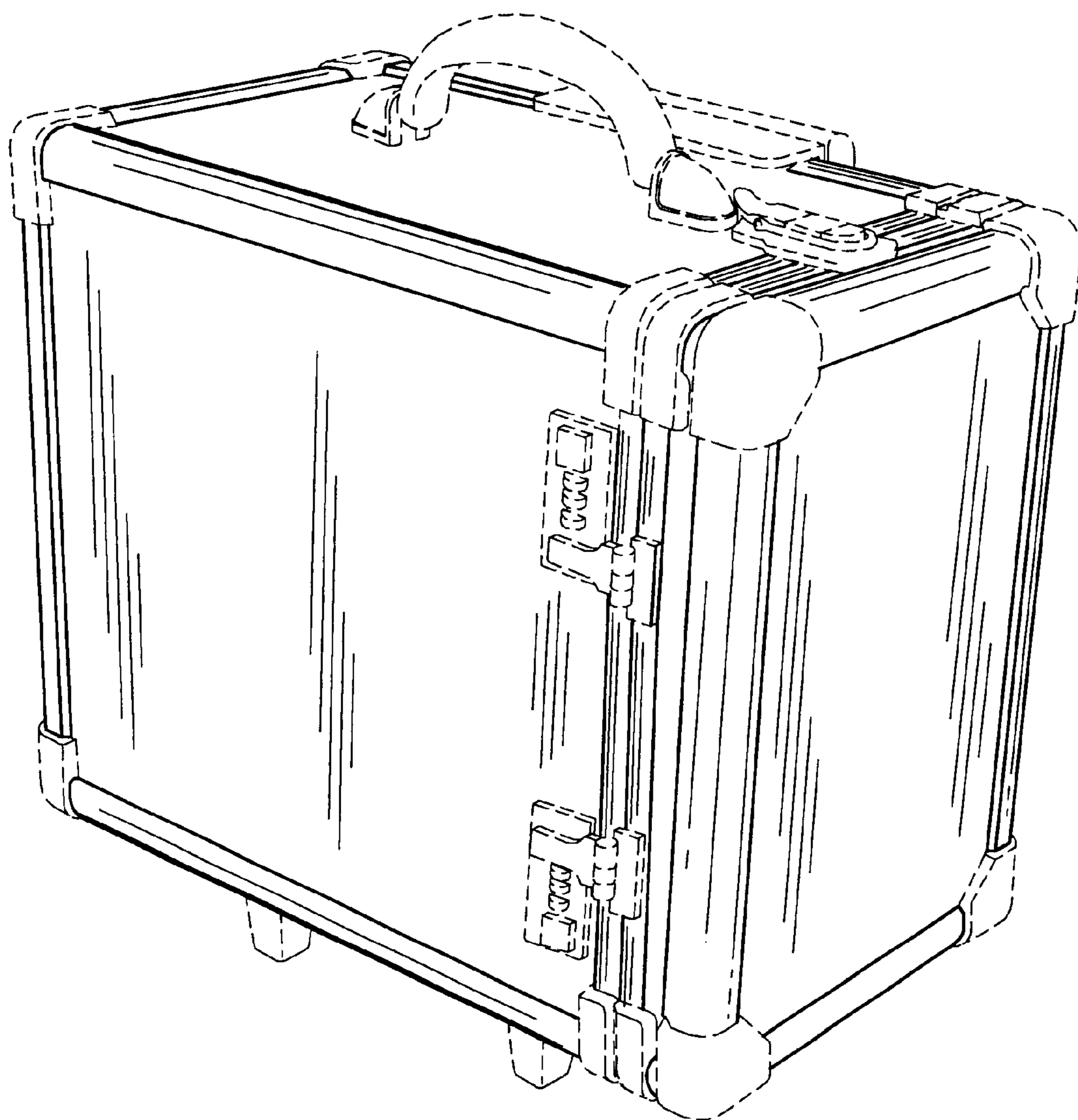


FIG. 1

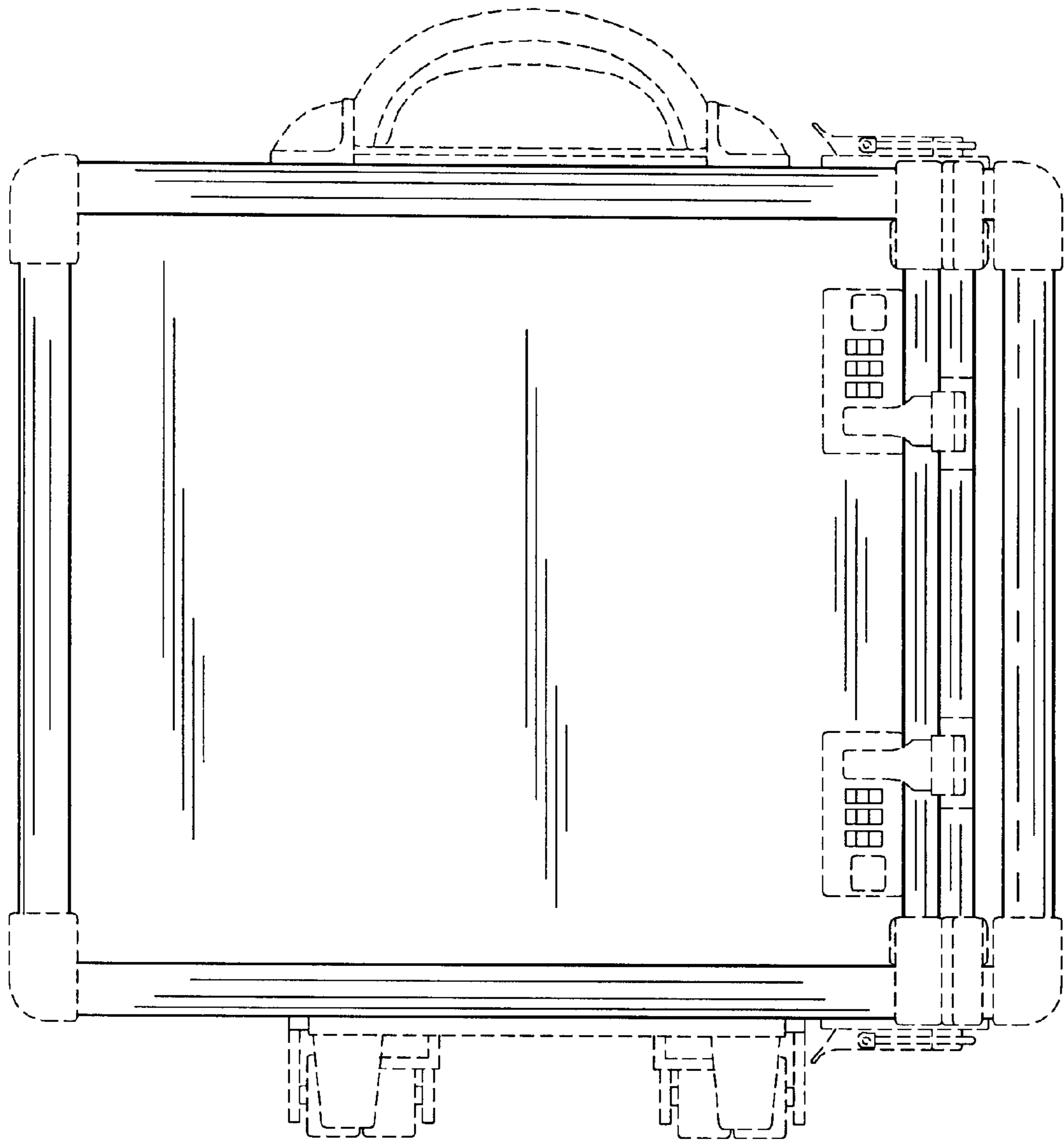


FIG. 2

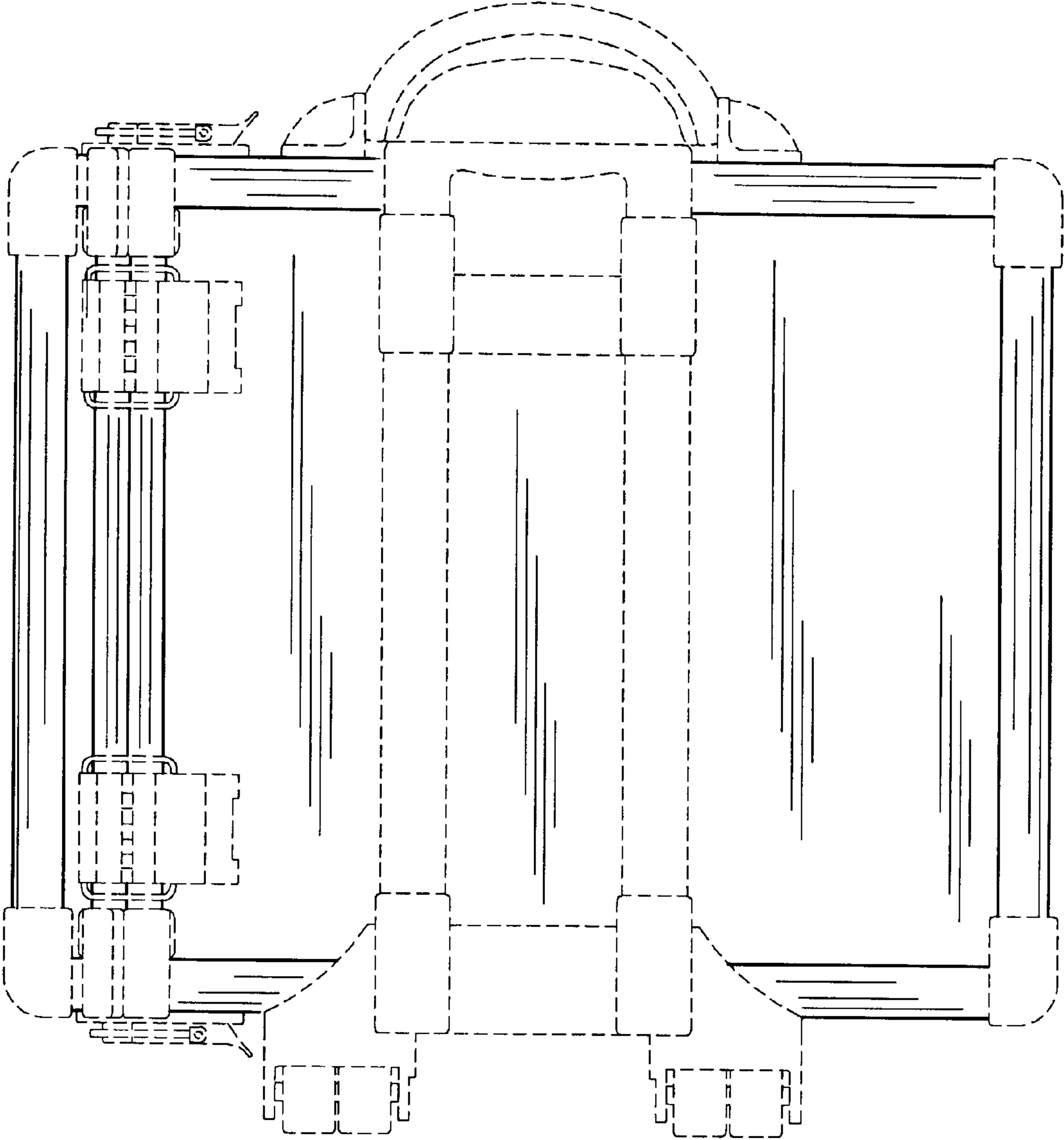


FIG. 3

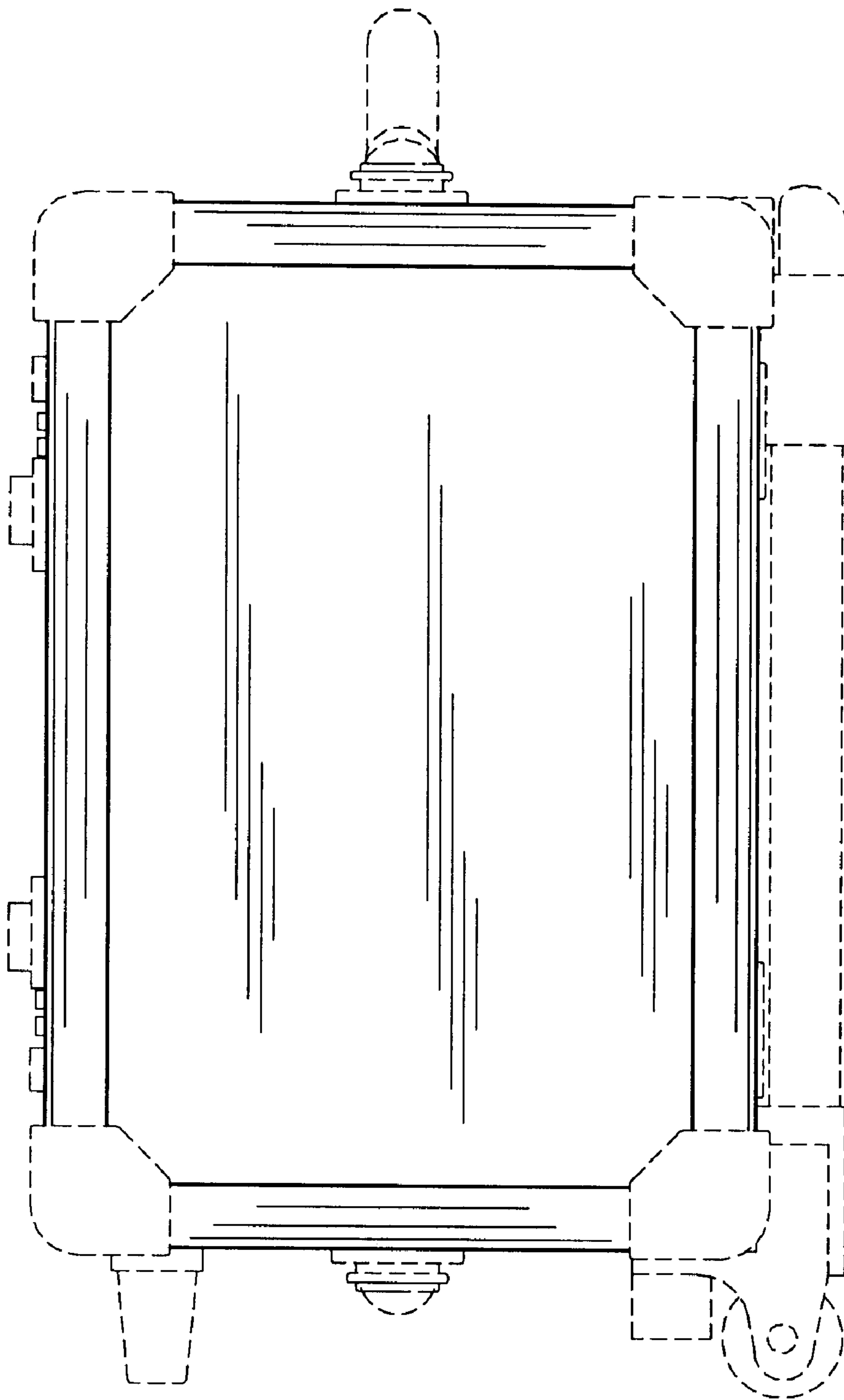


FIG. 4

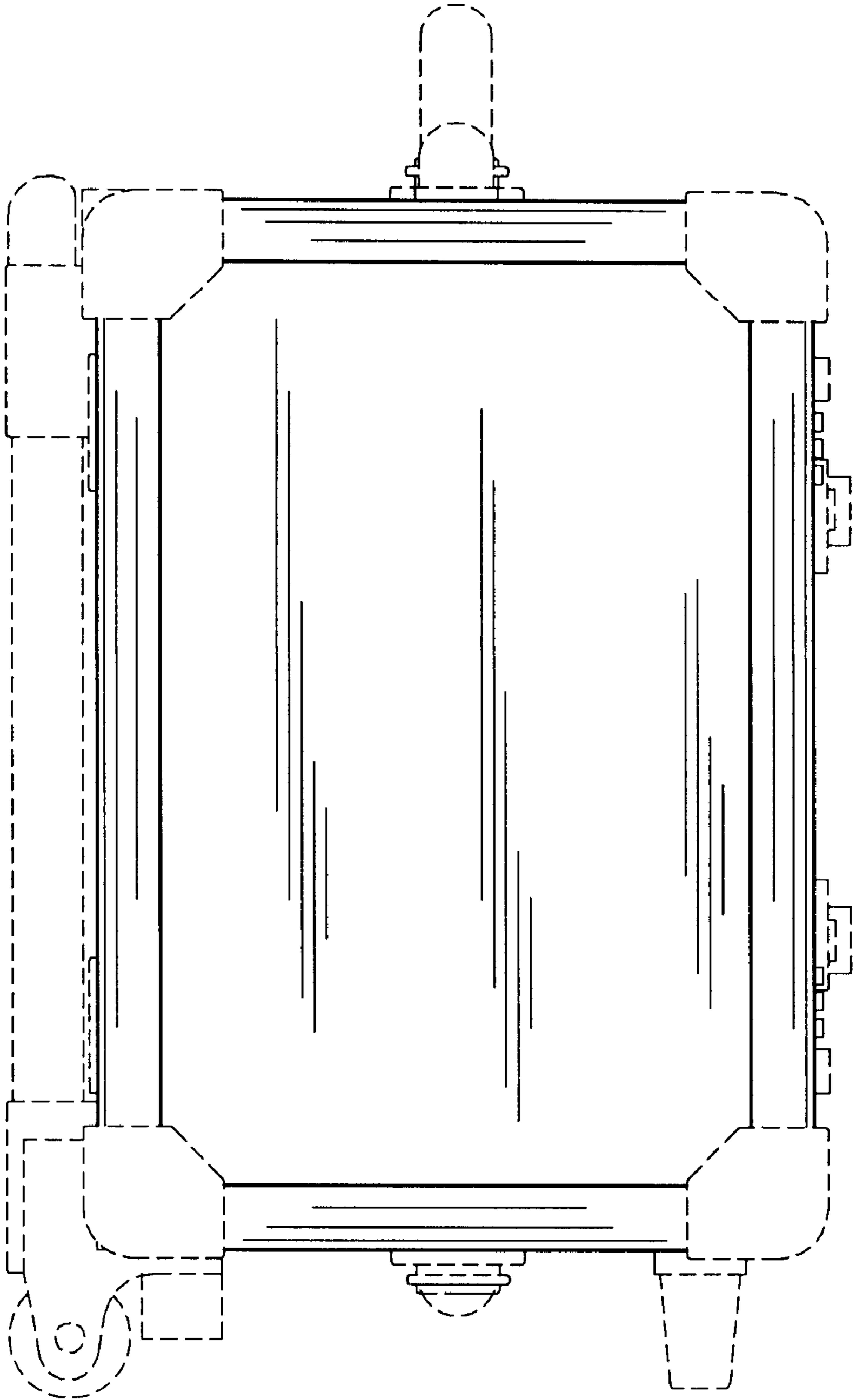


FIG. 5

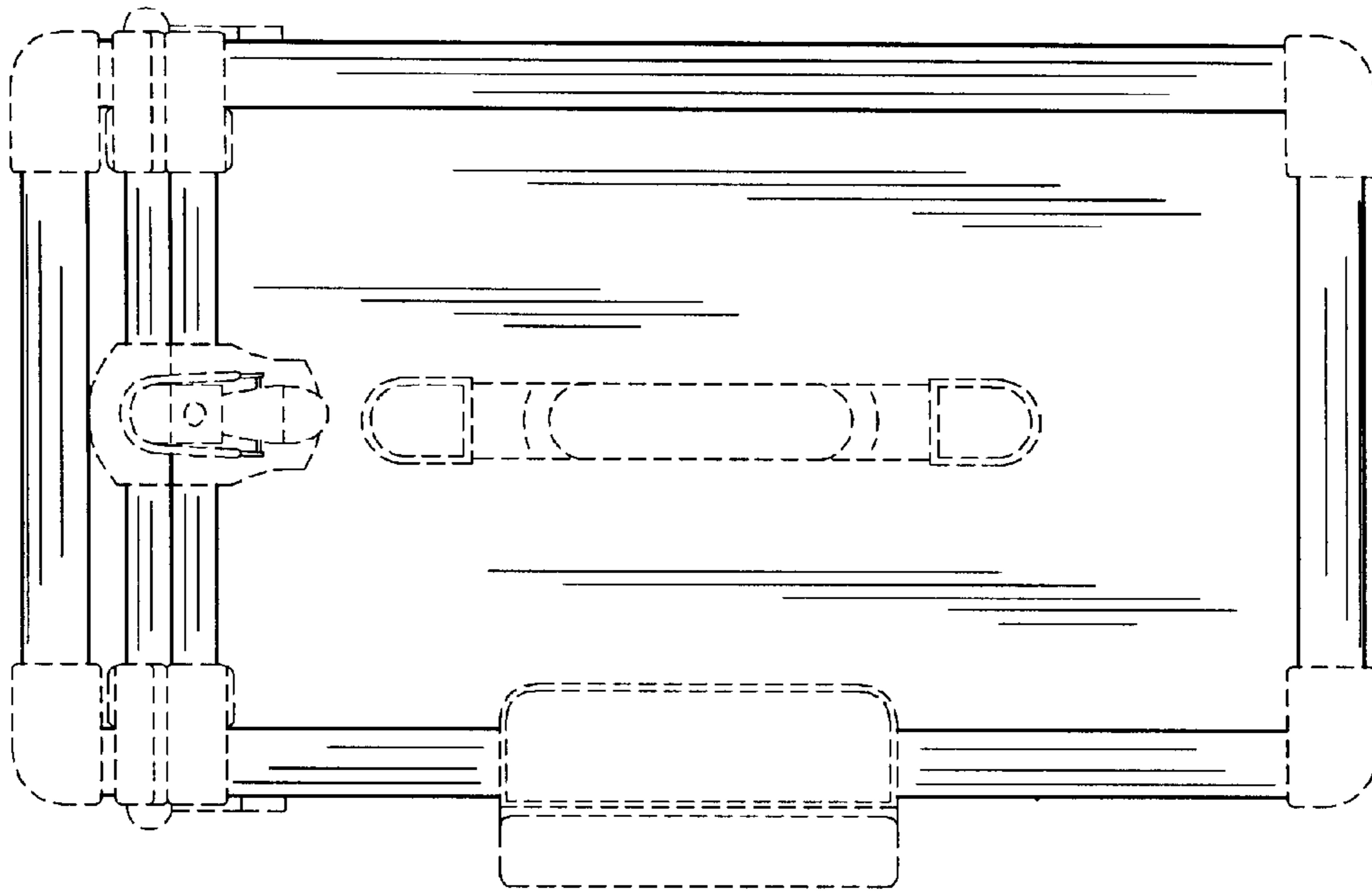


FIG. 6

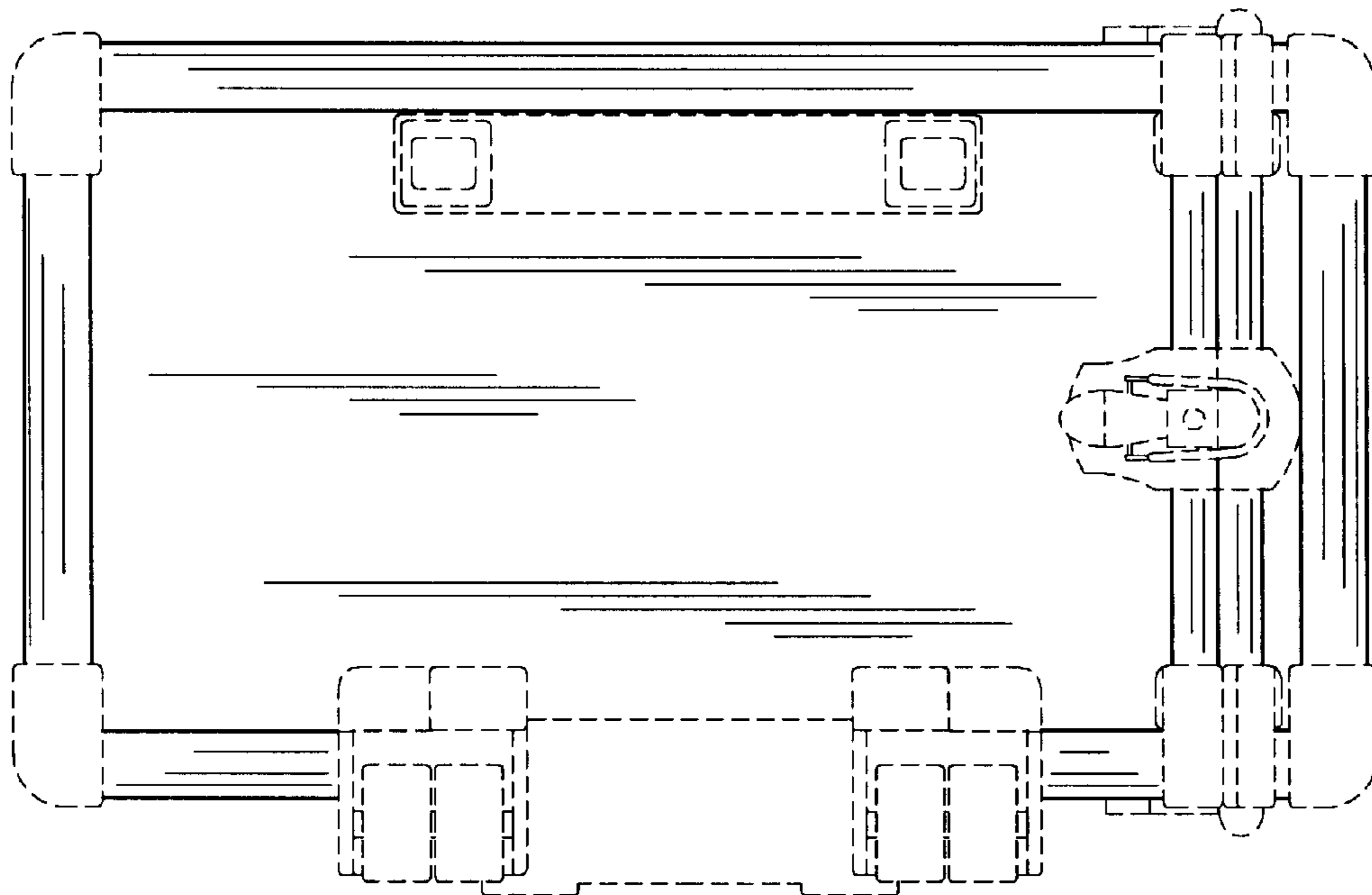


FIG. 7

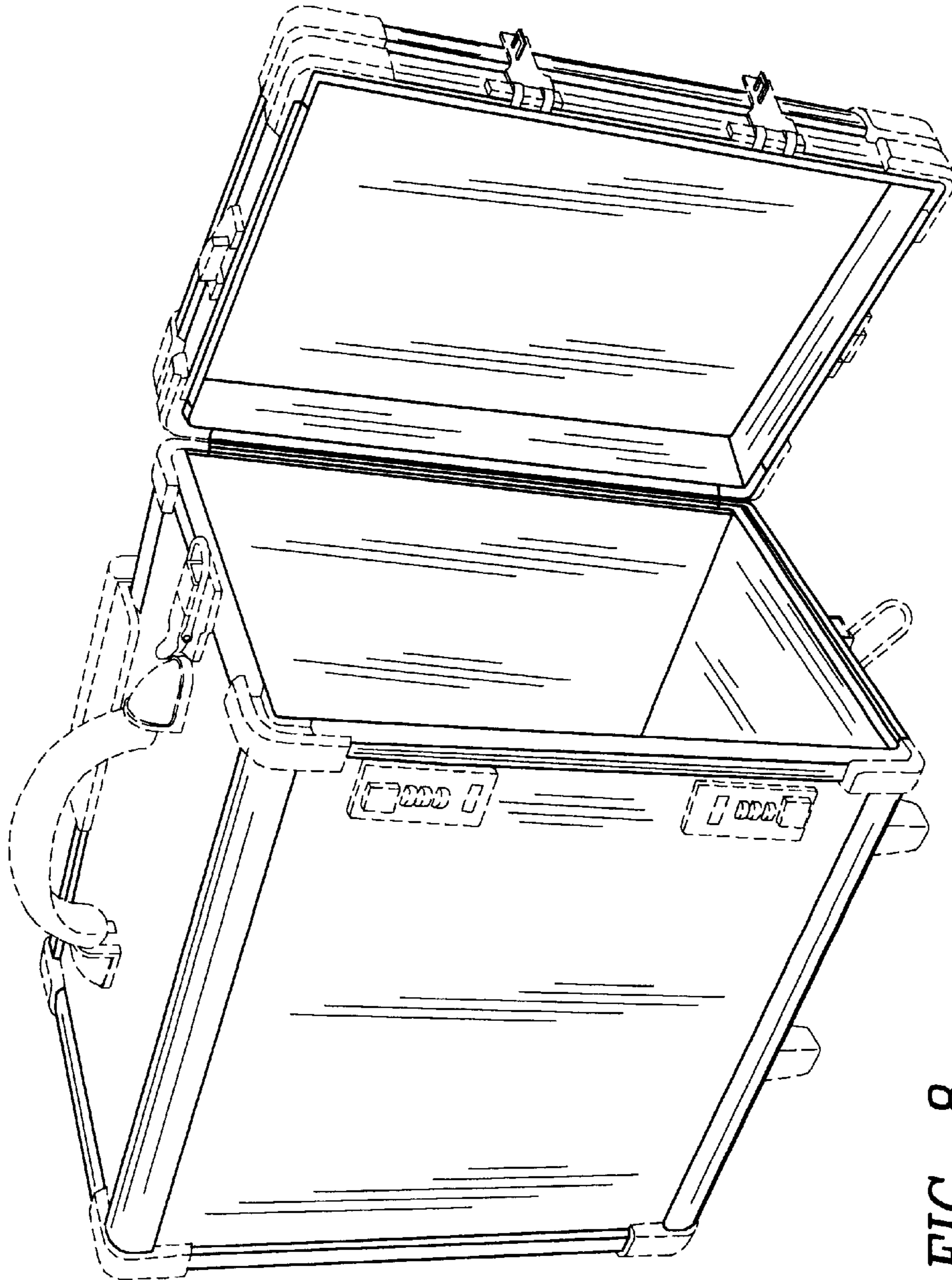


FIG. 8