

US00D521727S

(12) **United States Design Patent**
Albini

(10) **Patent No.:** **US D521,727 S**

(45) **Date of Patent:** **** May 30, 2006**

(54) **HANDBAG**

(76) **Inventor:** **Sharyn McNair Albini**, 155 Weeping Willow Dr., Myrtle Beach, SC (US) 29579

(**) **Term:** **14 Years**

(21) **Appl. No.:** **29/234,587**

(22) **Filed:** **Jul. 20, 2005**

(51) **LOC (8) Cl.** **03-01**

(52) **U.S. Cl.** **D3/238; D3/241; D3/245**

(58) **Field of Classification Search** D3/226, D3/215, 224, 271, 257, 232-246; 224/240, 224/676, 664, 667, 669, 677; 383/111, 113, 383/907; 150/100, 107, 108, 110
See application file for complete search history.

(56) **References Cited**

U.S. PATENT DOCUMENTS

D139,371 S	*	11/1944	Rubin	D3/233
3,628,583 A	*	12/1971	Poelman	150/110
D226,147 S	*	1/1973	Sosa	D3/238
D226,344 S	*	2/1973	Loomis	D3/238
D230,102 S	*	1/1974	Reneau	D3/238
D230,216 S	*	1/1974	Tibbs	D3/238
D230,217 S	*	1/1974	Tibbs	D3/238
D231,586 S	*	5/1974	Lazo de la Vega	D3/238
D232,130 S	*	7/1974	Burkett	D3/238
D246,873 S	*	1/1978	Kling	D3/238

D251,284 S	*	3/1979	Weaver	D7/710
D335,956 S	*	6/1993	Lucas	D3/238
D341,295 S	*	11/1993	Thorpe	D3/238
D365,443 S	*	12/1995	Wu	D3/238
D386,901 S	*	12/1997	Goldban	D3/246
D394,348 S	*	5/1998	Aliff	D3/238
D482,523 S	*	11/2003	Friou	D3/238
D505,594 S	*	5/2005	Minor et al.	D3/271.9

* cited by examiner

Primary Examiner—Marcus A. Jackson

Assistant Examiner—Melanie Levy

(74) *Attorney, Agent, or Firm*—Michael A. Mann; Nexsen Pruet, LLC

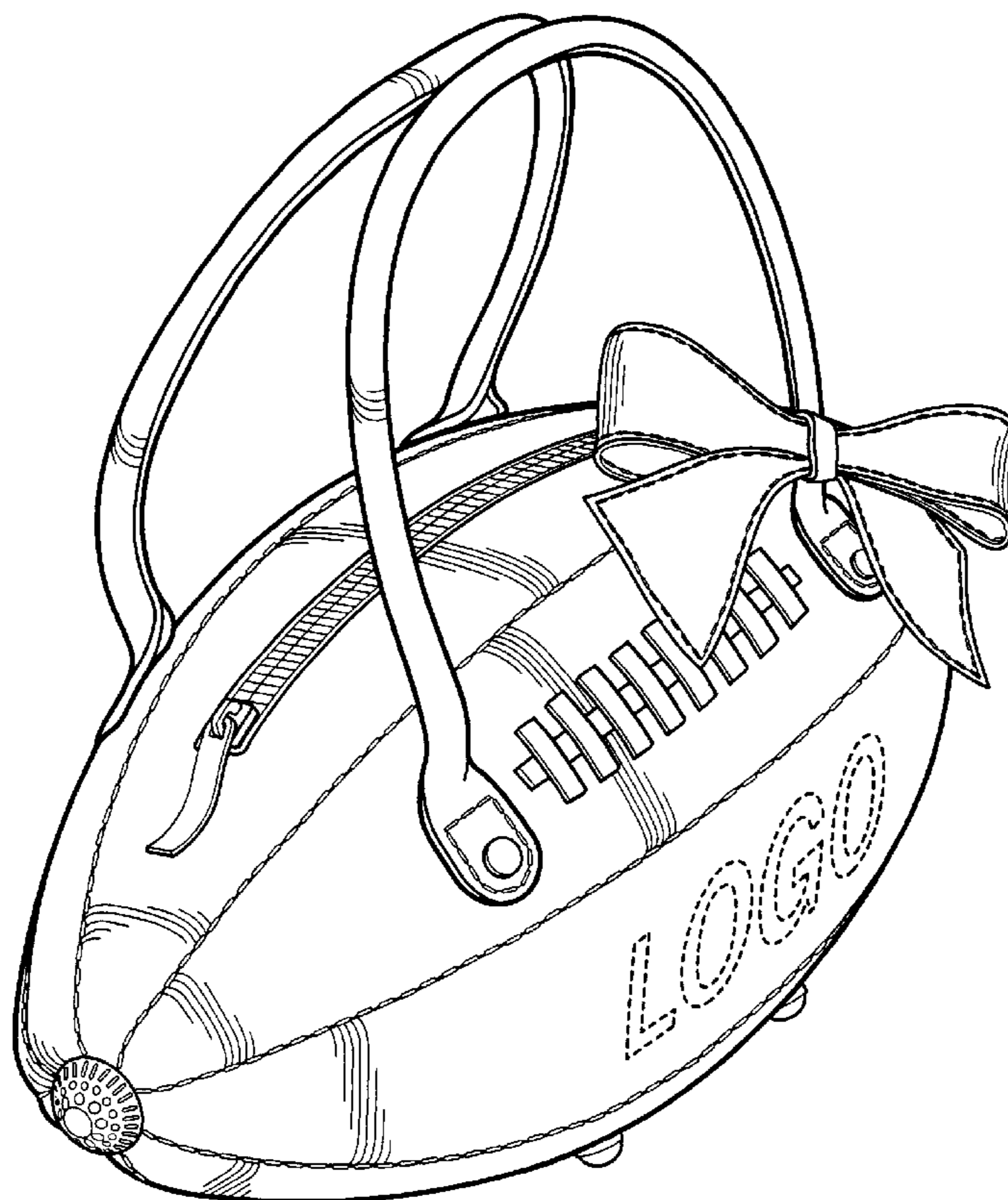
(57) **CLAIM**

I claim the ornamental design for a handbag, as shown and described.

DESCRIPTION

FIG. 1 is a front perspective view thereof;
FIG. 2 is a right elevation view thereof;
FIG. 3 is a top view thereof;
FIG. 4 is a left elevation view thereof;
FIG. 5 is bottom view thereof;
FIG. 6 is a front elevation view thereof; and,
FIG. 7 is a rear elevation view thereof.
The broken lines are for illustrative purposes only and form no part of the claimed design.

1 Claim, 4 Drawing Sheets



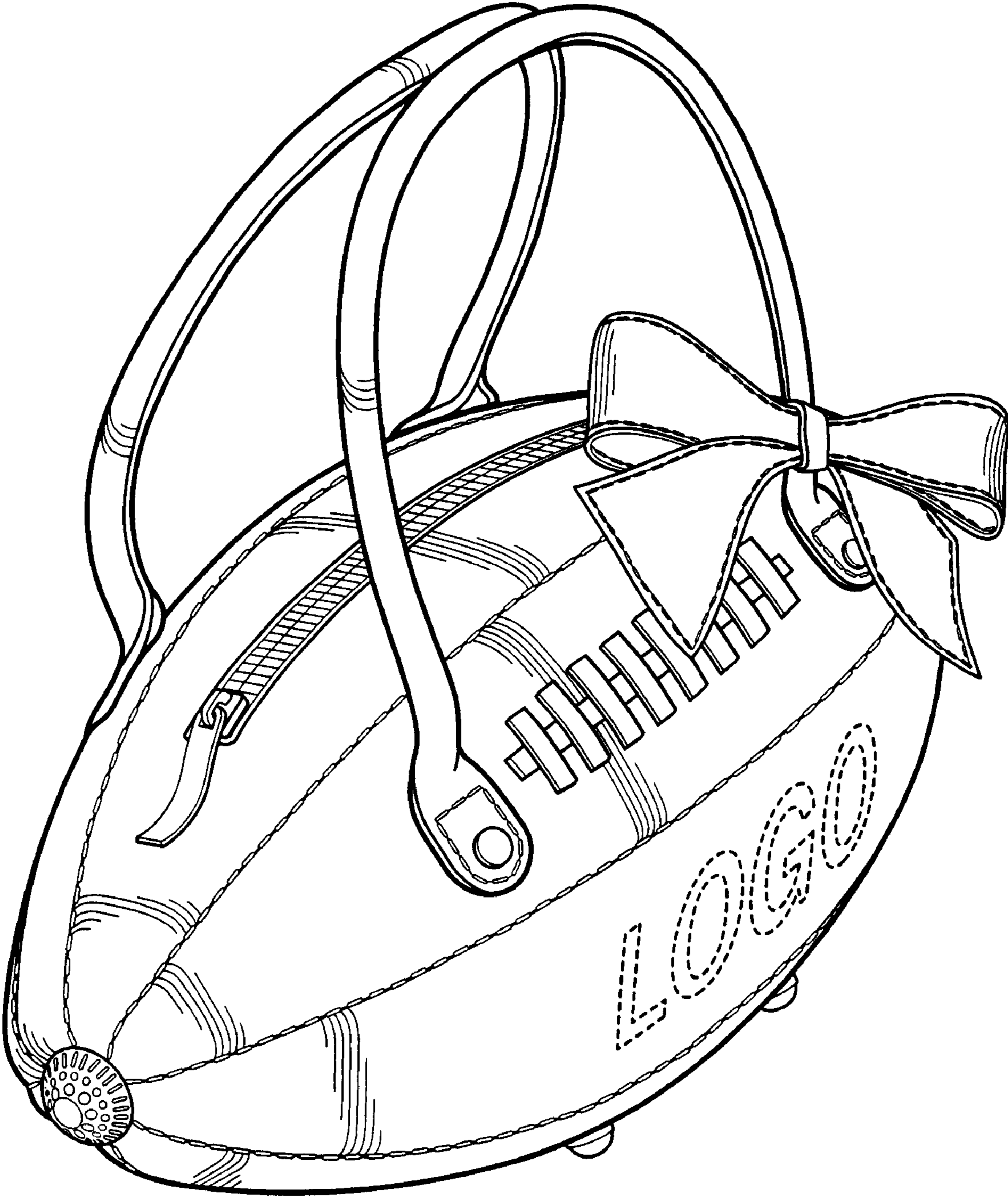


FIG. 1

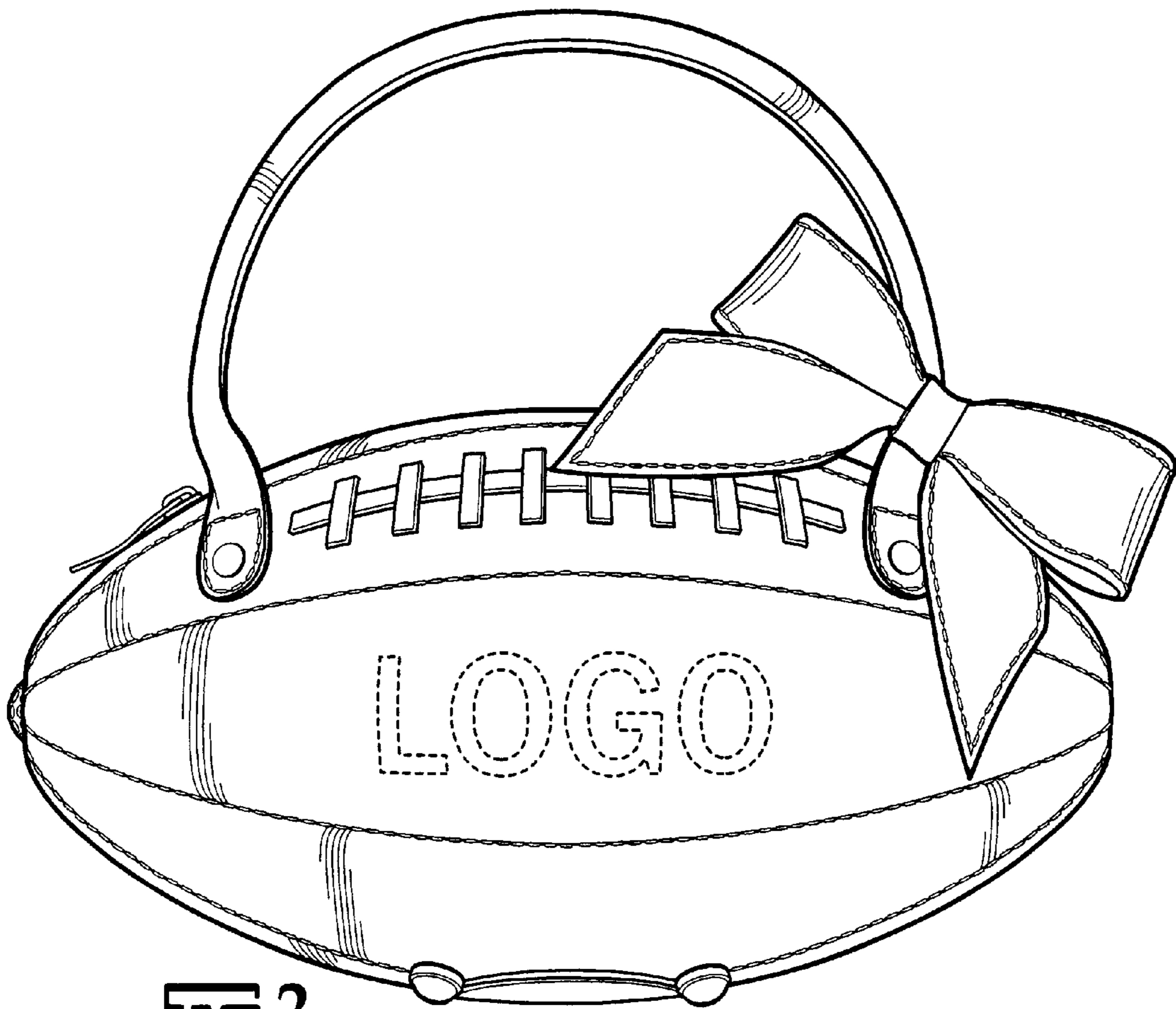


FIG. 2

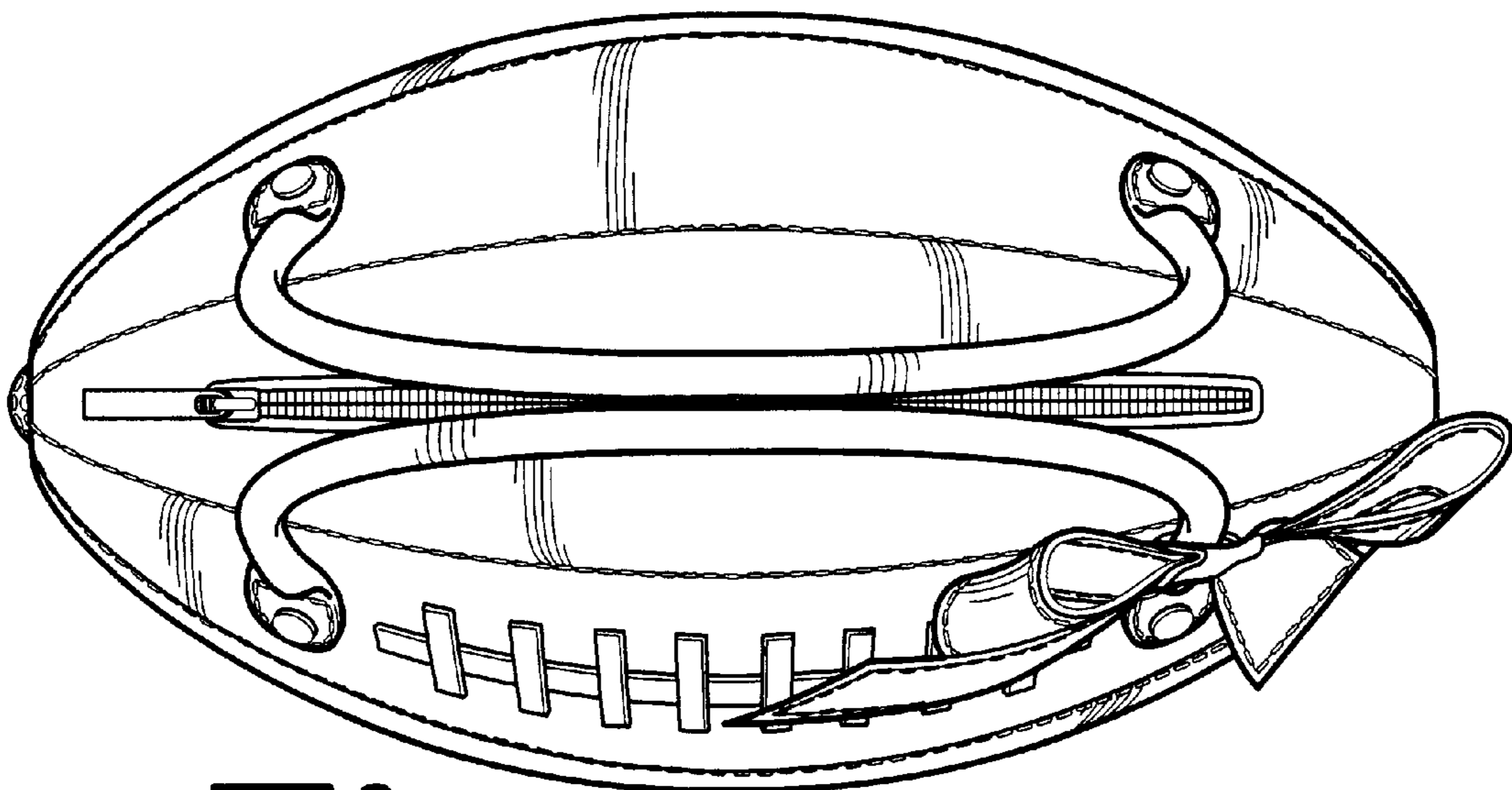


FIG. 3

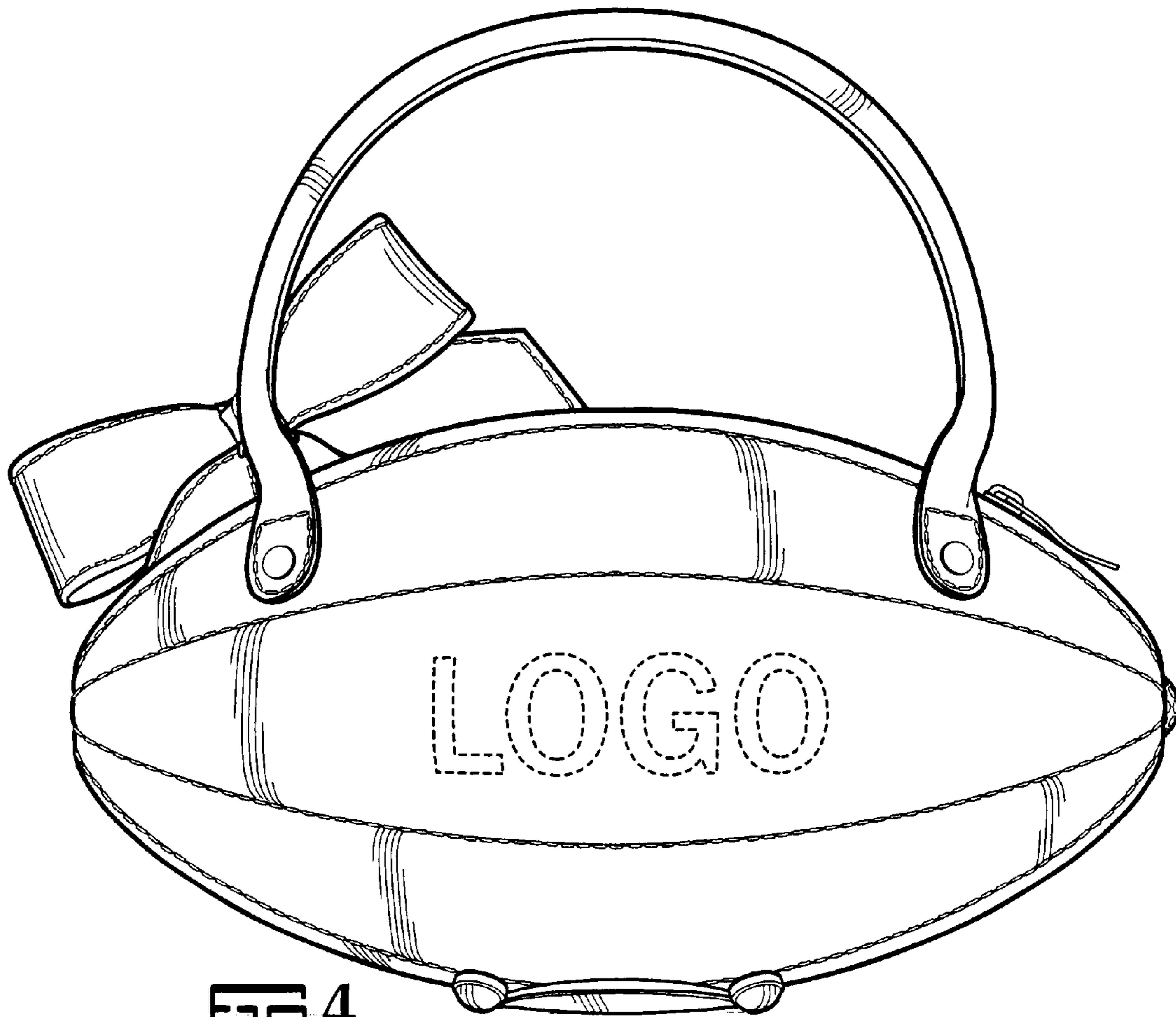


FIG. 4

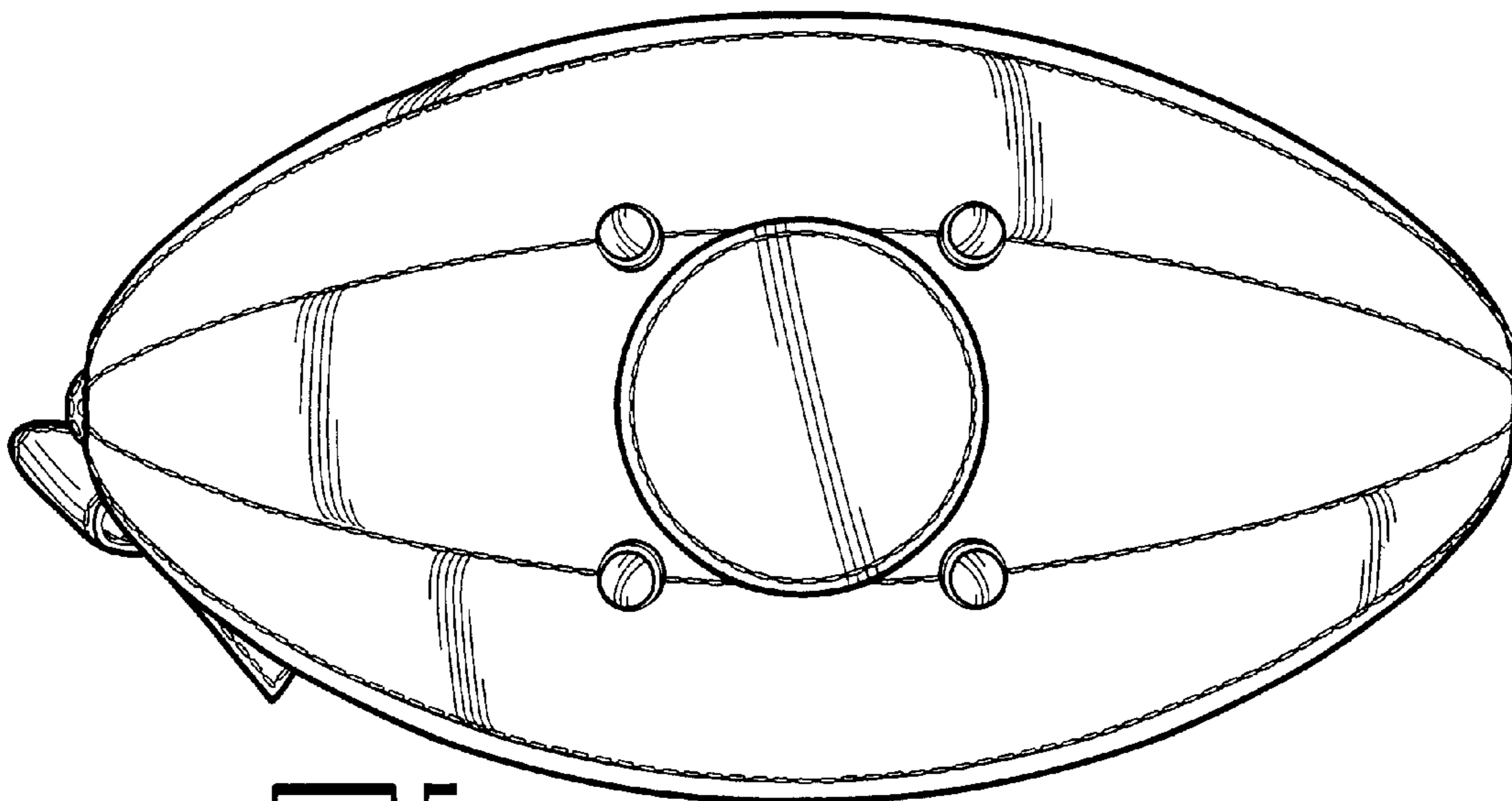


FIG. 5

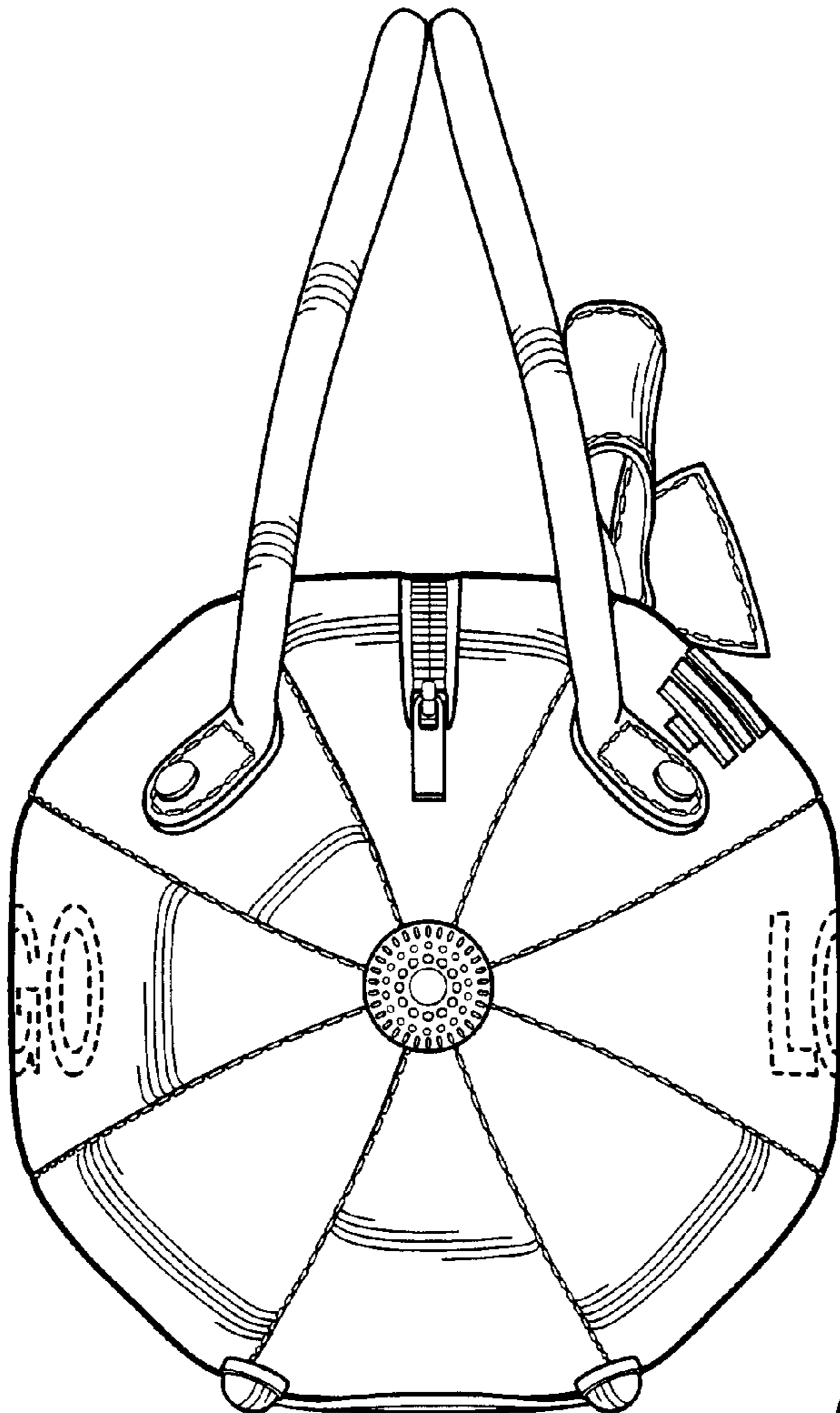


FIG. 6

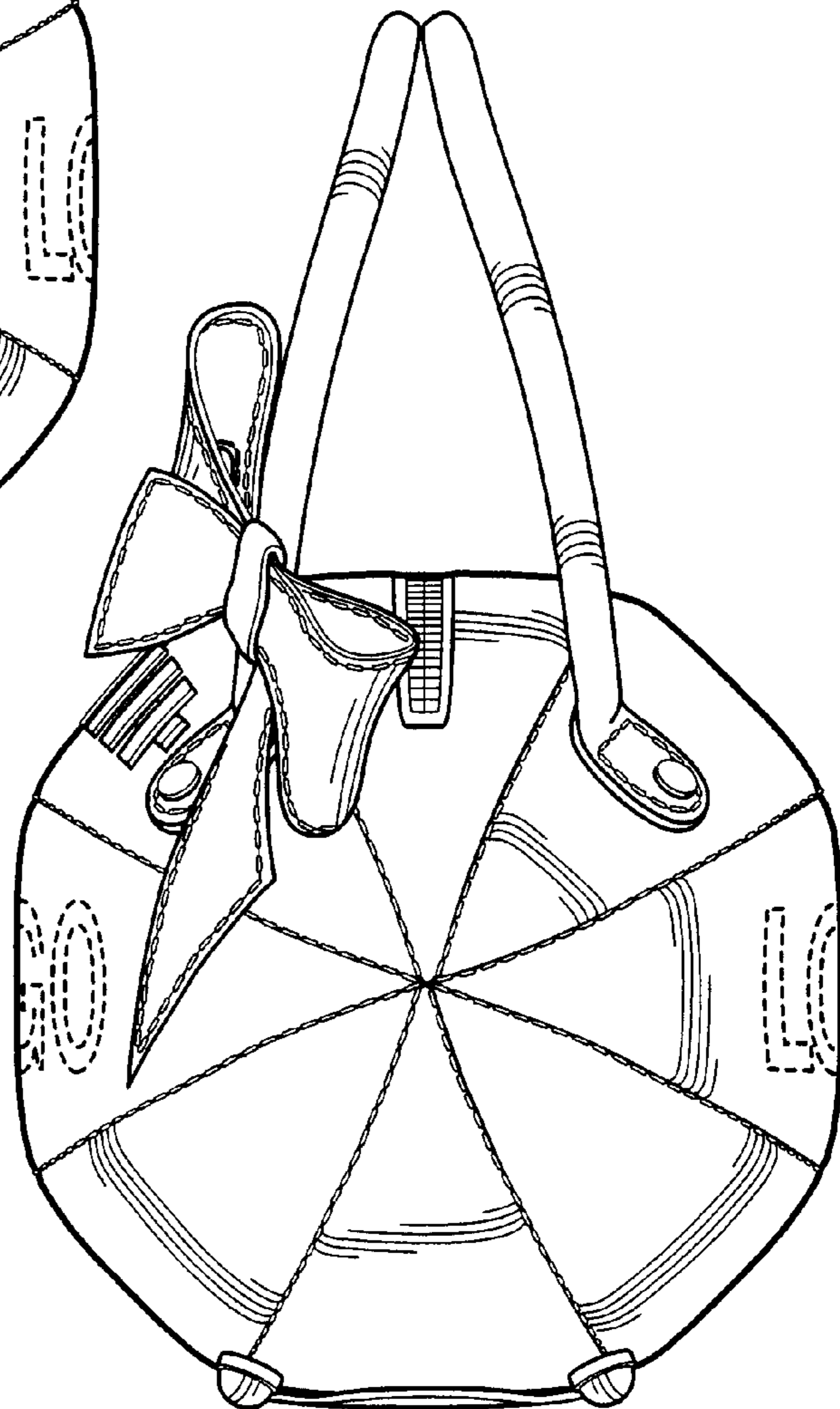


FIG. 7