



US00D521725S

(12) **United States Design Patent**  
**Clark**

(10) **Patent No.:** **US D521,725 S**

(45) **Date of Patent:** **\*\* May 30, 2006**

(54) **ADJUSTABLE CELL PHONE HOLSTER**

(76) Inventor: **Hossie Clark**, P.O. Box 608554,  
Cleveland, OH (US) 41085

(\*\*) Term: **14 Years**

(21) Appl. No.: **29/205,154**

(22) Filed: **May 10, 2004**

(51) **LOC (8) Cl.** ..... **03-01**

(52) **U.S. Cl.** ..... **D3/218**

(58) **Field of Classification Search** ..... D3/218,  
D3/215, 224, 226, 221, 220, 222-223; 224/901,  
224/624, 904, 222, 219, 240, 267

See application file for complete search history.

(56) **References Cited**

**U.S. PATENT DOCUMENTS**

5,358,159	A	*	10/1994	Lundie, Jr.	.....	224/624
D396,553	S	*	8/1998	Mecham et al.	.....	D3/218
D411,916	S	*	7/1999	Jackson	.....	D3/218
D467,727	S		12/2002	Kobayashi	.....	D3/218
D474,594	S	*	5/2003	Casparian	.....	D3/218
D490,237	S	*	5/2004	Hardge	.....	D3/218

**OTHER PUBLICATIONS**

www.eholster.com, "Leather Shoulder—Harness Case Systems," Website.

\* cited by examiner

*Primary Examiner*—Catherine R. Oliver

(74) *Attorney, Agent, or Firm*—Hahn, Loeser & Parks LLP;  
W. Edward Crooks

(57) **CLAIM**

The ornamental design for an adjustable cell phone holster, as shown and described.

**DESCRIPTION**

FIG. 1 is a top plan view of a first cell phone holster shoulder member that forms a portion of a first embodiment of the invention;

FIG. 2 is a rear view of the shoulder member of FIG. 1.

FIG. 3 is a side view of the shoulder member of FIG. 1;

FIG. 4 is a side view of the shoulder member of FIG. 1;

FIG. 5 is a top plan view of a second cell phone holster shoulder member having adjustment apertures, that forms a portion of the first embodiment of the invention;

FIG. 6 is a rear view of the shoulder member of FIG. 5.

FIG. 7 is a side view of the shoulder member of FIG. 5;

FIG. 8 is a side view of the shoulder member of FIG. 5;

FIG. 9 is a front view of an adjustable cell phone holster, shown in use and with non-claimed environment, in accordance with the first embodiment of the present invention;

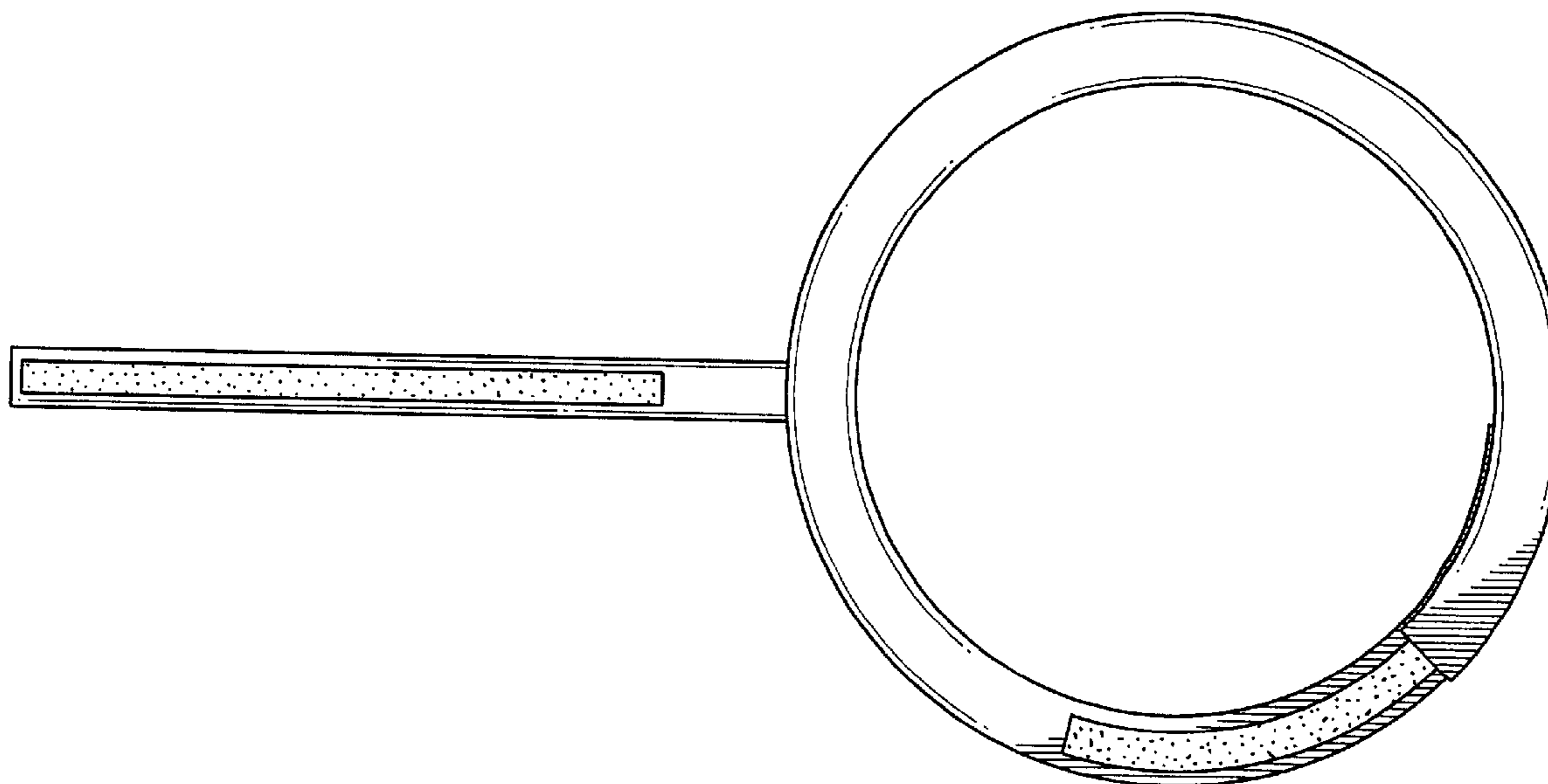
FIG. 10 is a rear view of the cell phone holster of FIG. 9, shown in use and with non-claimed environment.

FIG. 11 is a front view of a cell phone holster, shown in use, in accordance with a second embodiment of the present invention; and,

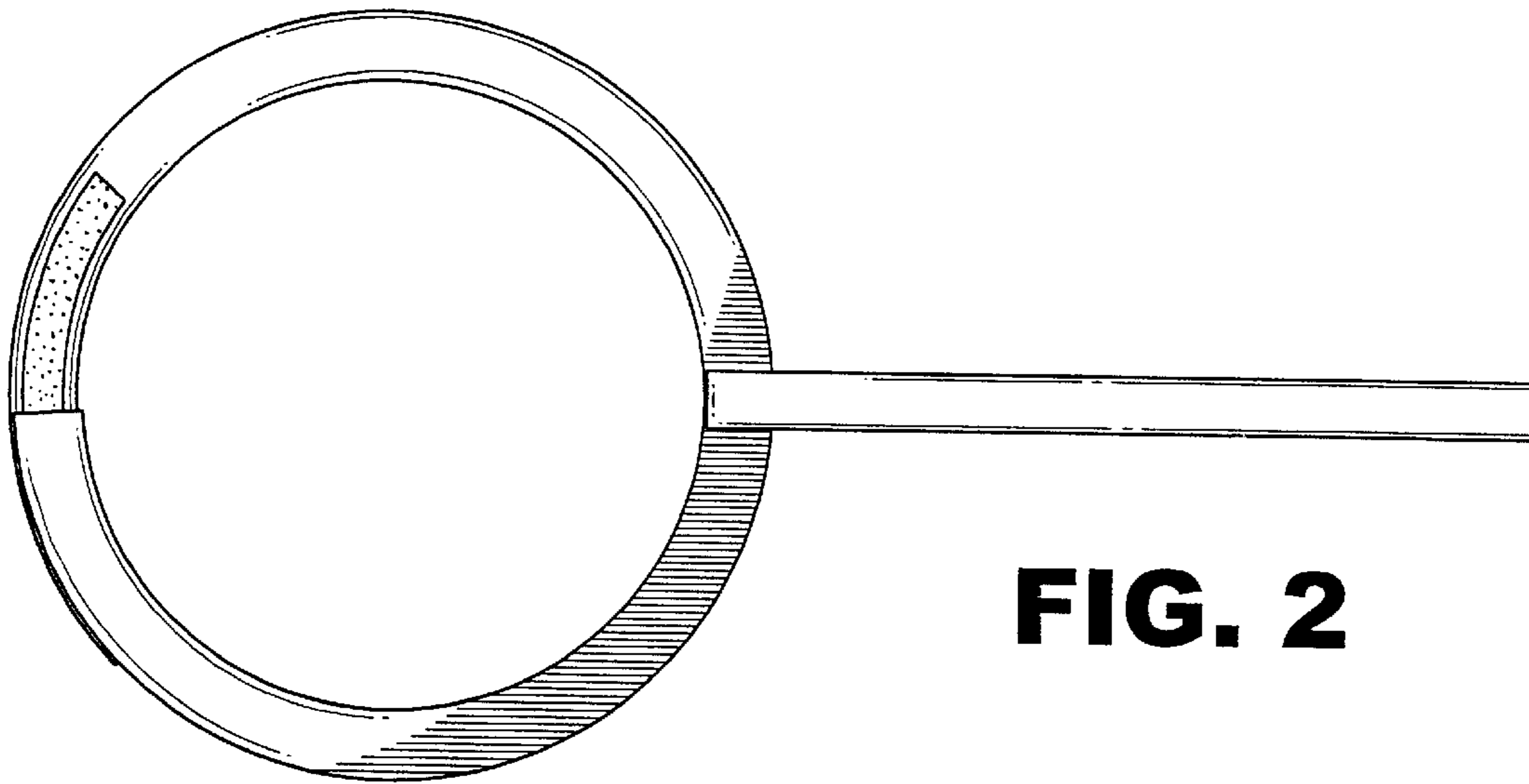
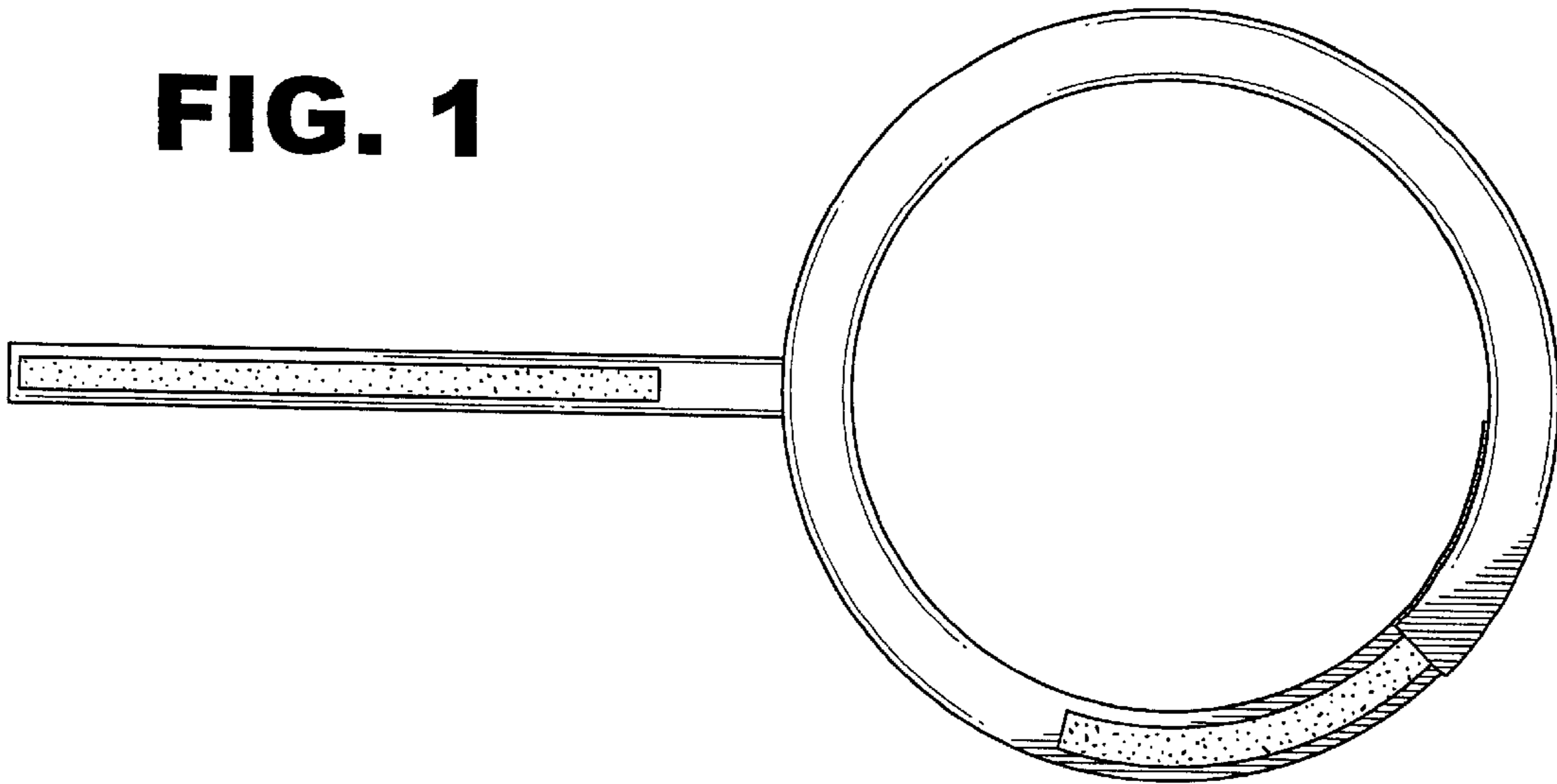
FIG. 12 is a front view of a cell phone holster, shown in use, in accordance with a third embodiment of the present invention.

The broken line showing is for illustrative purposes only and forms no part of the claimed design.

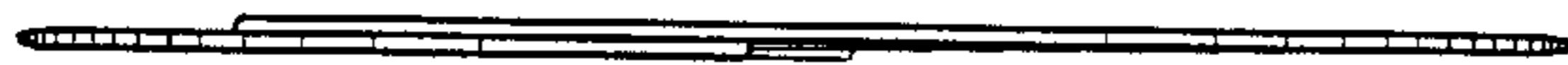
**1 Claim, 6 Drawing Sheets**



**FIG. 1**



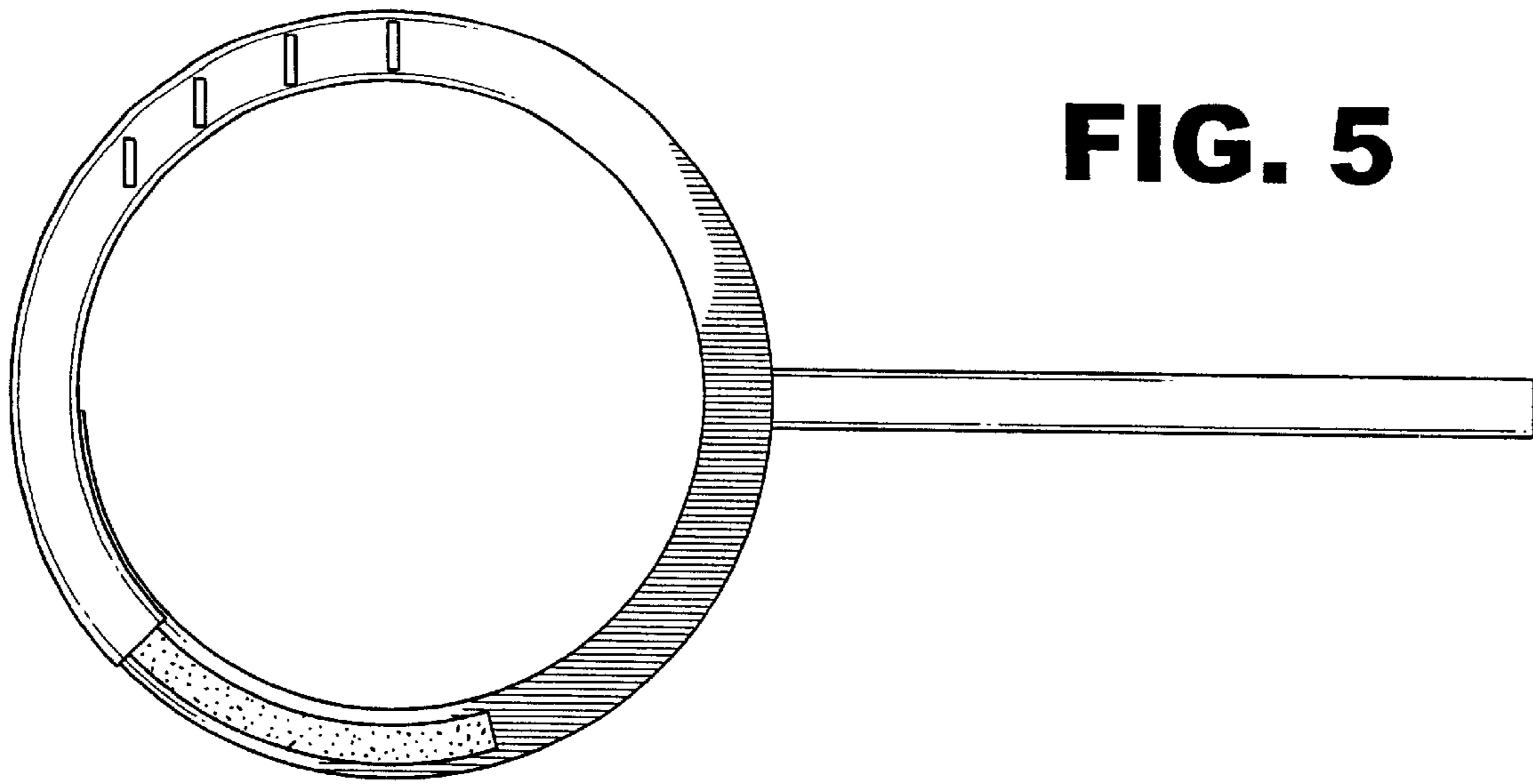
**FIG. 2**



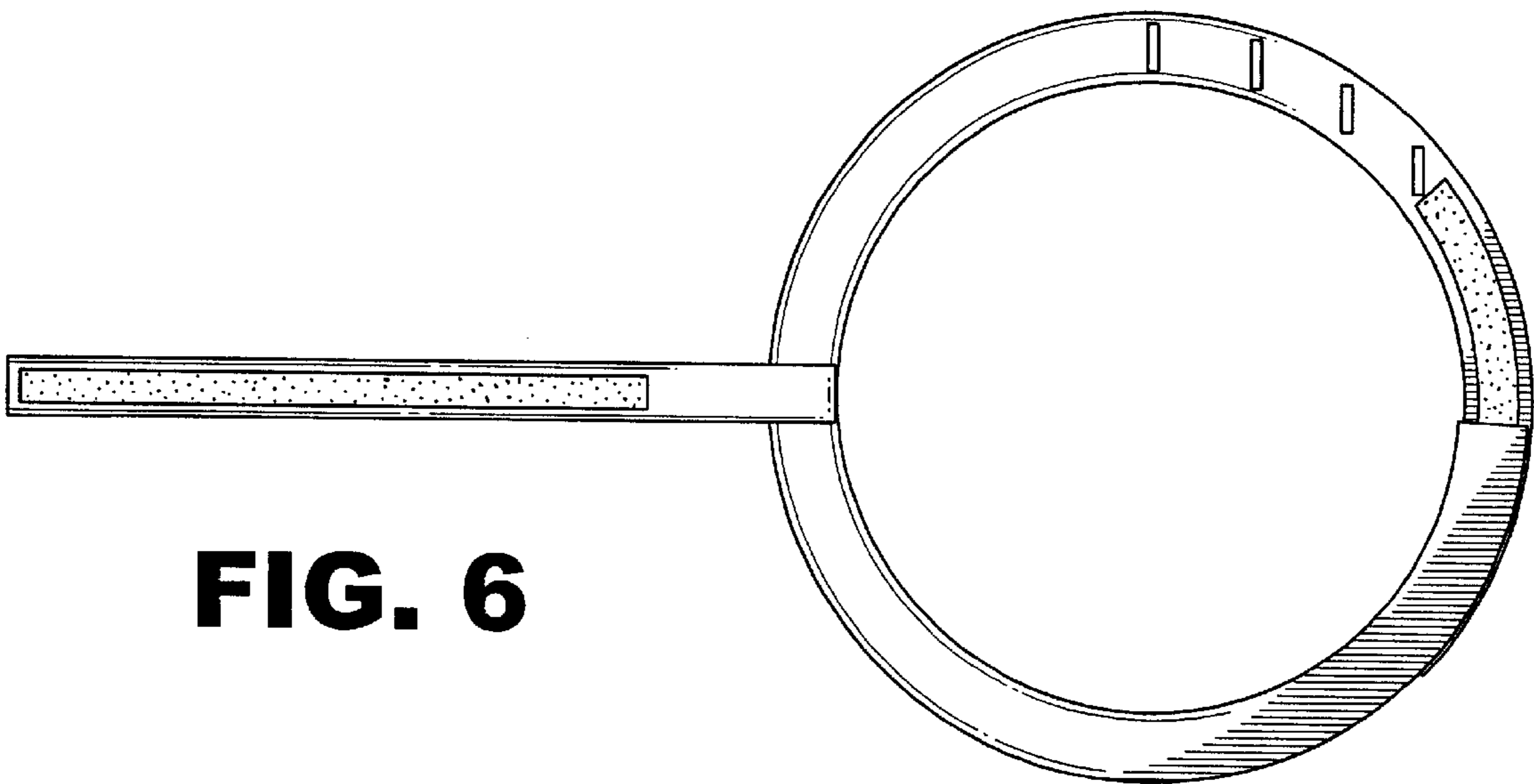
**FIG. 3**



**FIG. 4**



**FIG. 5**



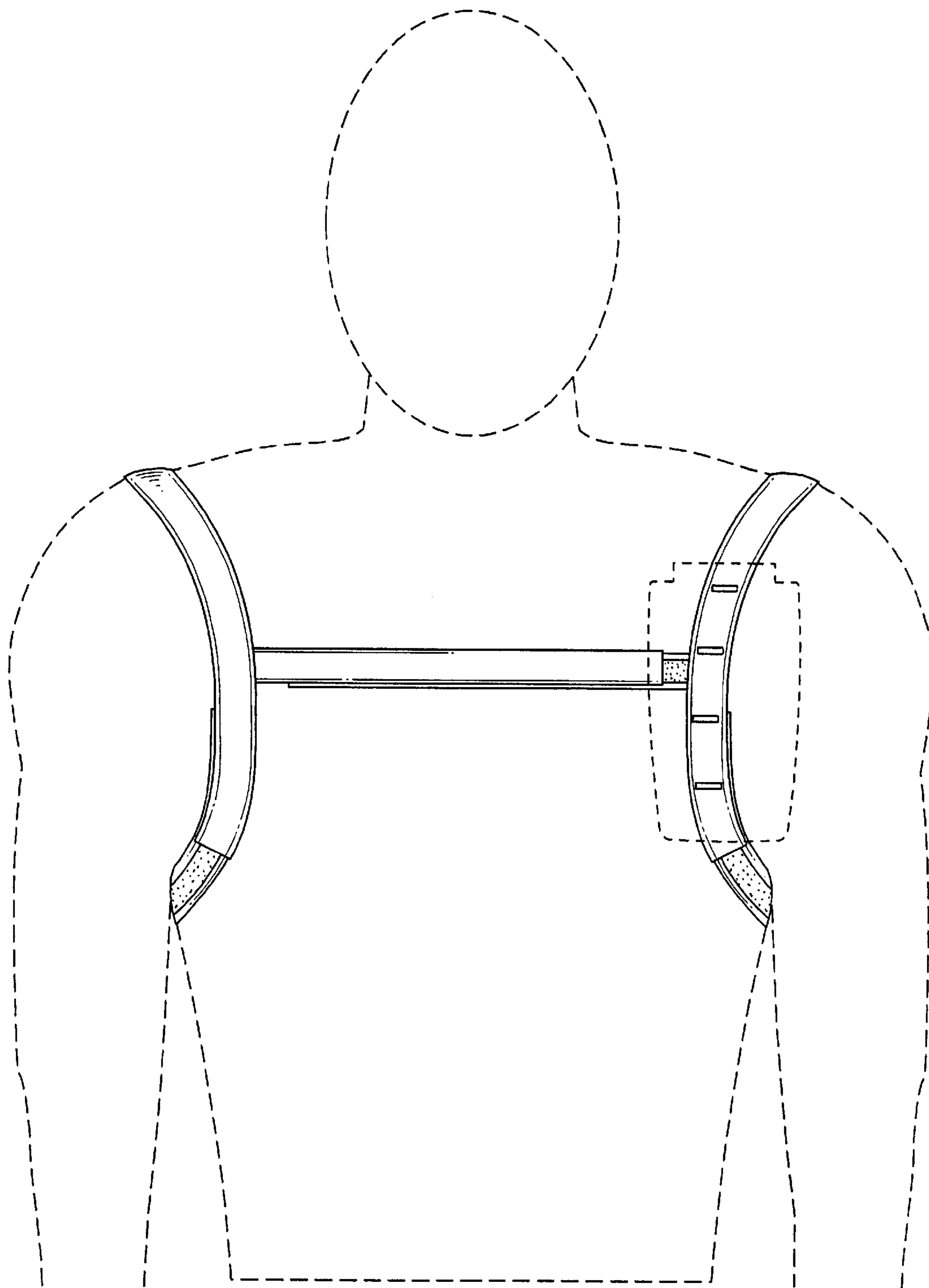
**FIG. 6**



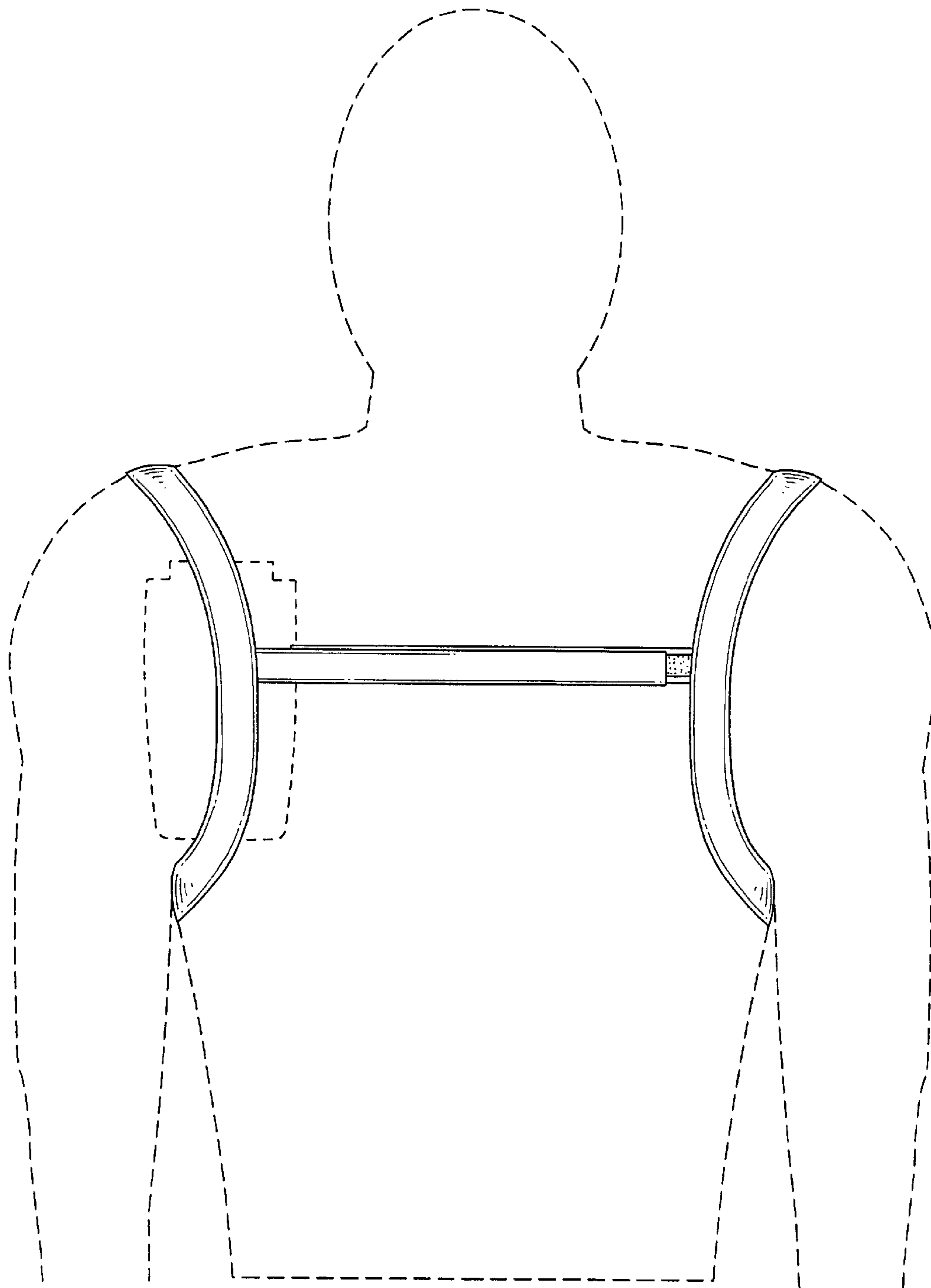
**FIG. 7**



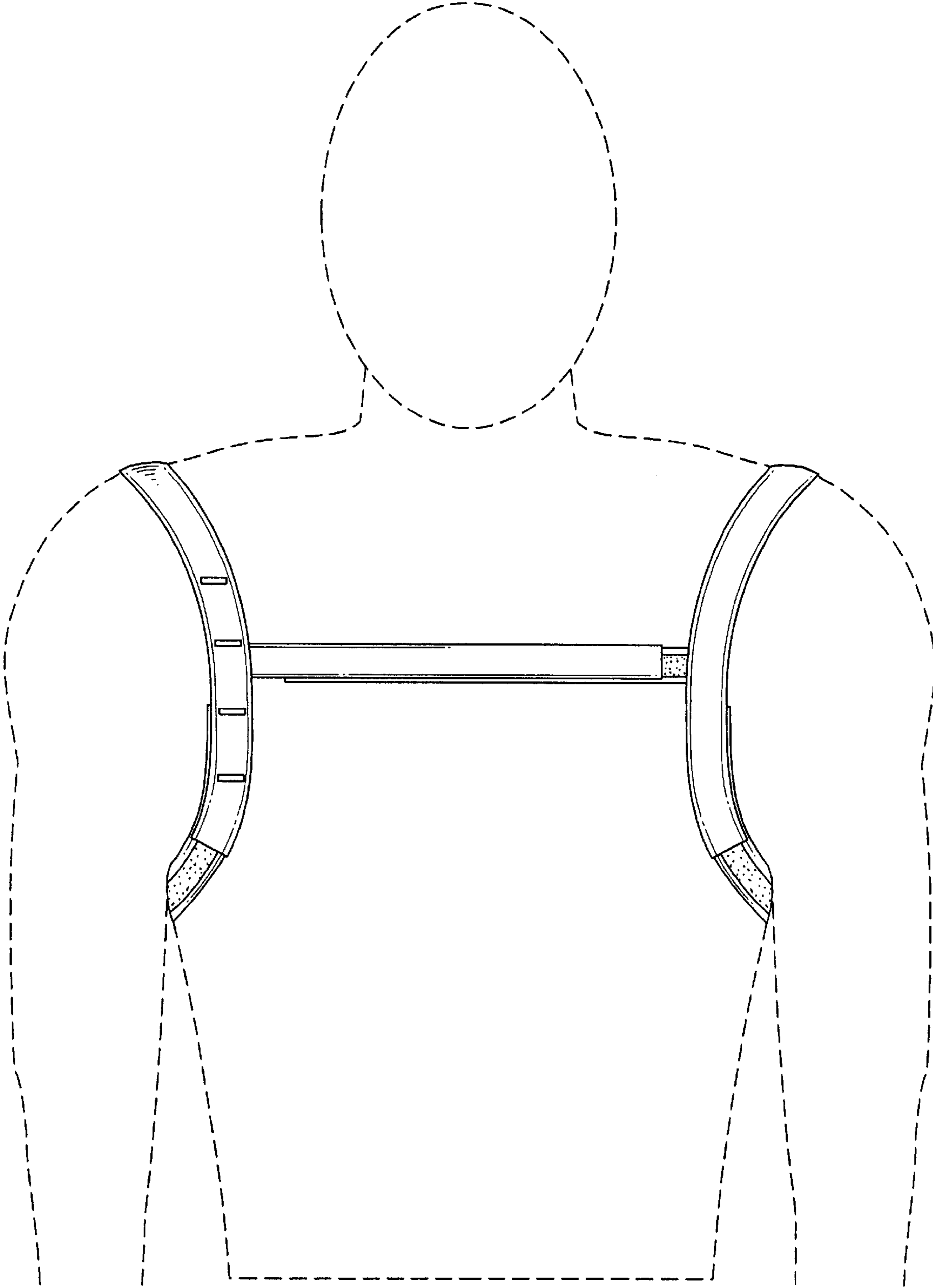
**FIG. 8**



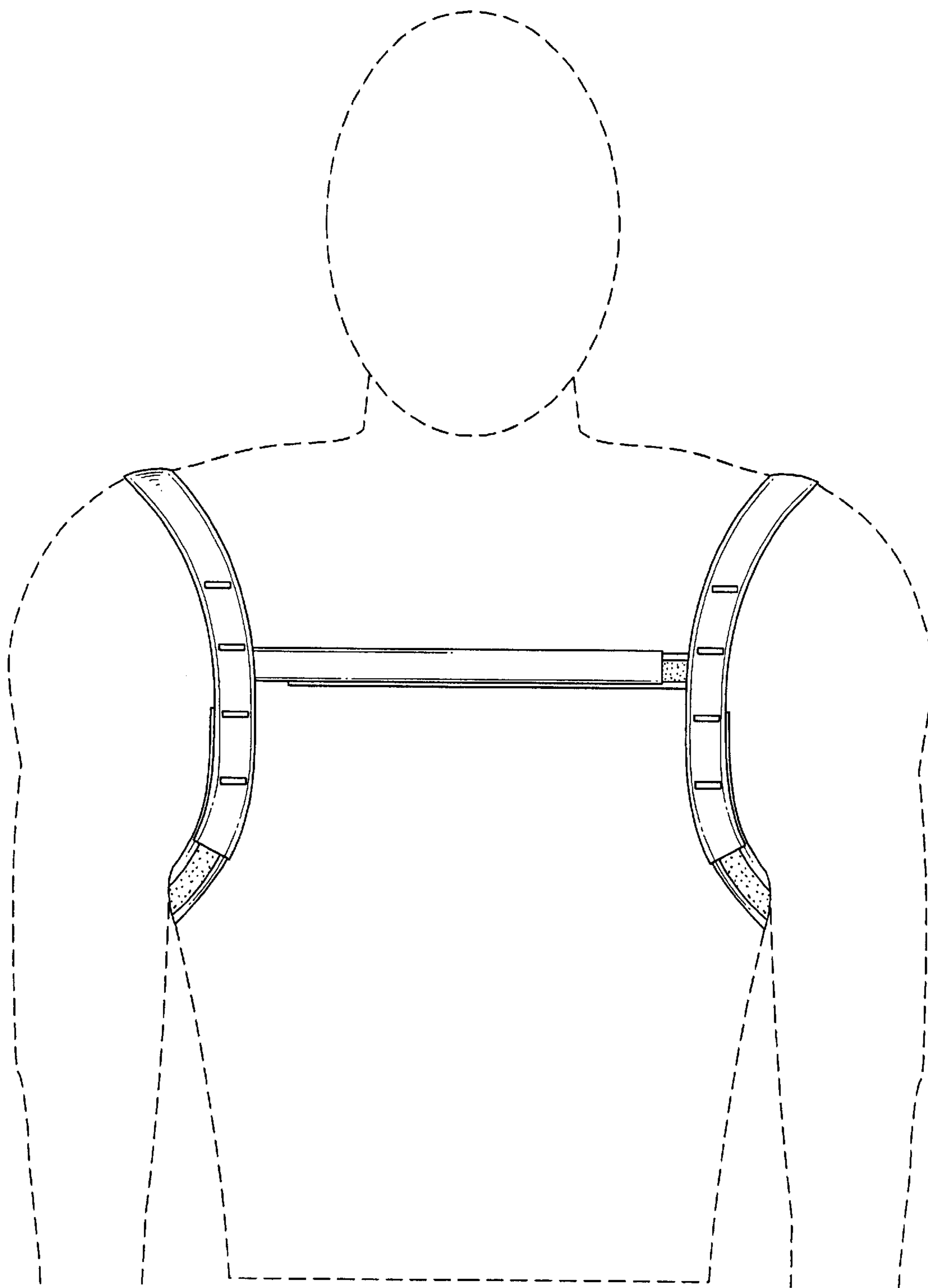
**FIG. 9**



**FIG. 10**



**FIG. 11**



**FIG. 12**