



US00D521715S

(12) **United States Design Patent** (10) **Patent No.:** **US D521,715 S**
Lotti (45) **Date of Patent:** **** May 30, 2006**

(54) **PORTION OF A SHOE SOLE**
(75) Inventor: **Martin Lotti**, Beaverton, OR (US)
(73) Assignee: **Nike, Inc.**, Beaverton, OR (US)
(**) Term: **14 Years**
(21) Appl. No.: **29/238,808**
(22) Filed: **Sep. 22, 2005**
(51) **LOC (8) Cl.** **02-04**
(52) **U.S. Cl.** **D2/957; D2/960**
(58) **Field of Classification Search** D2/946-948,
D2/951-954, 956, 957, 960; 36/3 B, 22 R,
36/24.5, 25 R, 32 R, 59 C
See application file for complete search history.

(56) **References Cited**

U.S. PATENT DOCUMENTS

588,768 A * 8/1897 Kennedy 36/3 B
RE11,694 E * 9/1898 Kennedy 36/3 R
861,846 A * 7/1907 Henricks 36/3 B
D120,317 S * 4/1940 Reeves D2/957
D122,131 S 8/1940 Sannar
D123,653 S * 11/1940 Cutler D2/960

(Continued)

OTHER PUBLICATIONS

Nike Footwear Catalog Spring 1985, Published 1985, p. 13.
Nike Footwear Catalog Fall 1991, Published Dec. 1990, p. 60.
Nike Footwear Catalog Fall 1991, Published Dec. 1990, p. 64.
Nike Footwear Catalog Fall 1993; Published Dec. 1992, p. 128.
Nike Footwear Catalog Fall 1993; Published Dec. 1992, p. 132.
Nike Footwear Catalog Fall 1994; Published Nov. 1993, p. 96.
Nike Footwear Catalog, Fall 1997; Published Dec. 1996, p. 25.

Nike Footwear Catalog, Fall 1997; Published Dec. 1996, p. 26.
Nike Footwear Catalog, Fall 1997; Published Dec. 1996, p. 175.
Nike Footwear Catalog, Holiday 1997; Published Mar. 1997, p. 30.
Nike Footwear Catalog, Holiday 1997; Published Mar. 1997, p. 33.
Nike Footwear Catalog, Late Spring 1998; Published Sep. 1997, p. 30.
Nike Footwear Catalog, Late Spring 1998; Published Sep. 1997, p. 238.
Nike Footwear Catalog, Spring 1998; Published Jun. 1997, p. 50.
Nike Footwear Catalog, Spring 1999; Published Jun. 1998, p. M20.
Nike Footwear Catalog, Spring 1999; Published Jun. 1998, p. M20.
Nike Footwear Catalog, Late Spring 1999; Published Sep. 1998, p. M32.

(Continued)

Primary Examiner—Celia A. Murphy
(74) *Attorney, Agent, or Firm*—Banner & Witcoff, Ltd

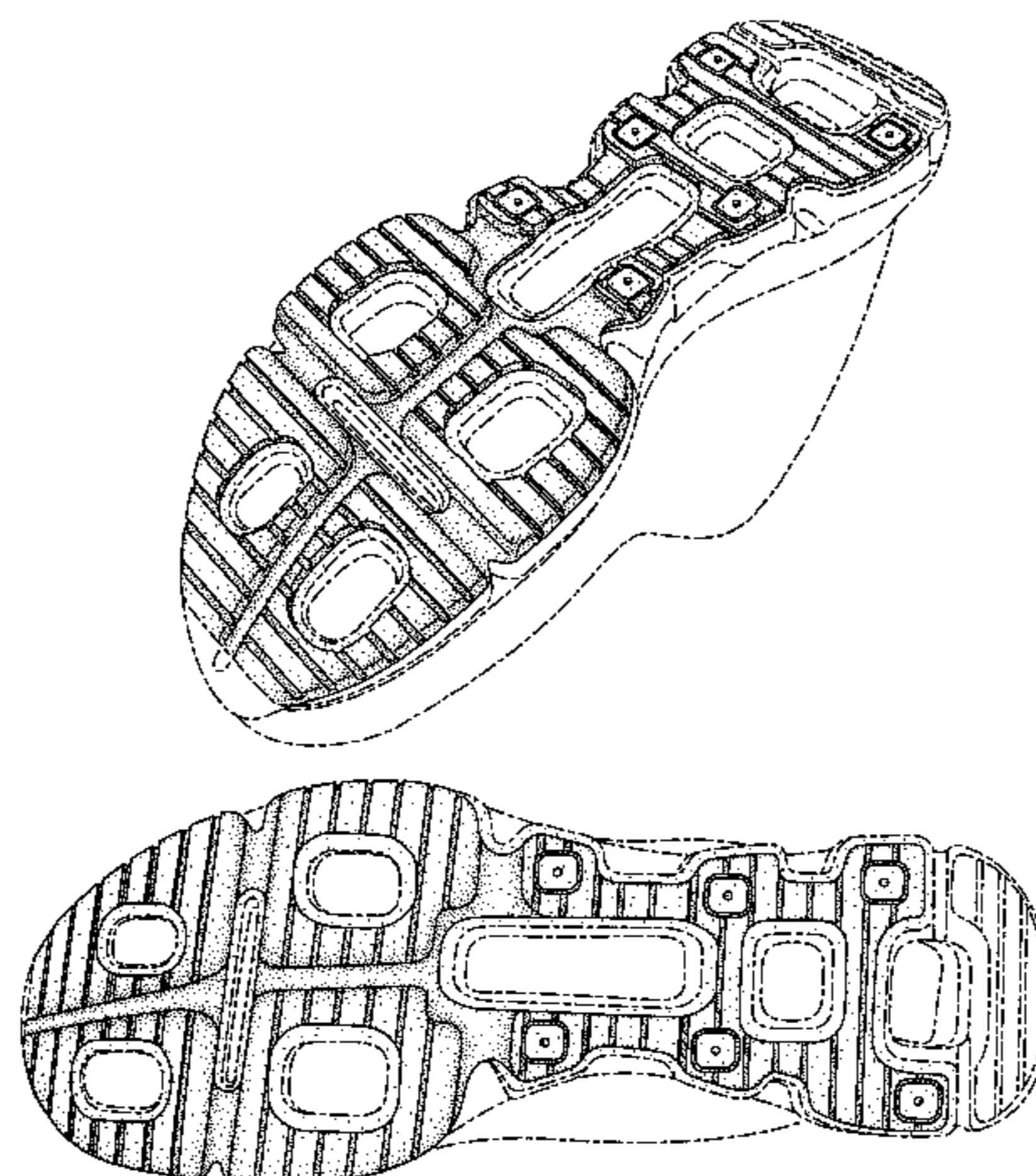
(57) **CLAIM**

The ornamental design for a portion of a shoe sole, as shown and described.

DESCRIPTION

FIG. 1 is a front perspective view of a portion of a shoe sole showing my new design;
FIG. 2 is a rear perspective view thereof; and,
FIG. 3 is a top view thereof.
The uneven broken line showing the upper and the remainder of the shoe sole is for illustrative purposes only and forms no part of the claimed design. The uneven broken lines showing disclaimed regions of the shoe sole are for illustrative purposes only and form no part of the claimed design. The uneven broken line immediately adjacent to the shaded area represents a portion of an unclaimed boundary of the design.

1 Claim, 3 Drawing Sheets



U.S. PATENT DOCUMENTS

2,683,317 A * 7/1954 Sprigg 36/32 R
 3,087,261 A * 4/1963 Russell 36/28
 D273,246 S 4/1984 Tonkel
 D275,148 S 8/1984 Bergmans
 D281,460 S * 11/1985 Parker D2/957
 4,562,651 A 1/1986 Frederick et al.
 4,827,631 A * 5/1989 Thornton 36/102
 4,893,420 A * 1/1990 Bezin et al. 36/131
 D315,442 S * 3/1991 Kilgore et al. D2/954
 5,005,299 A 4/1991 Whatley
 D316,930 S * 5/1991 Bernasconi D2/957
 D317,974 S * 7/1991 Austin D2/957
 D318,365 S * 7/1991 Thornton D2/960
 D320,884 S * 10/1991 Brue D2/957
 D332,001 S * 12/1992 Bayer D2/902
 D334,656 S * 4/1993 Bianchini D2/955
 D356,671 S * 3/1995 Blanchini D2/957
 D380,075 S * 6/1997 Sell et al. D2/959
 D387,193 S * 12/1997 Glicksman et al. D2/952
 D391,044 S 2/1998 Backus
 D391,747 S 3/1998 Avar
 D399,343 S 10/1998 Egelja et al.
 D415,610 S * 10/1999 Cahill D2/960
 D429,062 S * 8/2000 Santa D2/954
 D433,790 S 11/2000 Oliver
 D437,476 S 2/2001 Cavallin et al.
 D440,748 S * 4/2001 Morgan D2/957
 D442,358 S 5/2001 Nason
 D453,614 S 2/2002 White
 D454,679 S * 3/2002 Del Biondi D2/952

D470,999 S * 3/2003 Schroeder et al. D2/957
 D473,042 S 4/2003 Wilson
 D475,514 S * 6/2003 Burg et al. D2/960
 D476,142 S * 6/2003 Matis D2/960
 D479,035 S 9/2003 Adams et al.
 D487,334 S * 3/2004 Issler D2/960
 D493,609 S 8/2004 Robinson, Jr. et al.
 D495,858 S 9/2004 McClaskie
 D507,397 S * 7/2005 McClaskie D2/957
 2004/0250446 A1 * 12/2004 Greene et al. 36/25 R

OTHER PUBLICATIONS

Nike Footwear Catalog, Holiday 2000; Published Mar. 2000, p. 44.
 Nike Footwear Catalog Holiday 2000; Published Mar. 2000, p. 40.
 Nike Footwear Catalog Fall 2001; Published Nov. 2000, p. 40.
 Nike Footwear Catalog Spring 2001; Published Jun. 2000, p. W26.
 Nike Footwear Catalog Fall 2003; Published Nov. 2002, p. M42.
 Nike Footwear Catalog Spring 2004; Published Jun. 2003, p. 45.
 Nike Footwear Catalog Holiday 2004; Published Mar. 2004, p. M32.
 Nike Footwear Catalog Holiday 2004; Published Mar. 2004, p. M40.

* cited by examiner

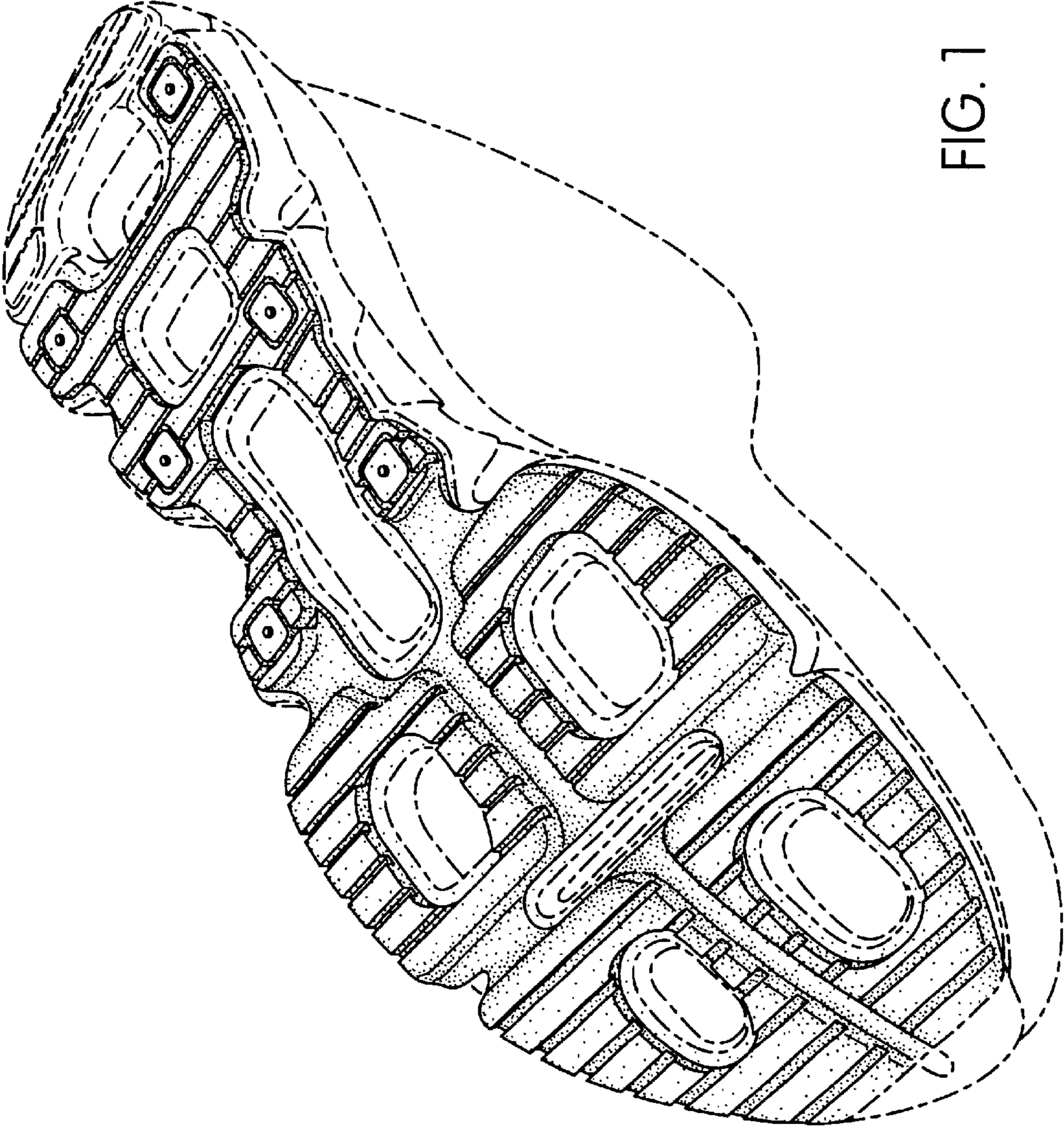


FIG. 1

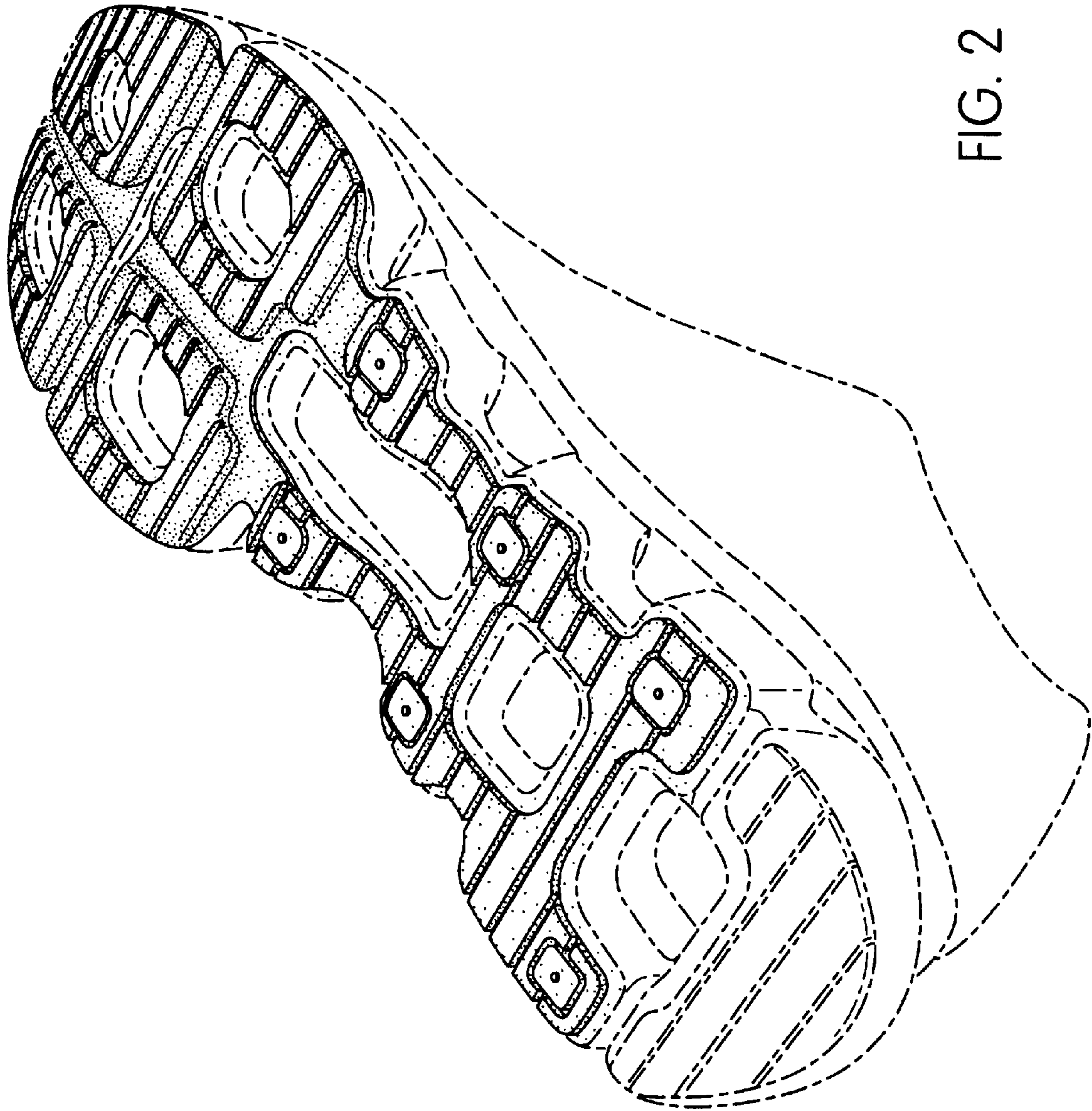


FIG. 2

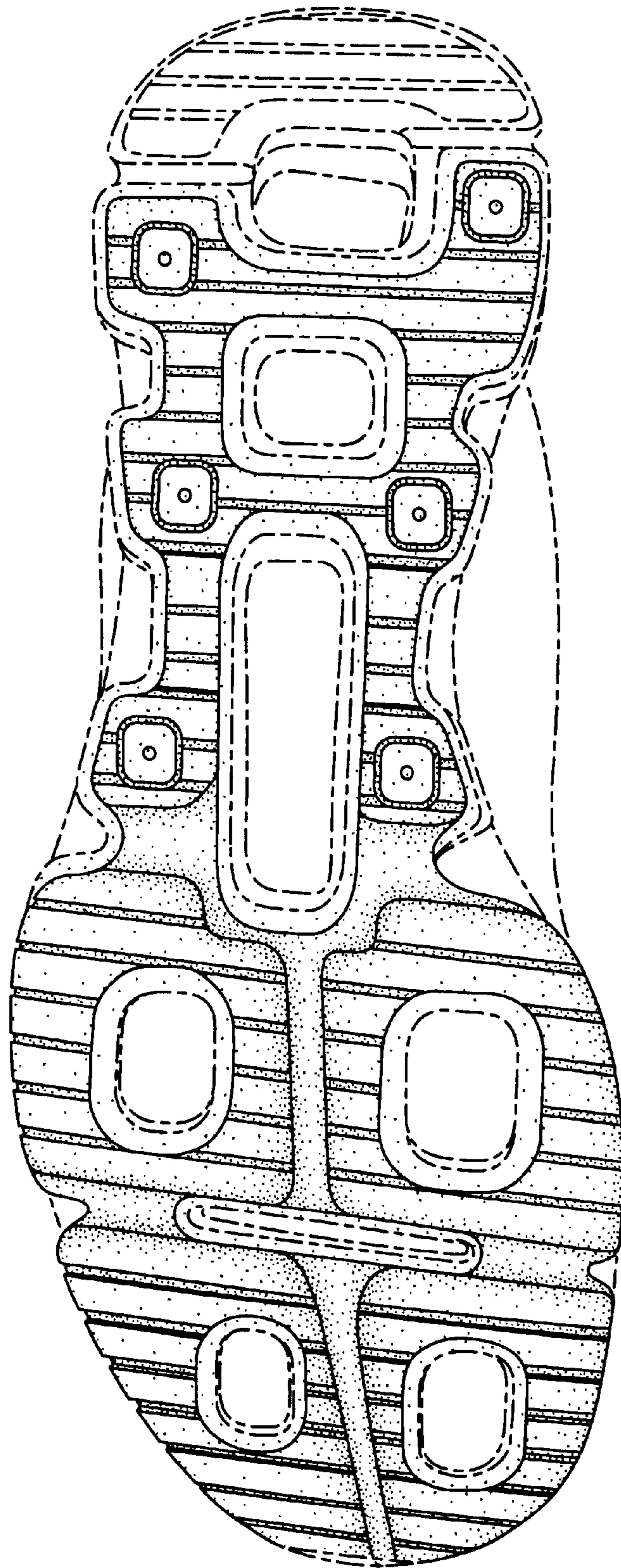


FIG. 3