

US00D521710S

(12) **United States Design Patent**
Goldschmidt

(10) **Patent No.:** **US D521,710 S**

(45) **Date of Patent:** **** May 23, 2006**

(54) **PORTABLE RAMP**

(76) Inventor: **Gary J. Goldschmidt**, 201 Helen St.,
Roberts, WI (US) 54023

(**) Term: **14 Years**

(21) Appl. No.: **29/198,105**

(22) Filed: **Jan. 26, 2004**

(51) **LOC (8) Cl.** **12-05**

(52) **U.S. Cl.** **D34/32**

(58) **Field of Classification Search** D34/28,
D34/31, 32; 14/69.5, 2.4, 71.1, 71.3; 254/88
See application file for complete search history.

(56) **References Cited**

U.S. PATENT DOCUMENTS

596,867	A	1/1898	Frick	
884,847	A	* 4/1908	Oslin	14/69.5
1,210,133	A	12/1916	Baker	
2,587,265	A	* 2/1952	Wright	414/537
2,591,153	A	* 4/1952	Hodges	414/499
3,153,798	A	* 10/1964	Drevitson	14/69.5
3,352,440	A	* 11/1967	Wilson	414/537
3,487,489	A	* 1/1970	Kuhns	14/69.5
D220,673	S	5/1971	Holbrook	
D224,912	S	* 10/1972	Oslin	D34/32
3,756,440	A	* 9/1973	Raap et al.	414/537
3,936,898	A	2/1976	Poe	
3,984,891	A	10/1976	Weinmann	
D246,449	S	* 11/1977	Poe	D34/32

4,368,553	A	1/1983	Perry	
D300,073	S	* 2/1989	Crump	D34/32
4,817,224	A	* 4/1989	Visnaw et al.	14/69.5
D315,046	S	* 2/1991	Abrams	D34/32
5,176,361	A	* 1/1993	Ayala, III	254/88
D346,256	S	* 4/1994	Thomas et al.	D34/32
D347,096	S	* 5/1994	Burton	D34/32
D353,071	S	* 12/1994	Roberts	D6/583
5,444,885	A	* 8/1995	Hanrahan et al.	14/69.5
5,598,594	A	* 2/1997	Milliken et al.	14/69.5
6,044,511	A	4/2000	Frost et al.	
6,463,613	B1	* 10/2002	Thompson	14/69.5
6,708,361	B1	* 3/2004	Emerson, Jr.	14/69.5

* cited by examiner

Primary Examiner—Cynthia E. Ramirez

(74) *Attorney, Agent, or Firm*—Donald R. Schoonover

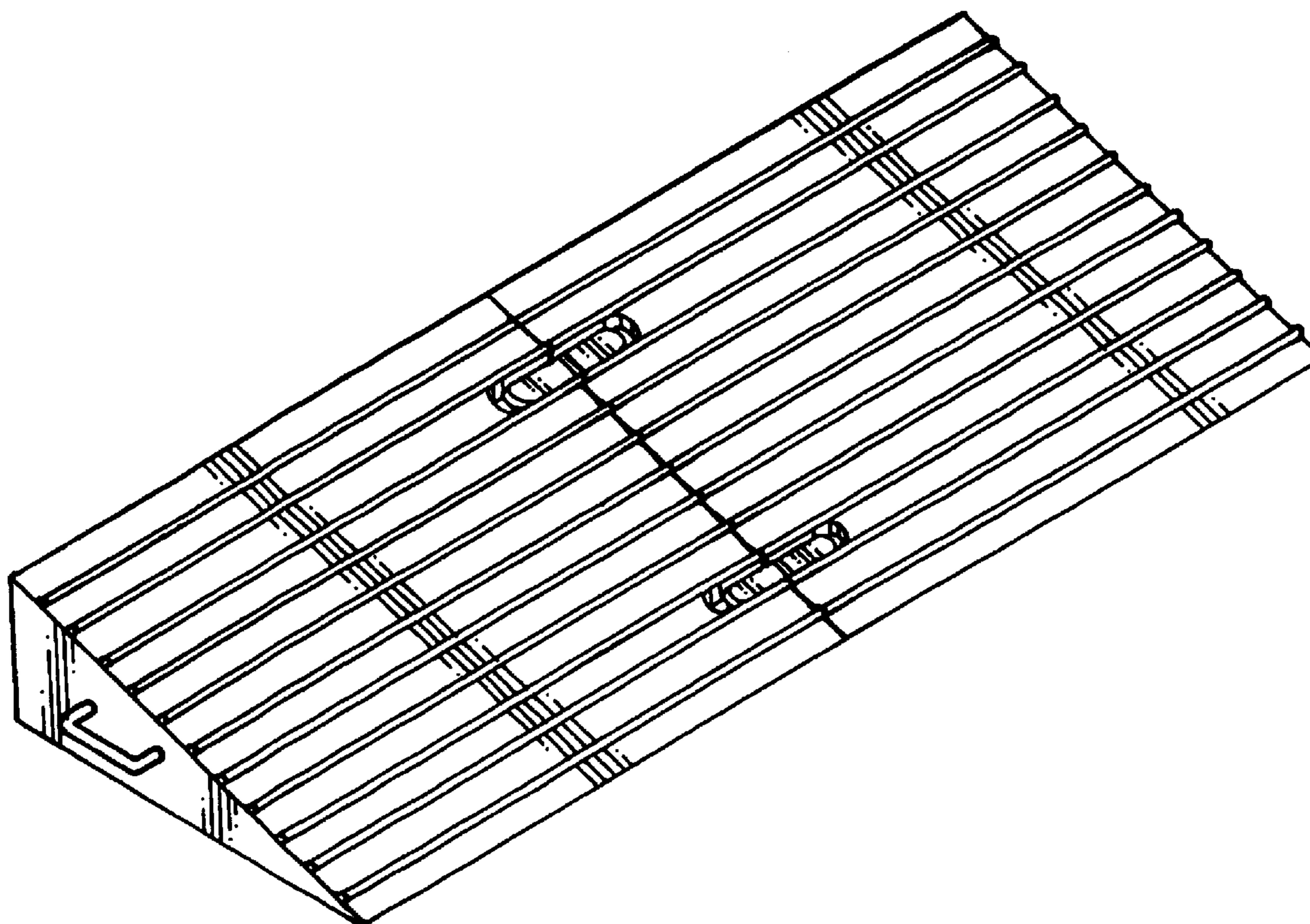
(57) **CLAIM**

I claim the ornamental design for a portable ramp, as shown and described.

DESCRIPTION

FIG. 1 is a perspective view of a portable ramp showing my new design;
FIG. 2 is a front elevational view thereof;
FIG. 3 is a rear elevational view thereof;
FIG. 4 is a right side elevational view thereof, the elevational view of the opposing side being a mirror image thereof;
FIG. 5 is a top plan view thereof; and,
FIG. 6 is a bottom plan view thereof.

1 Claim, 4 Drawing Sheets



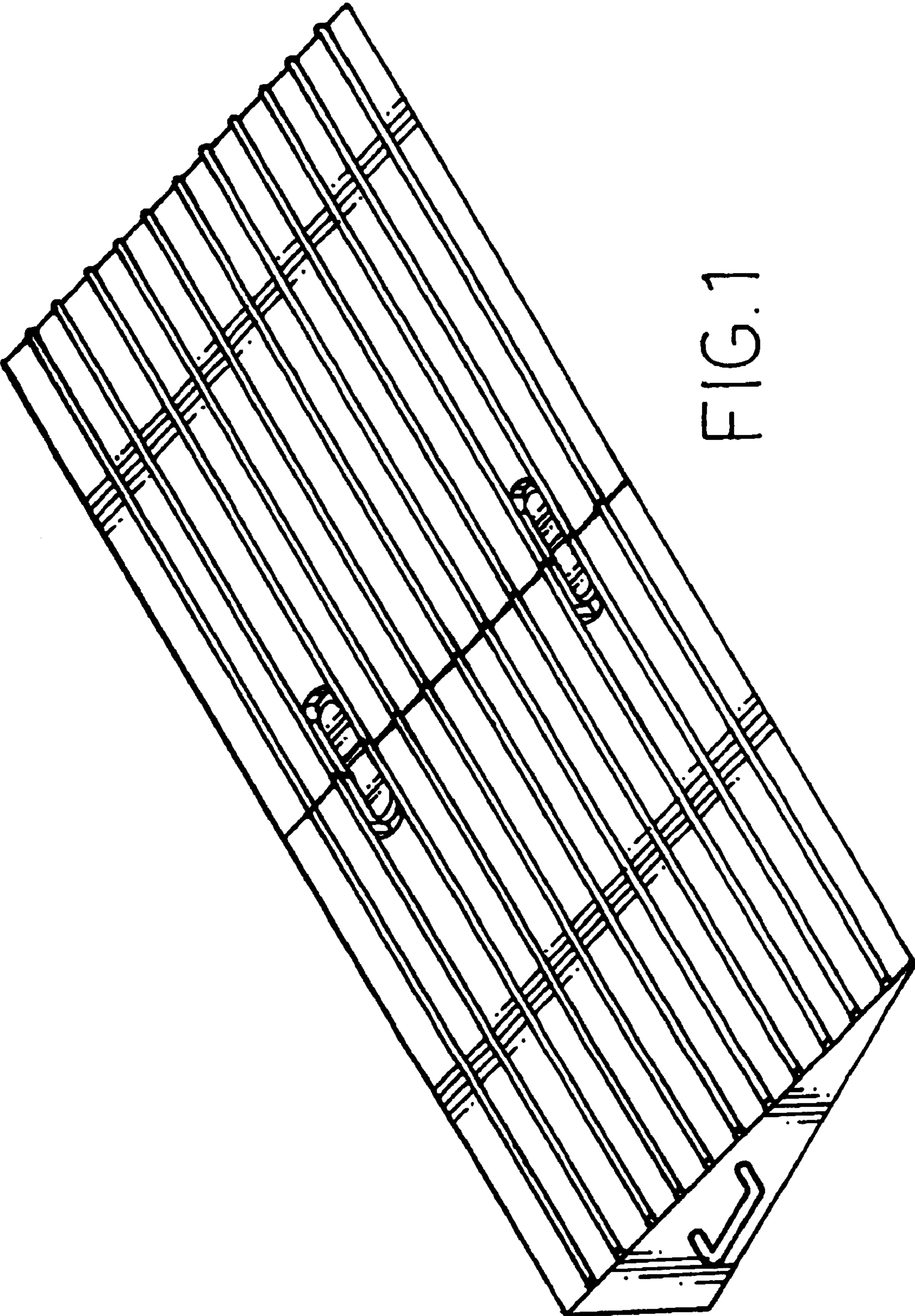


FIG. 1

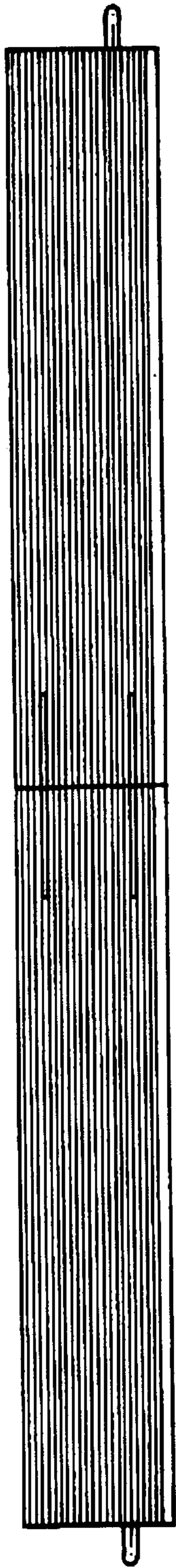


FIG. 2

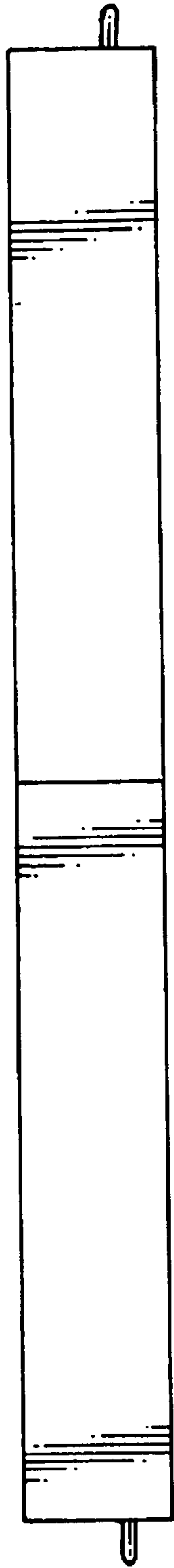


FIG. 3

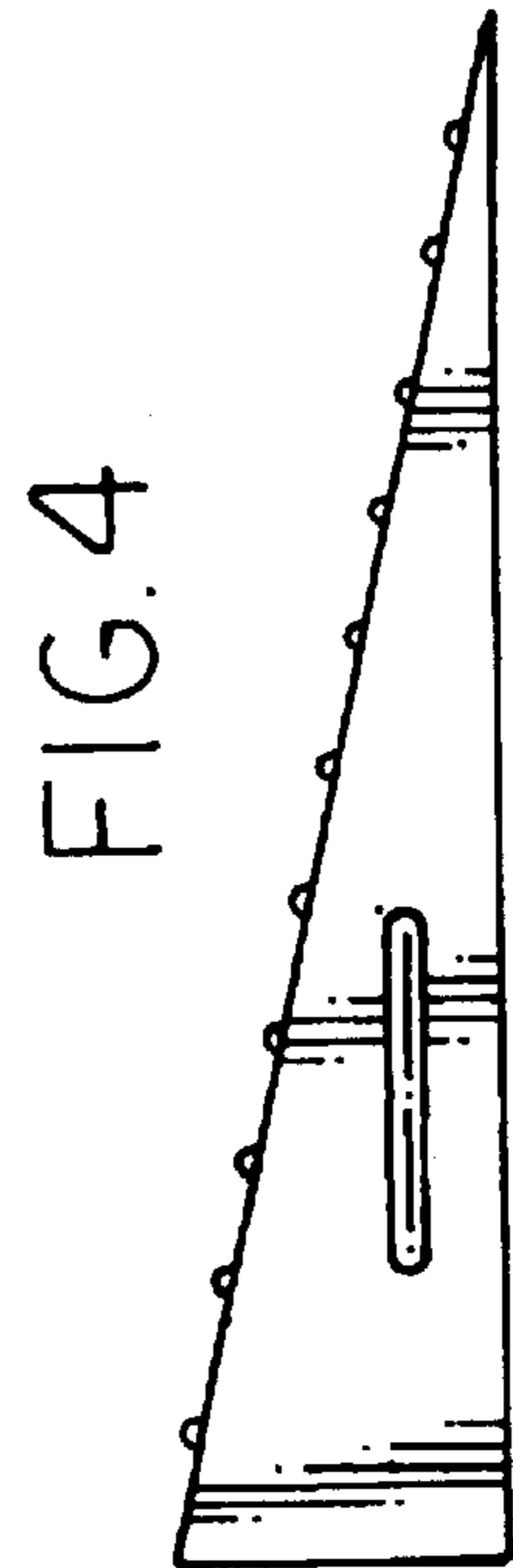


FIG. 4

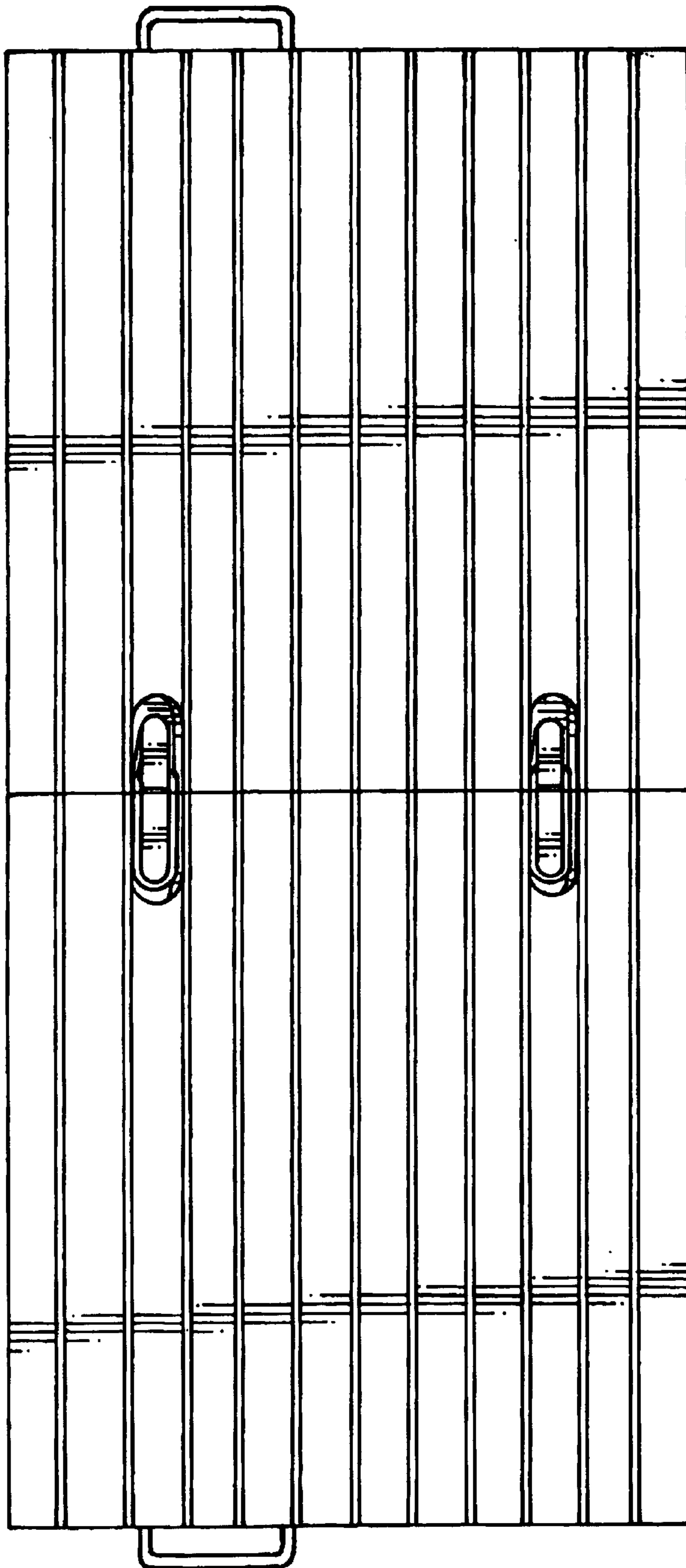


FIG. 5

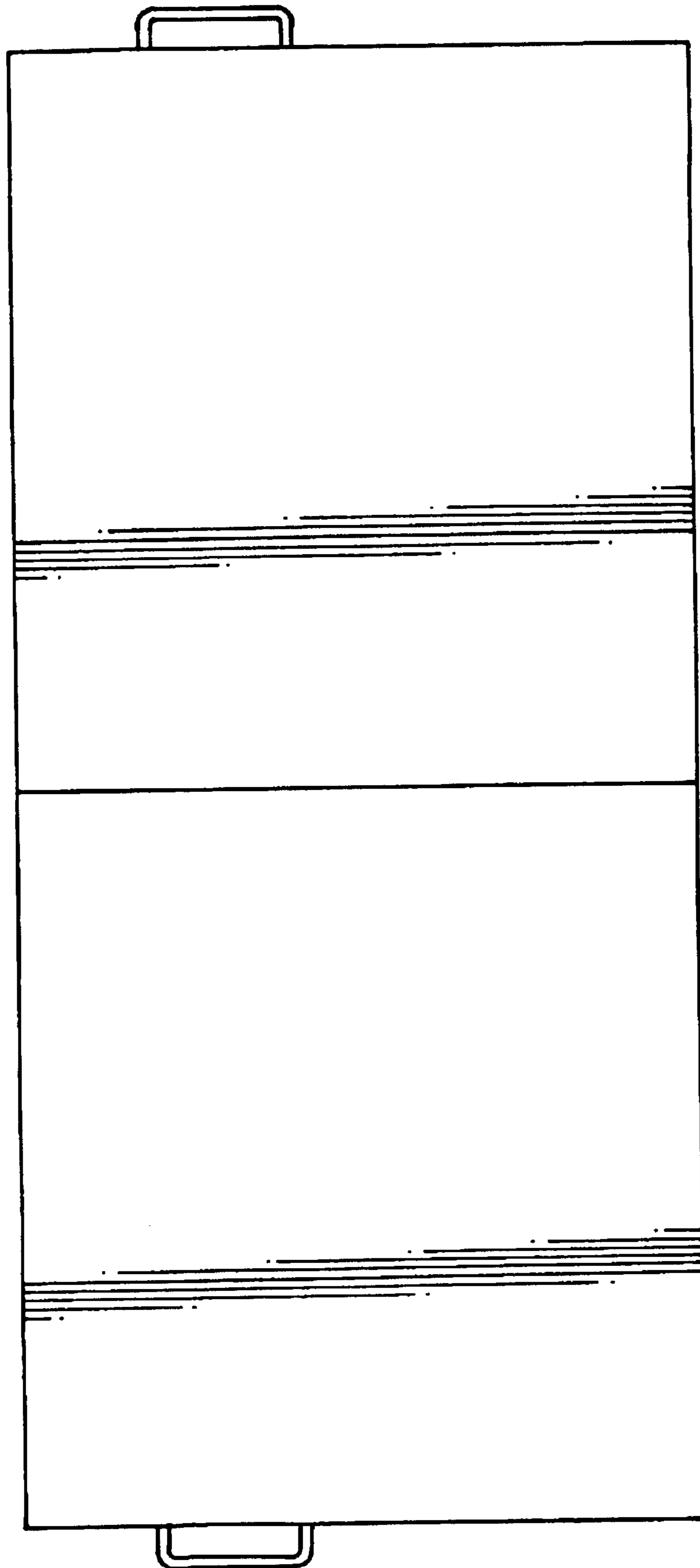


FIG. 6