



US00D521709S

(12) **United States Design Patent**  
**Johnson et al.**

(10) **Patent No.:** **US D521,709 S**

(45) **Date of Patent:** **\*\* May 23, 2006**

(54) **BULK ITEM CART**

D404,871 S \* 1/1999 Golichowski et al. .... D34/17  
D410,577 S \* 6/1999 Ciphers, Sr. .... D34/17

(75) Inventors: **Christopher M. Johnson**, Richmond, VA (US); **Ralph McCann**, Richmond, VA (US)

\* cited by examiner

*Primary Examiner*—Holly H. Baynham

(74) *Attorney, Agent, or Firm*—McGuireWoods LLP

(73) Assignee: **Rehrig International, Inc.**, Richmond, VA (US)

(57) **CLAIM**

(\*\*) Term: **14 Years**

We claim the ornamental design for a bulk item cart, as shown.

(21) Appl. No.: **29/191,314**

**DESCRIPTION**

(22) Filed: **Oct. 7, 2003**

FIG. 1 is a side plan view of an embodiment of a bulk item cart;

(51) **LOC (8) Cl.** ..... **12-02**

FIG. 2 is a rear plan view of the embodiment of the bulk item cart;

(52) **U.S. Cl.** ..... **D34/24**

FIG. 3 is a top plan view of the embodiment of the bulk item cart;

(58) **Field of Classification Search** ..... D34/12,  
D34/17, 19-24; 280/33.991, 33.993, 33.994,  
280/47.18, 47.26, 47.34

FIG. 4 is a bottom plan view of the embodiment of the bulk item cart;

See application file for complete search history.

FIG. 5 is a front plan view of the embodiment of the bulk item cart; and,

FIG. 6 is a perspective view of the embodiment of the bulk item cart.

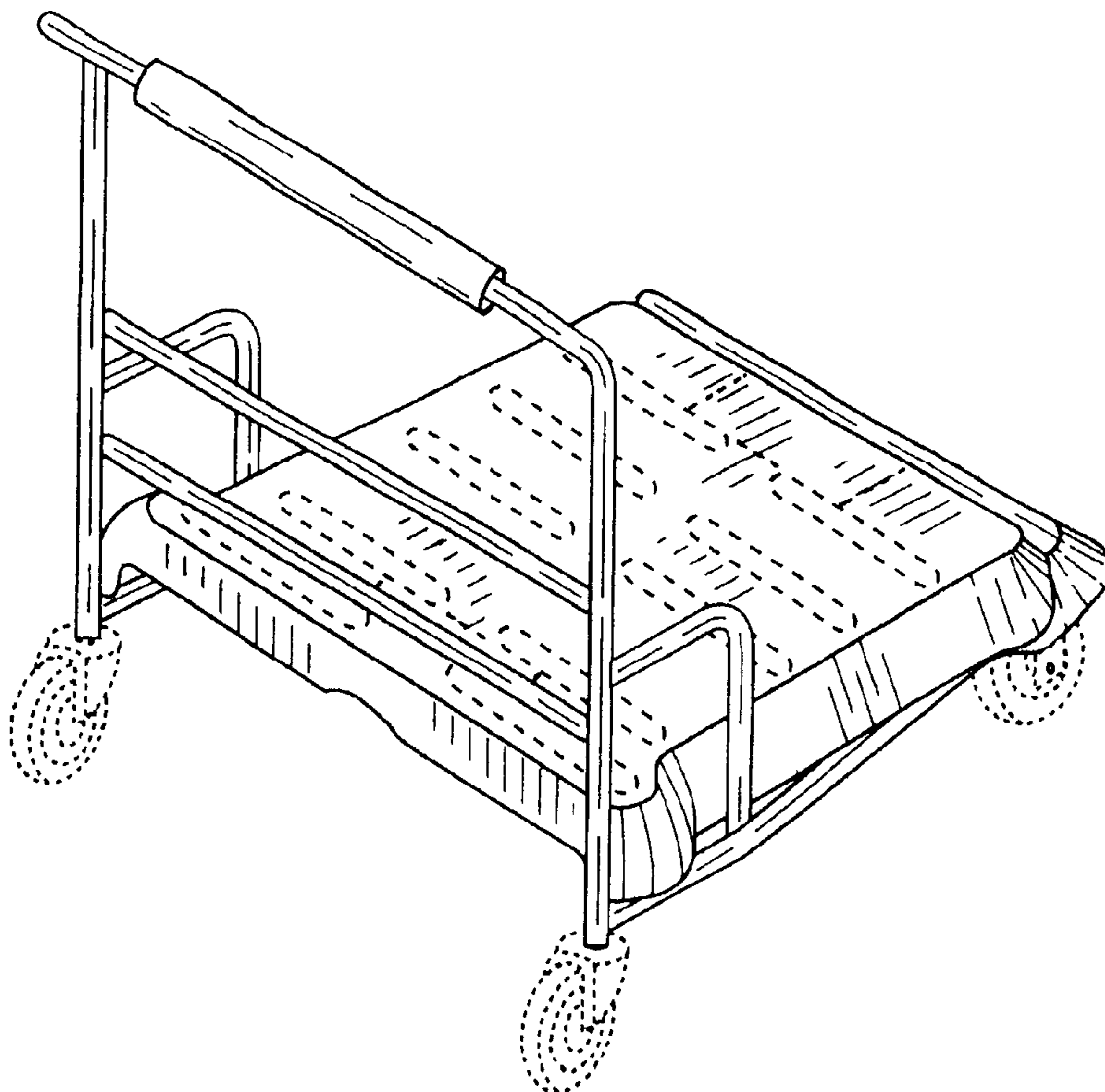
(56) **References Cited**

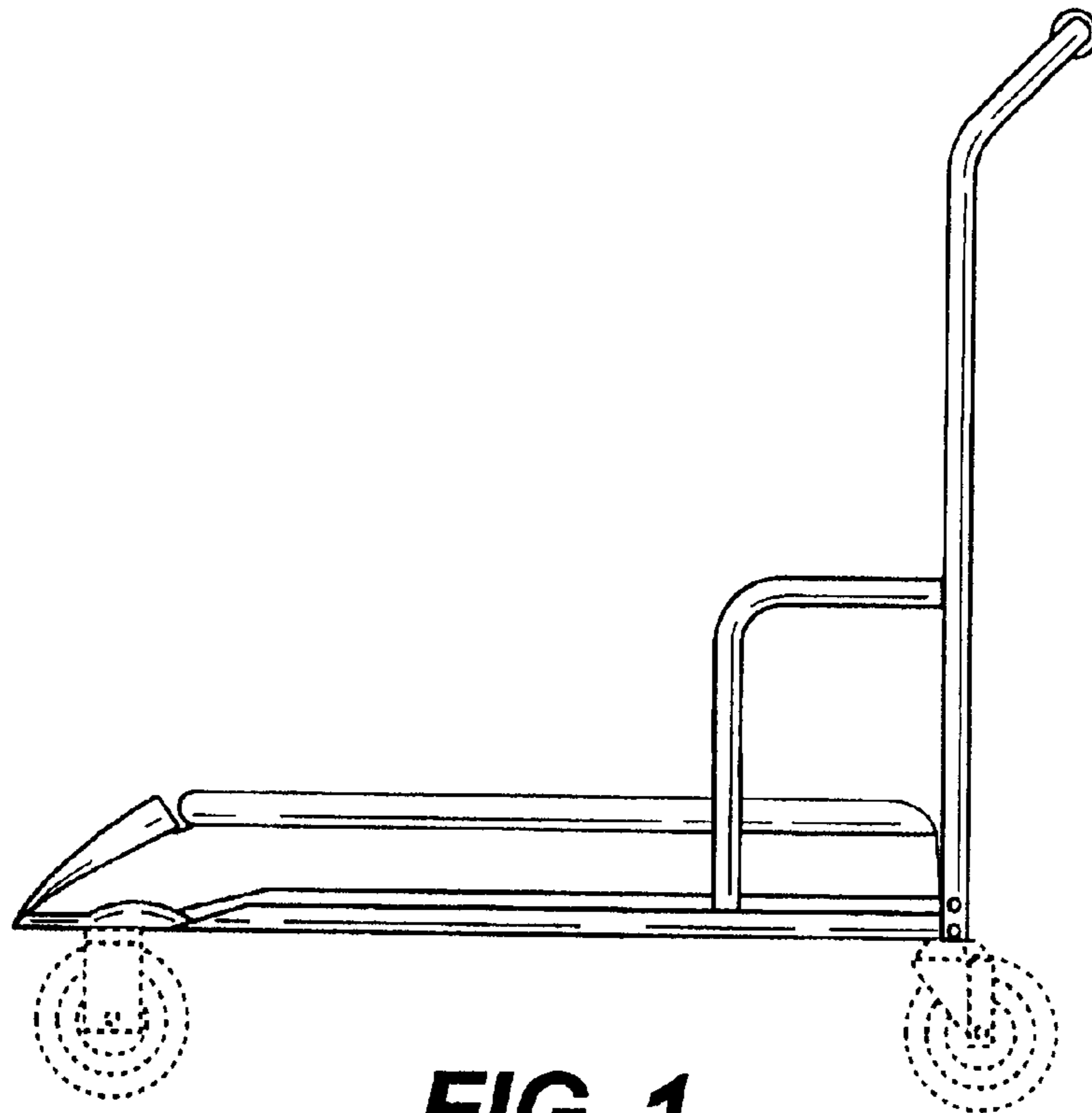
In embodiments, the broken lines are for illustrative purposes only and form no part of the claimed design.

**U.S. PATENT DOCUMENTS**

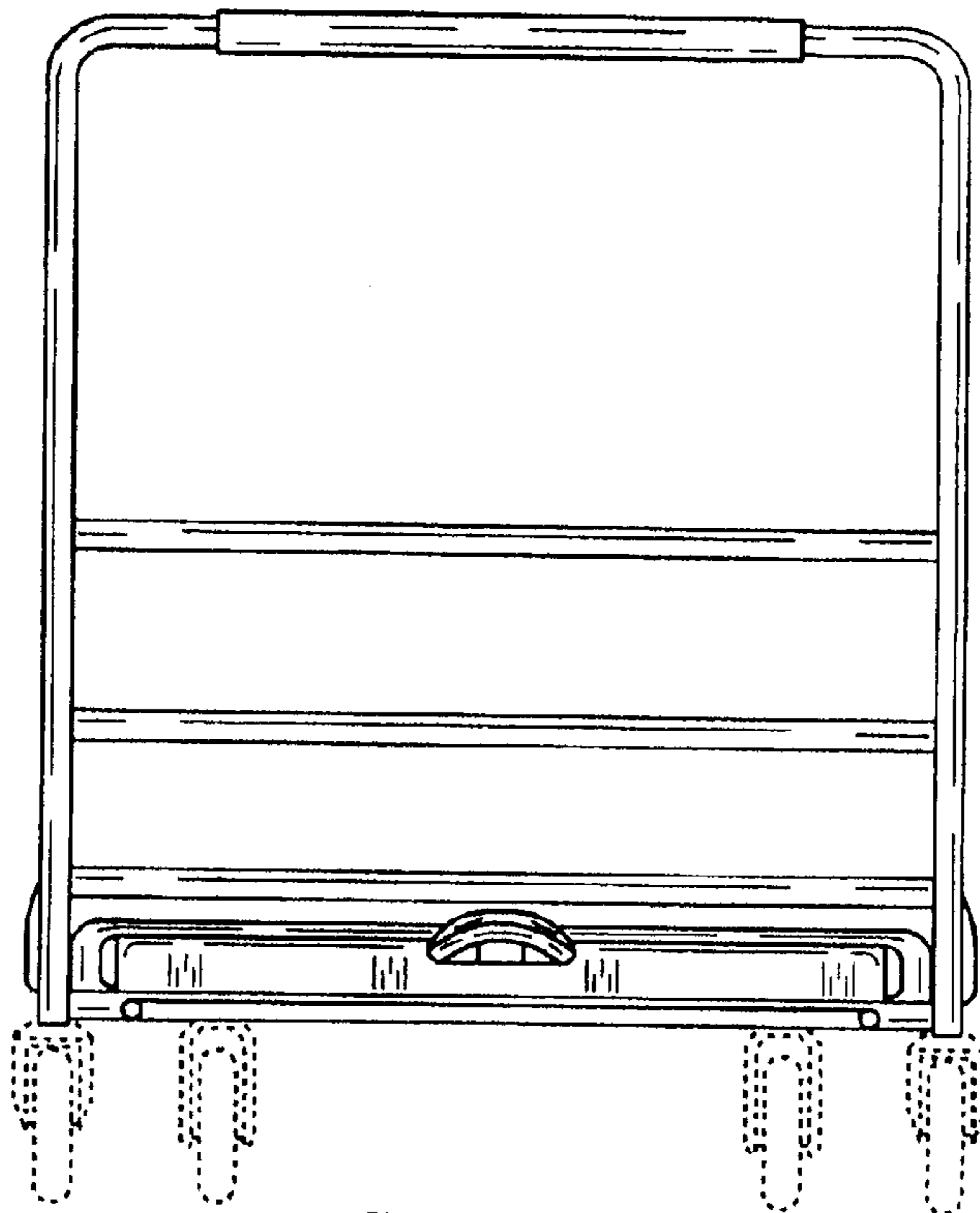
D396,918 S \* 8/1998 Golichowski et al. .... D34/12

**1 Claim, 3 Drawing Sheets**

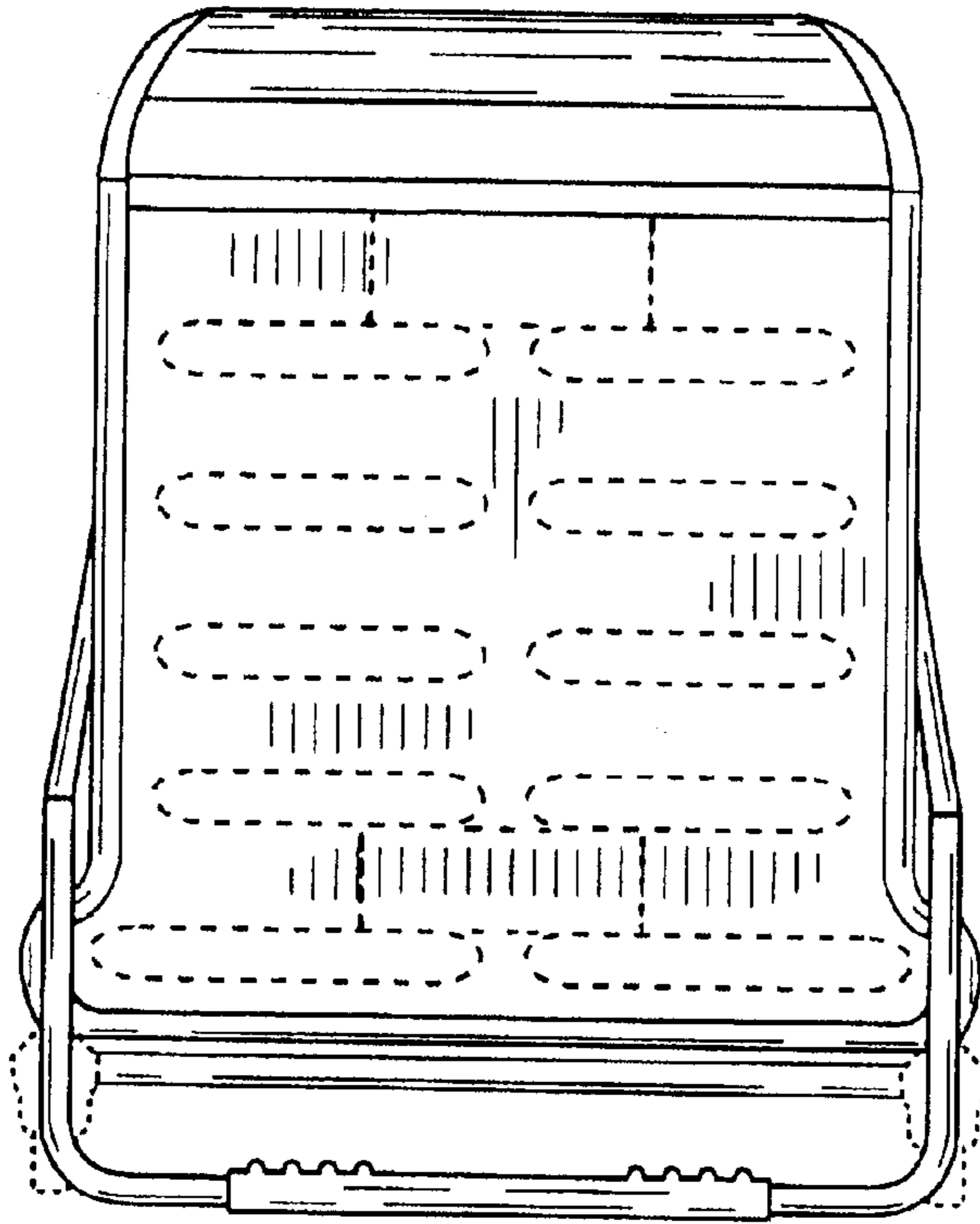




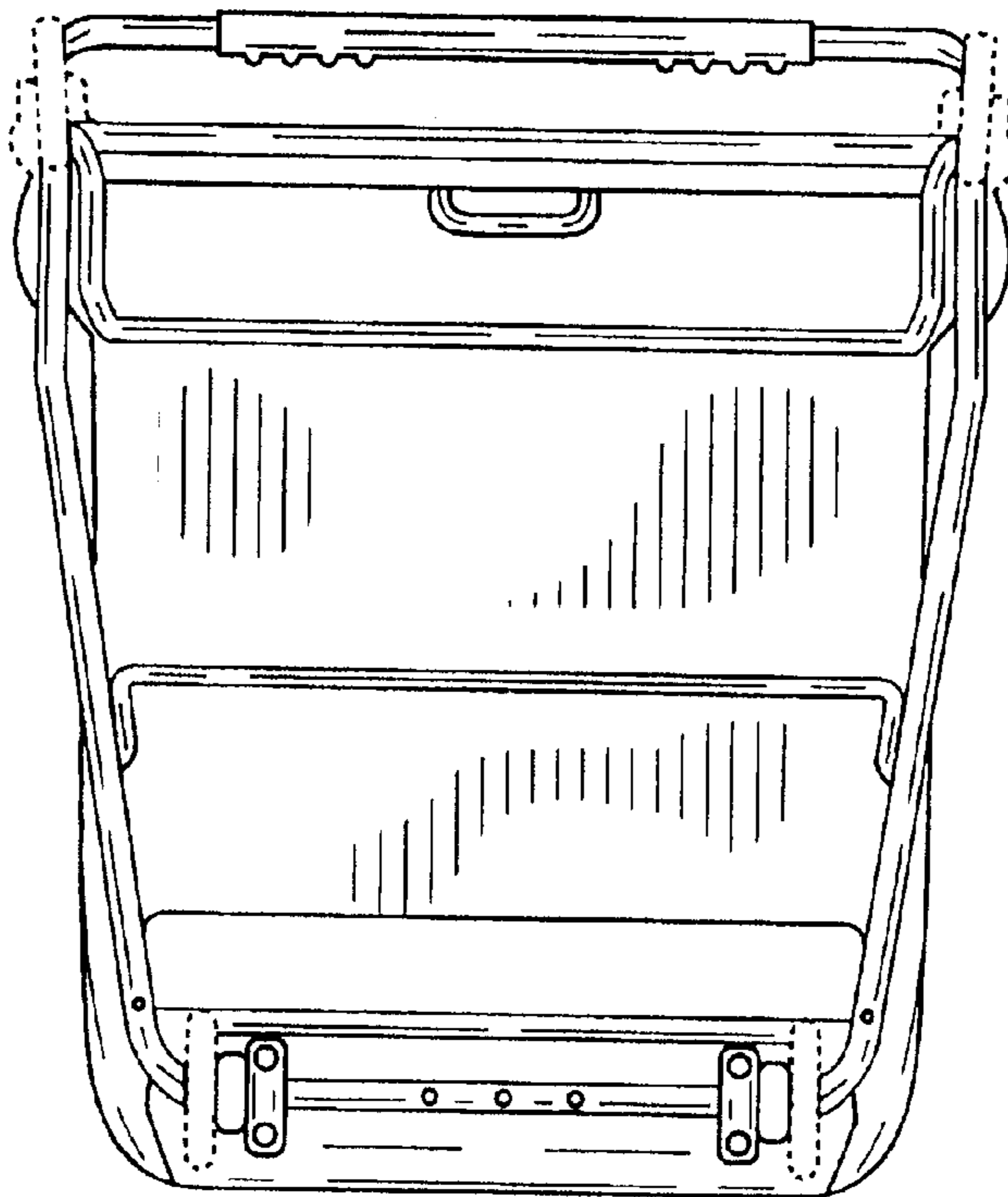
**FIG. 1**



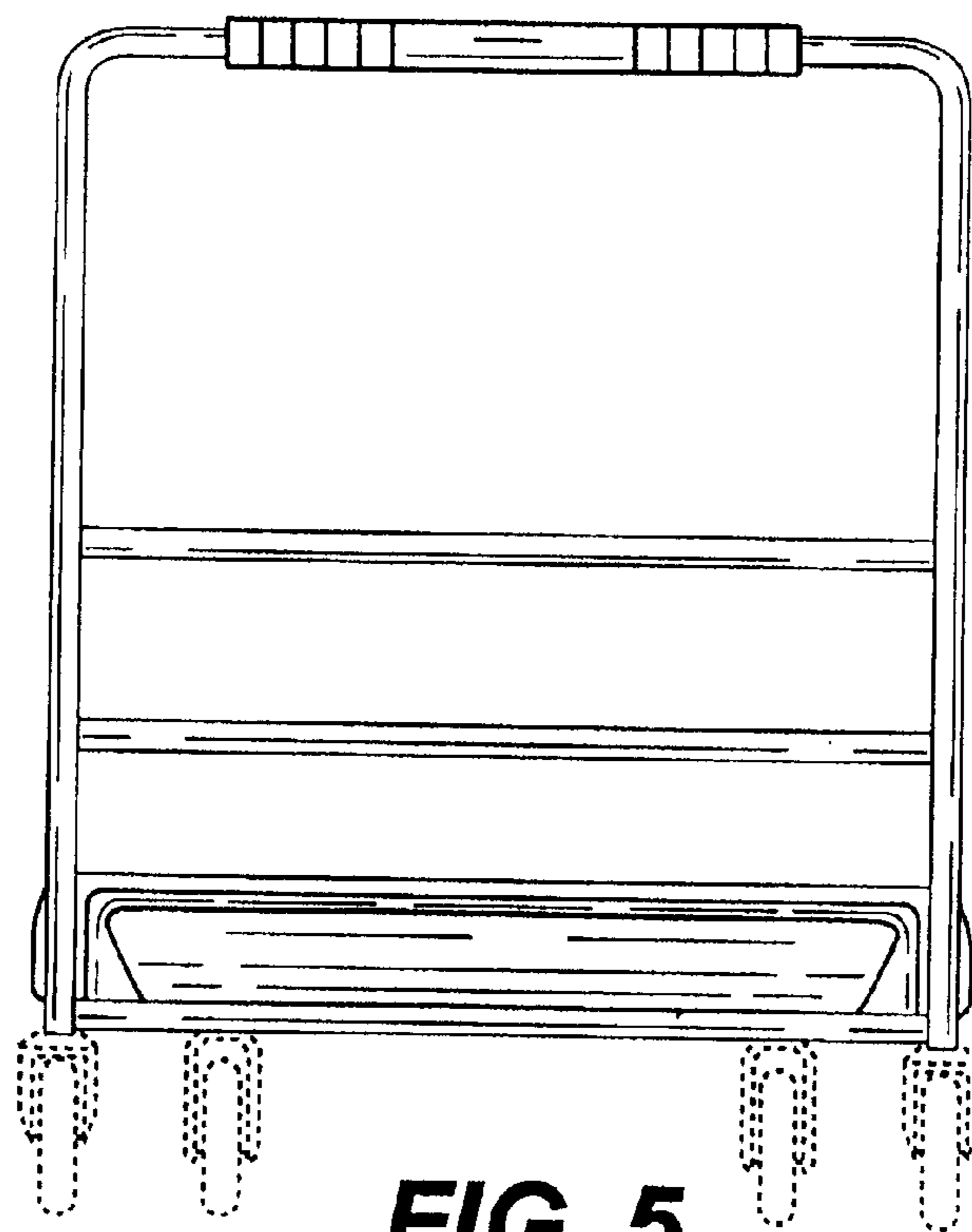
**FIG. 2**



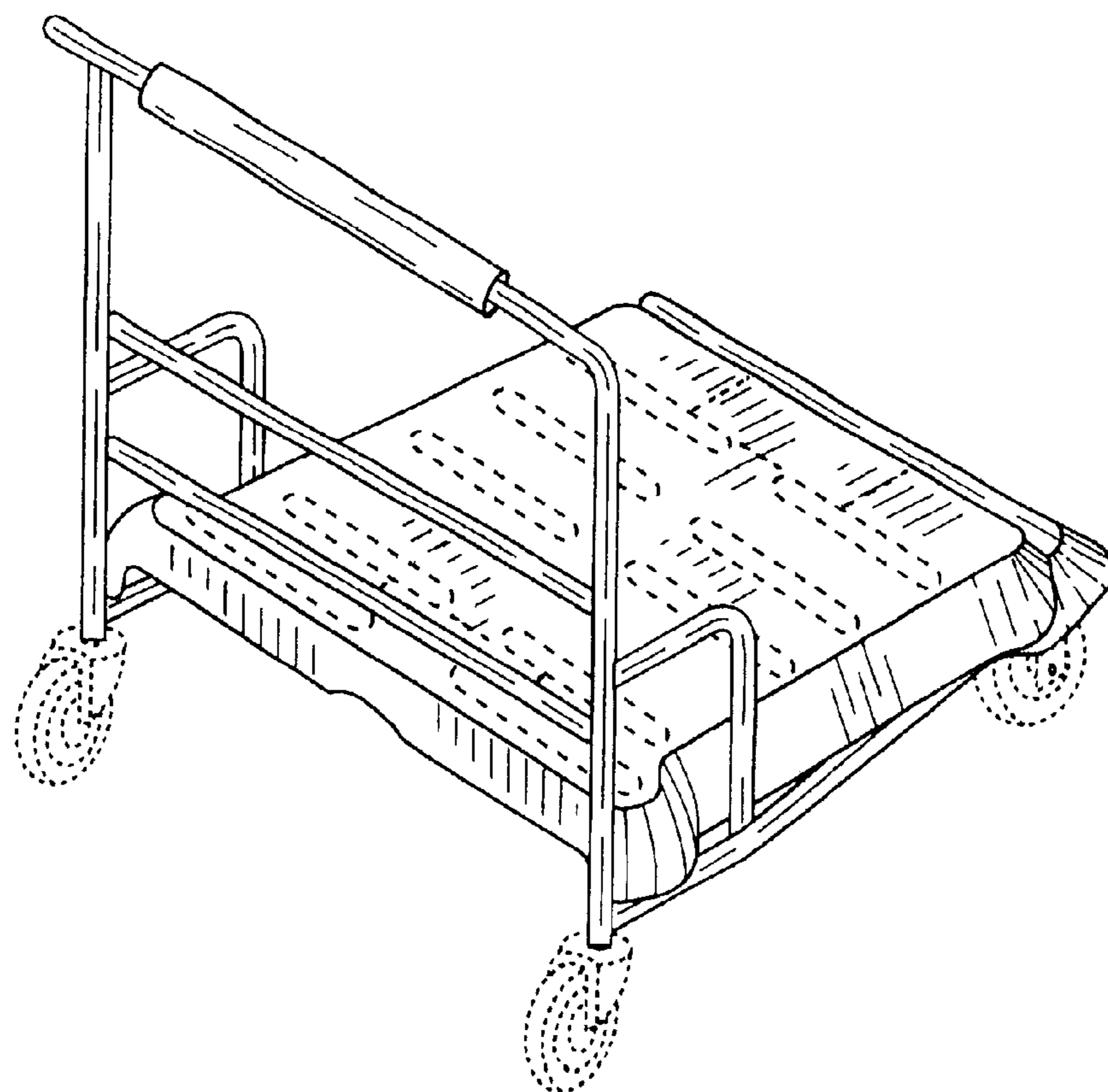
**FIG. 3**



**FIG. 4**



**FIG. 5**



**FIG. 6**