



US00D521706S

(12) **United States Design Patent**  
**Lin**

(10) **Patent No.:** **US D521,706 S**

(45) **Date of Patent:** **\*\* May 23, 2006**

(54) **TRASH CAN**

(76) **Inventor:** **Viktor Lin**, P.O. Box 26-757, Taipei  
106 (TW)

(\*\*) **Term:** **14 Years**

(21) **Appl. No.:** **29/209,989**

(22) **Filed:** **Jul. 26, 2004**

(51) **LOC (8) Cl.** ..... **09-09**

(52) **U.S. Cl.** ..... **D34/9**

(58) **Field of Classification Search** ..... D34/1,  
D34/7, 9; 220/908-913, 262-264

See application file for complete search history.

(56) **References Cited**

**U.S. PATENT DOCUMENTS**

D481,846 S	*	11/2003	Lin	.....	D34/9
D483,167 S	*	12/2003	Lin	.....	D34/7
D483,919 S	*	12/2003	Lin	.....	D34/7
D484,292 S	*	12/2003	Lin	.....	D34/7
D493,931 S	*	8/2004	Lin	.....	D34/9
D494,723 S	*	8/2004	Lin	.....	D34/9

D494,724 S	*	8/2004	Lin	.....	D34/9
D501,693 S	*	2/2005	Lin	.....	D34/9
D503,021 S	*	3/2005	Yang et al.	.....	D34/9
D509,036 S	*	8/2005	Lin	.....	D34/9

\* cited by examiner

*Primary Examiner*—Cynthia E. Ramirez

(74) *Attorney, Agent, or Firm*—Rosenberg, Klein & Lee

(57) **CLAIM**

The ornamental design for a “trash can,” as shown and described.

**DESCRIPTION**

FIG. 1 is a perspective view of a “trash can” showing my new design;

FIG. 2 is a front view thereof;

FIG. 3 is a rear view thereof;

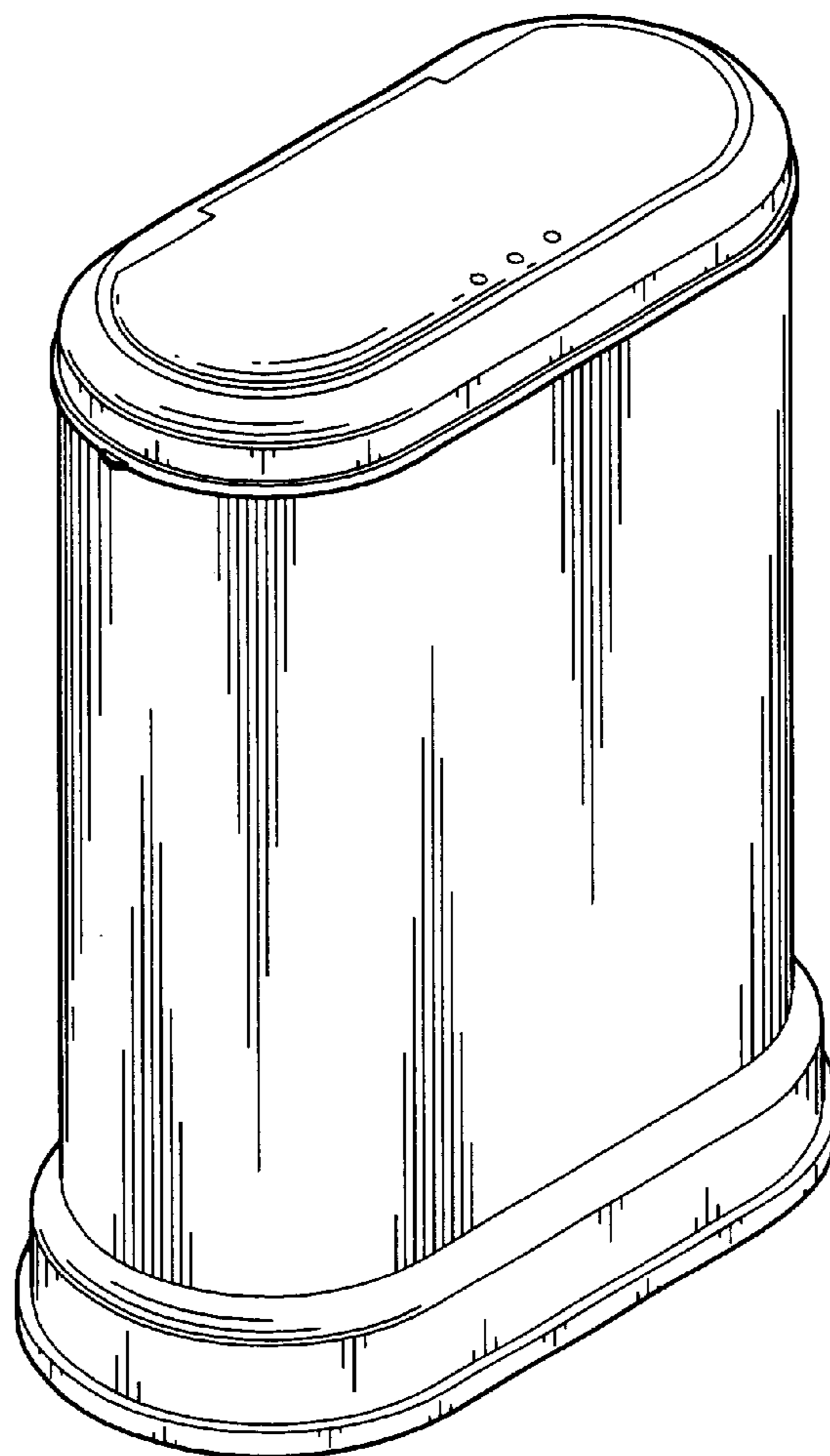
FIG. 4 is a left side view thereof;

FIG. 5 is a right side view thereof;

FIG. 6 is a top view thereof; and,

FIG. 7 is a bottom view thereof.

**1 Claim, 4 Drawing Sheets**



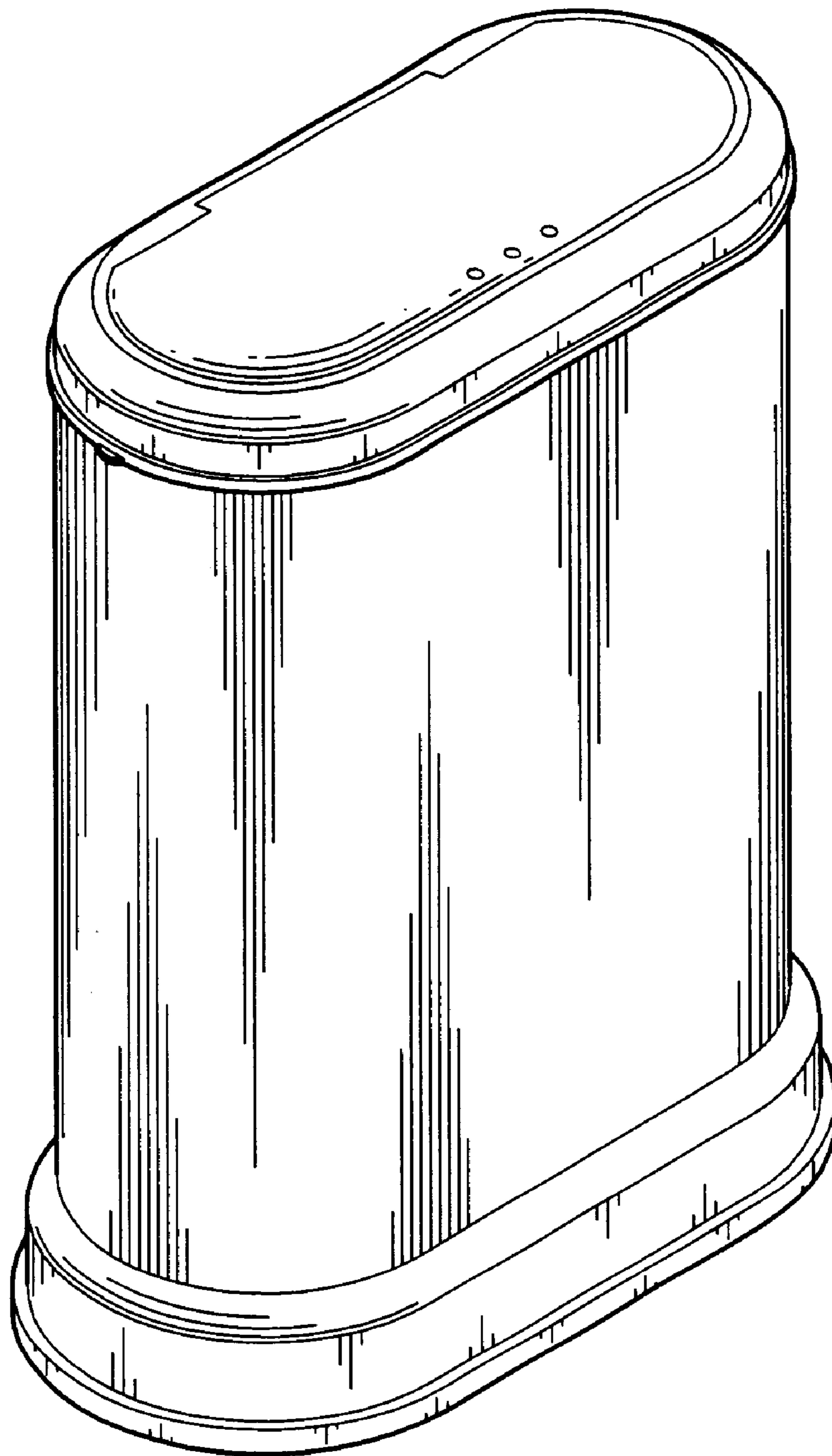


FIG. 1

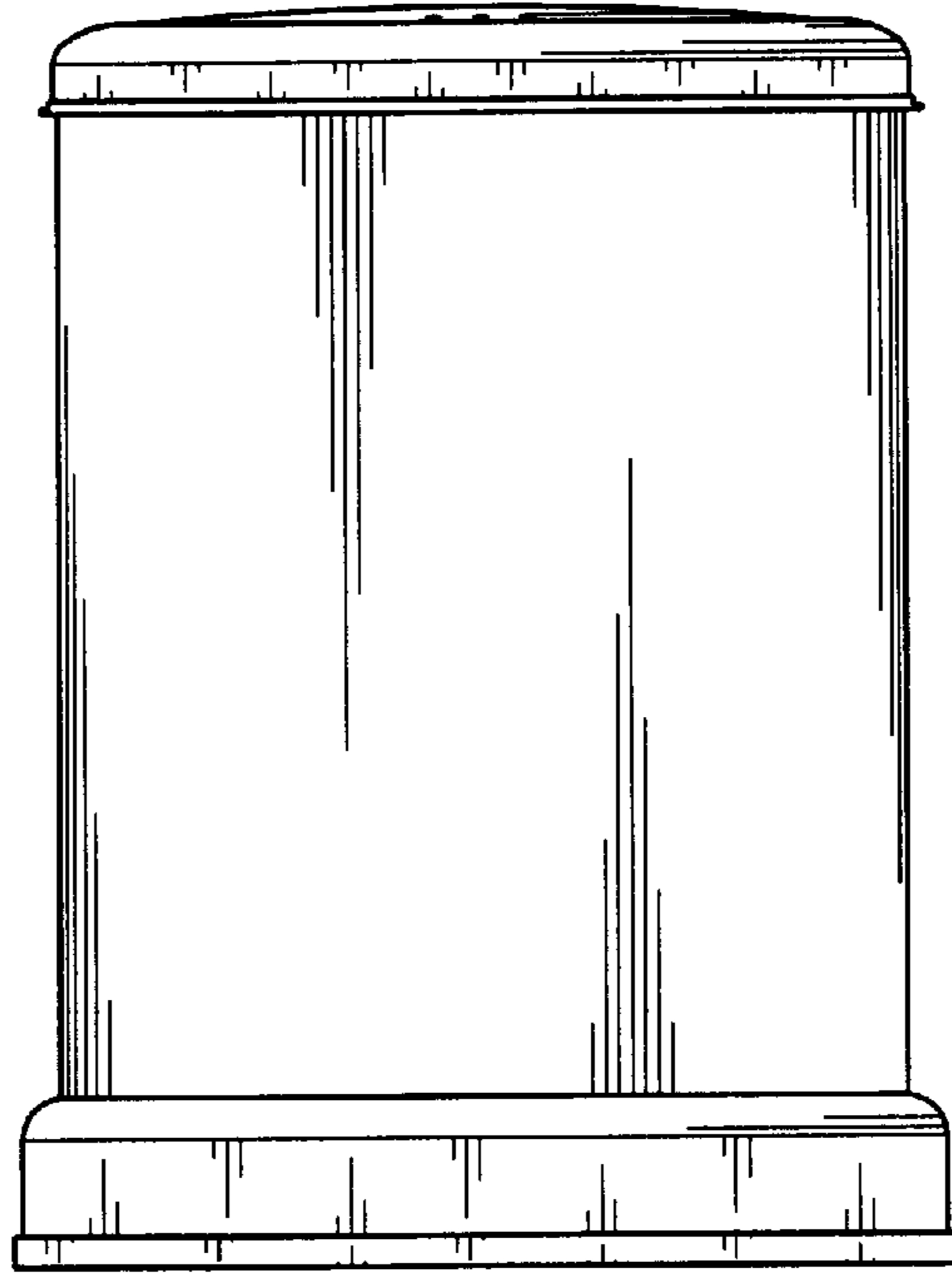


FIG. 2

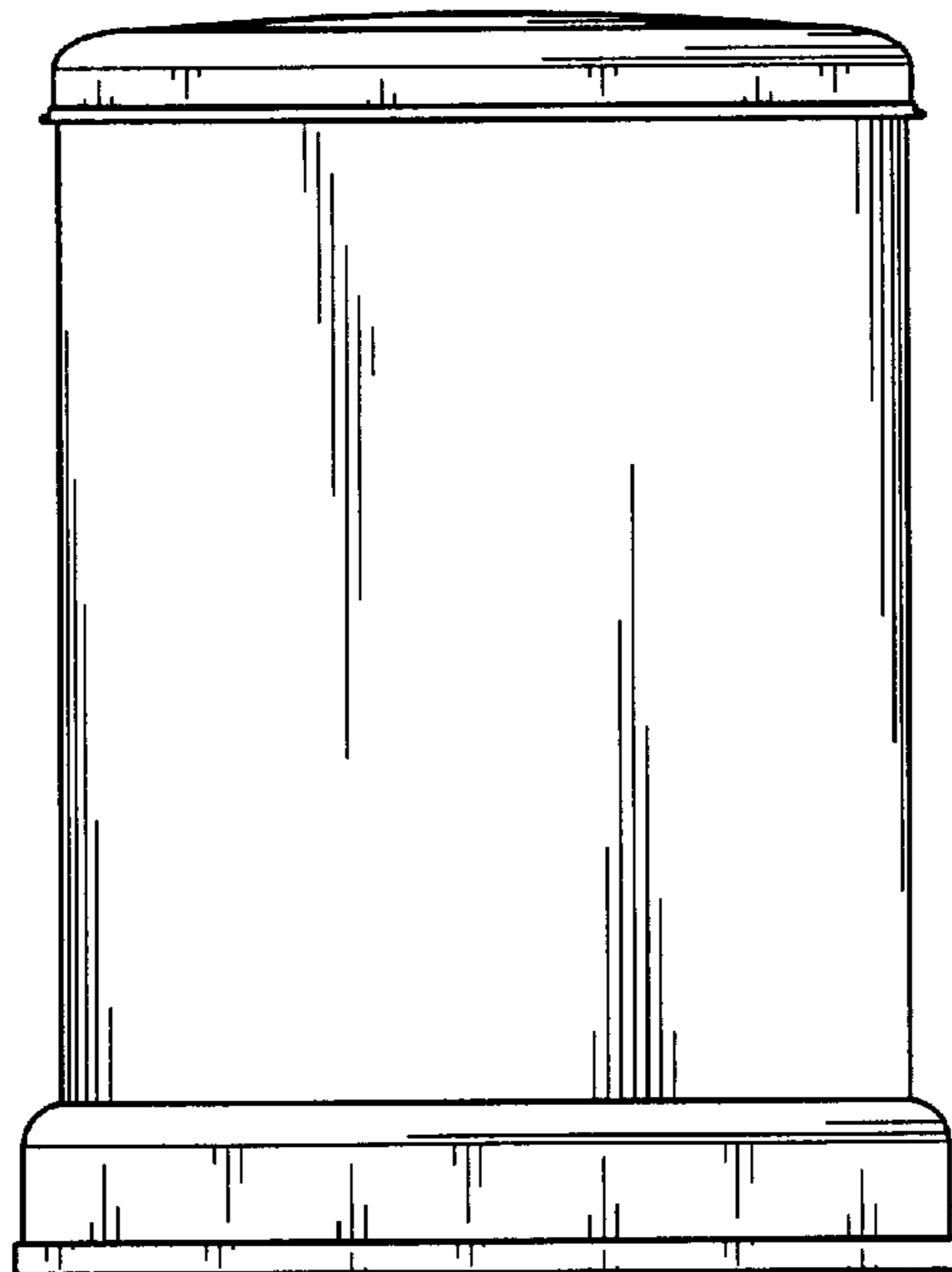


FIG. 3

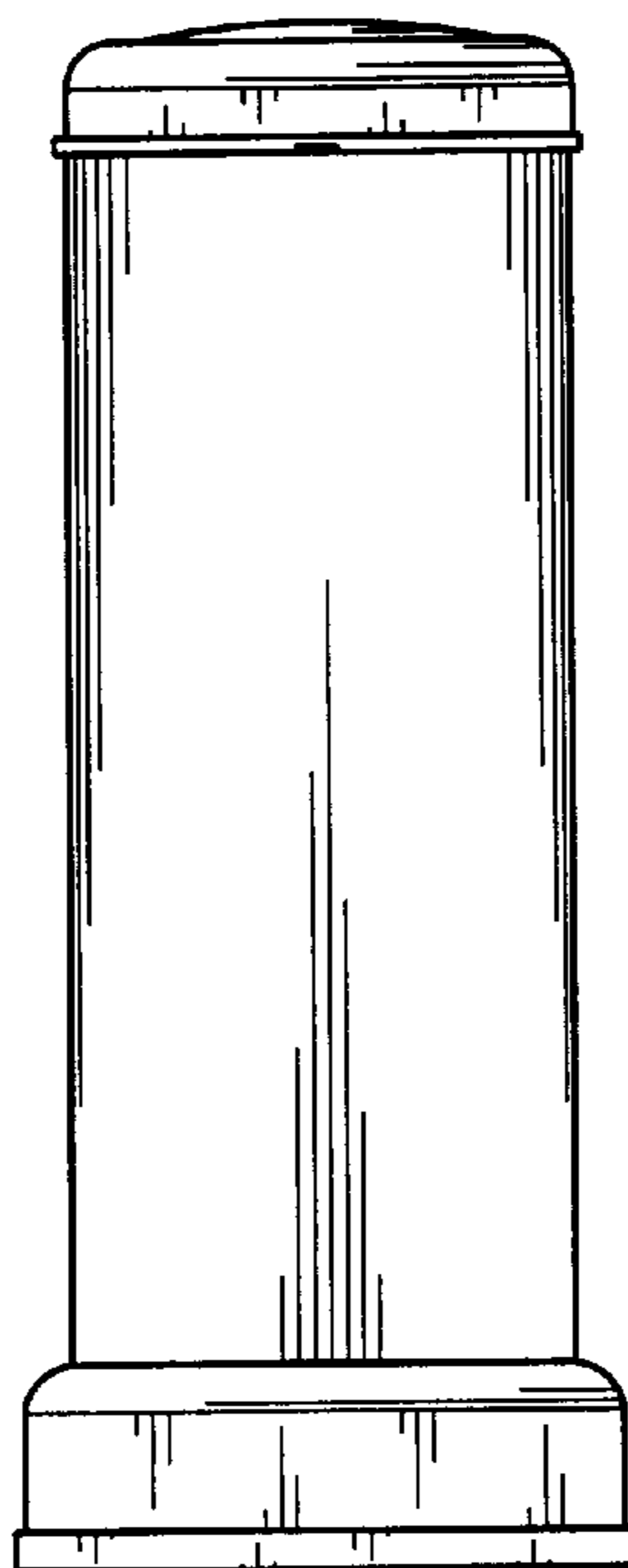


FIG. 4

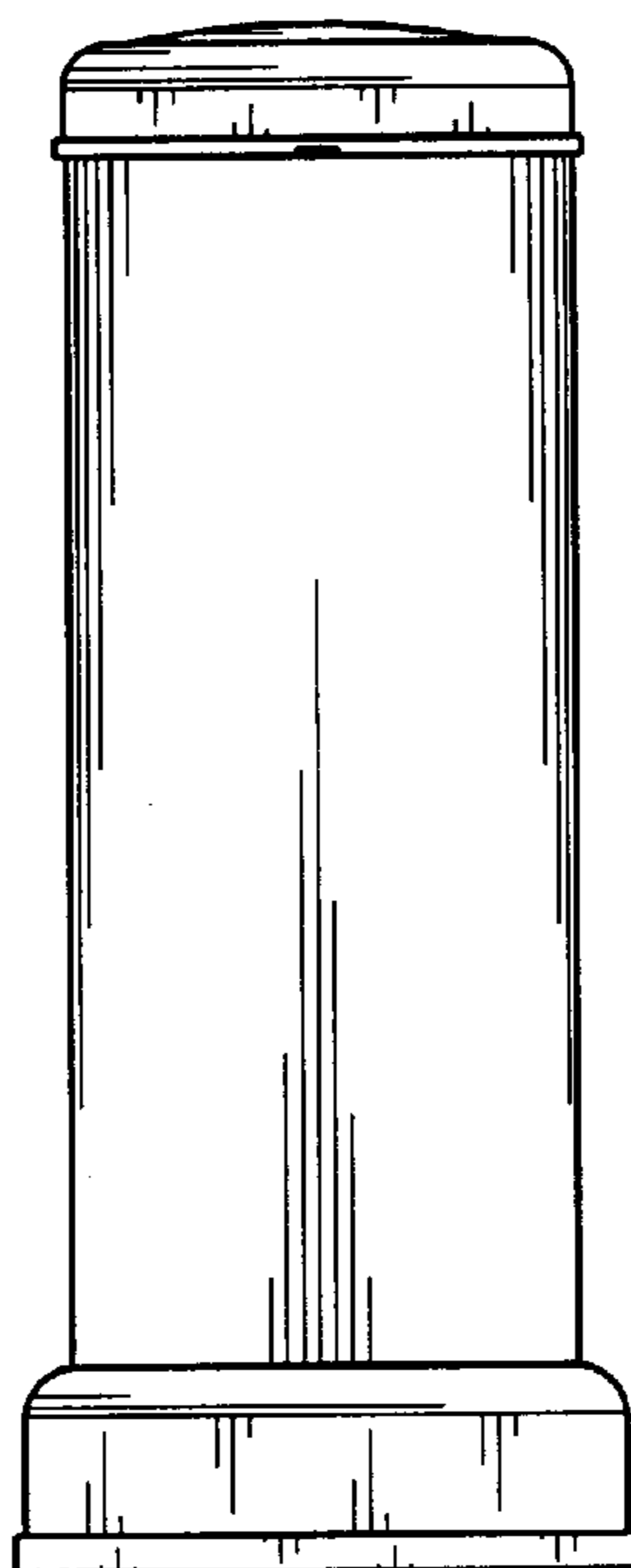


FIG. 5

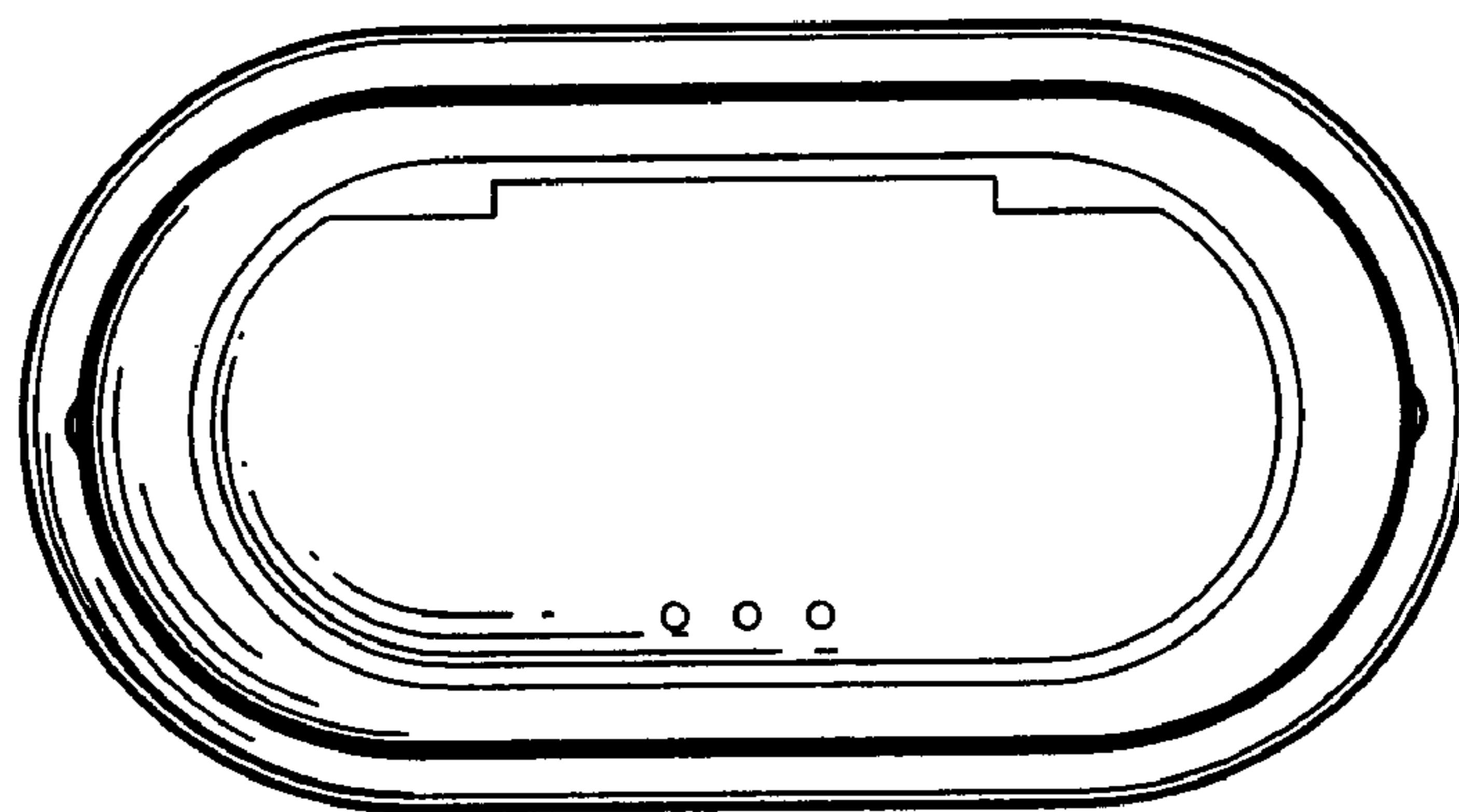


FIG. 6

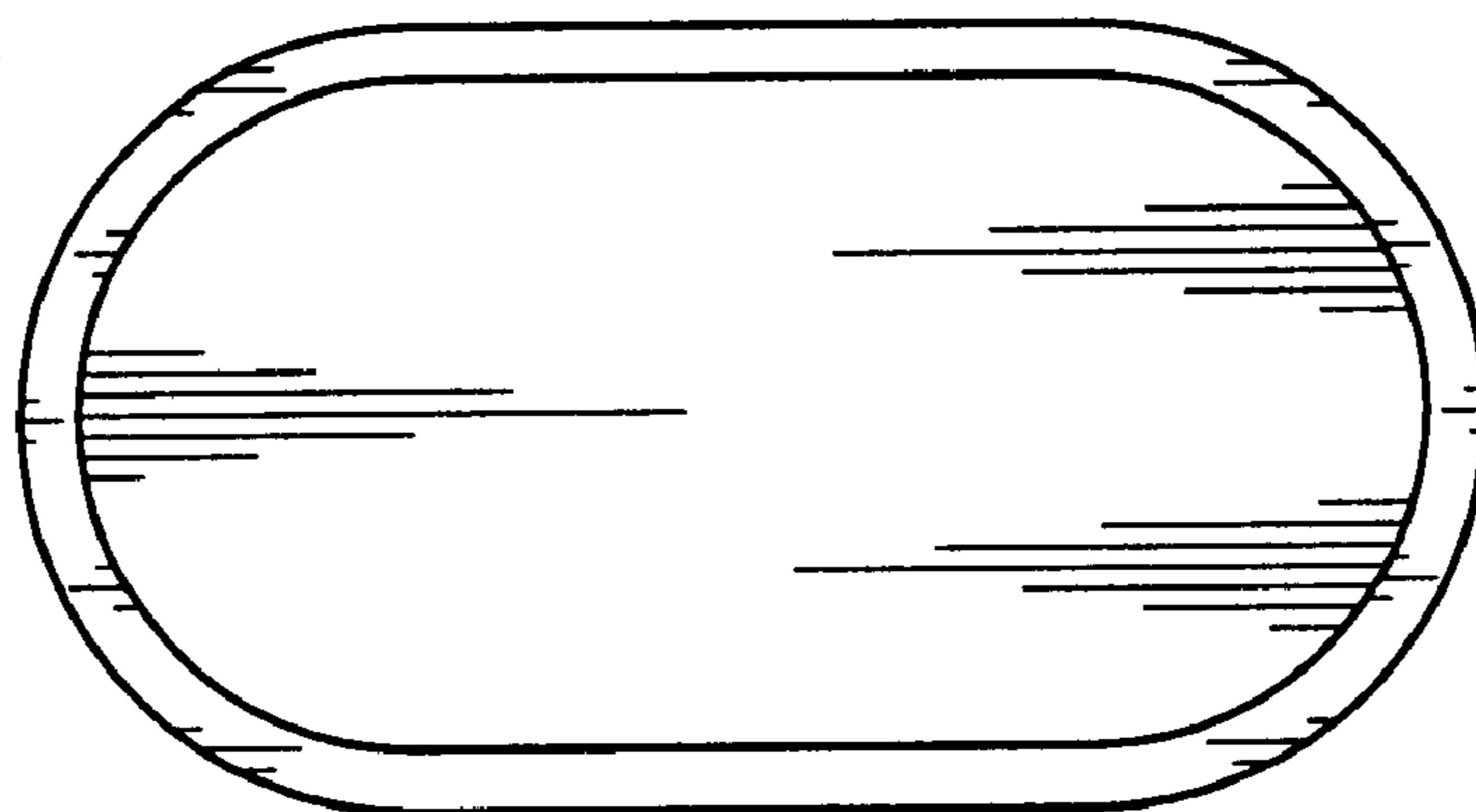


FIG. 7