



US00D521705S

(12) **United States Design Patent**
Kent

(10) **Patent No.:** **US D521,705 S**

(45) **Date of Patent:** **** May 23, 2006**

- (54) **PAINT BRUSH CLIP**
- (75) Inventor: **David Kent**, Santa Ana, CA (US)
- (73) Assignee: **Kenmont Industries LLC**, Irvine, CA (US)

- 4,991,803 A * 2/1991 Buder 248/113
- 5,033,704 A 7/1991 Kerr
- 5,083,733 A 1/1992 Marino et al.
- 5,085,386 A 2/1992 Hicks et al.
- D383,272 S * 9/1997 McDonald D32/54
- D465,525 S * 11/2002 Dilday D8/395 X

(**) Term: **14 Years**

* cited by examiner

(21) Appl. No.: **29/185,542**

Primary Examiner—Alan P. Douglas

Assistant Examiner—Lavone D. Tabor

(22) Filed: **Jun. 26, 2003**

(74) *Attorney, Agent, or Firm*—Calif Tervo; Polomar Patent

(51) **LOC (8) Cl.** **07-07**

(57) **CLAIM**

(52) **U.S. Cl.** **D32/54**

The ornamental design for a paint brush clip, as shown and described.

(58) **Field of Classification Search** D4/199;
D8/394, 395; D32/53, 53.1, 54; 211/65, 66;
220/694, 697, 699, 700, 735, 736; 248/110,
248/113, 309.4

DESCRIPTION

See application file for complete search history.

FIG. 1 is a rear perspective view of the paint brush clip of the present invention;
FIG. 2 is a front perspective view thereof;
FIG. 3 is a top plan view thereof;
FIG. 4 is a bottom plan view thereof;
FIG. 5 is a rear elevation view thereof;
FIG. 6 is a front elevation view thereof;
FIG. 7 is a side elevation view thereof; the opposite side being a mirror image; and,
FIG. 8 is a sectional view take along line 8—8 of FIG. 5.

(56) **References Cited**

U.S. PATENT DOCUMENTS

- 3,016,169 A 1/1962 Kirshenbaum
- 3,536,285 A 10/1970 Vaughn
- 3,729,158 A 4/1973 Nagy
- D241,312 S * 9/1976 McLintock et al. D8/395 X
- 4,101,046 A 7/1978 Puntillo
- 4,746,042 A 5/1988 King
- D308,936 S * 7/1990 Arner D8/395

1 Claim, 2 Drawing Sheets

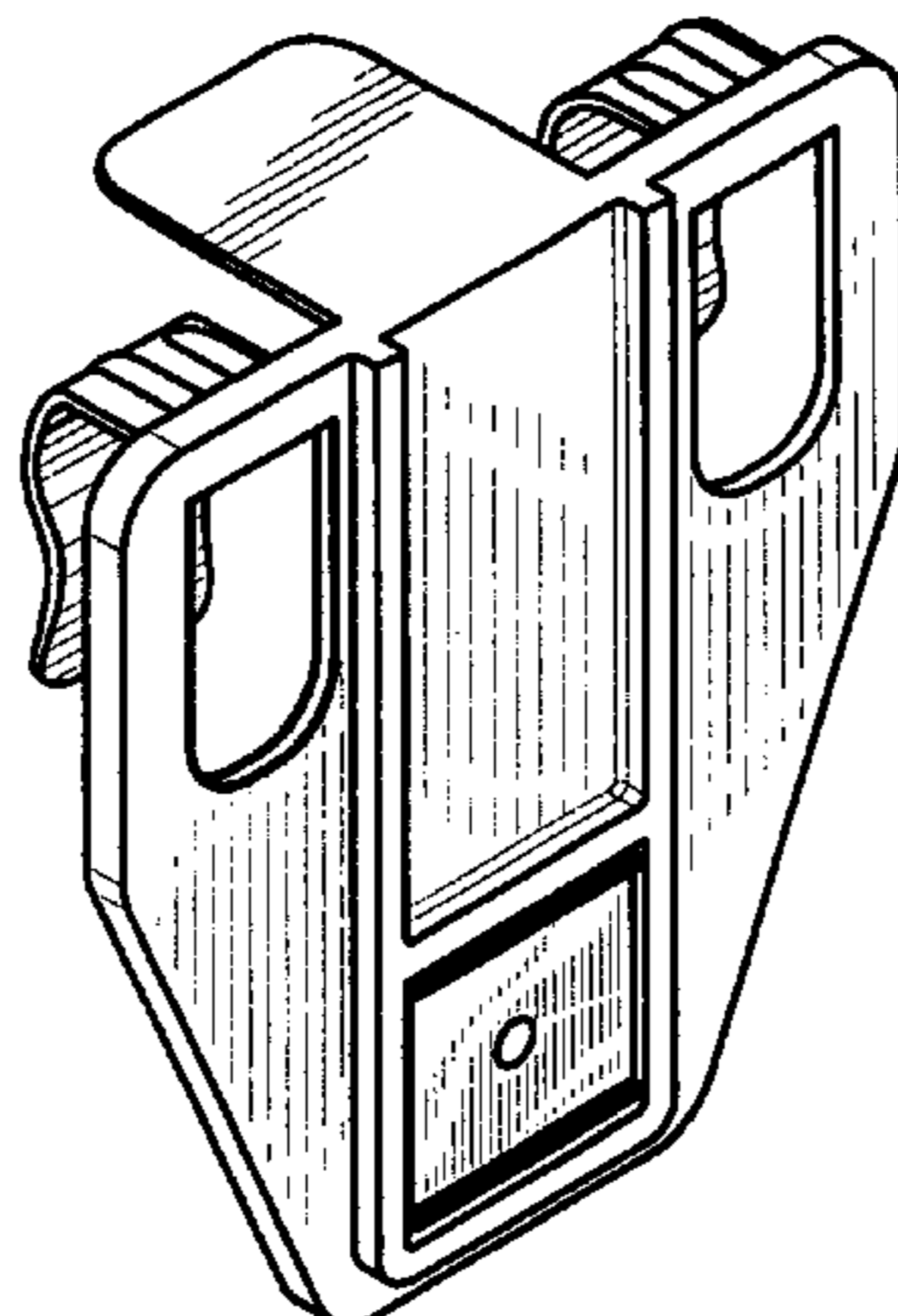
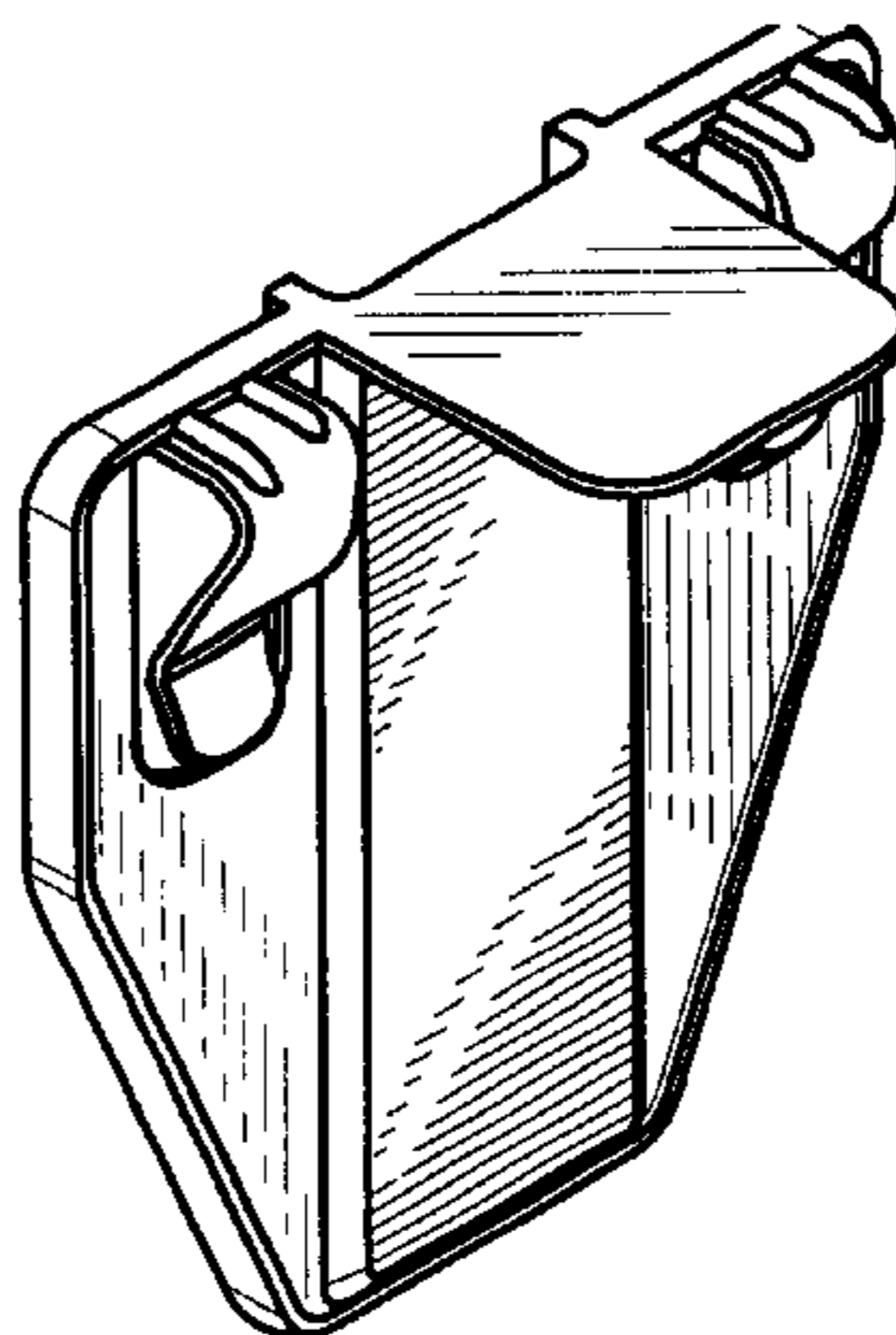


FIG. 1

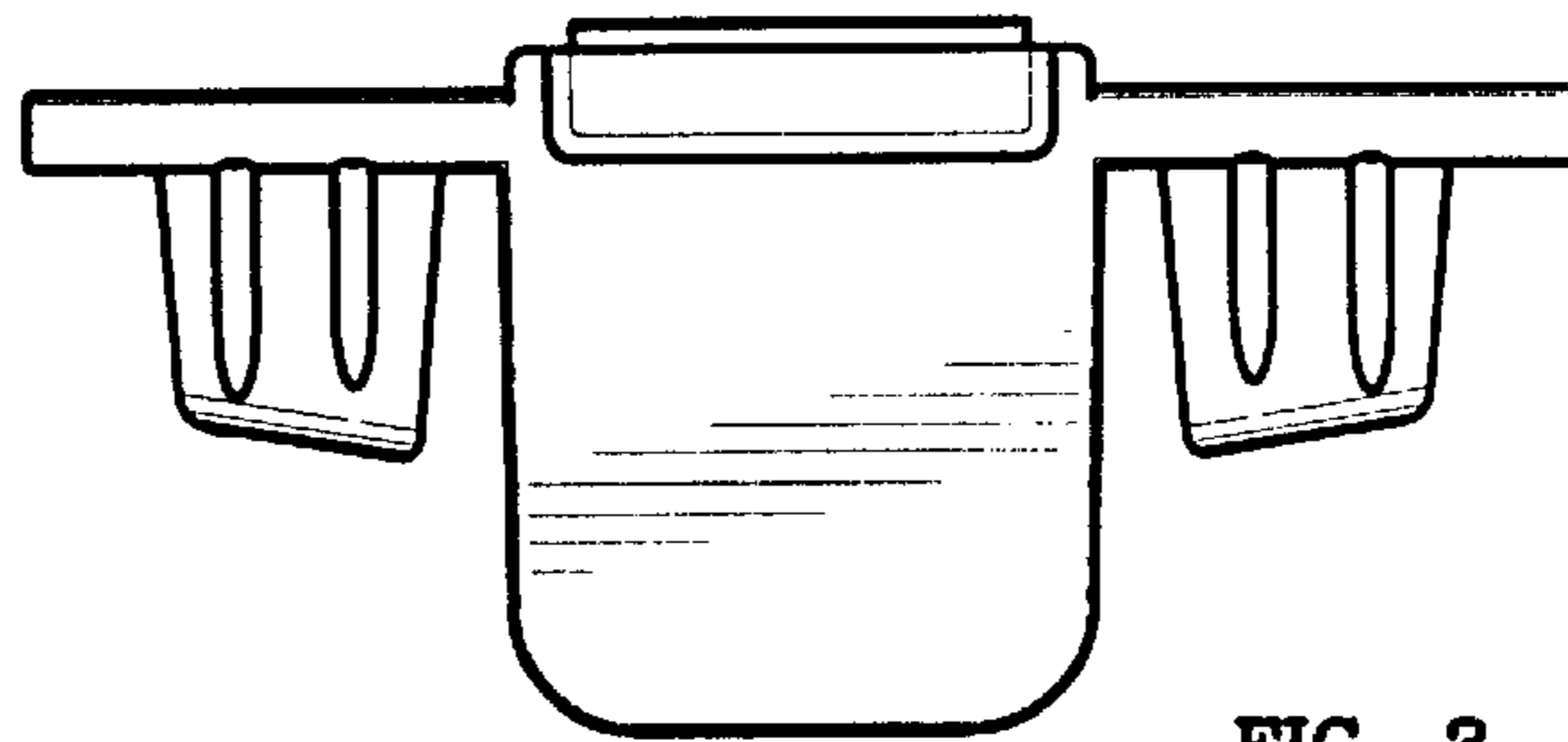
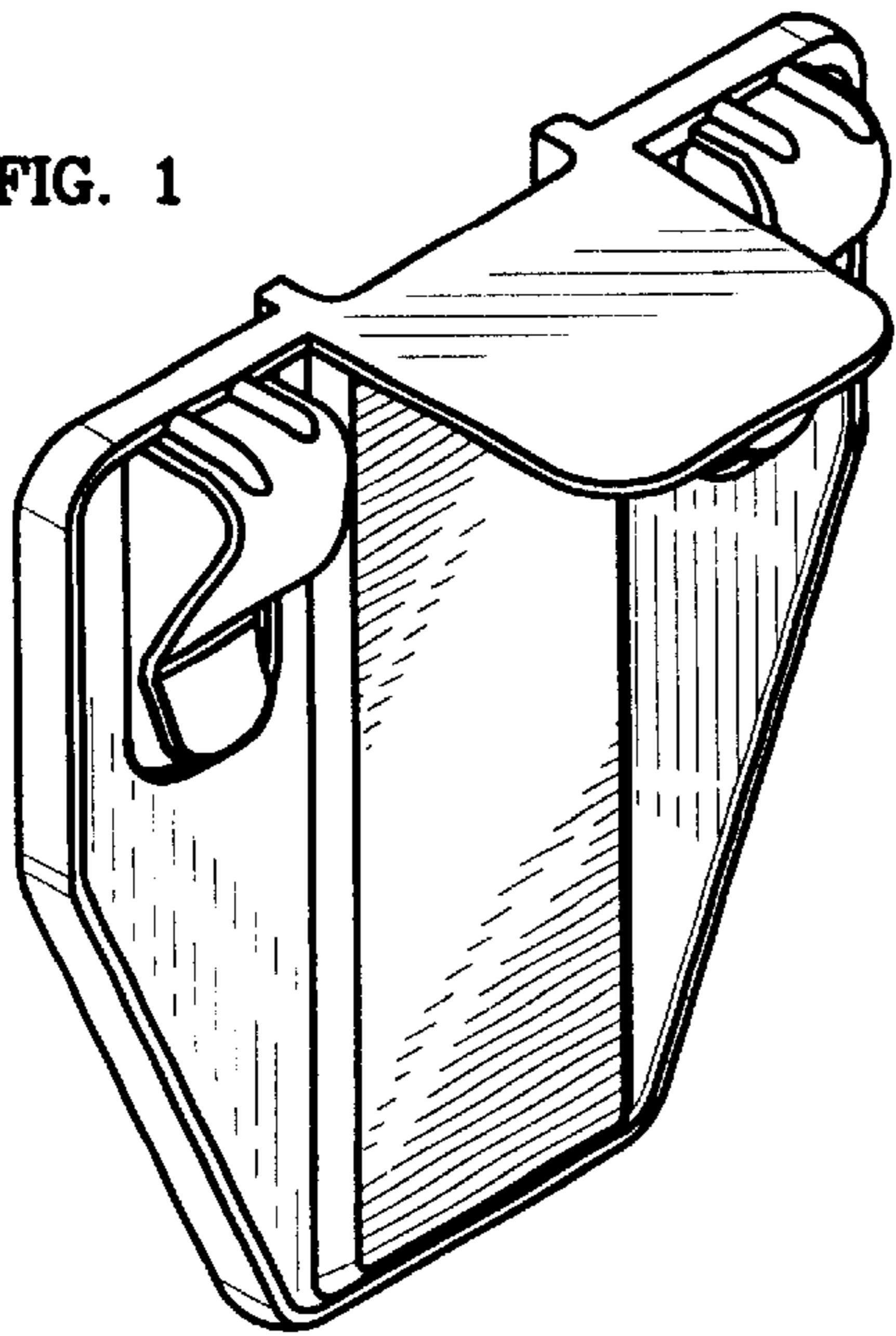


FIG. 3

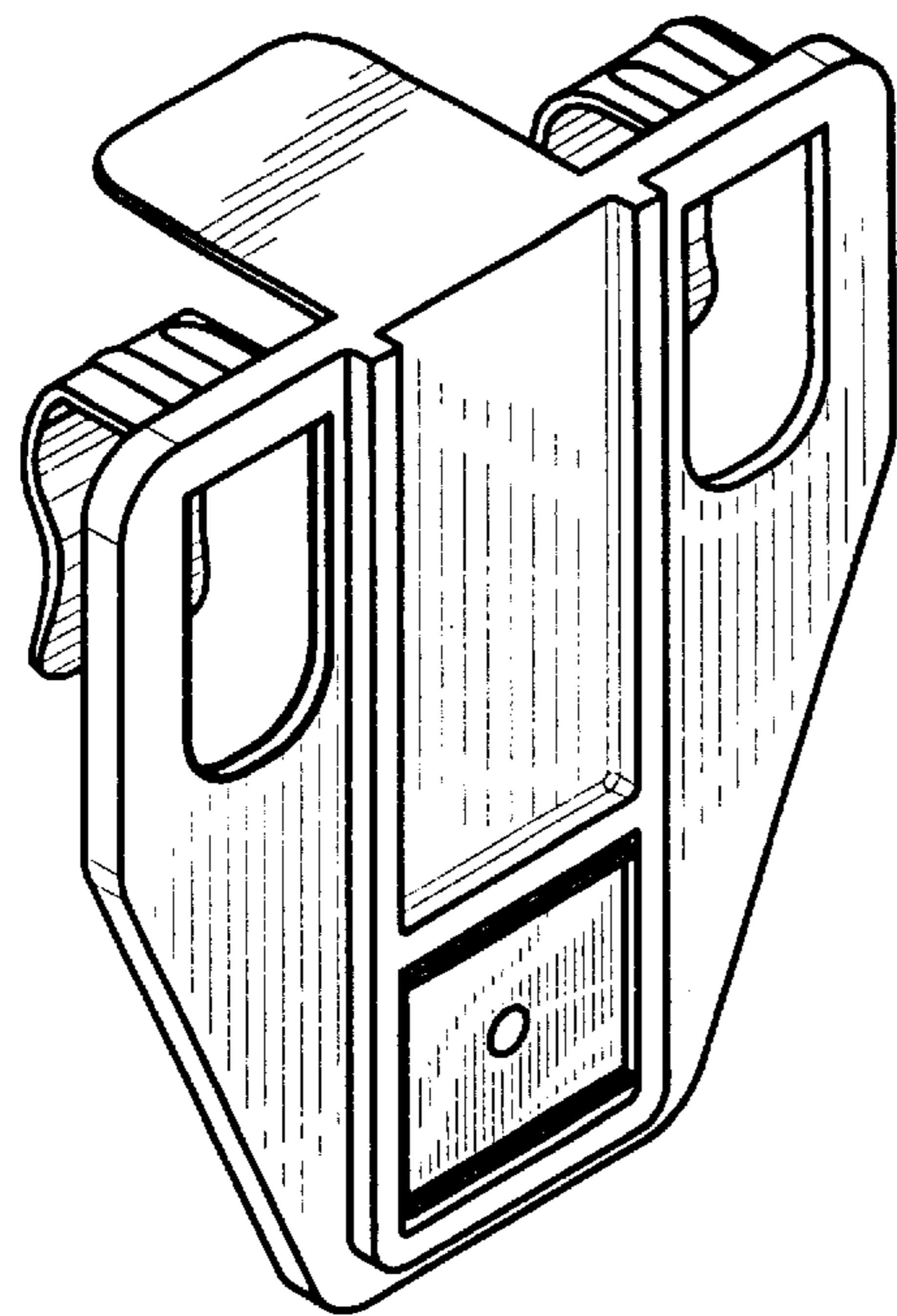


FIG. 2

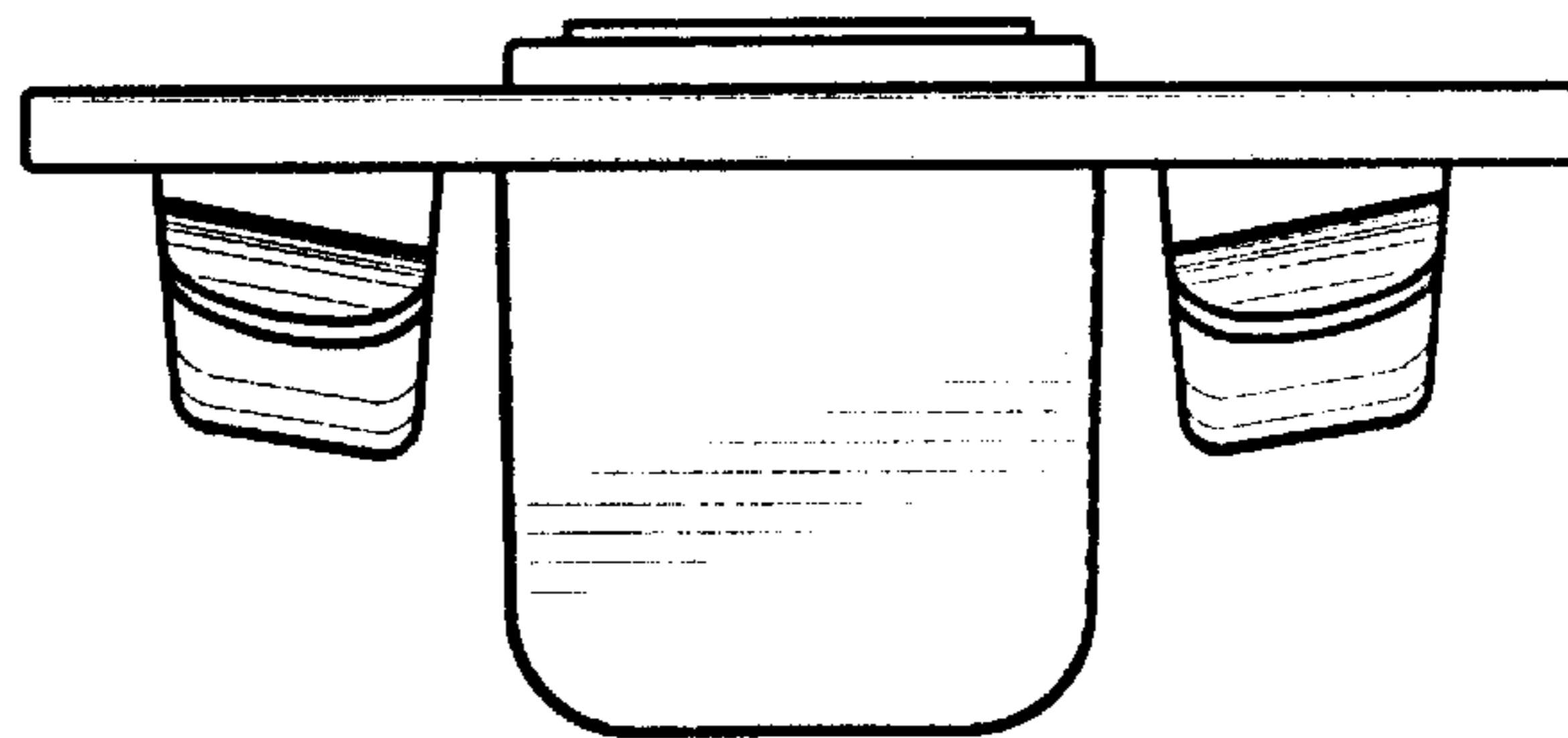


FIG. 4

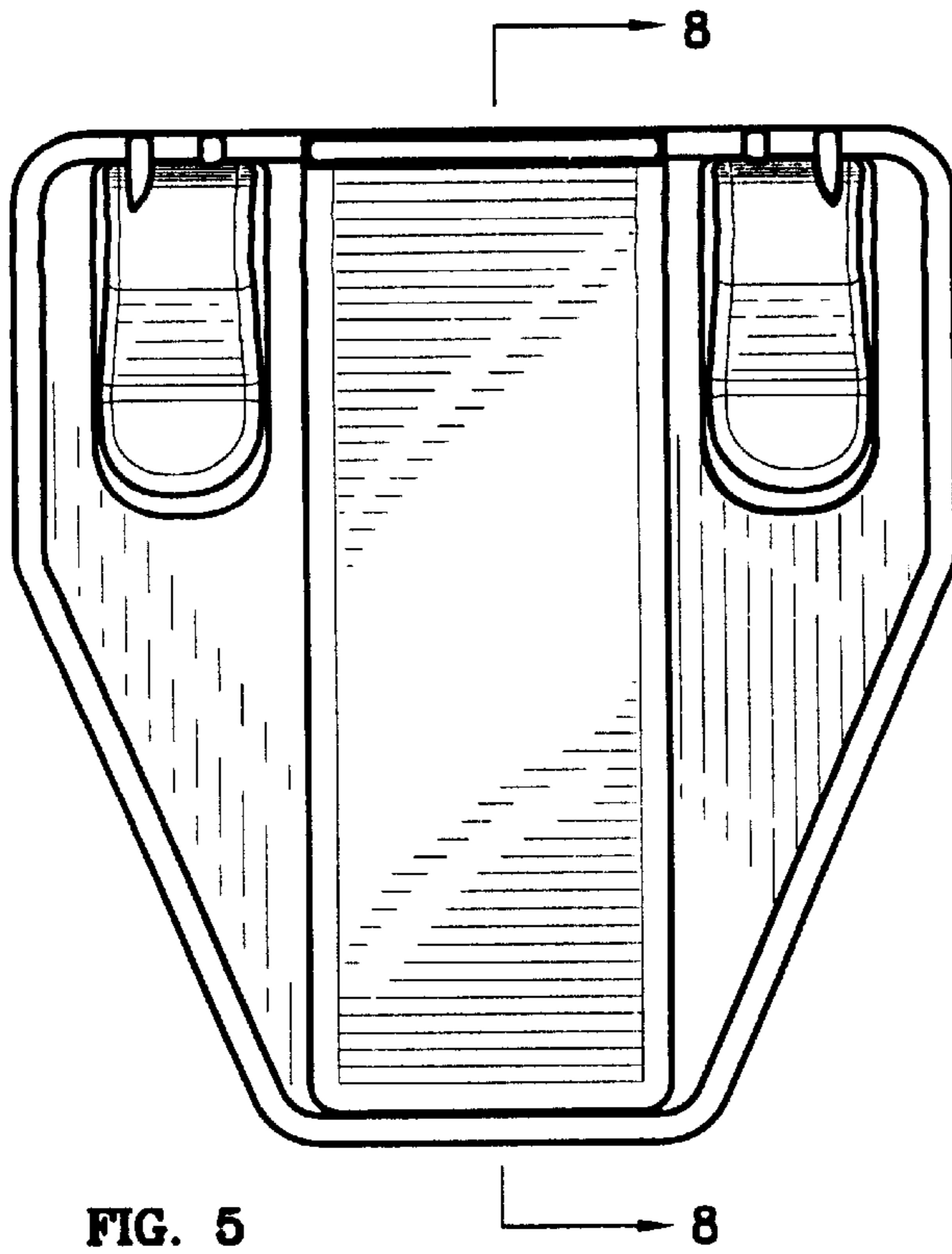


FIG. 5

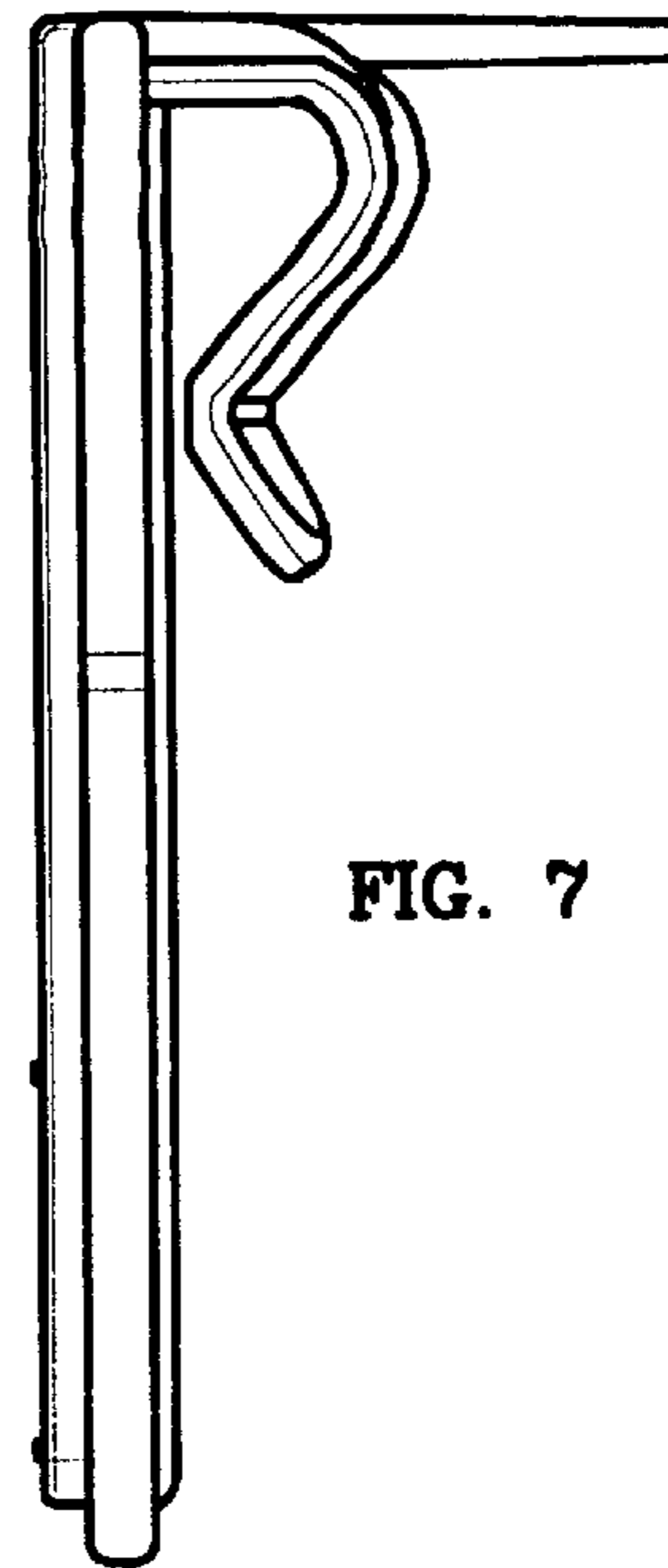


FIG. 7

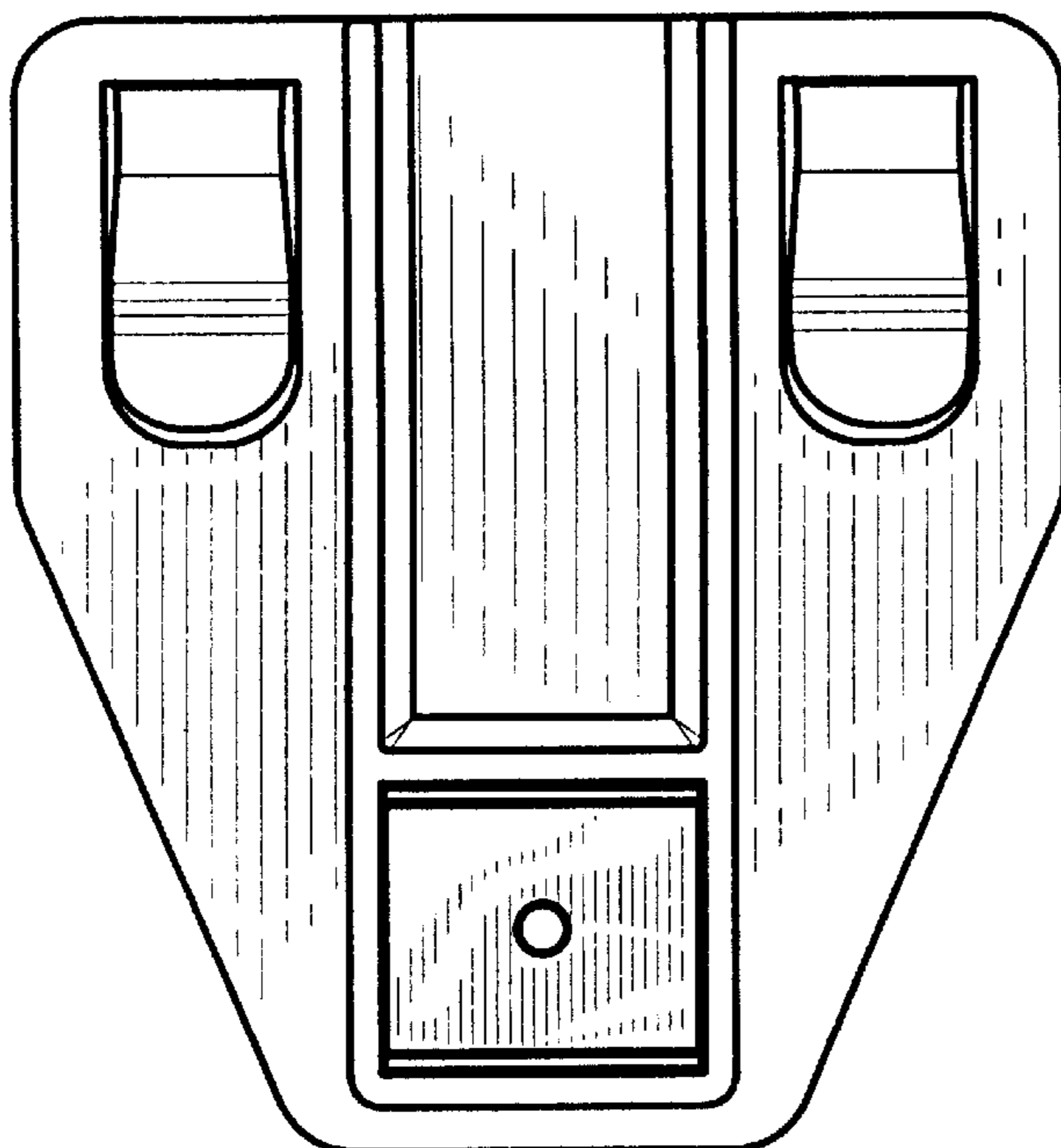


FIG. 6

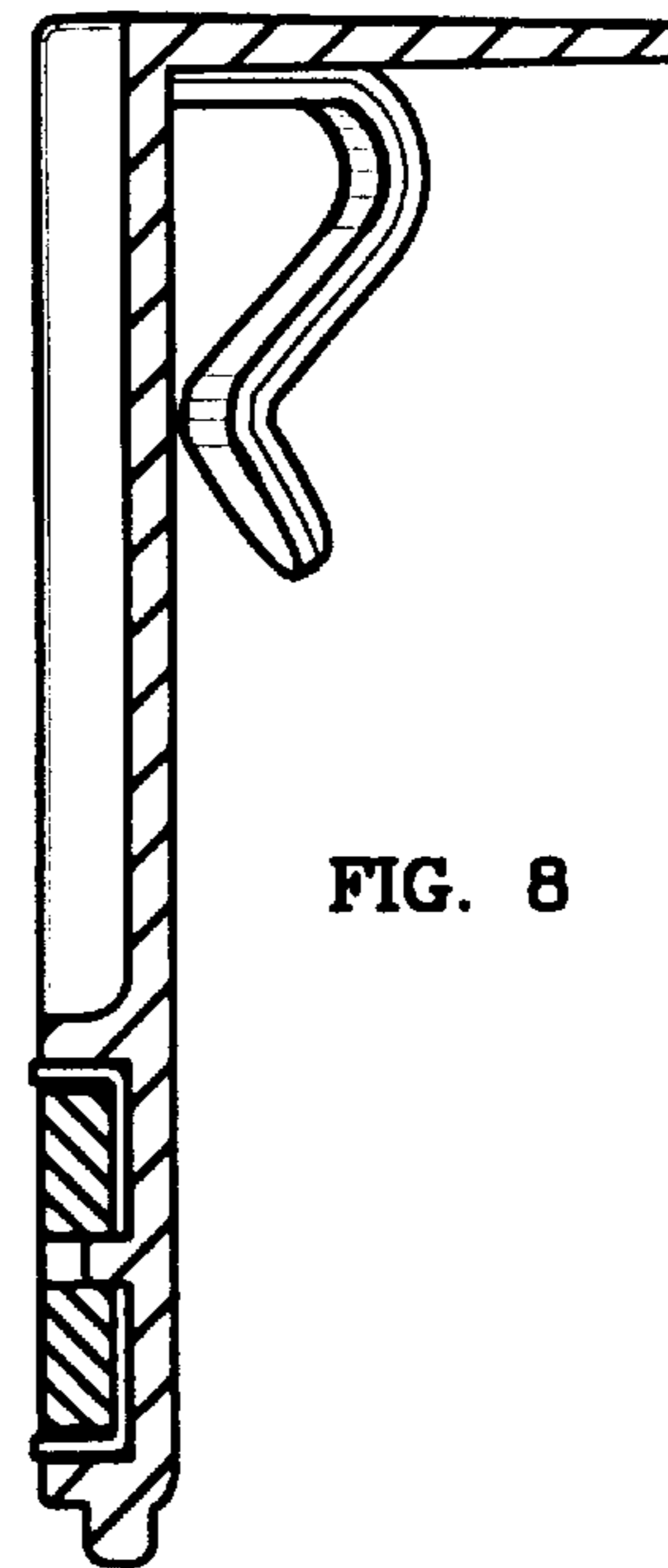


FIG. 8