



US00D521702S

(12) **United States Design Patent**
No et al.

(10) **Patent No.:** **US D521,702 S**

(45) **Date of Patent:** **** May 23, 2006**

(54) **CABINET FOR DRUM TYPE WASHING MACHINE**

(75) Inventors: **Yang Hwan No**, Gyeongsangnam-do (KR); **Han Ki Cho**, Gyeongsangnam-do (KR); **Young IL Kim**, Incheon (KR); **Bo Won Suh**, Gyeonggi-do (KR)

(73) Assignee: **LG Electronics Inc.**, Seoul (KR)

(**) Term: **14 Years**

(21) Appl. No.: **29/229,445**

(22) Filed: **May 9, 2005**

(30) **Foreign Application Priority Data**

Nov. 10, 2004 (KR) 30-2004-0034293

(51) **LOC (8) Cl.** **15-05**

(52) **U.S. Cl.** **D32/25**

(58) **Field of Classification Search** D32/15, D32/6, 10, 8, 25, 1, 3, 2, 12; D6/445, 446, D6/510; 312/109, 351.2, 330.1; 134/135, 134/56 D, 57 D; 137/374; 15/DIG. 7; 68/3 R
See application file for complete search history.

(56) **References Cited**

U.S. PATENT DOCUMENTS

4,243,197 A * 1/1981 Wright 248/678
D456,571 S * 4/2002 Richardson D32/2
D466,725 S * 12/2002 Masciale D6/449

D474,566 S * 5/2003 Baldwin et al. D32/25
D502,812 S * 3/2005 Zimmerman D3/297
2004/0245899 A1 * 12/2004 Cho 312/351.2
2004/0263032 A1 * 12/2004 Cho 312/330.1

* cited by examiner

Primary Examiner—Louis S. Zarfes

Assistant Examiner—Kathleen Sims

(74) *Attorney, Agent, or Firm*—Birch Stewart Kolasch & Birch LLP

(57) **CLAIM**

The ornamental design for a cabinet for drum type washing machine, as shown and described.

DESCRIPTION

FIG. 1 is a perspective view of a cabinet for drum type washing machine showing my (our) new design;

FIG. 2 is a front view thereof;

FIG. 3 is a rear view thereof;

FIG. 4 is a left side view thereof where the right side view is a mirror image;

FIG. 5 is a top plan view thereof;

FIG. 6 is a bottom plan view thereof; and,

FIG. 7 is a front view showing an example of the usage of the subject design.

The broken line showing of a cabinet for drum type washing machine is for illustrative purposes only and forms no part of the claimed design.

1 Claim, 5 Drawing Sheets

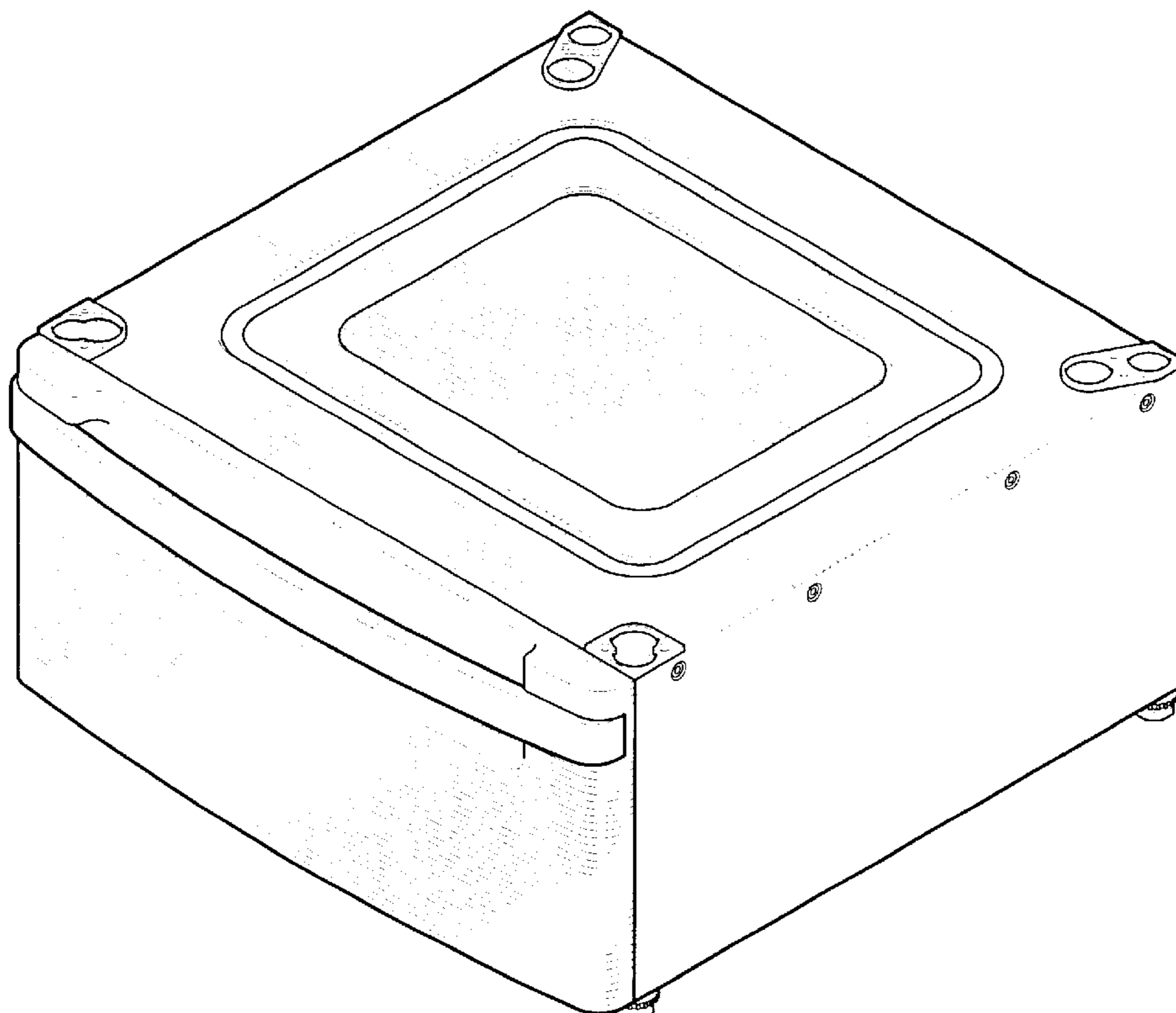


FIG. 1

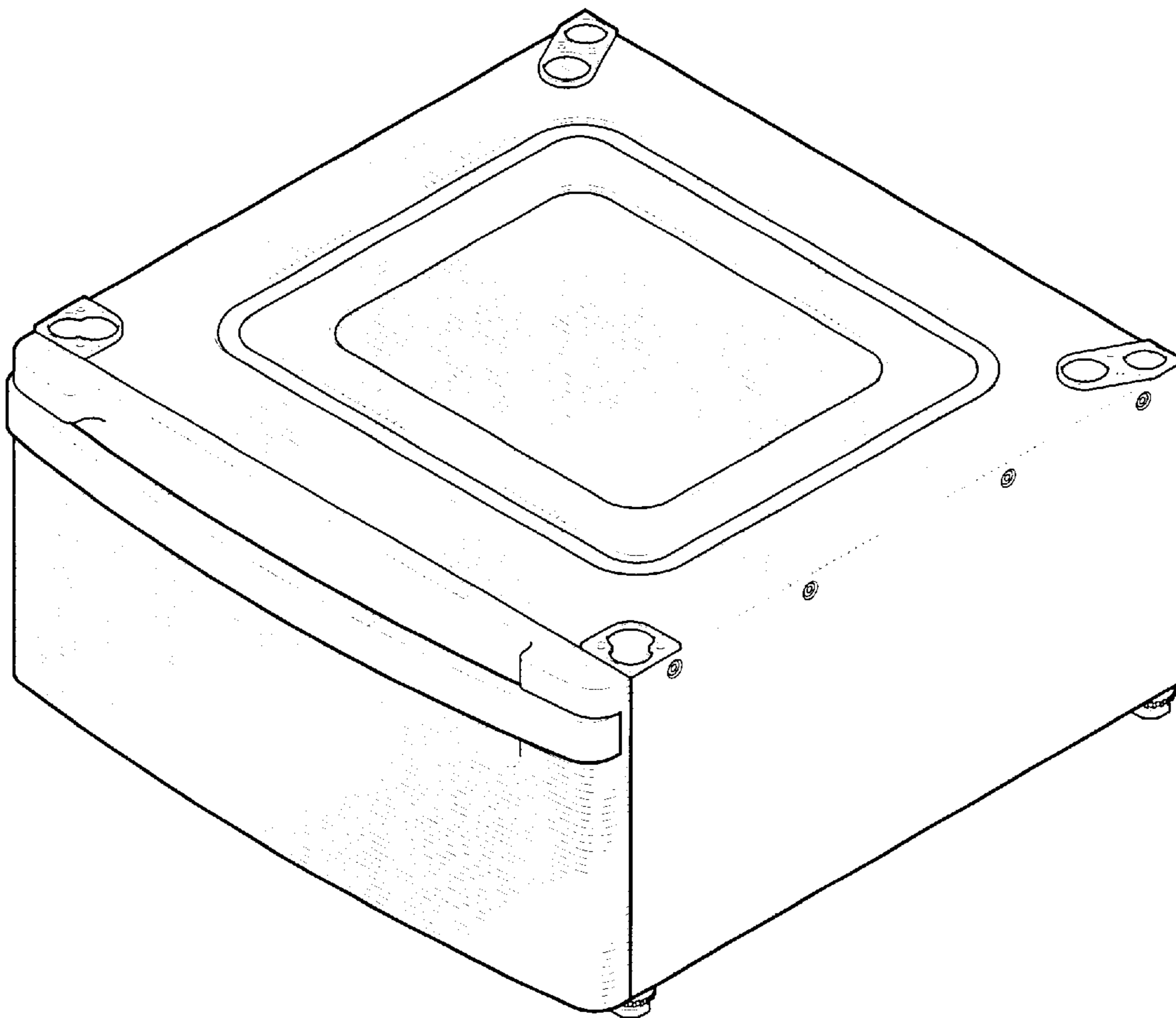


FIG. 2

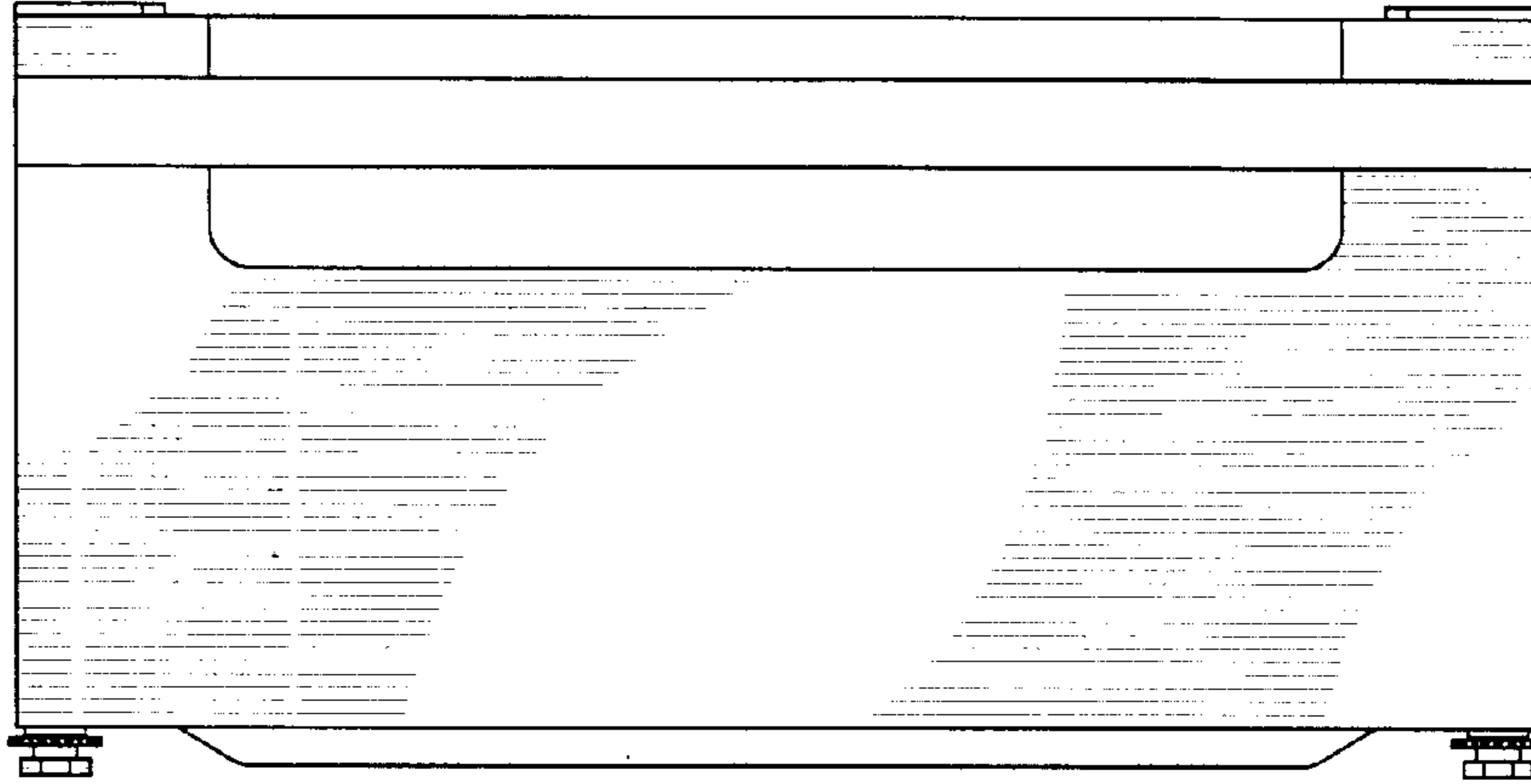


FIG. 3

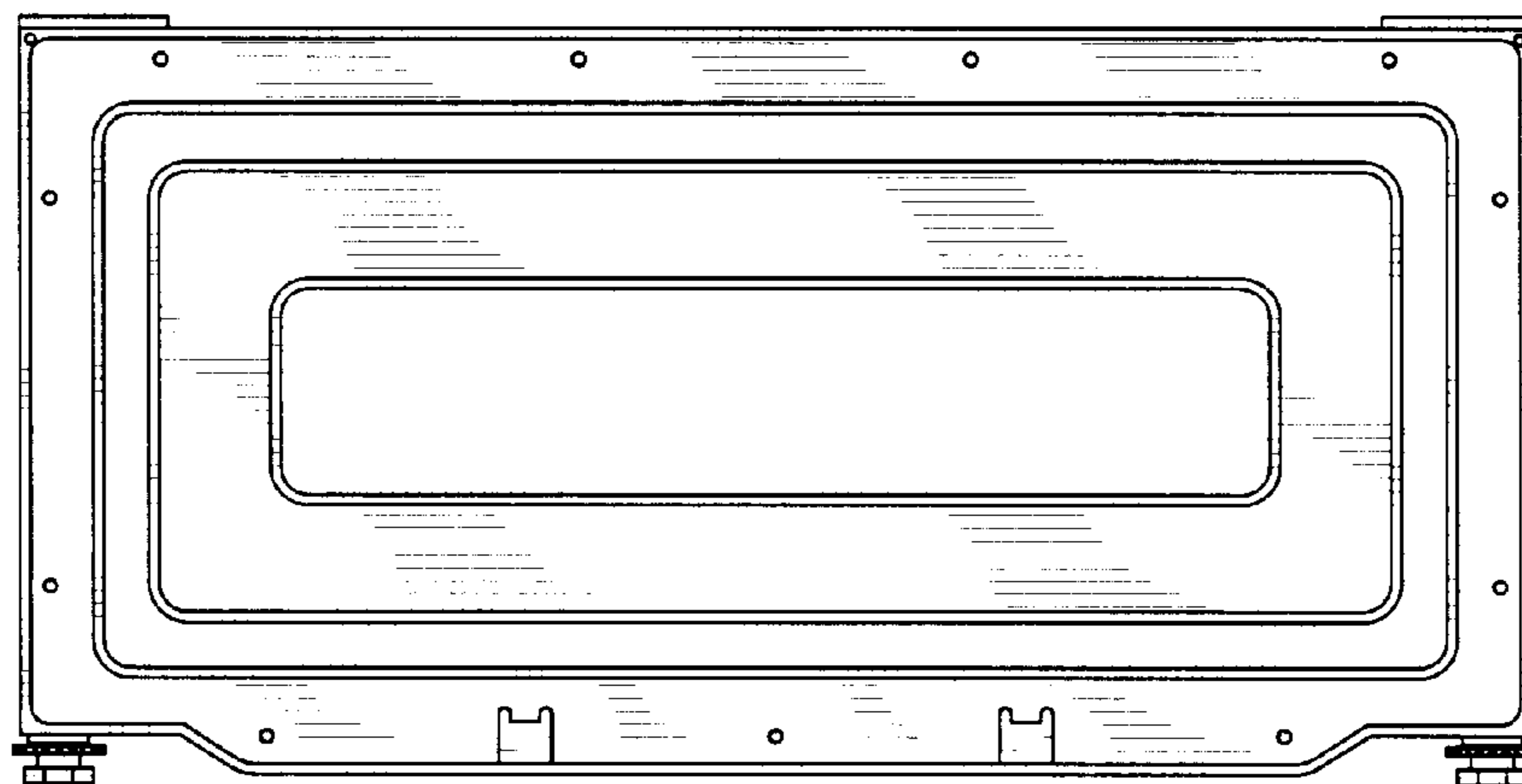


FIG. 4

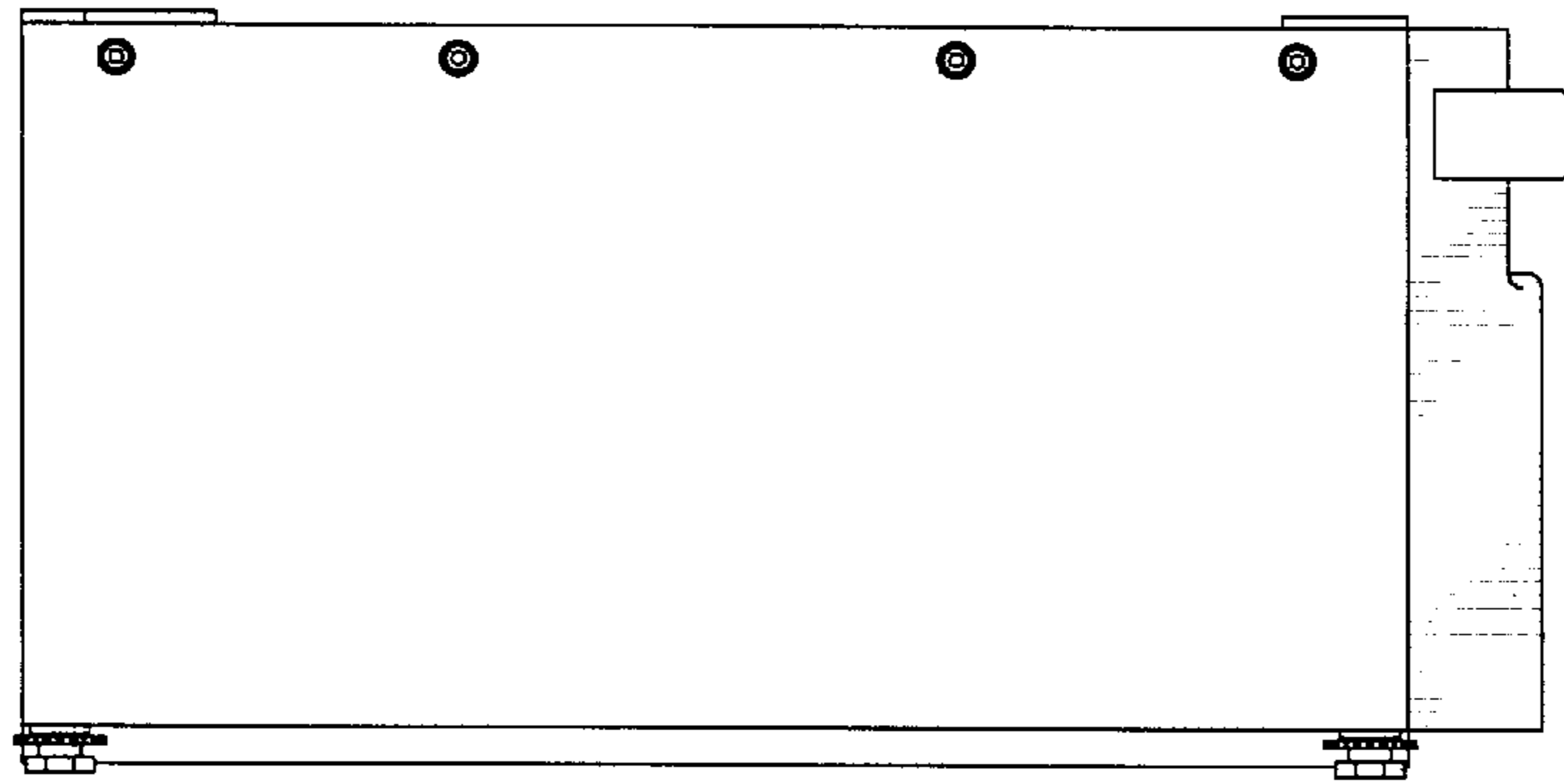


FIG. 5

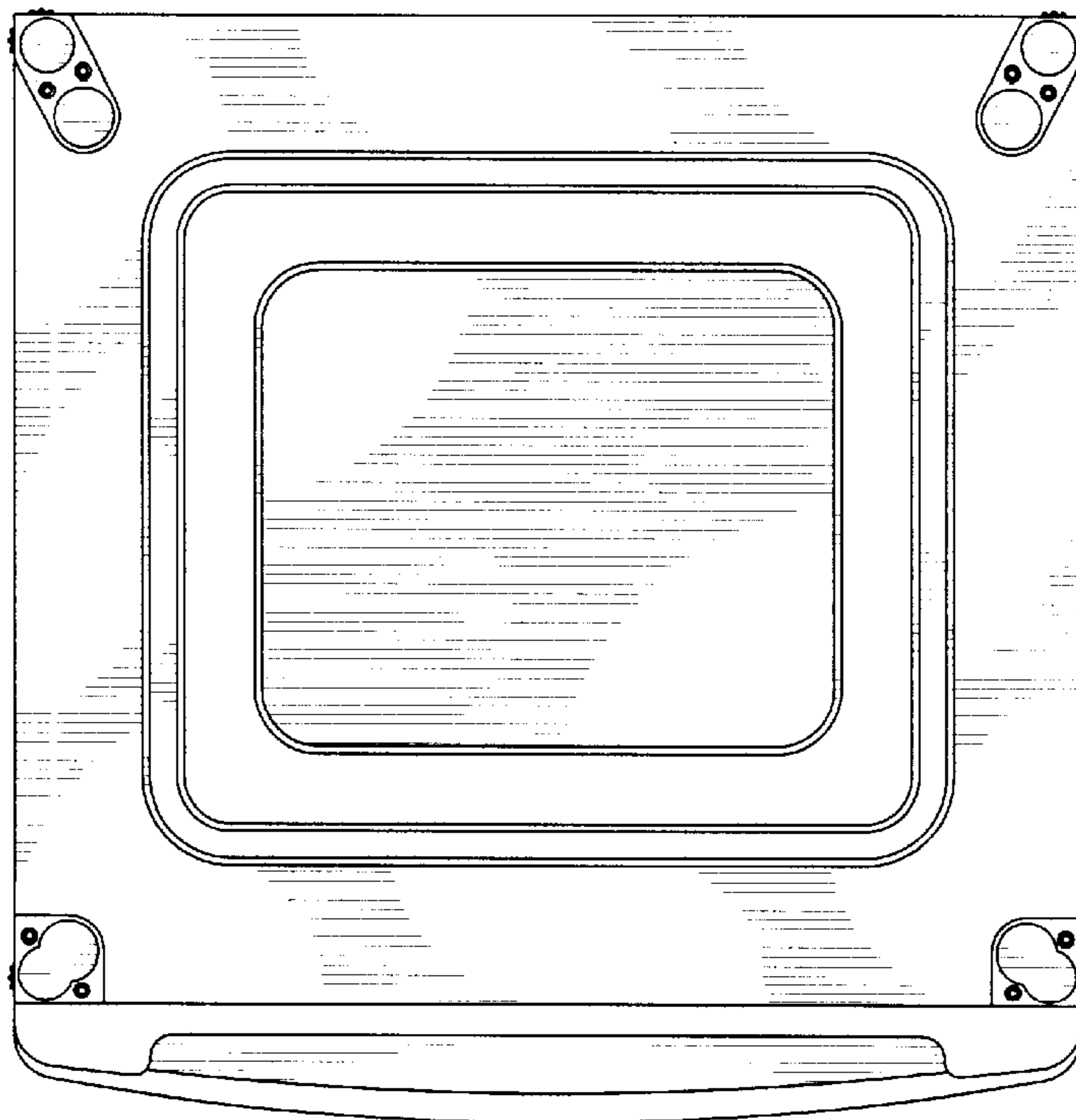


FIG. 6

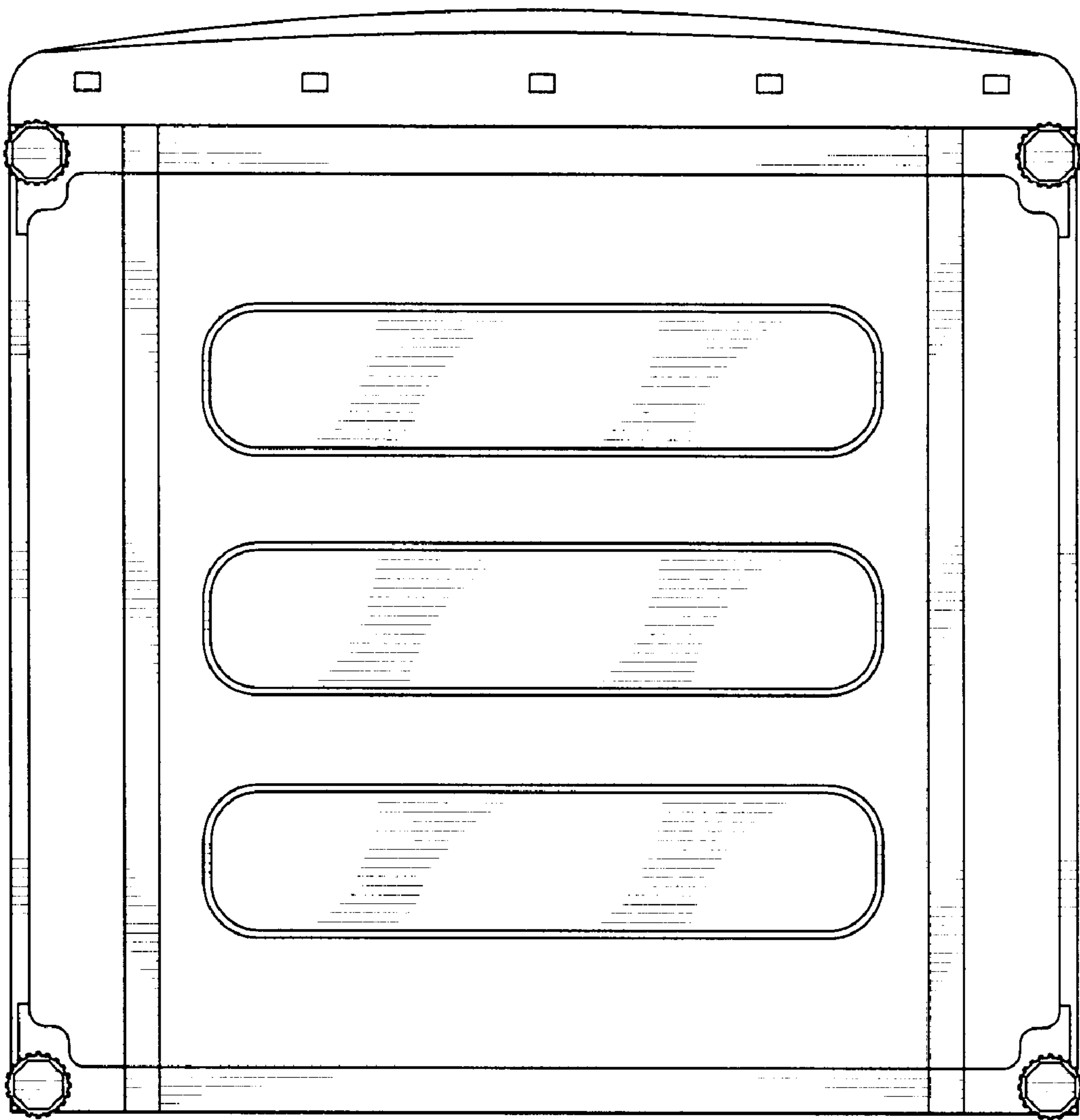


FIG. 7

