

US00D521701S

(12) **United States Design Patent**  
**Scheifele et al.**

(10) **Patent No.:** **US D521,701 S**

(45) **Date of Patent:** **\*\* May 23, 2006**

(54) **UPPER HOUSING OF A FLOOR CARE APPLIANCE**

(75) Inventors: **Kevin E. Scheifele**, Tallmadge, OH (US); **Jeffrey S. Louis**, Green, OH (US); **Ryan R. Berger**, Columbus, OH (US); **Ryan S. Crisp**, Lewis Center, OH (US); **Jeffrey T. DeBord**, Worthington, OH (US); **Paul E. Hsu**, Powell, OH (US); **Sean D. Montag**, Westerville, OH (US); **Jay F. Perkins**, Pickerington, OH (US); **Oren Shai**, Westerville, OH (US); **Jeffery A. Morgan**, Cuyahoga Falls, OH (US); **Evan A. Gordon**, Canton, OH (US)

(73) Assignee: **The Hoover Company**, North Canton, OH (US)

(\*\*) Term: **14 Years**

(21) Appl. No.: **29/215,492**

(22) Filed: **Oct. 19, 2004**

(51) **LOC (8) Cl.** ..... **15-05**

(52) **U.S. Cl.** ..... **D32/25; D32/22**

(58) **Field of Classification Search** ..... D32/25, D32/15, 30, 16, 19, 34, 21, 22, 31, 24; 15/321, 15/323, 353

See application file for complete search history.

(56) **References Cited**

**U.S. PATENT DOCUMENTS**

D327,145 S \* 6/1992 Kuriya ..... D32/22

D358,241 S \* 5/1995 Bradd ..... D32/22  
D421,164 S \* 2/2000 Luebbering ..... D32/22  
D456,964 S \* 5/2002 Alford et al. .... D32/31  
D465,075 S \* 10/2002 Wright et al. .... D32/31  
6,536,071 B1 \* 3/2003 Zahuranec et al. .... 15/320  
D494,720 S \* 8/2004 Rosenzweig et al. .... D32/31  
D497,042 S \* 10/2004 Elrod ..... D32/22

\* cited by examiner

*Primary Examiner*—Louis S. Zarfaz

*Assistant Examiner*—Kathleen Sims

(74) *Attorney, Agent, or Firm*—A. Burgess Lowe; Michael J. Corrigan

(57) **CLAIM**

The ornamental design for an upper housing of a floor care appliance, as shown and described.

**DESCRIPTION**

FIG. 1 is a front perspective view of the upper housing of a floor care appliance showing our new design;

FIG. 2 is a front view thereof;

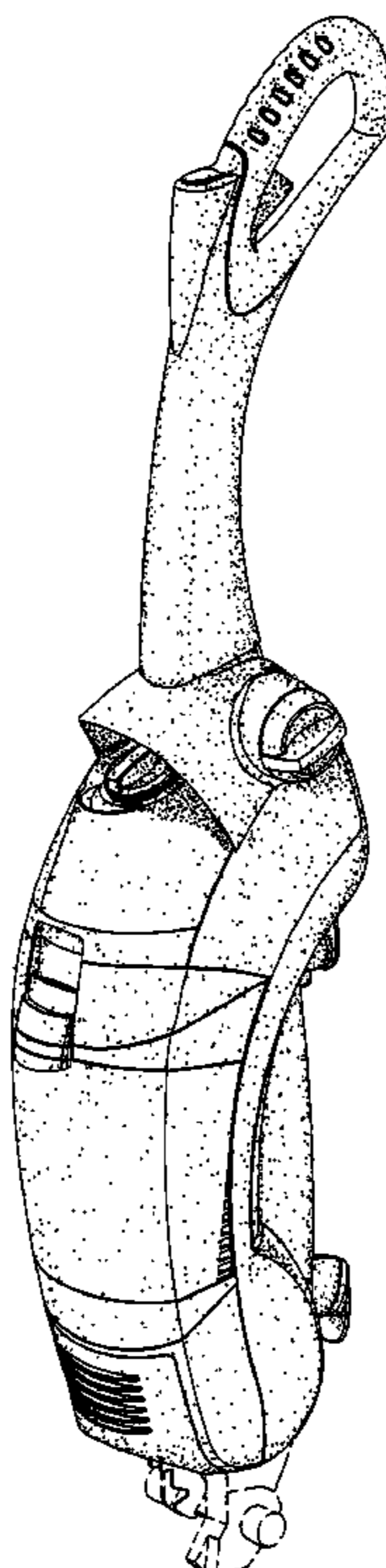
FIG. 3 is a left side view thereof;

FIG. 4 is a right side view thereof; and,

FIG. 5 is a top view thereof.

The portion shown in dashed lines is shown for illustrative purposes only and forms no part of the claimed design.

**1 Claim, 4 Drawing Sheets**



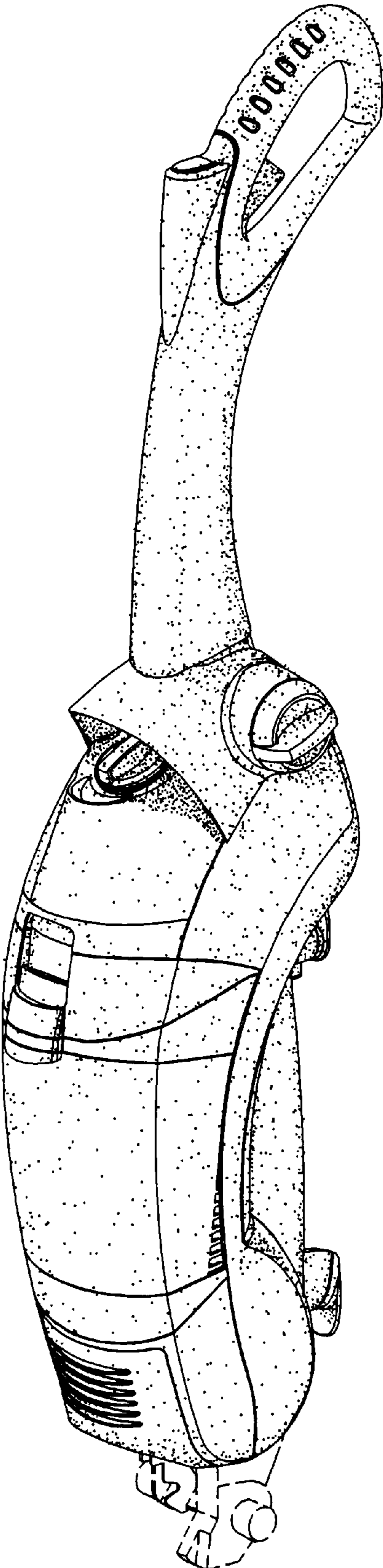


FIG-1

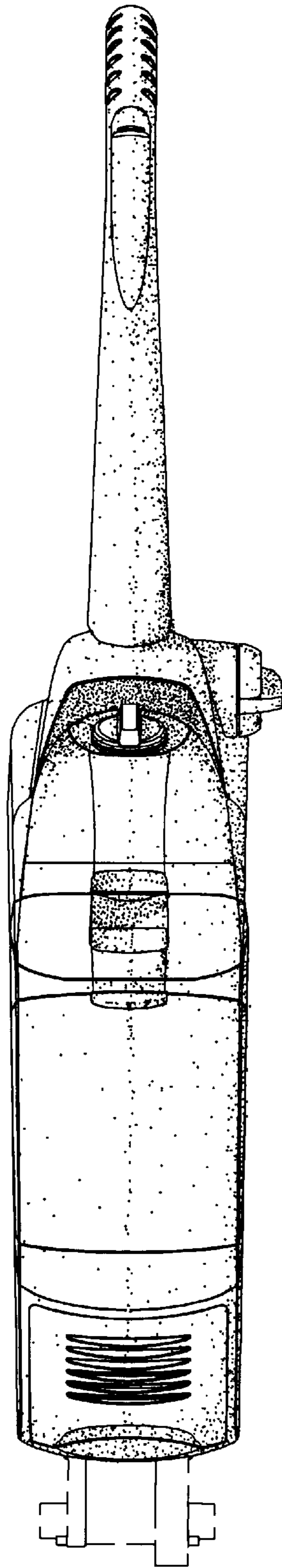


FIG-2

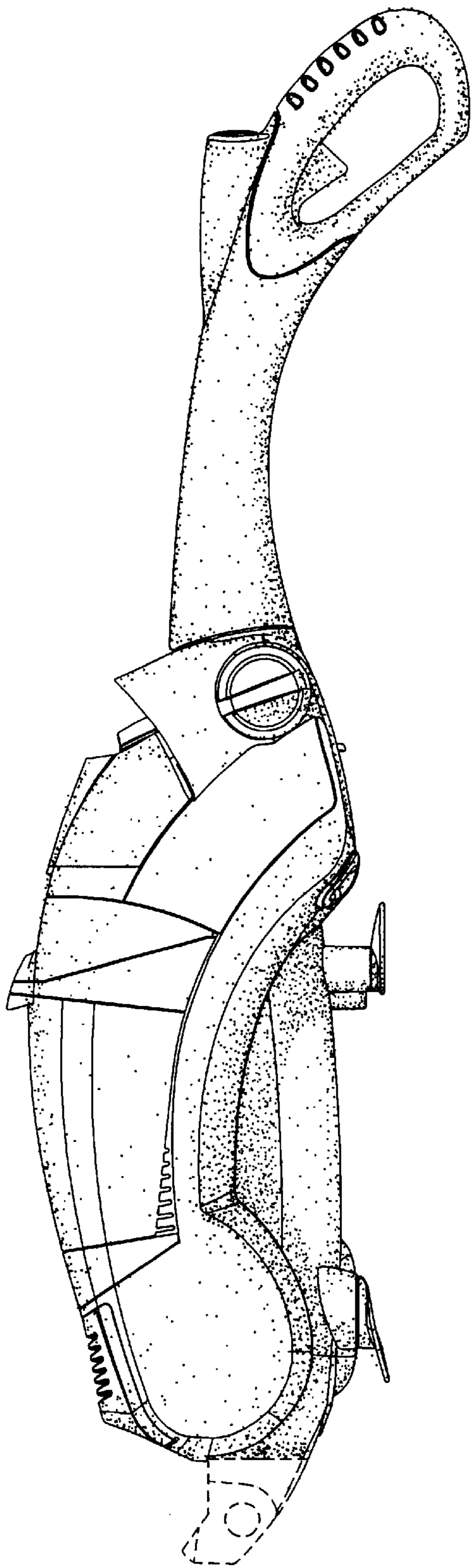


FIG-3

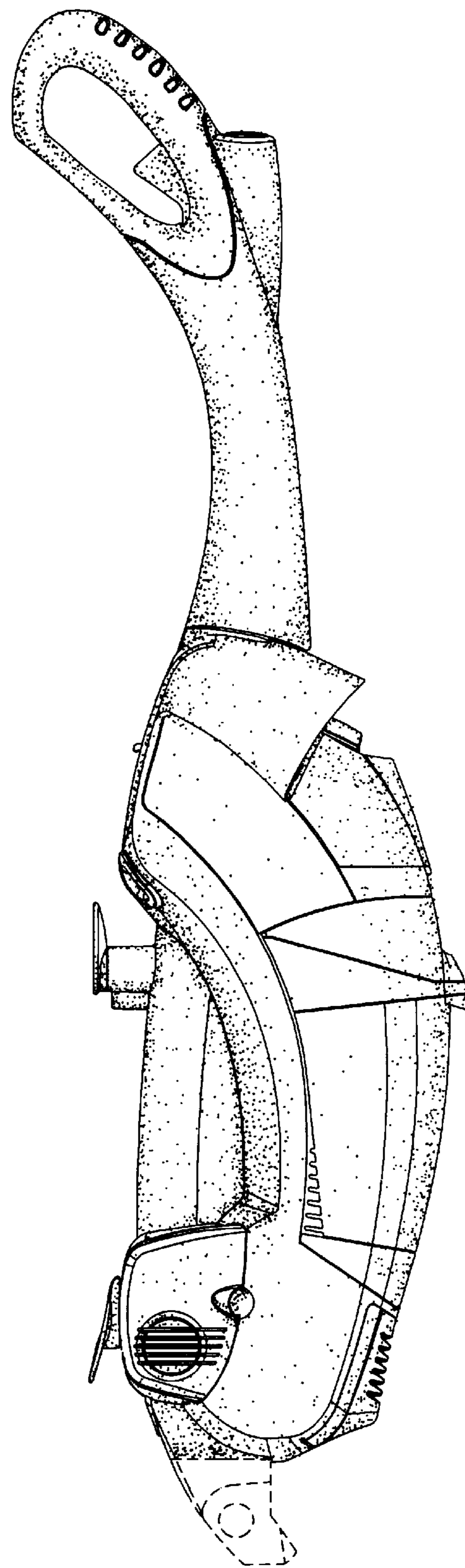


FIG-4

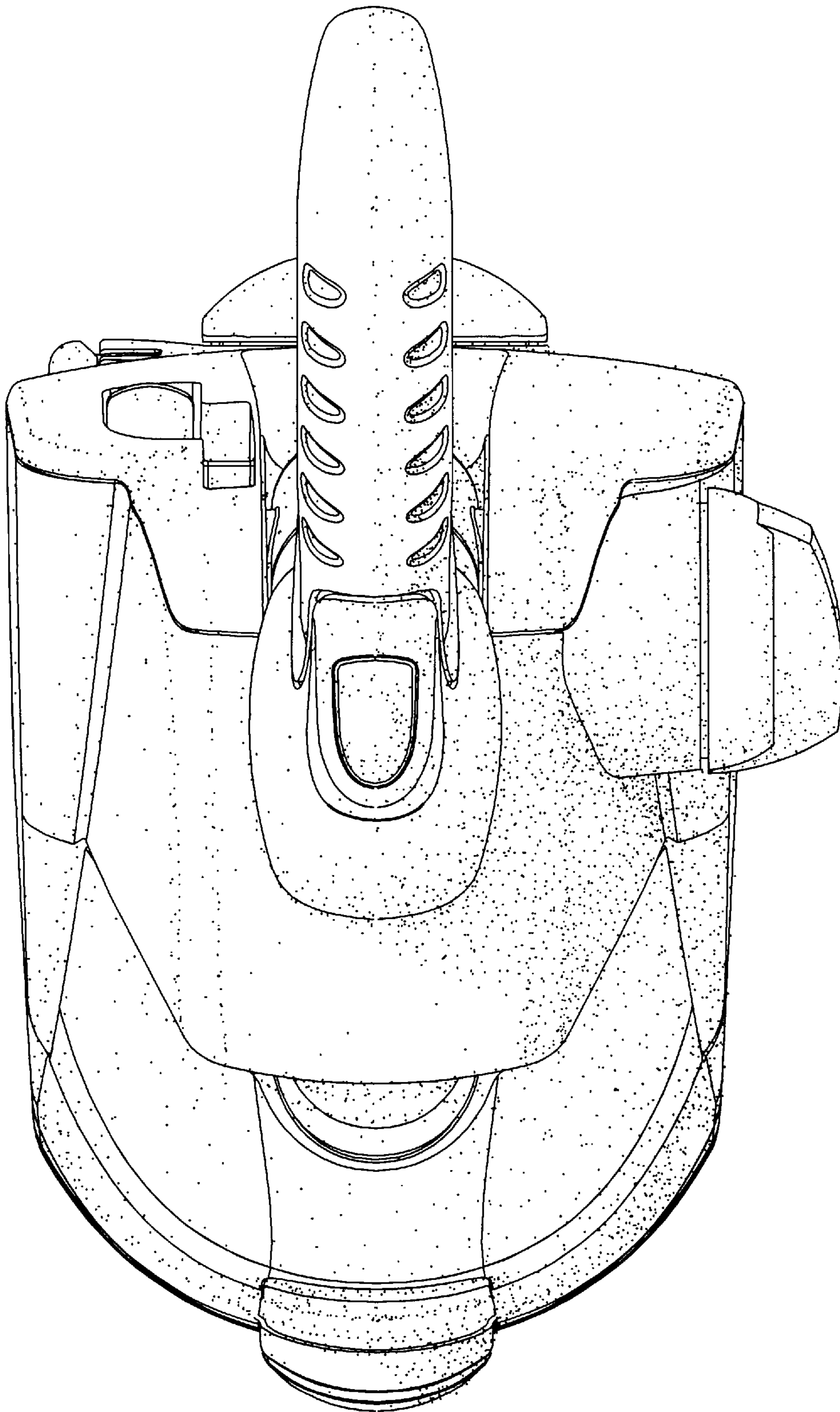


FIG-5