

US00D521699S

(12) **United States Design Patent**
Greene et al.

(10) **Patent No.:** **US D521,699 S**

(45) **Date of Patent:** **** May 23, 2006**

(54) **LIGHTWEIGHT UPRIGHT VACUUM CLEANER**

(75) Inventors: **Mason Greene**, Auburn, AL (US);
Mark Rosenzweig, Chestnut Hill, MA (US)

(73) Assignee: **Euro-Pro Operating, LLC**, West Newton, MA (US)

(**) Term: **14 Years**

(21) Appl. No.: **29/202,351**

(22) Filed: **Mar. 30, 2004**

(51) **LOC (8) Cl.** **15-05**

(52) **U.S. Cl.** **D32/22**

(58) **Field of Classification Search** D32/17-18, D32/21-22, 25, 30-34; 15/320-321, 323, 15/327.1, 335, 344, 347, 350-353, 361, 329, 15/410, 412; 55/459.1-459.2, 449, DIG. 3, 55/426, 337, 345, 429, 467, 472; 95/271; 210/787, 806, 512.1, 512.2

See application file for complete search history.

(56) **References Cited**

U.S. PATENT DOCUMENTS

- D309,203 S 7/1990 Goodrich
- D343,707 S 1/1994 Dyson
- D375,820 S * 11/1996 Piccaluga et al. D32/22
- D417,533 S 12/1999 Burchard et al.

- 6,193,787 B1 * 2/2001 Dyson et al. 95/271
- D439,379 S * 3/2001 Gammack et al. D32/22
- D462,813 S 9/2002 Nakano et al.
- D462,814 S 9/2002 Sugimoto
- D473,981 S * 4/2003 Wareham D32/22
- D475,820 S * 6/2003 Dyson et al. D32/22
- 6,735,818 B1 * 5/2004 Hamada et al. 15/410
- D494,719 S * 8/2004 Rosenzweig et al. D32/31
- 2002/0108208 A1 * 8/2002 Hamada et al. 15/352
- 2003/0188396 A1 10/2003 Hitzelberger et al.

* cited by examiner

Primary Examiner—Ruth McInroy

(74) *Attorney, Agent, or Firm*—Greenberg Traurig LLP; Michael I. Wolfson; Sylvia Tan

(57) **CLAIM**

The ornamental design for a lightweight upright vacuum cleaner, as shown and described.

DESCRIPTION

FIG. 1 is a top, front and left side perspective view of a lightweight upright vacuum cleaner showing our new design;

FIG. 2 is a front perspective view thereof;

FIG. 3 is a right side perspective view thereof;

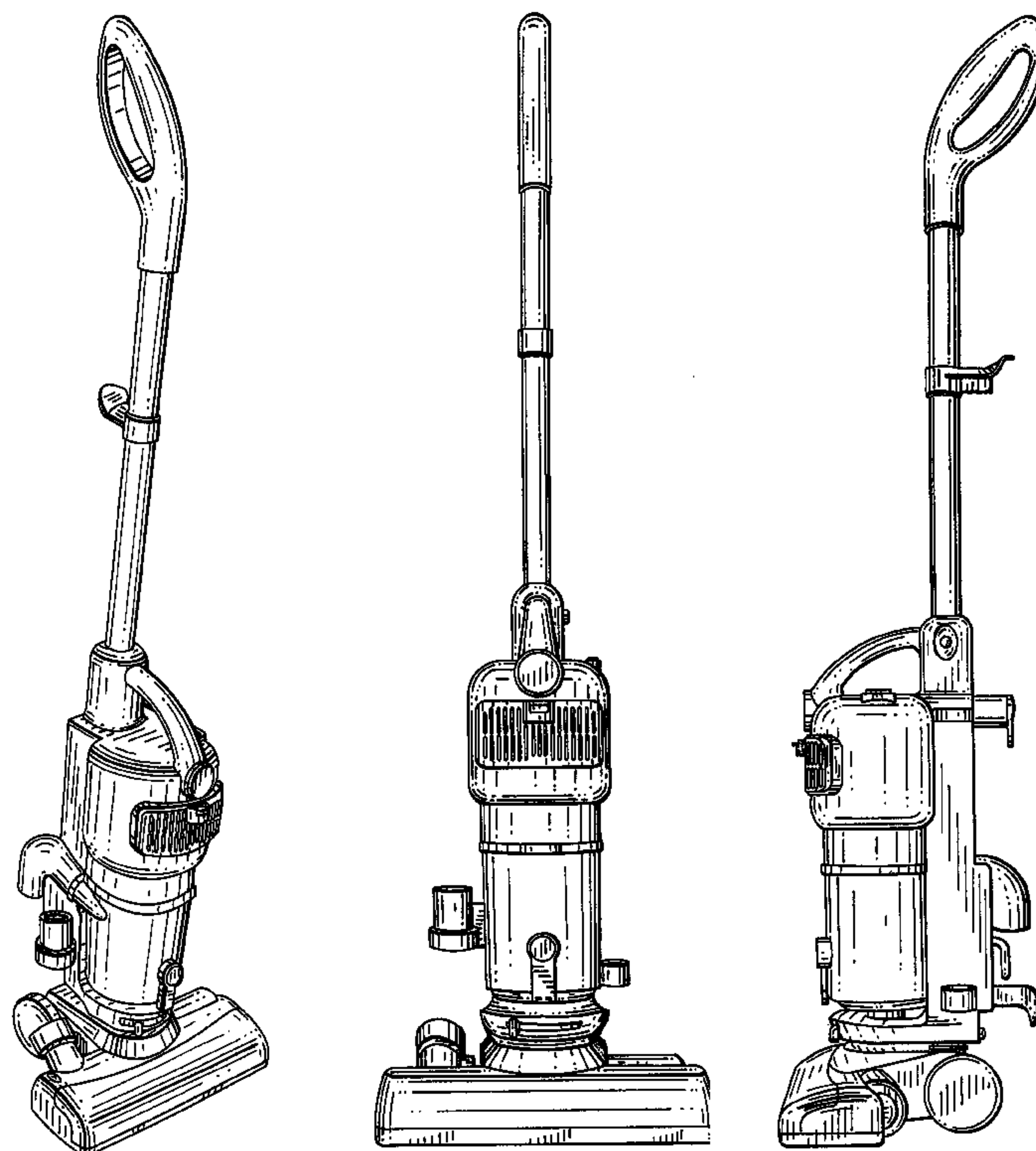
FIG. 4 is a left side perspective view thereof;

FIG. 5 is a rear perspective view thereof;

FIG. 6 is a top perspective view thereof; and,

FIG. 7 is a bottom perspective view thereof.

1 Claim, 6 Drawing Sheets



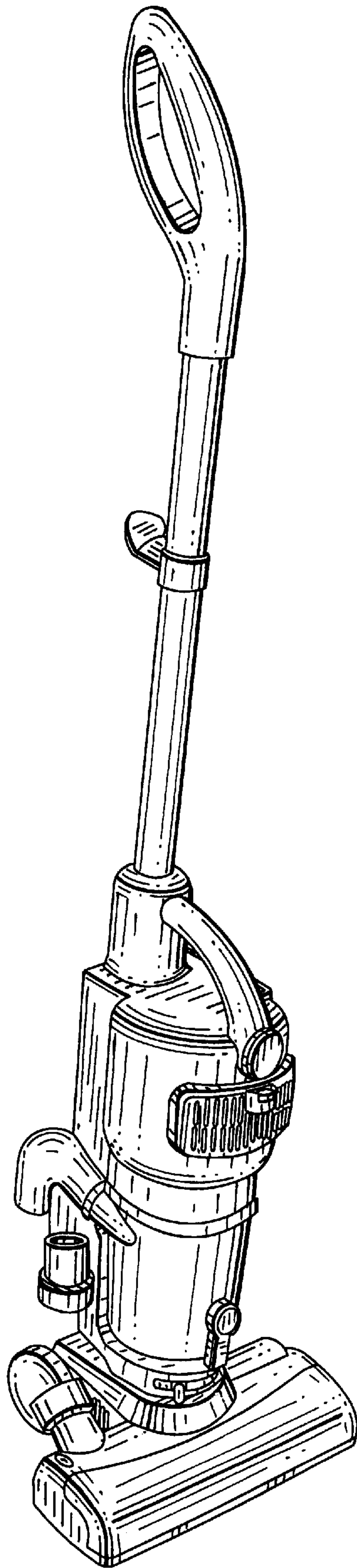


FIG. 1

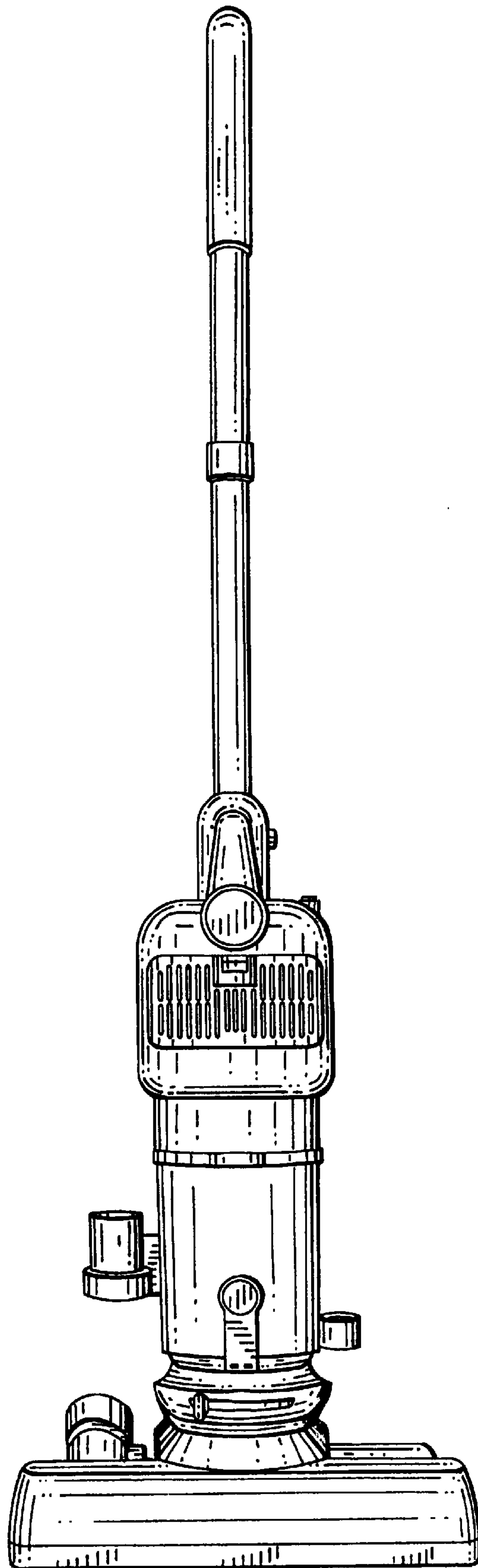


FIG. 2

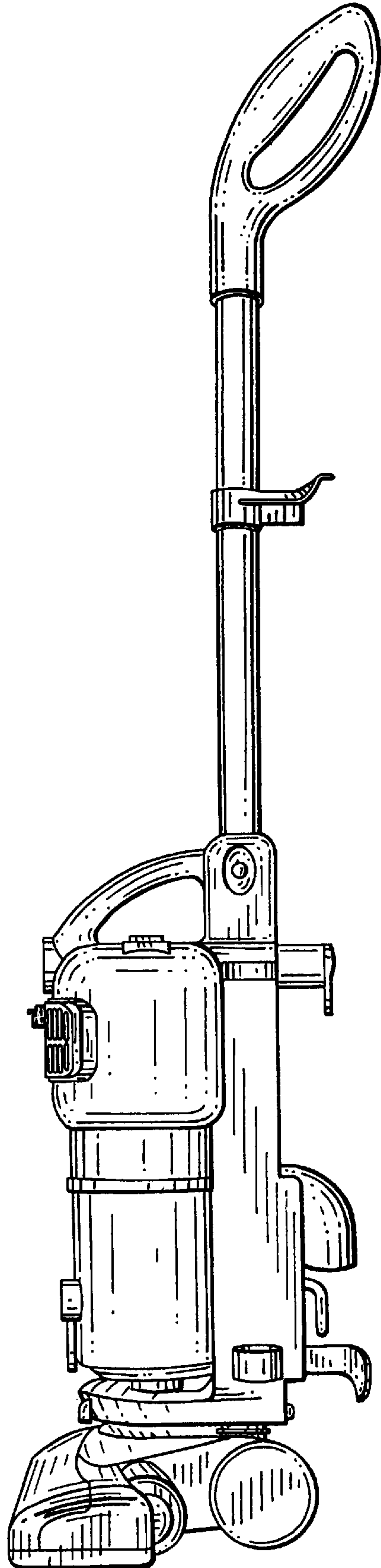


FIG. 3

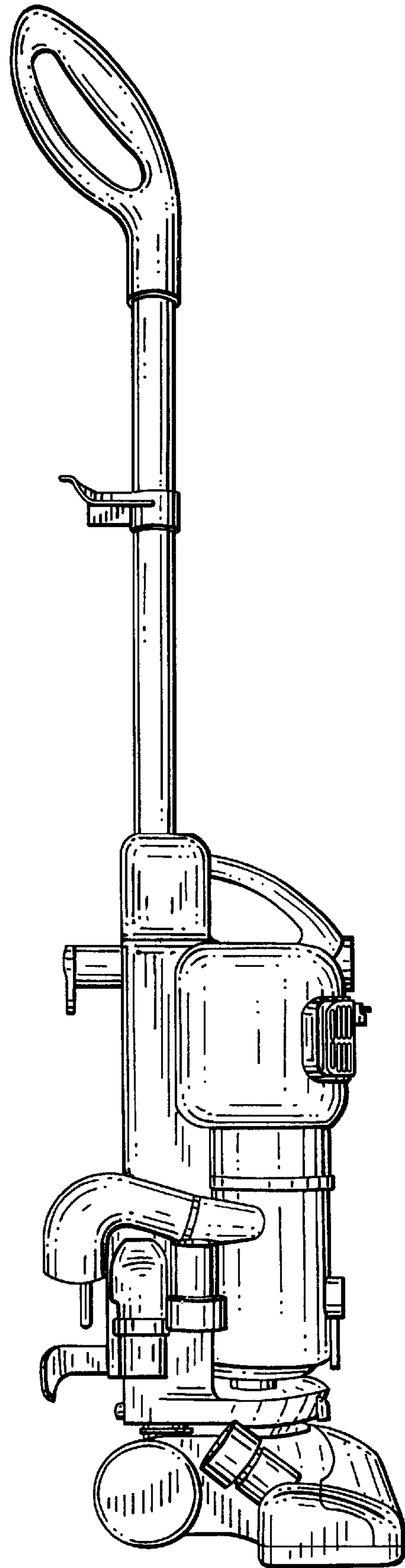


FIG. 4

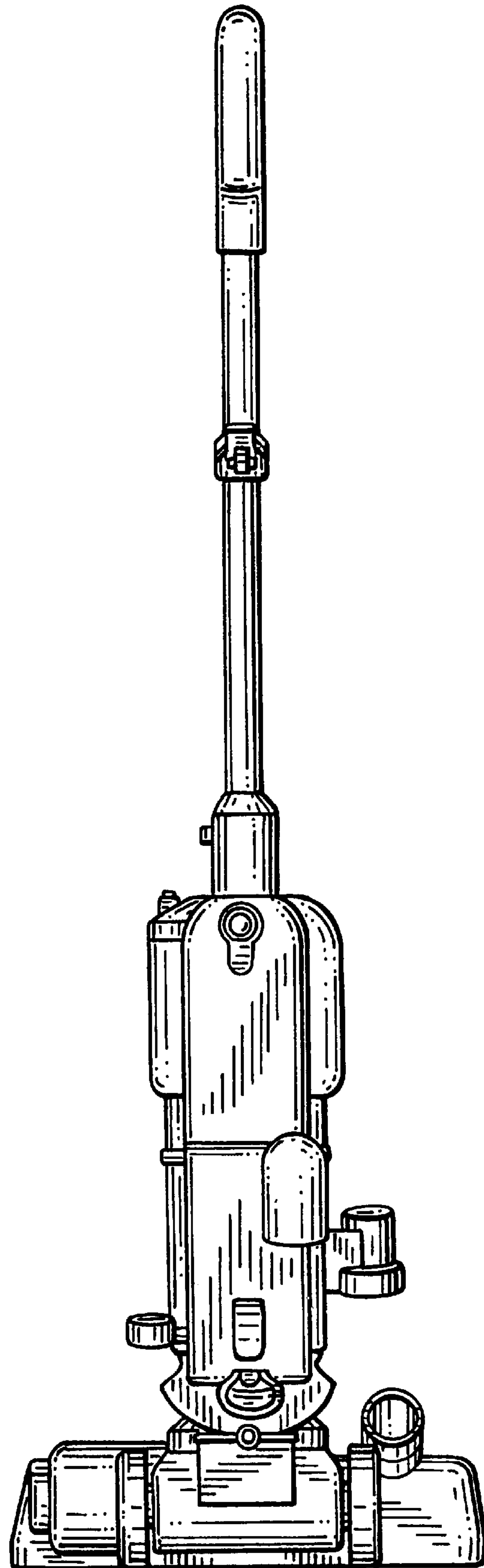


FIG. 5

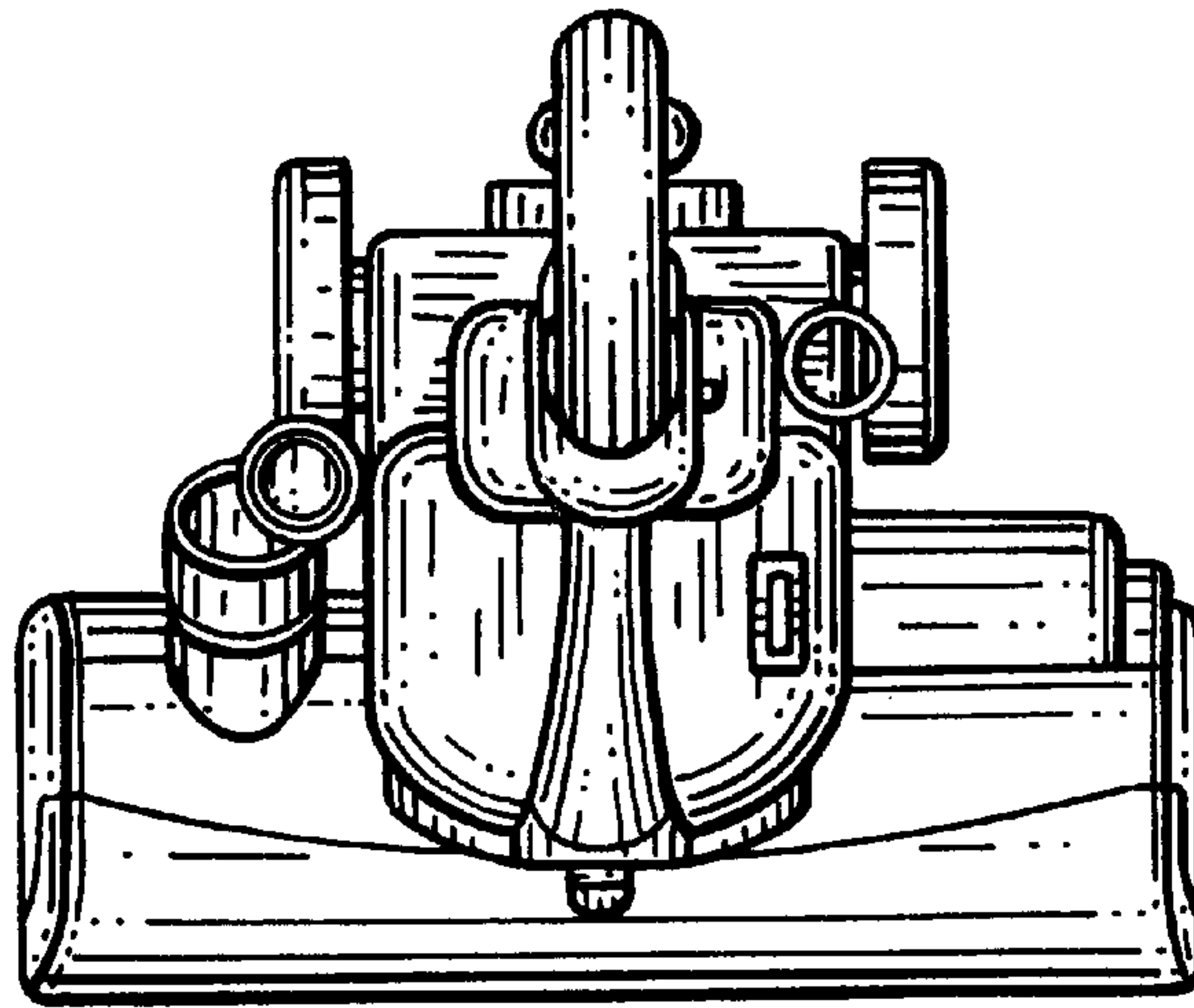


FIG. 6

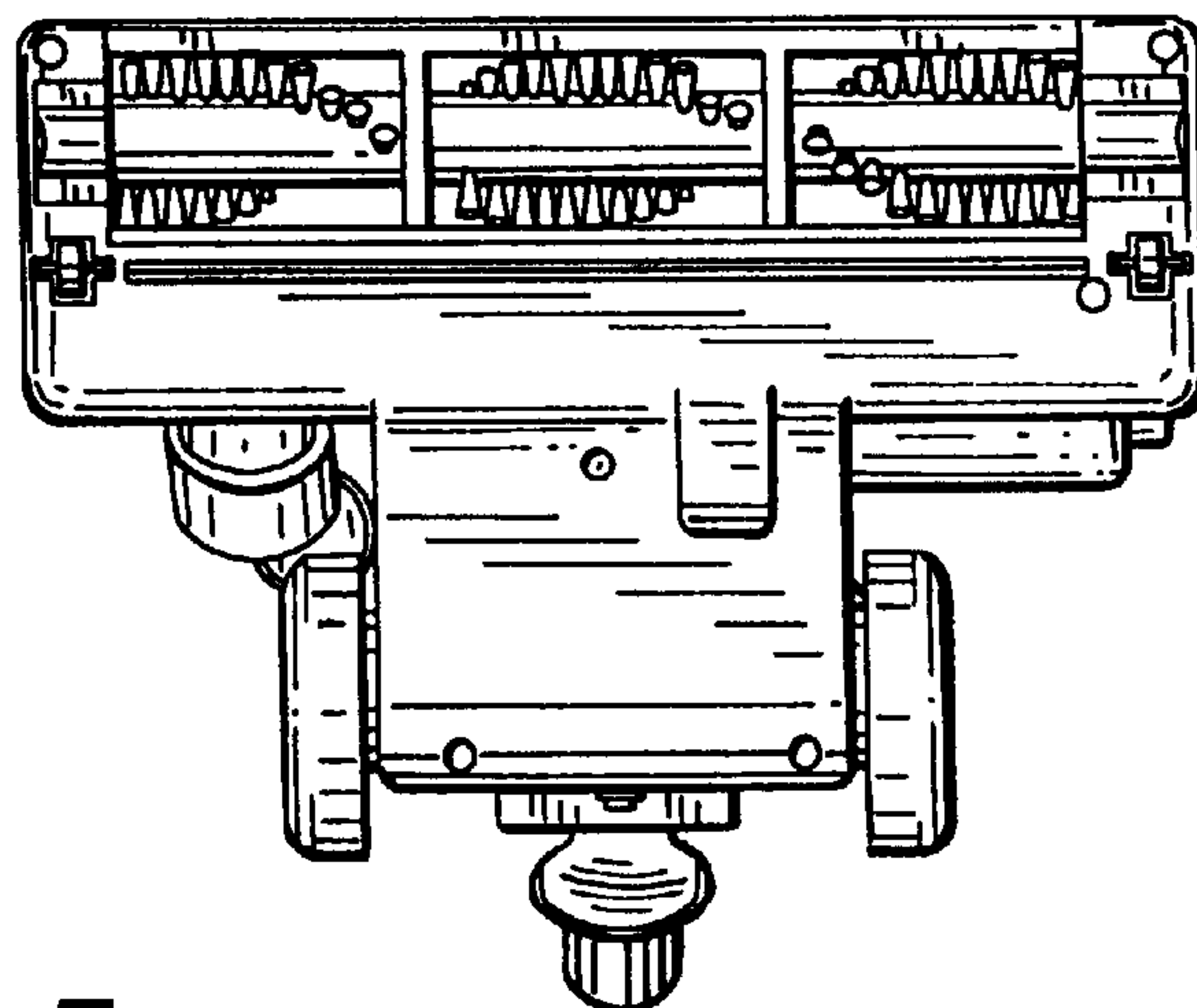


FIG. 7