

US00D521698S

(12) **United States Design Patent**
Rosenzweig et al.

(10) **Patent No.:** **US D521,698 S**

(45) **Date of Patent:** **** May 23, 2006**

(54) **VACUUM CLEANER**

(75) Inventors: **Mark Rosenzweig**, Chestnut Hill, MA (US); **Terry Robertson**, Auburn, AL (US)

(73) Assignee: **Euro-Pro Operating LLC**, West Newton, MA (US)

(**) **Term:** **14 Years**

(21) **Appl. No.:** **29/200,744**

(22) **Filed:** **Mar. 4, 2004**

(51) **LOC (8) Cl.** **15-05**

(52) **U.S. Cl.** **D32/22**

(58) **Field of Classification Search** D32/17-18, D32/21-22, 25, 30-34; 15/320-321, 323, 15/327.1, 335, 344, 347, 350-353, 361, 329, 15/410, 412; 55/459.1-459.2, 449, DIG. 3, 55/426, 337, 345, 429, 467, 472; 95/271; 210/787, 806, 512.1, 512.2

See application file for complete search history.

(56) **References Cited**

U.S. PATENT DOCUMENTS

- D309,203 S 7/1990 Goodrich
- D343,707 S 1/1994 Dyson
- D417,533 S 12/1999 Burchard et al.

- D426,357 S * 6/2000 Tsuruha et al. D32/22
- D431,332 S * 9/2000 Hamm et al. D32/22
- D452,758 S * 1/2002 Yokoyama et al. D32/22
- D462,813 S 9/2002 Nakano et al.
- D462,814 S 9/2002 Sugimoto
- D487,323 S * 3/2004 Leyden et al. D32/22
- D488,894 S * 4/2004 Leyden D32/22
- D494,720 S * 8/2004 Rosenzweig et al. D32/31
- 2003/0188396 A1 * 10/2003 Hitzelberger et al. 15/351

* cited by examiner

Primary Examiner—Ruth McInroy

(74) *Attorney, Agent, or Firm*—Greenberg Traurig LLP; Michael I. Wolfson; Sylvia Tan

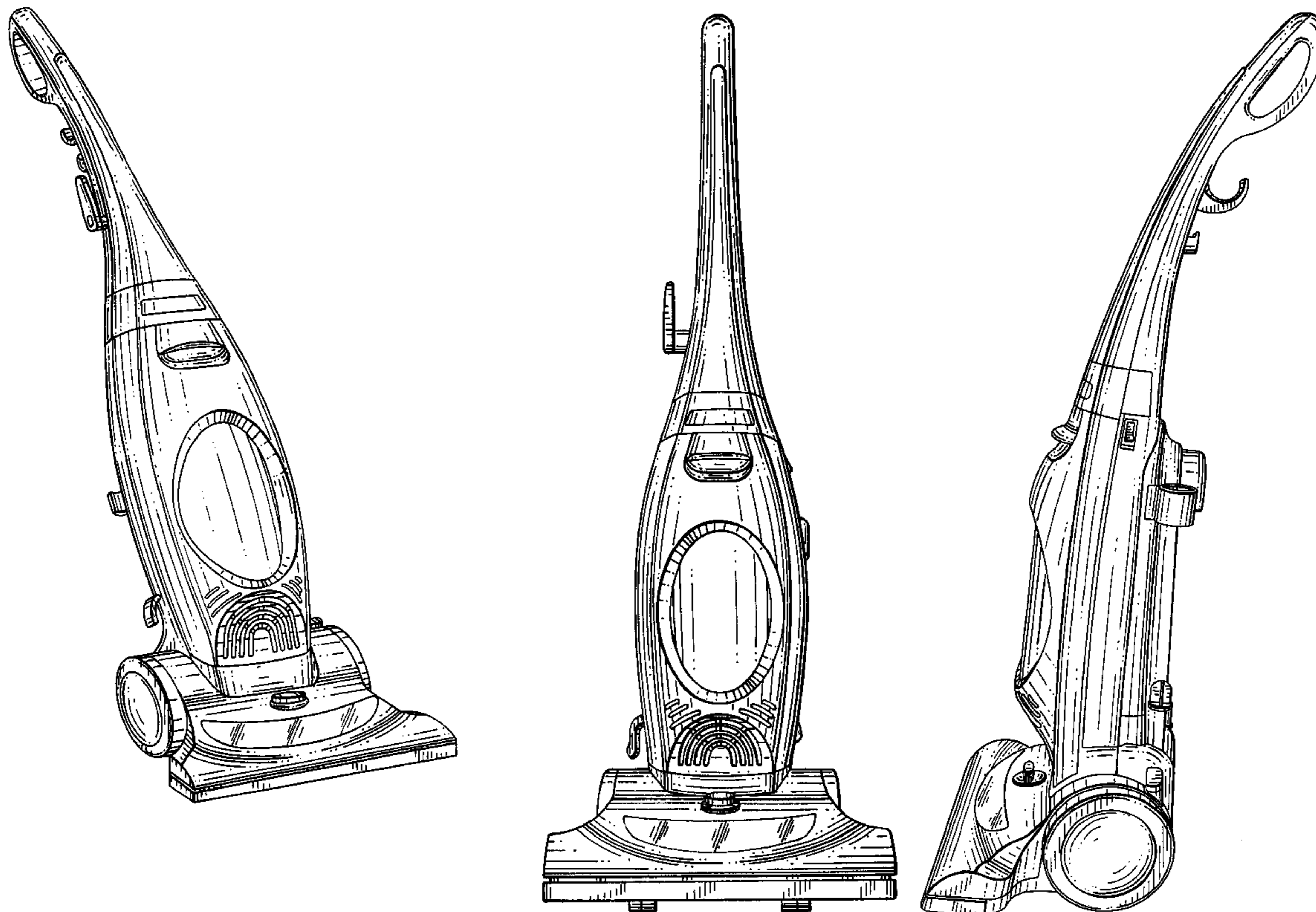
(57) **CLAIM**

The ornamental design for a vacuum cleaner, as shown and described.

DESCRIPTION

FIG. 1 is a top, front and left side perspective view of a vacuum cleaner showing our new design; FIG. 2 is a front perspective view thereof; FIG. 3 is a right side perspective view thereof; FIG. 4 is a left side perspective view thereof; FIG. 5 is a rear perspective view thereof; FIG. 6 is a top perspective view thereof; and, FIG. 7 is a bottom perspective view thereof.

1 Claim, 6 Drawing Sheets



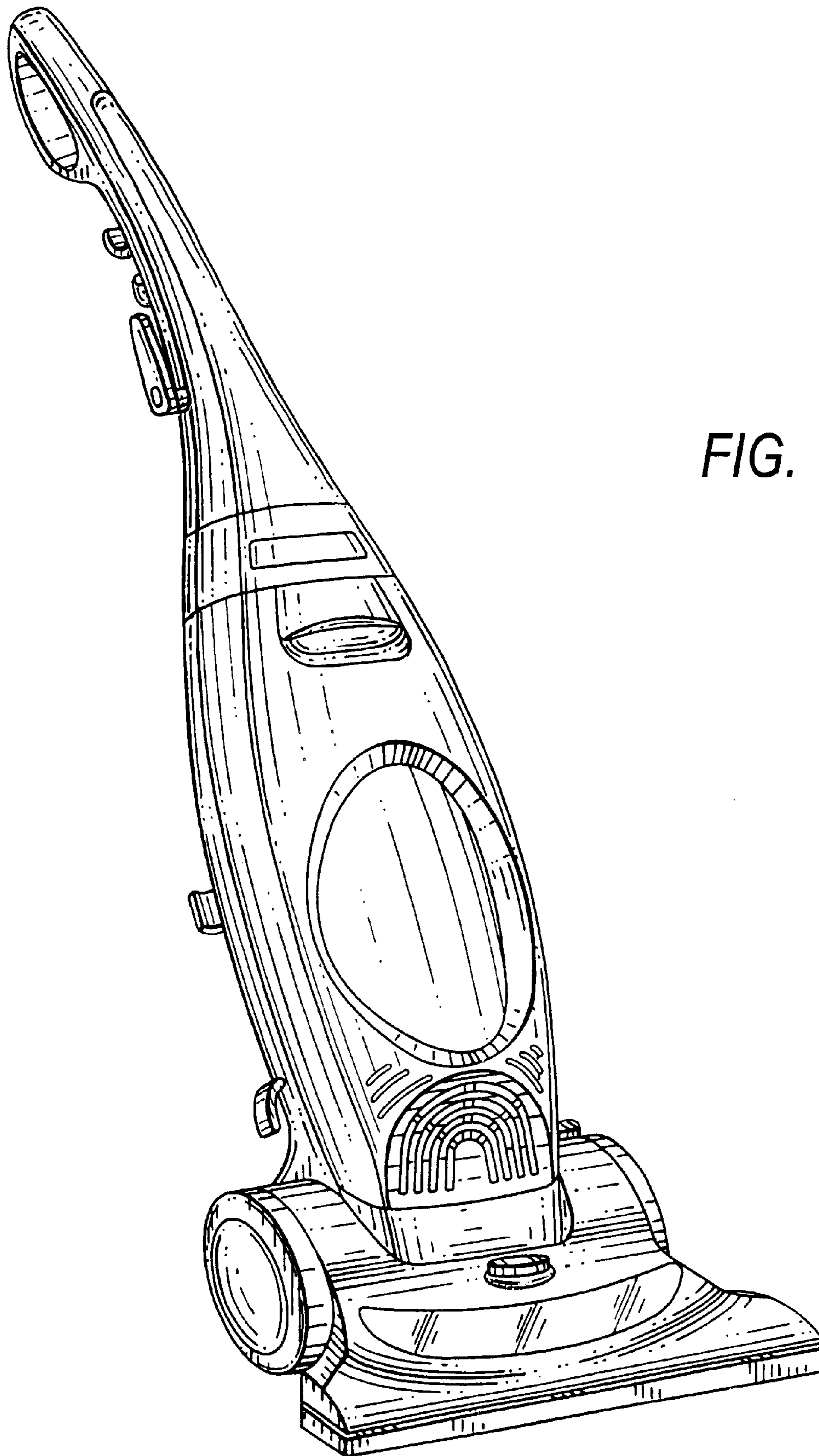


FIG. 1

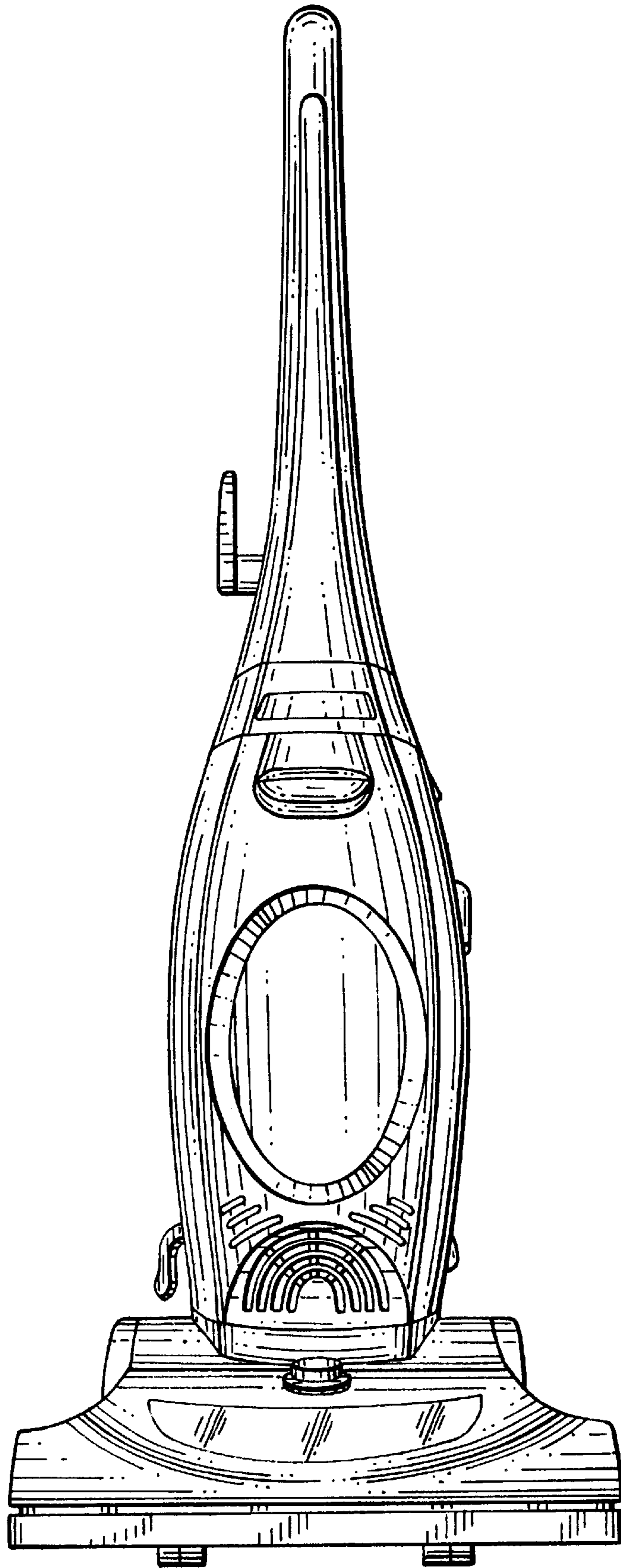
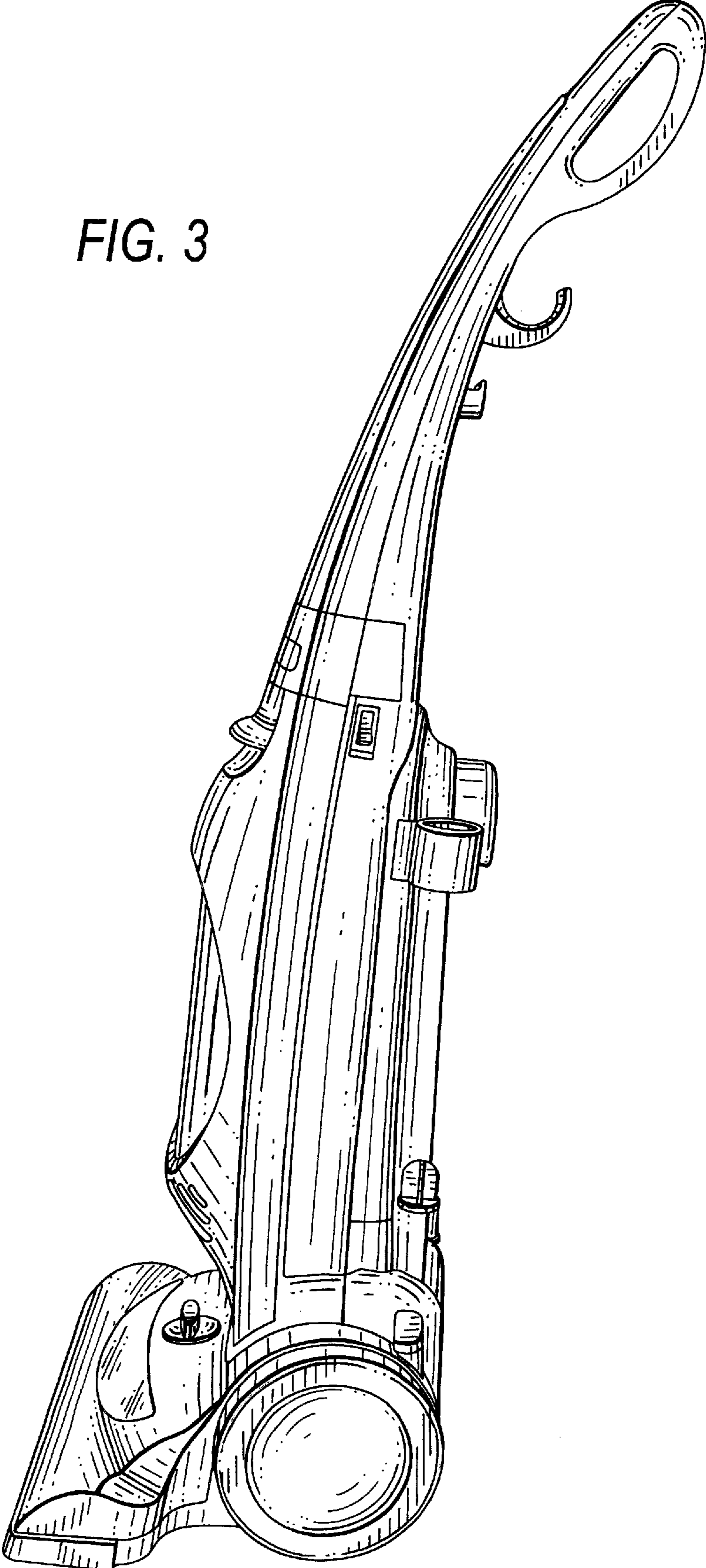


FIG. 2

FIG. 3



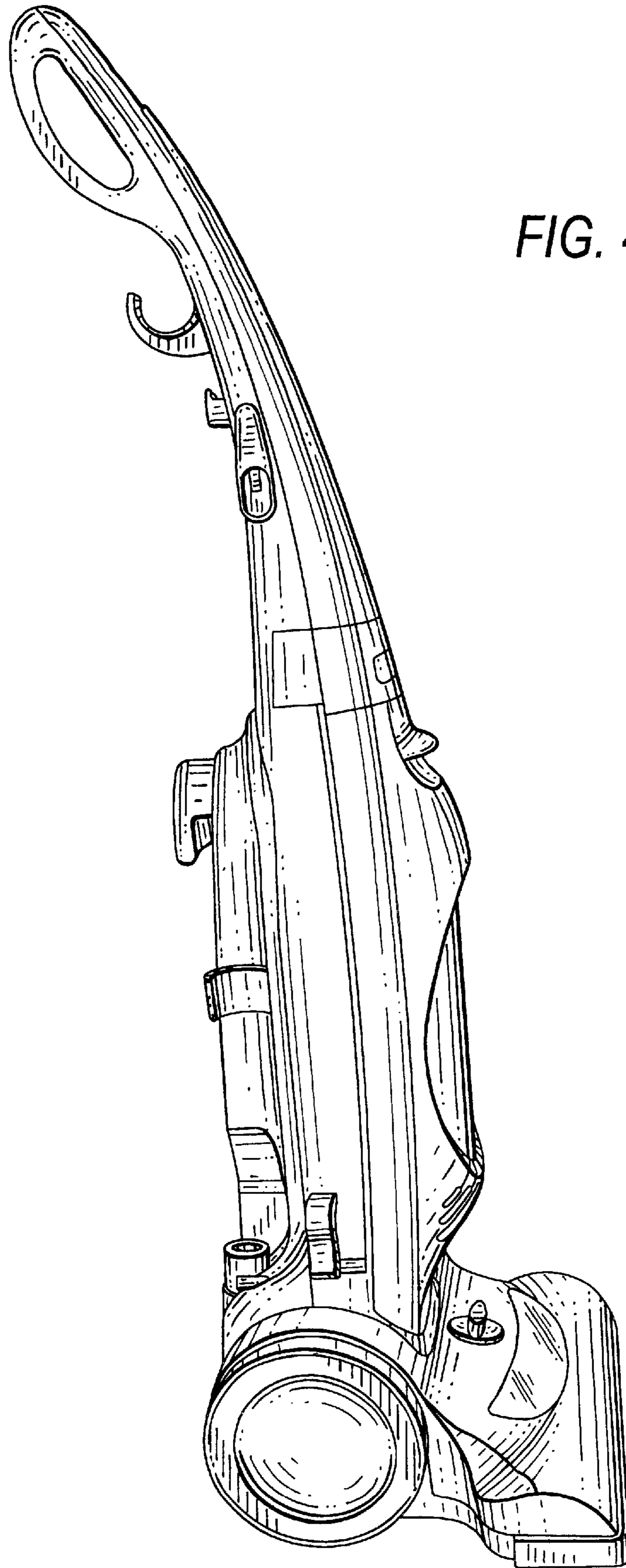


FIG. 4

FIG. 5

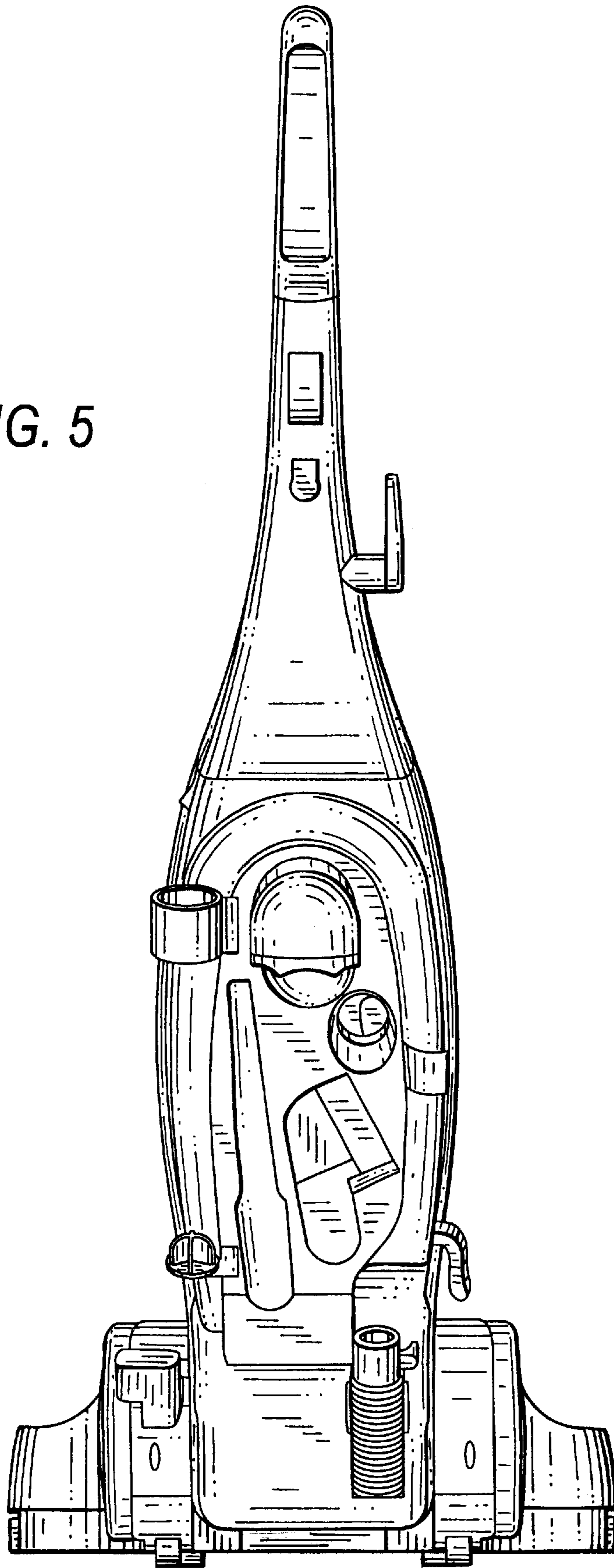


FIG. 6

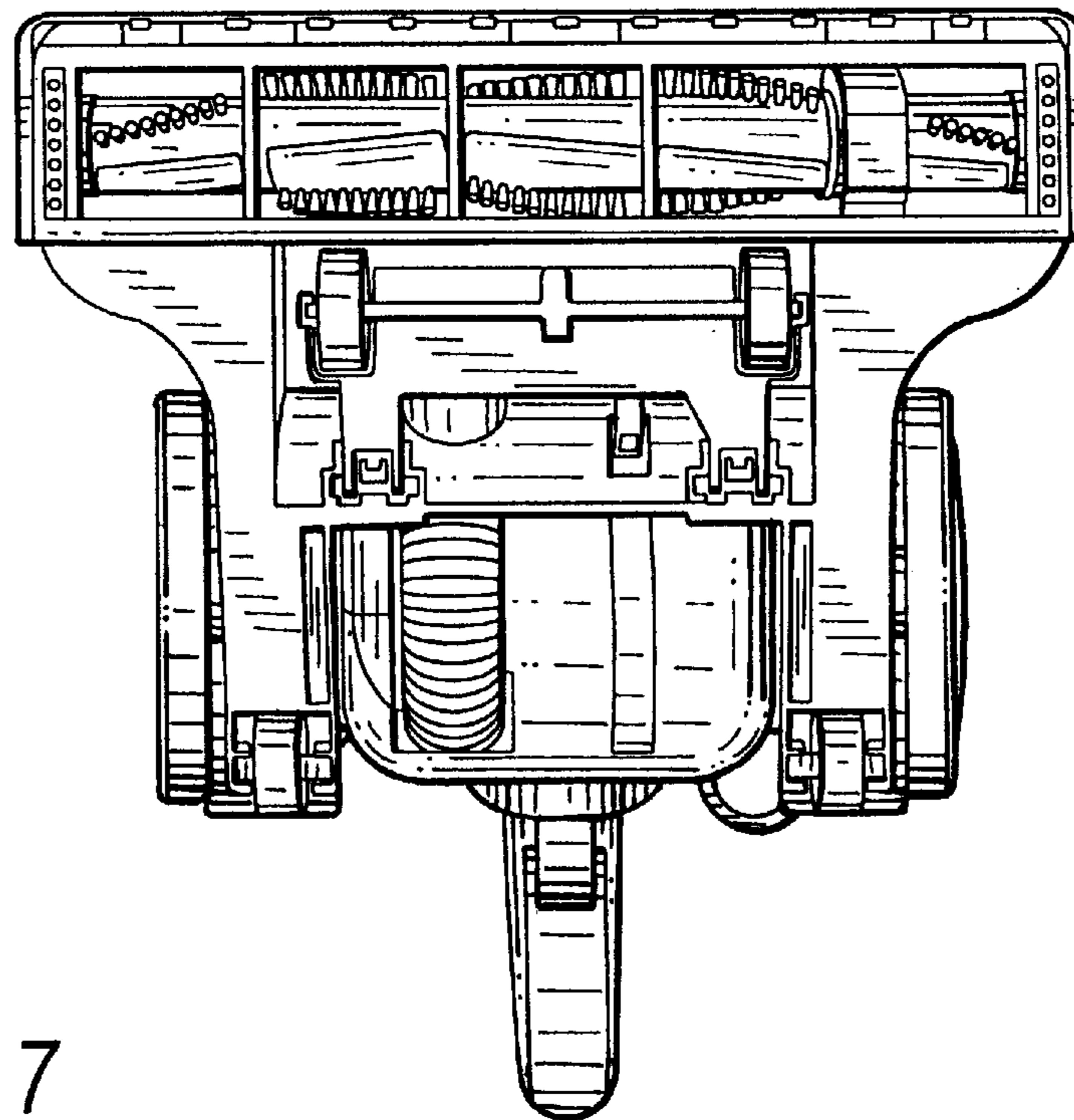
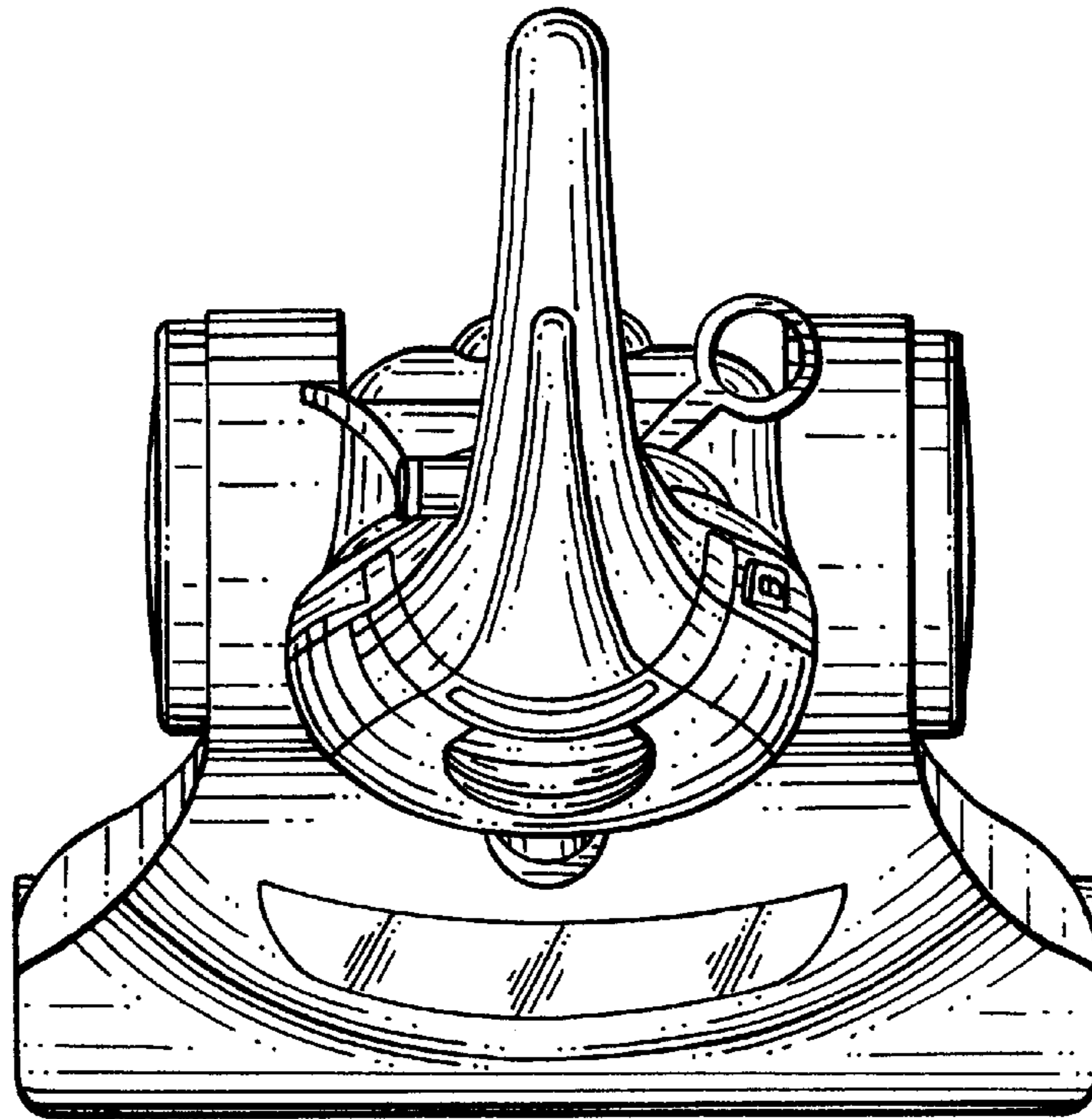


FIG. 7