



US00D521697S

(12) **United States Design Patent**
Tsen

(10) **Patent No.:** **US D521,697 S**

(45) **Date of Patent:** **** May 23, 2006**

(54) **WATER FILTER VACUUM CLEANER**

(76) Inventor: **Samson Tsen**, No. 8, Lane 249,
Lung-Chiang Rd., Chung-Shan Dist.
Taipei City (TW)

(**) Term: **14 Years**

(21) Appl. No.: **29/218,648**

(22) Filed: **Dec. 7, 2004**

(51) **LOC (8) Cl.** **15-05**

(52) **U.S. Cl.** **D32/21**

(58) **Field of Classification Search** D32/17-18,
D32/21-24, 31; 15/143.1, 320-321, 323,
15/327.1, 327.2, 327.4, 327.5, 327.6, 327.7,
15/329, 344, 350-353, 410, 412-413, DIG. 8,
15/DIG. 10; 55/337, 429, 459.1, 459.2, DIG. 2,
55/DIG. 3; 417/423.2; 95/268, 271
See application file for complete search history.

(56) **References Cited**

U.S. PATENT DOCUMENTS

D399,617 S * 10/1998 Fujita D32/21
D417,046 S * 11/1999 Tsuruha et al. D32/21
D430,366 S * 8/2000 Sato et al. D32/21

D448,128 S * 9/2001 Oh D32/21
D459,040 S * 6/2002 Oh D32/21
D490,580 S * 5/2004 Choi D32/21
D498,886 S * 11/2004 Fujii D32/21
D499,517 S * 12/2004 Chen D32/17
D508,152 S * 8/2005 Konno D32/21

* cited by examiner

Primary Examiner—Ruth McInroy

(74) *Attorney, Agent, or Firm*—Birch, Stewart, Kolasch &
Birch, LLP

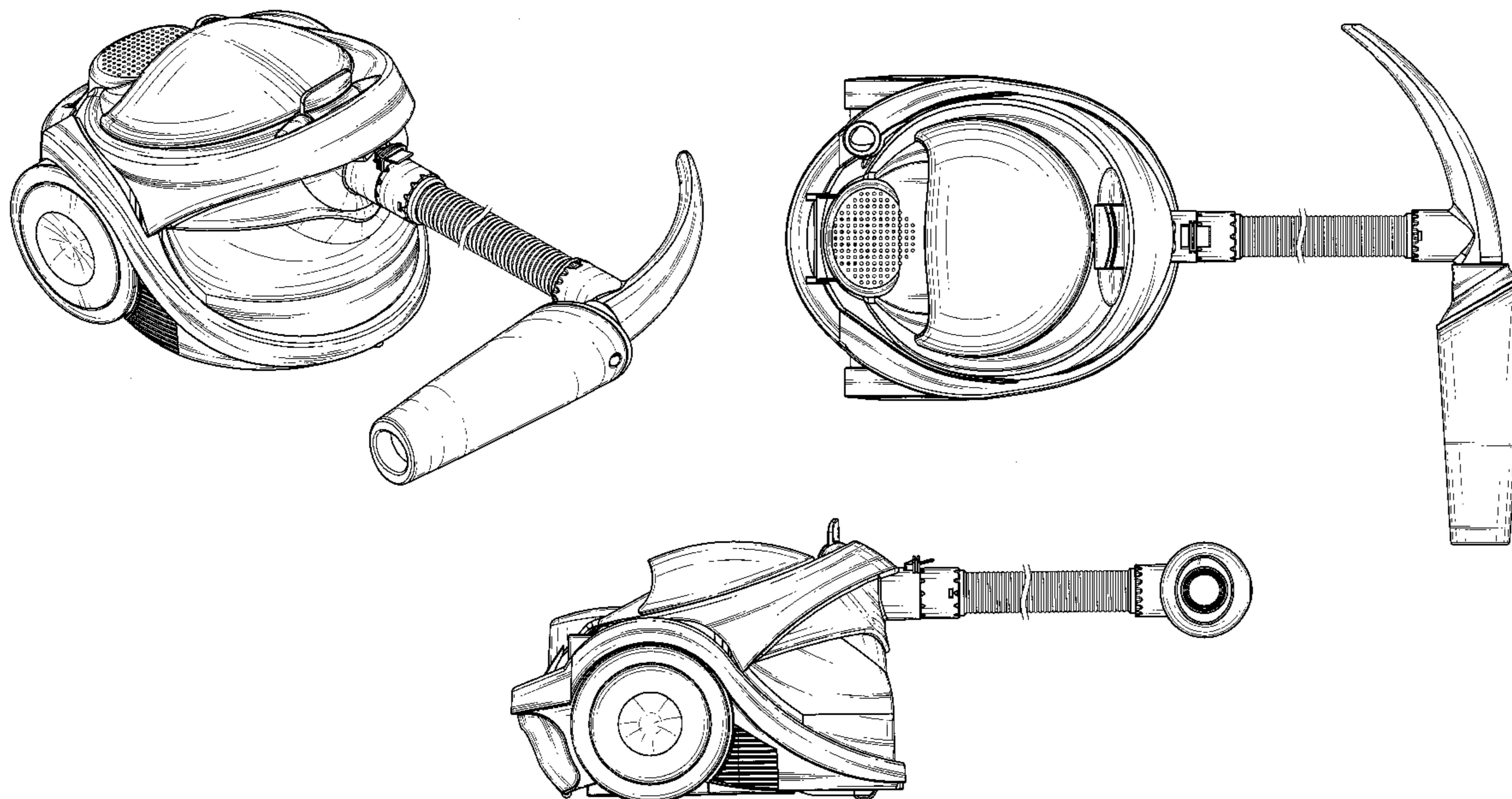
(57) **CLAIM**

The ornamental design for water filter vacuum cleaner, as shown and described.

DESCRIPTION

FIG. 1 is a perspective view of “water filter vacuum cleaner” showing my new design thereof;
FIG. 2 is a right side elevational view thereof;
FIG. 3 is a top plan view thereof;
FIG. 4 is a front side elevational view thereof;
FIG. 5 is a bottom plan view thereof;
FIG. 6 is a left side elevational view thereof; and,
FIG. 7 is a rear side elevational view thereof.

1 Claim, 6 Drawing Sheets



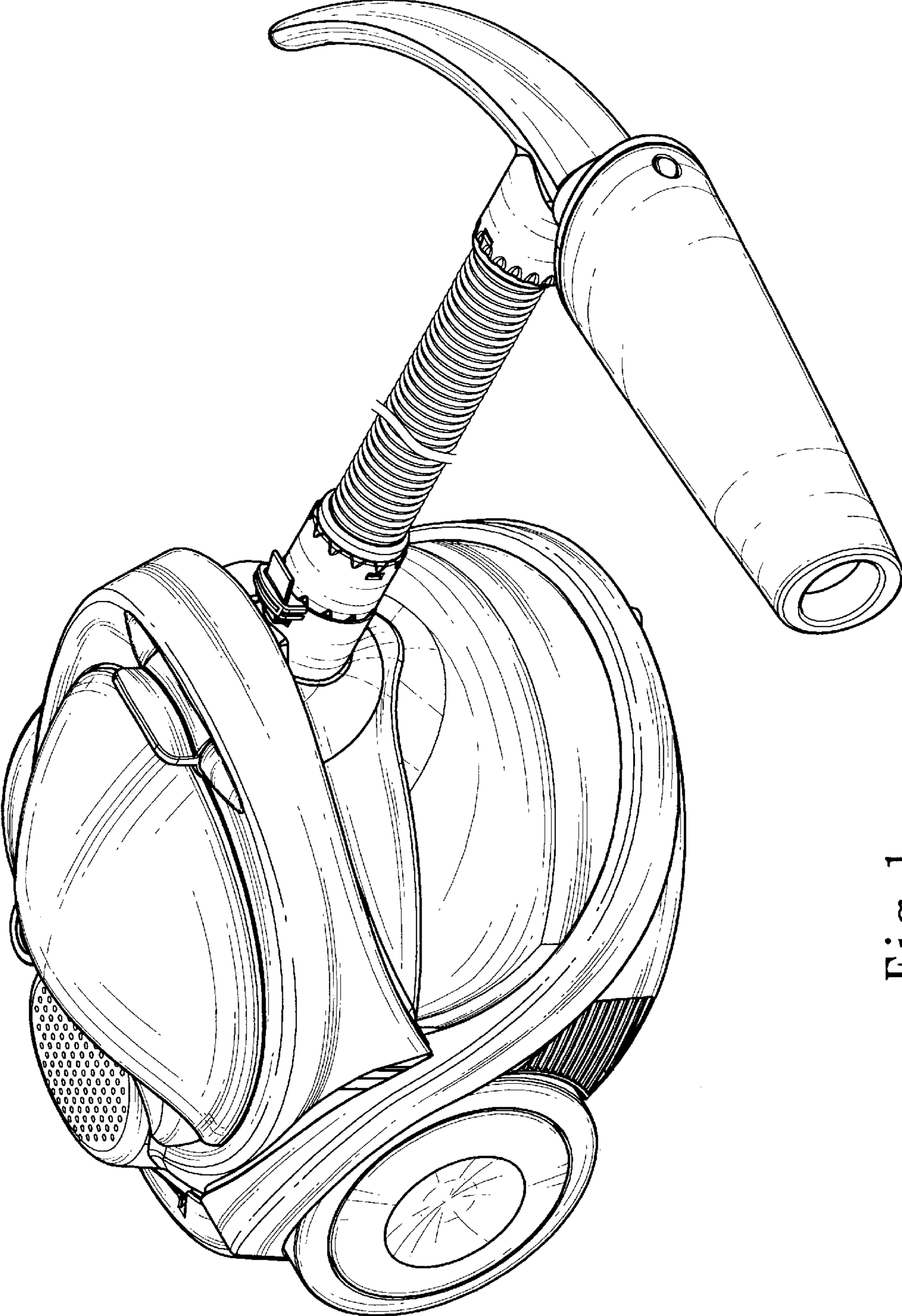


Fig. 1

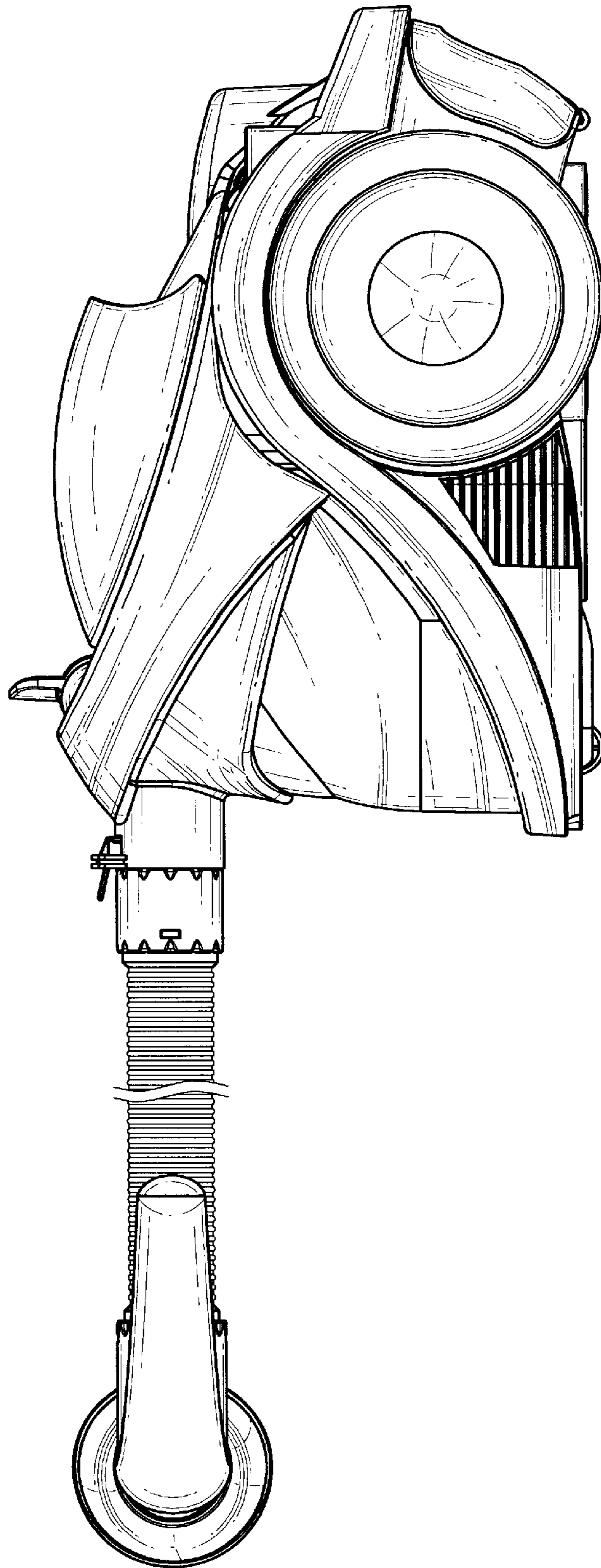


Fig. 2

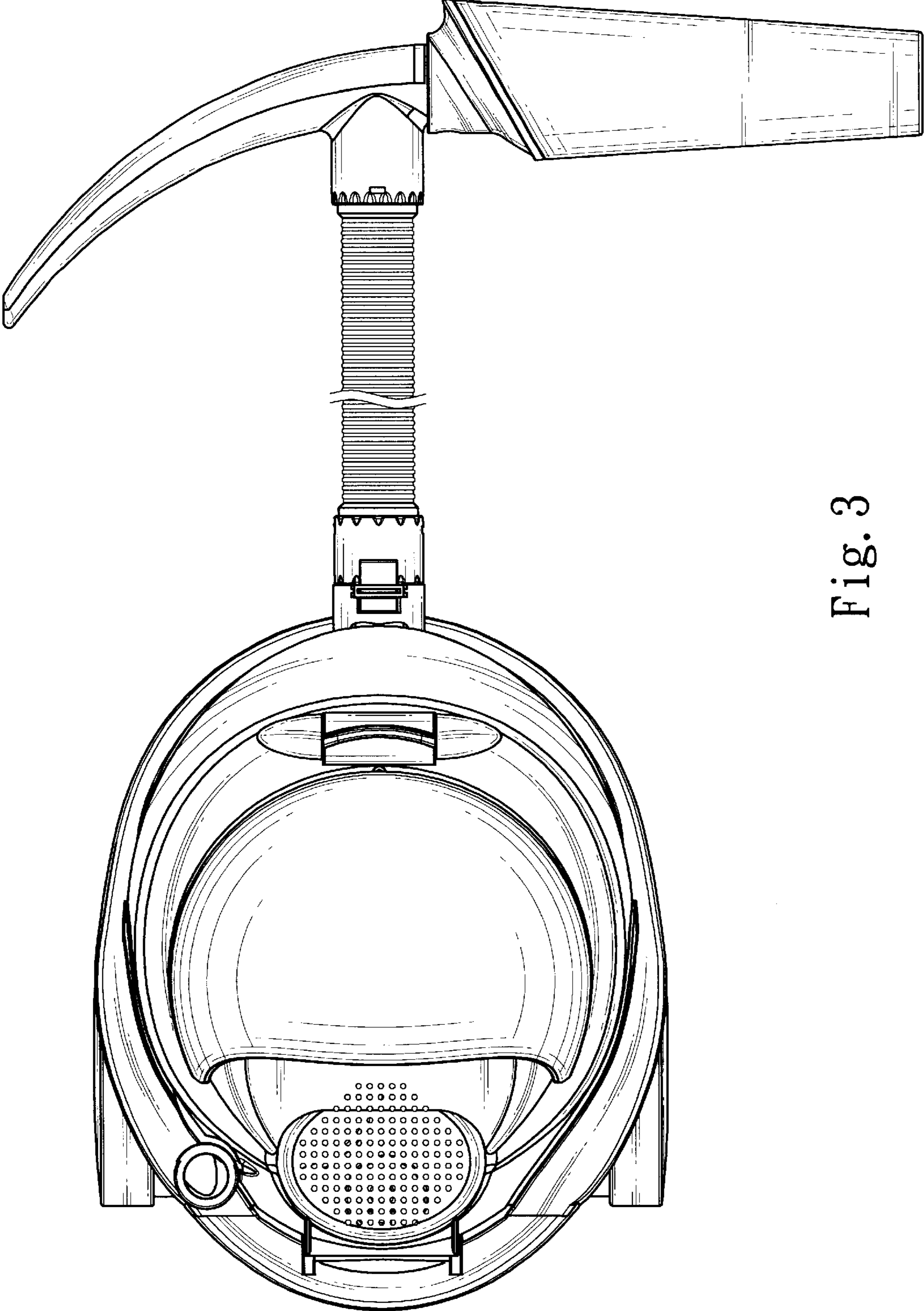


Fig. 3

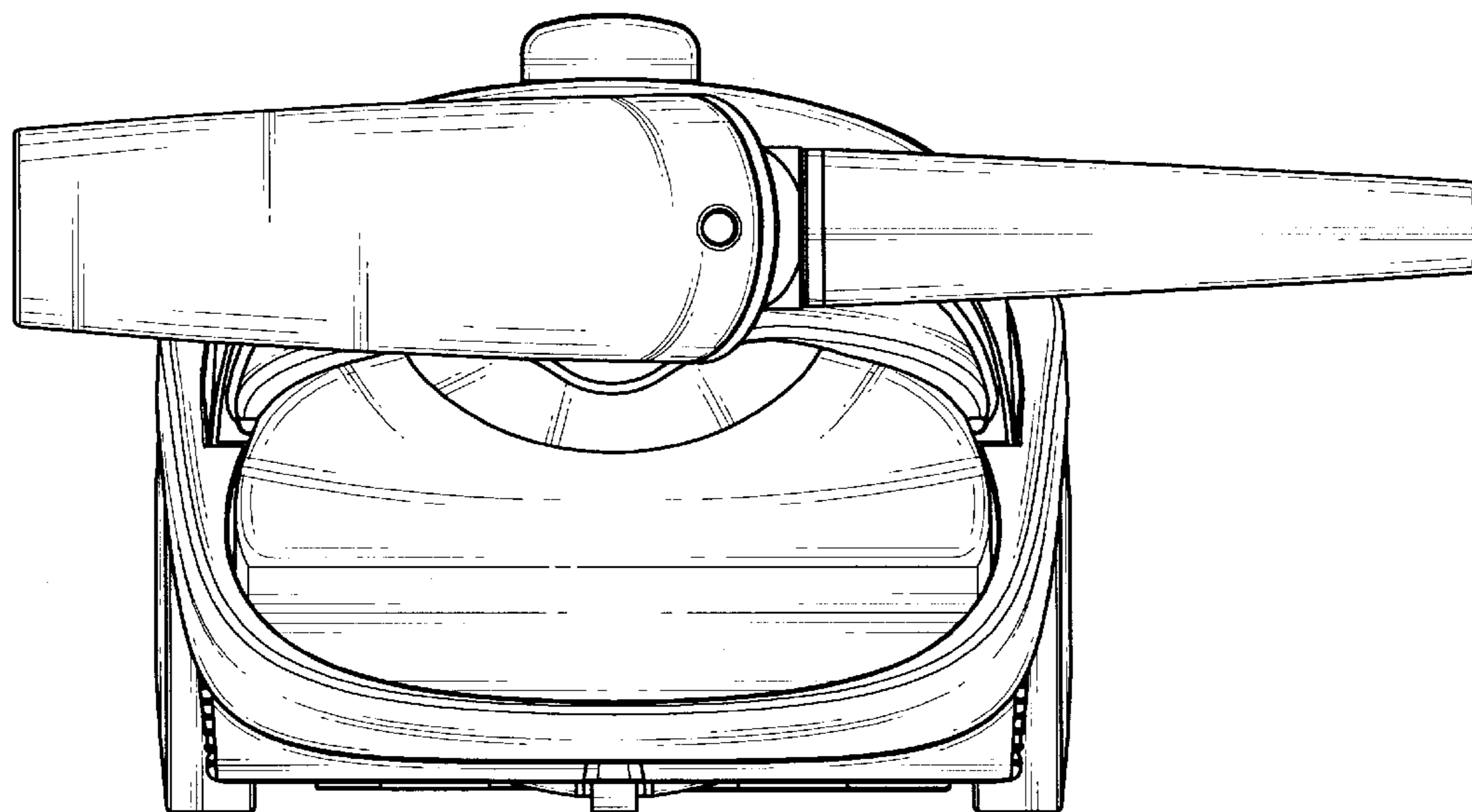


Fig. 4

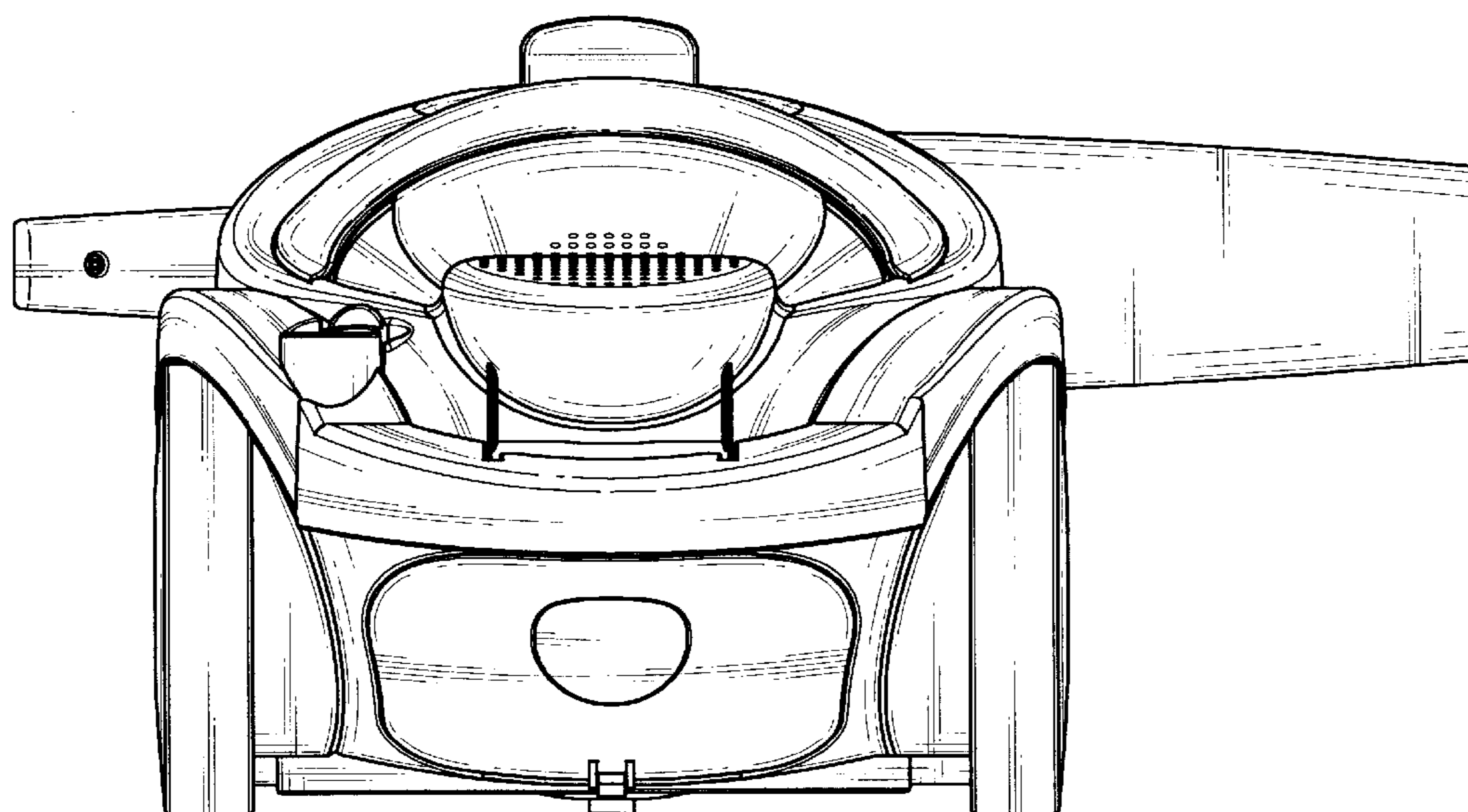


Fig. 7

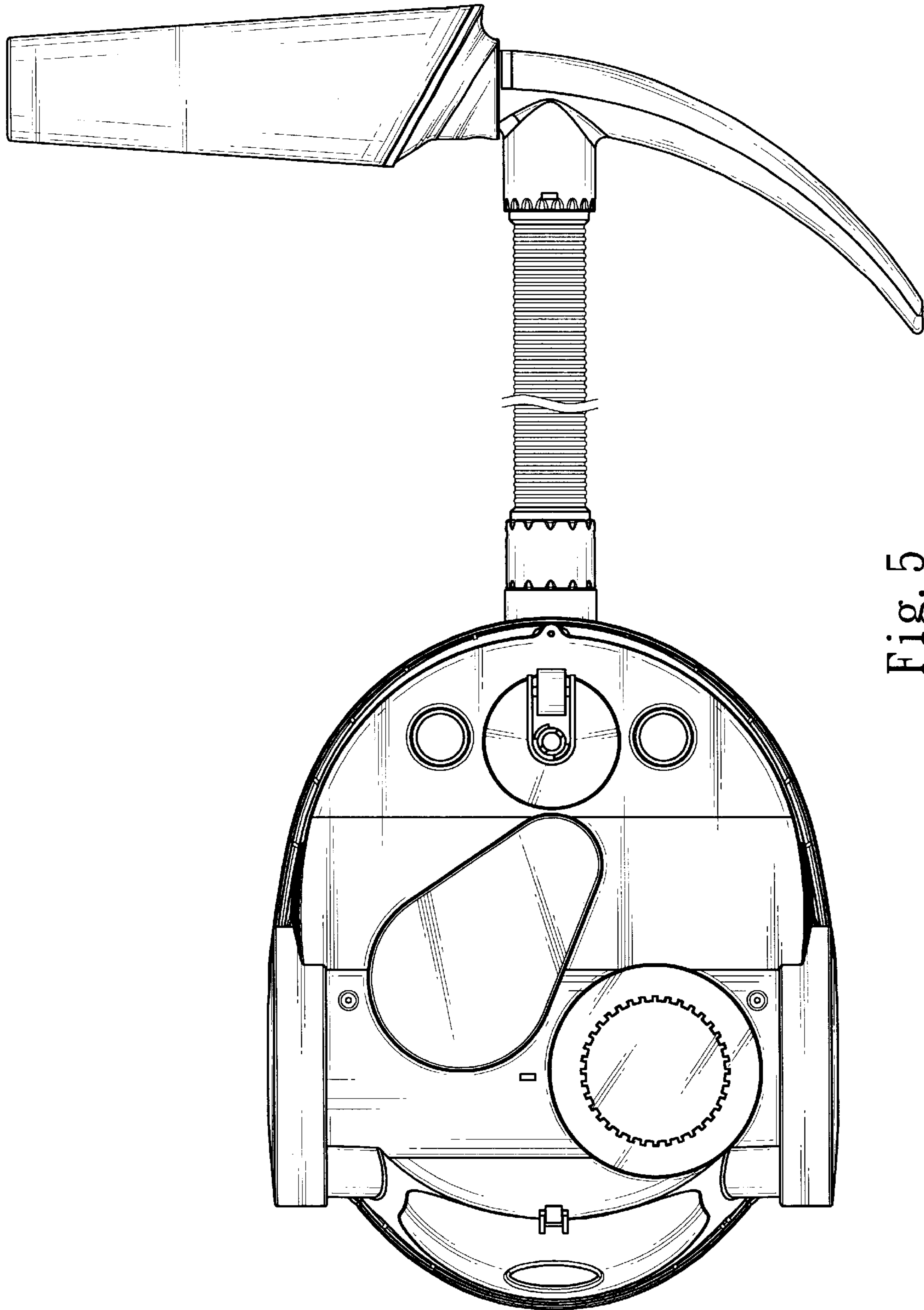


Fig. 5

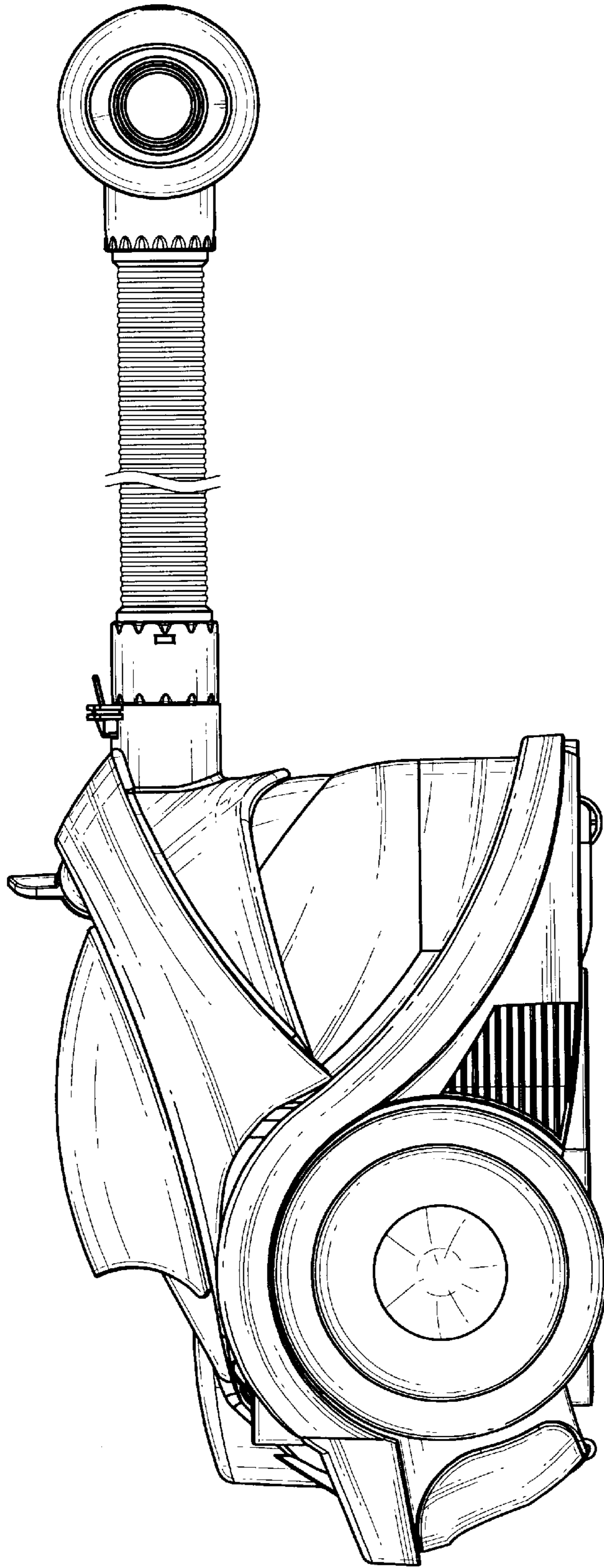


Fig. 6