



US00D521696S

(12) **United States Design Patent**
Choi

(10) **Patent No.:** **US D521,696 S**

(45) **Date of Patent:** **** May 23, 2006**

(54) **BODY OF VACUUM CLEANER**

(75) Inventor: **Kyu Kwan Choi**, Anyang-shi (KR)

(73) Assignee: **LG Electronics Inc.**, Seoul (KR)

(**) Term: **14 Years**

(21) Appl. No.: **29/217,848**

(22) Filed: **Nov. 24, 2004**

(30) **Foreign Application Priority Data**

Jun. 7, 2004 (KR) 30-2004-0016884

(51) **LOC (8) Cl.** **15-05**

(52) **U.S. Cl.** **D32/21**

(58) **Field of Classification Search** D32/17-18,
D32/21-24, 31; 15/143.1, 320-321, 323,
15/327.1, 327.2, 327.4, 327.5, 327.6, 327.7,
15/329, 344, 350-353, 410, 412-413, DIG. 8,
15/DIG. 10; 55/337, 429, 459.1, 459.2, DIG. 2,
55/DIG. 3; 417/423.2; 95/268, 271
See application file for complete search history.

(56) **References Cited**

U.S. PATENT DOCUMENTS

D399,617 S * 10/1998 Fujita D32/21

D417,046 S * 11/1999 Tsuruha et al. D32/21
D430,366 S * 8/2000 Sato et al. D32/21
6,484,350 B1 * 11/2002 Yung 15/327.1
D493,585 S * 7/2004 Choi D32/21
D493,586 S * 7/2004 Choi D32/21
D508,152 S * 8/2005 Konno D32/21

* cited by examiner

Primary Examiner—Ruth McInroy

(74) *Attorney, Agent, or Firm*—Birch, Stewart, Kolasch & Birch, LLP

(57) **CLAIM**

I claim the ornamental design for body of vacuum cleaner, as shown and described.

DESCRIPTION

FIG. 1 is a perspective view of body of vacuum cleaner showing the new design:

FIG. 2 is a front elevation view thereof;

FIG. 3 is a rear elevation view thereof;

FIG. 4 is a left-side elevation view thereof;

FIG. 5 is a right-side elevation view thereof;

FIG. 6 is a top plan view thereof; and,

FIG. 7 is a bottom plan view thereof.

1 Claim, 5 Drawing Sheets

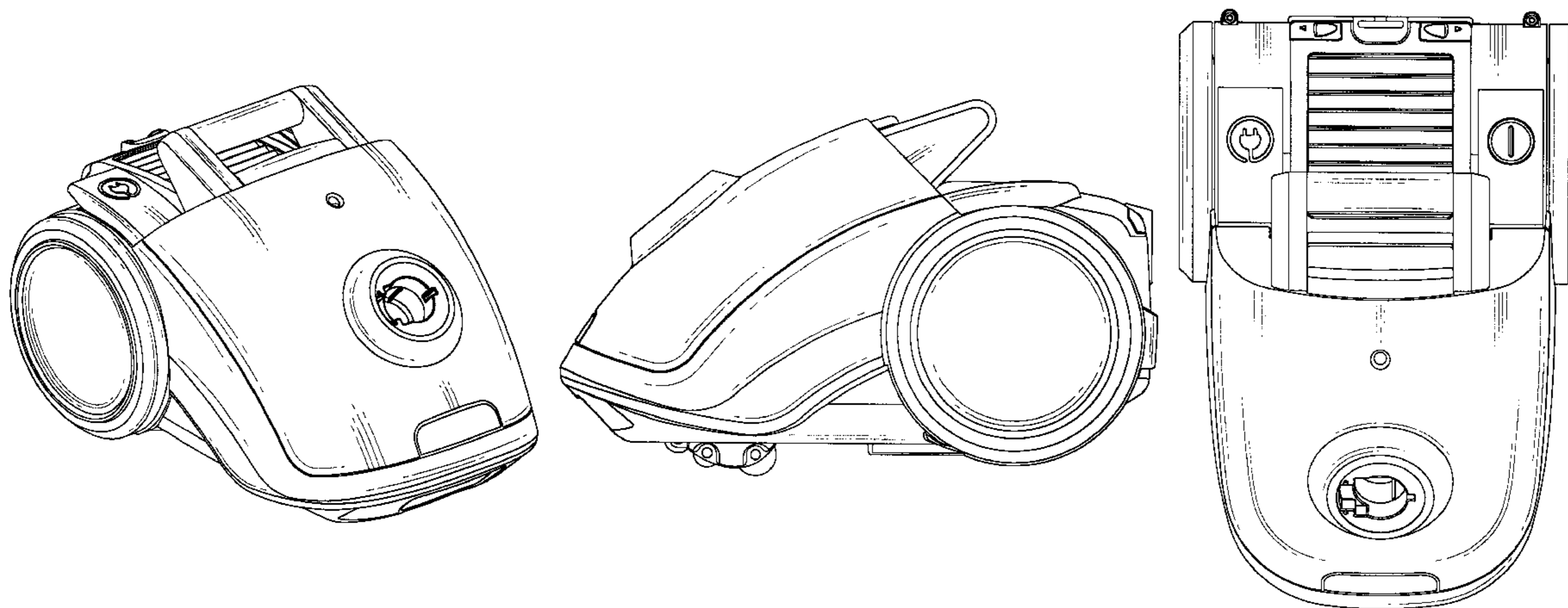


FIG. 1

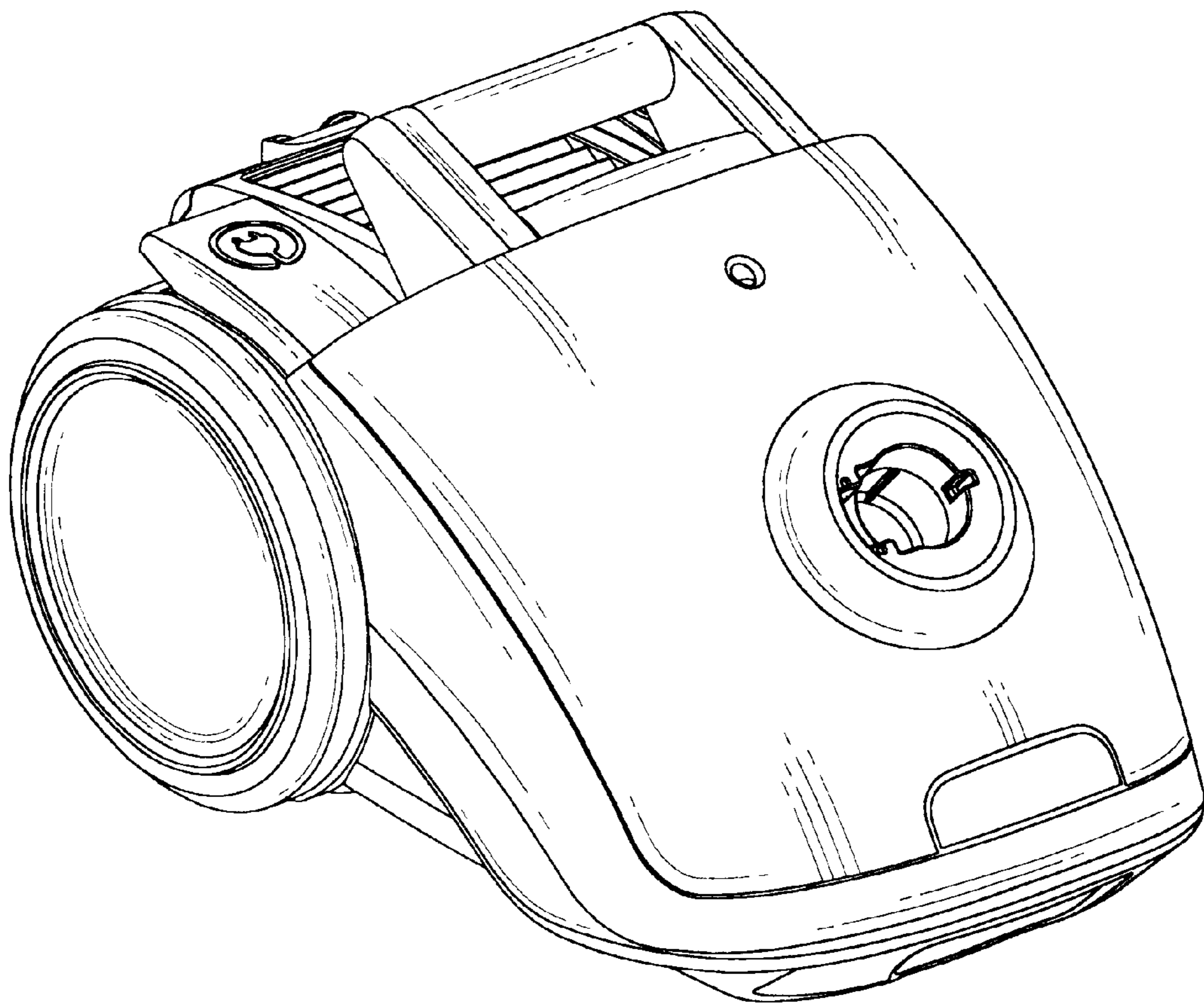


FIG. 2

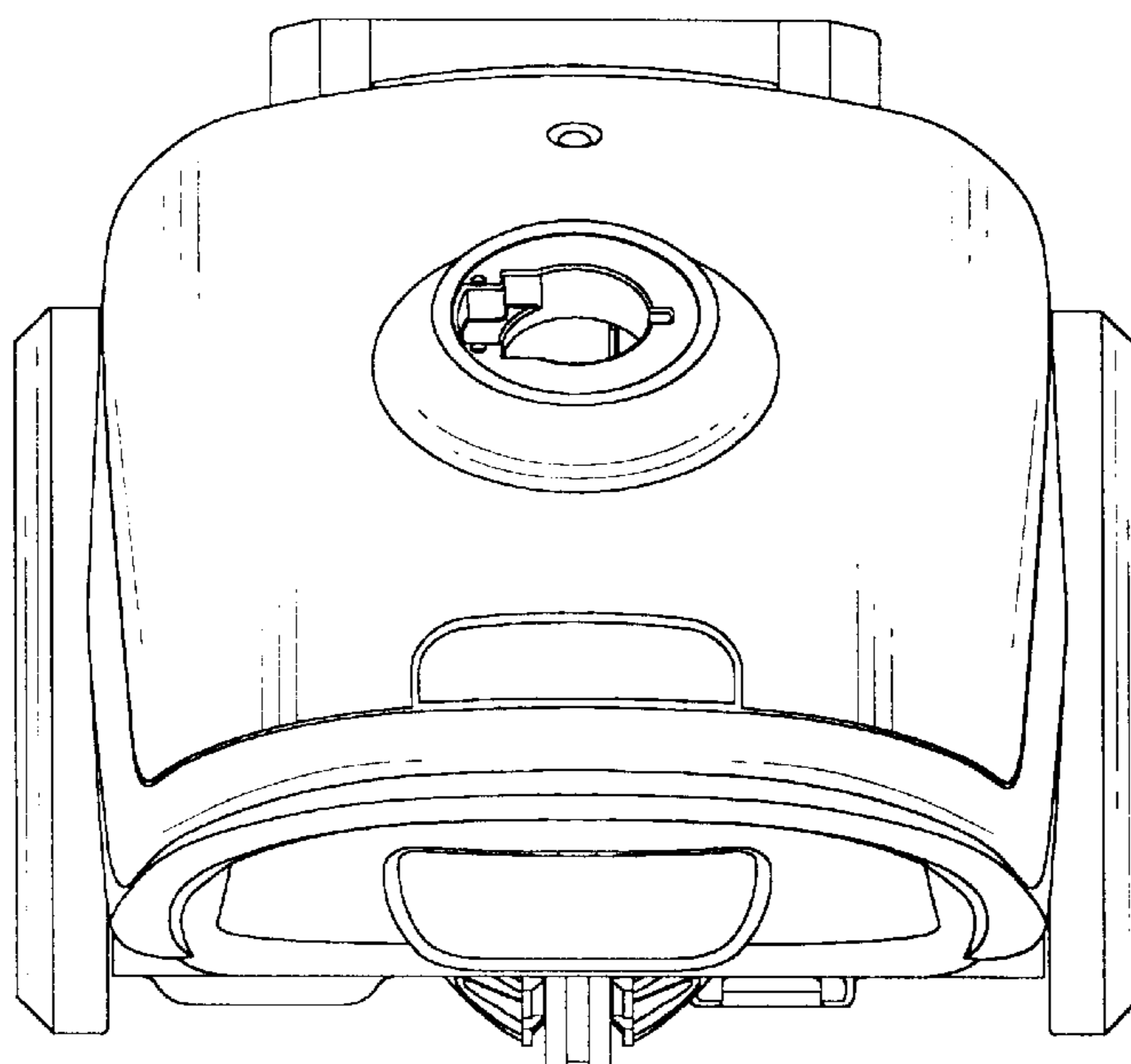


FIG. 3

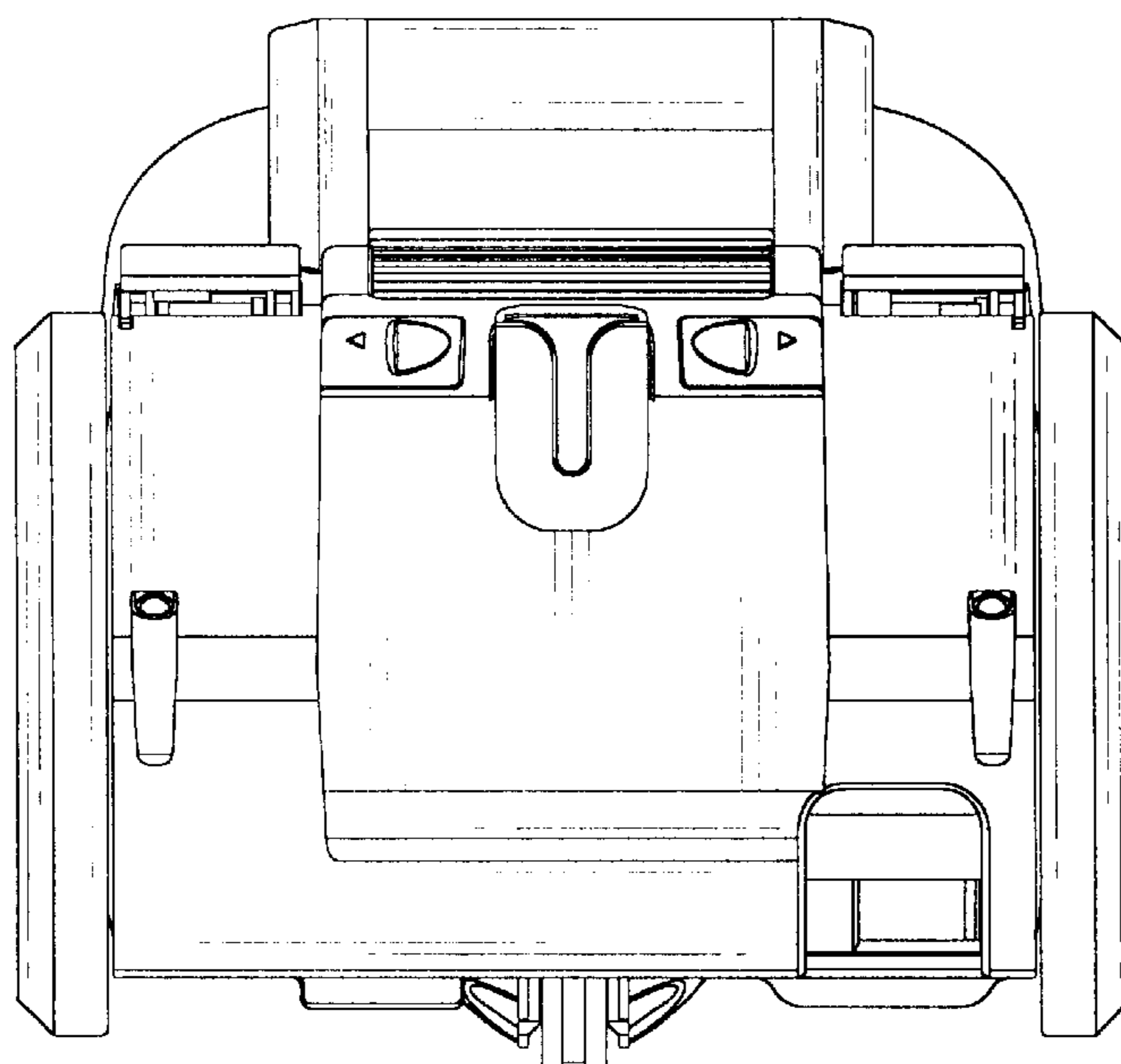


FIG. 4

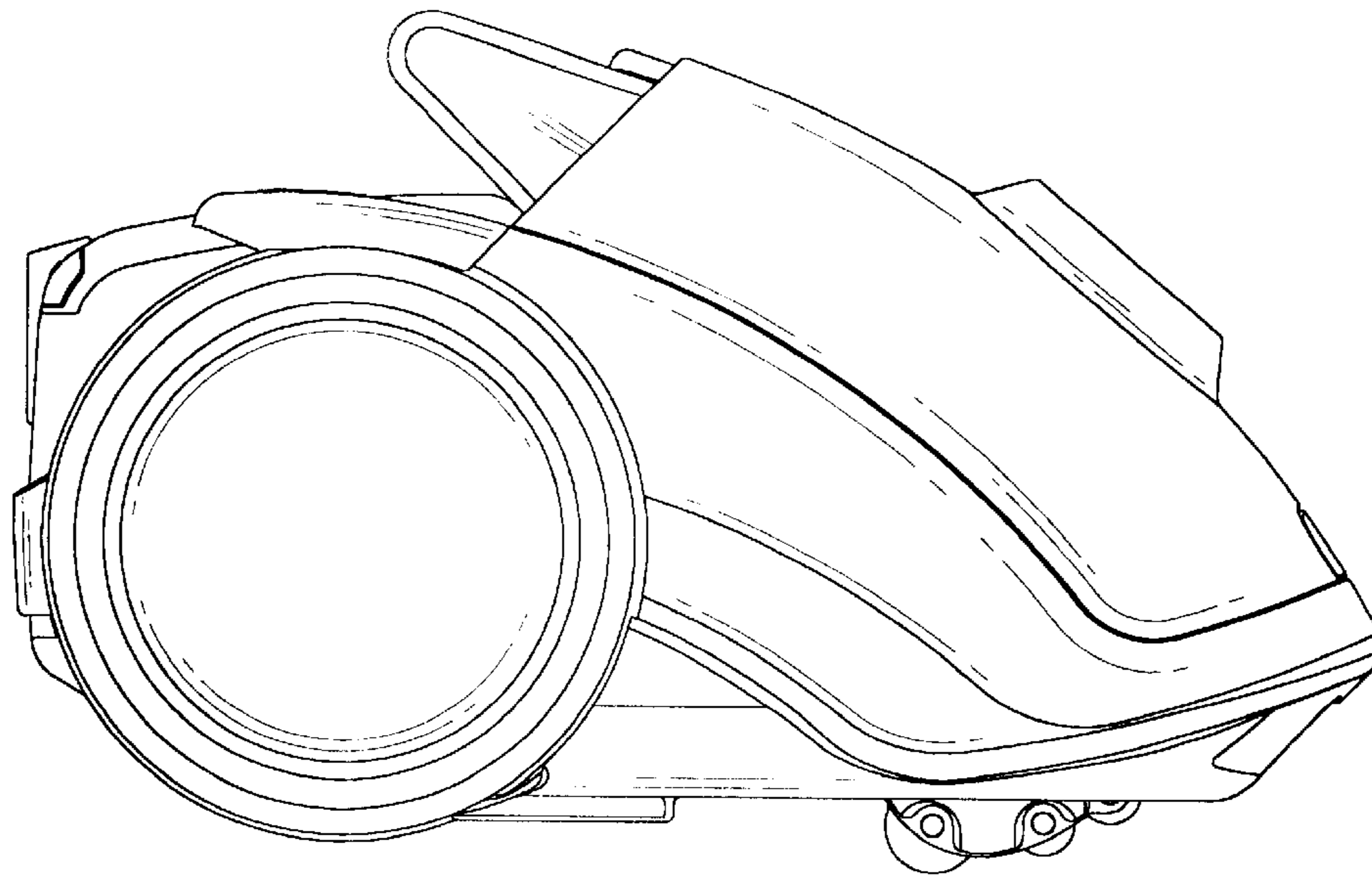


FIG. 5

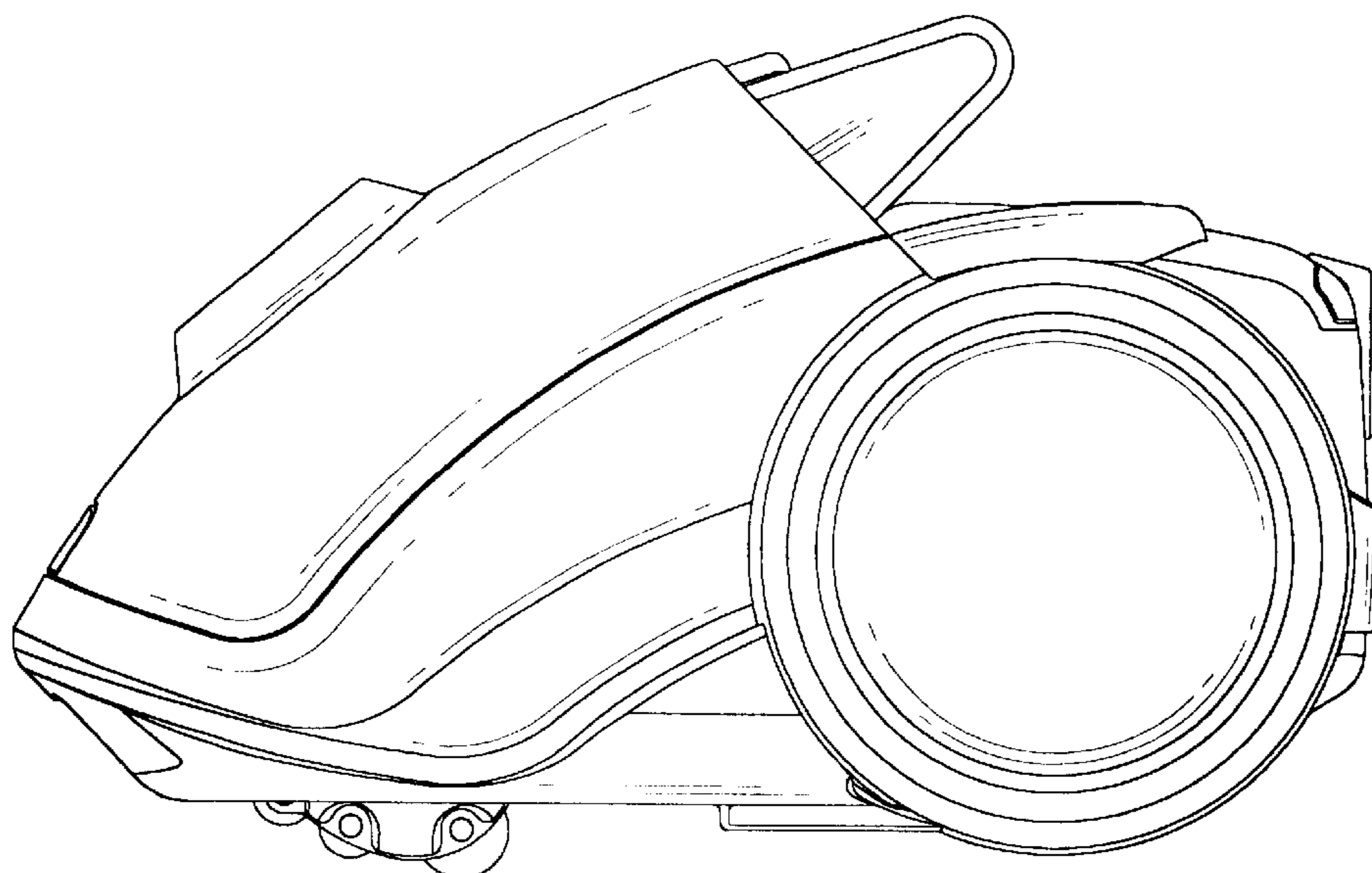


FIG. 6

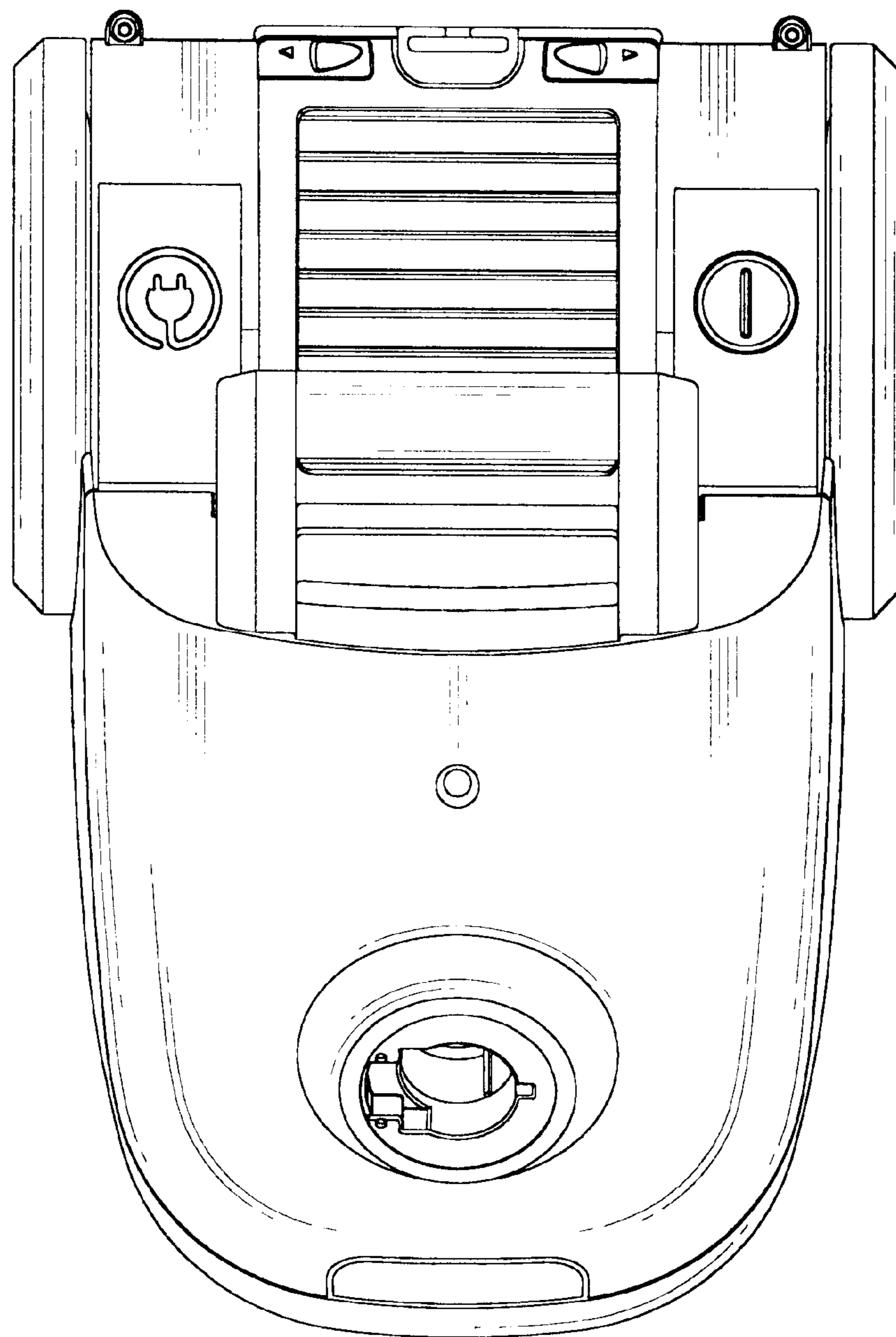


FIG. 7

