



US00D521695S

(12) **United States Design Patent**  
**Jacobs et al.**

(10) **Patent No.:** **US D521,695 S**

(45) **Date of Patent:** **\*\* May 23, 2006**

(54) **BACKPACK CANISTER VACUUM CLEANER**

(75) Inventors: **Mark Jacobs**, Glendale, CA (US);  
**Jesus J. Pena**, Yorba Linda, CA (US);  
**Steve R. Gerke**, Azusa, CA (US)

(73) Assignee: **EDIC**, Los Angeles, CA (US)

(\*\*) Term: **14 Years**

(21) Appl. No.: **29/217,061**

(22) Filed: **Nov. 12, 2004**

(51) **LOC (8) Cl.** ..... **15-05**

(52) **U.S. Cl.** ..... **D32/21**

(58) **Field of Classification Search** ..... D32/17-18,  
D32/21-24, 31; 15/143.1, 320-321, 323,  
15/327.1, 327.2, 327.4, 327.5, 327.6, 327.7,  
15/329, 344, 350-353, 410, 412-413, DIG. 8,  
15/DIG. 10; 55/337, 429, 459.1, 459.2, DIG. 2,  
55/DIG. 3; 417/423.2; 95/268, 271  
See application file for complete search history.

(56) **References Cited**

**U.S. PATENT DOCUMENTS**

D312,517 S \* 11/1990 Hohrein et al. .... D32/23

D315,234 S \* 3/1991 Frisell ..... D32/21  
D326,747 S \* 6/1992 Stickle ..... D32/21  
D398,426 S \* 9/1998 Bisson ..... D32/21  
D446,365 S \* 8/2001 Bisson ..... D32/21  
D455,531 S \* 4/2002 Cartellone ..... D32/23  
D459,039 S \* 6/2002 Bisson ..... D32/21  
6,553,610 B1 \* 4/2003 Shideler ..... 15/327.5

\* cited by examiner

*Primary Examiner*—Ruth McInroy

(74) *Attorney, Agent, or Firm*—John E. Wagner

(57) **CLAIM**

An ornamental design for a backpack canister vacuum cleaner, as shown and described.

**DESCRIPTION**

FIG. 1 is a perspective view of a backpack canister vacuum cleaner;

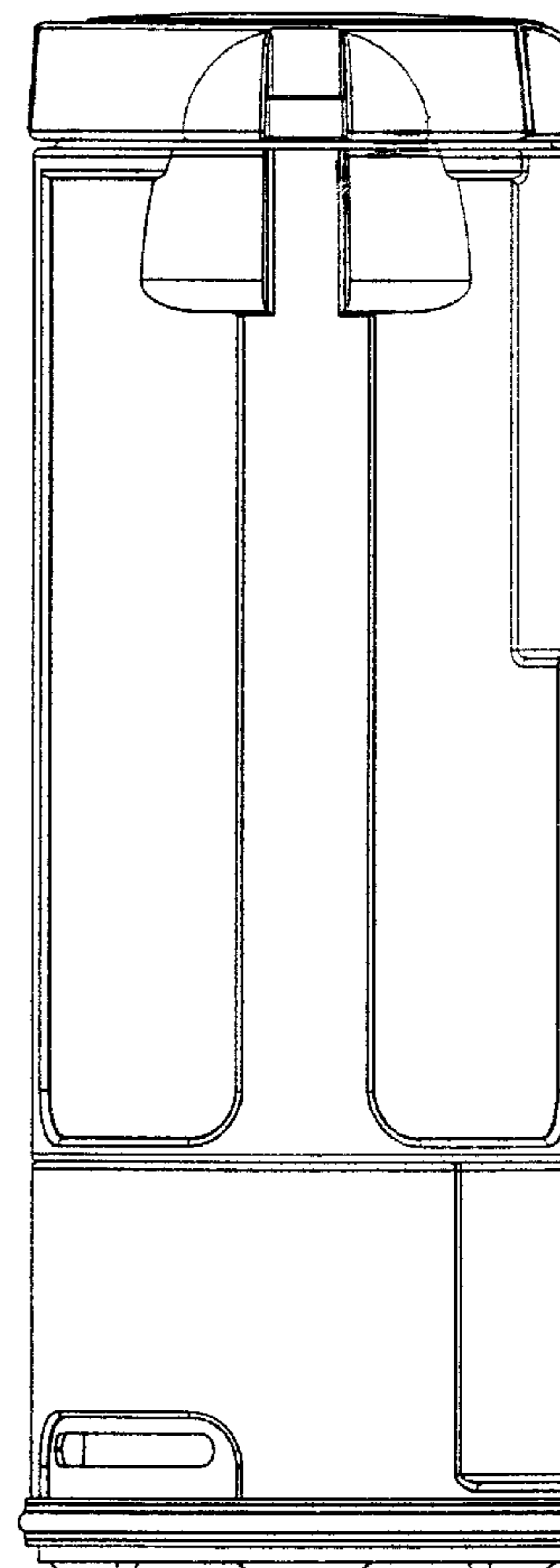
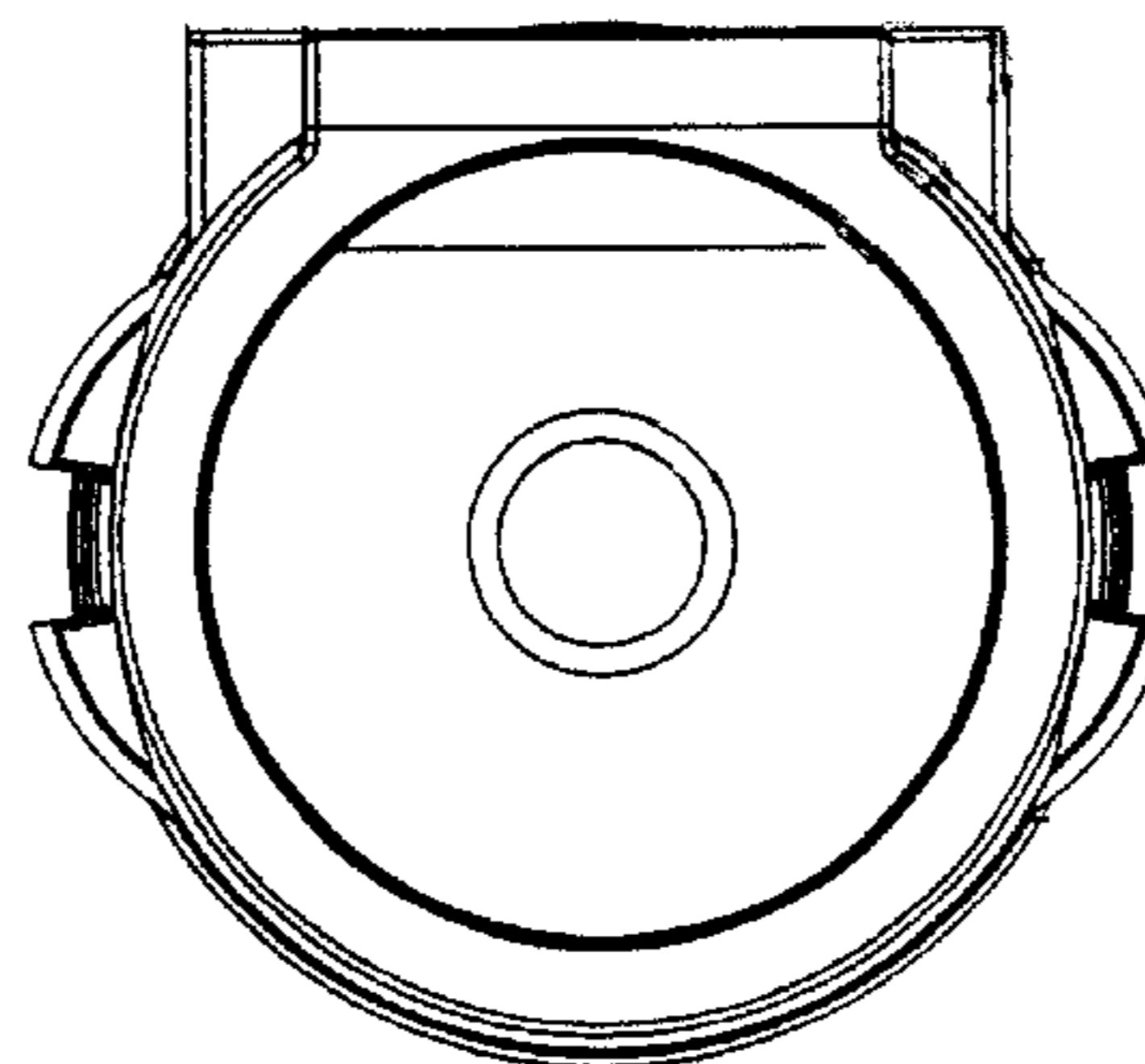
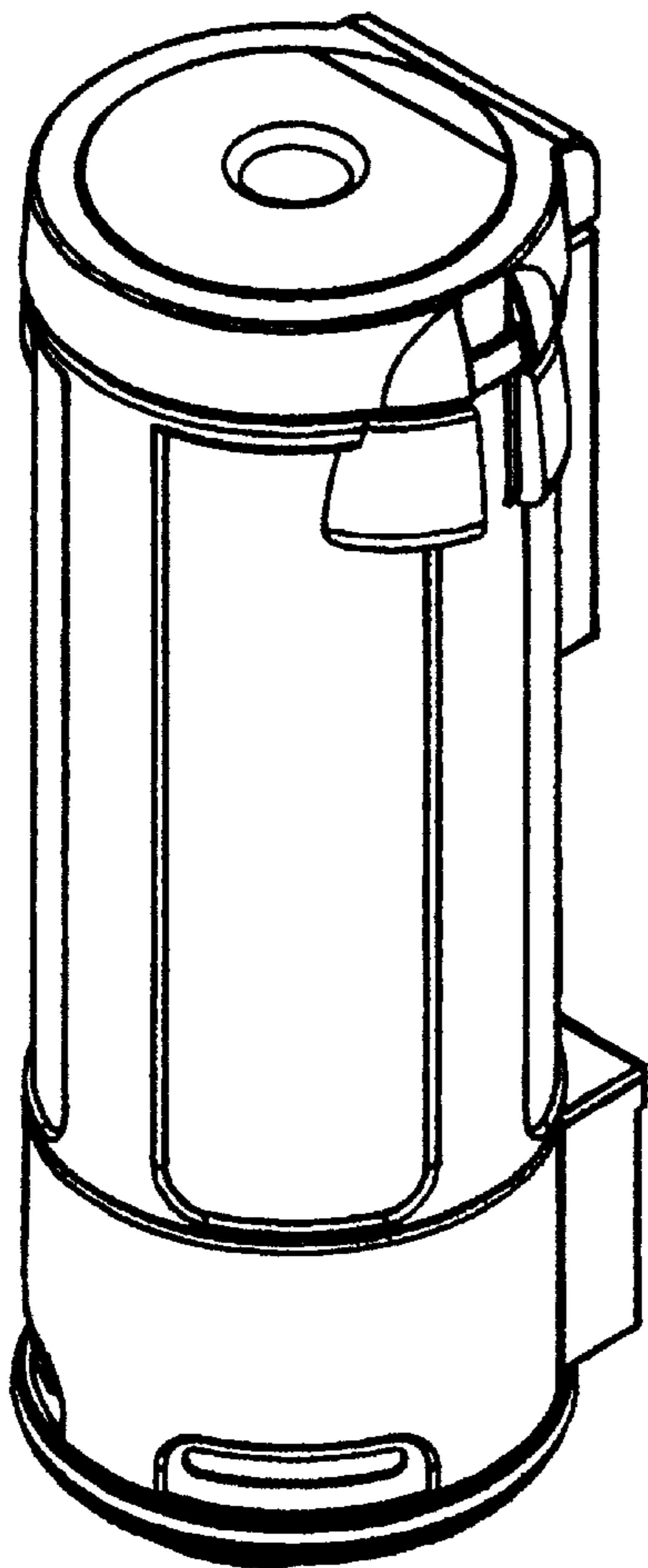
FIG. 2 is a top plan view thereof;

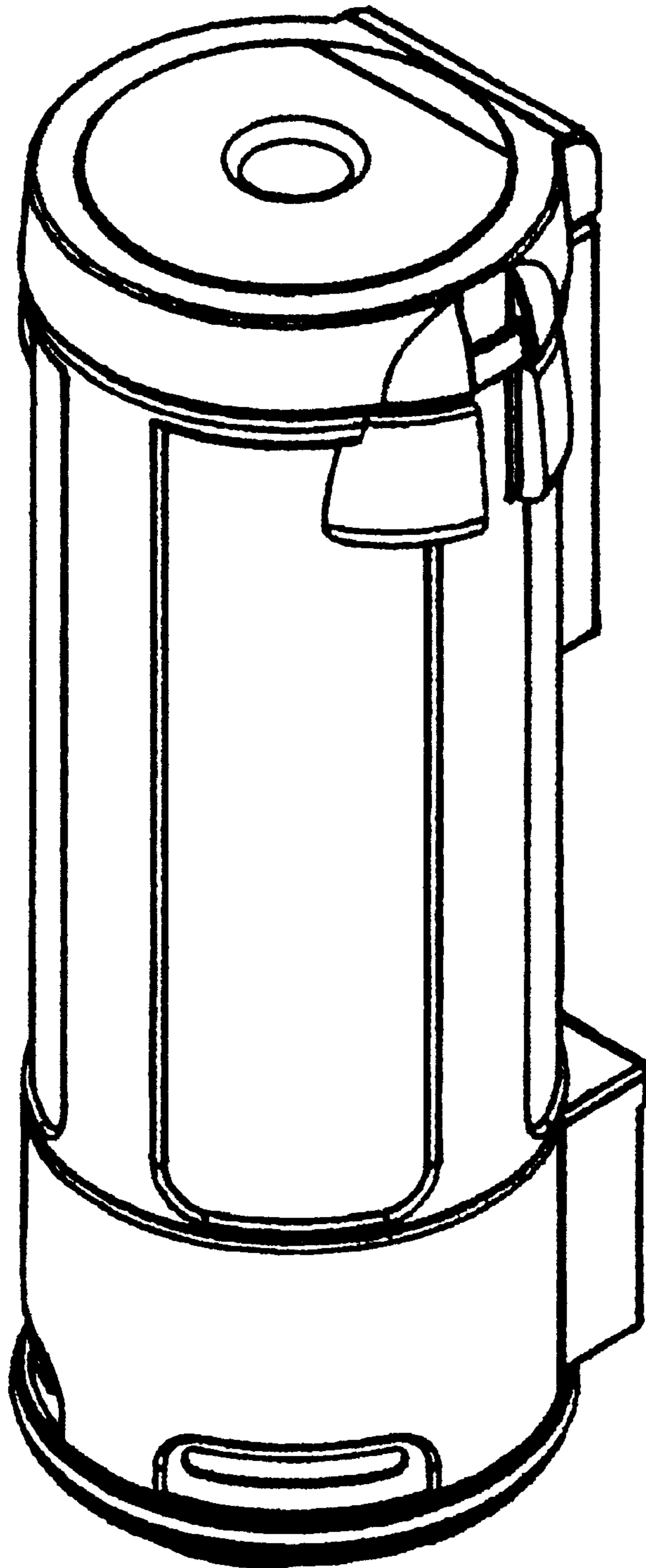
FIG. 3 is a rear elevational view thereof;

FIG. 4 is a right side elevational view thereof, the opposite side being a mirror image; and,

FIG. 5 is a front elevational view thereof.

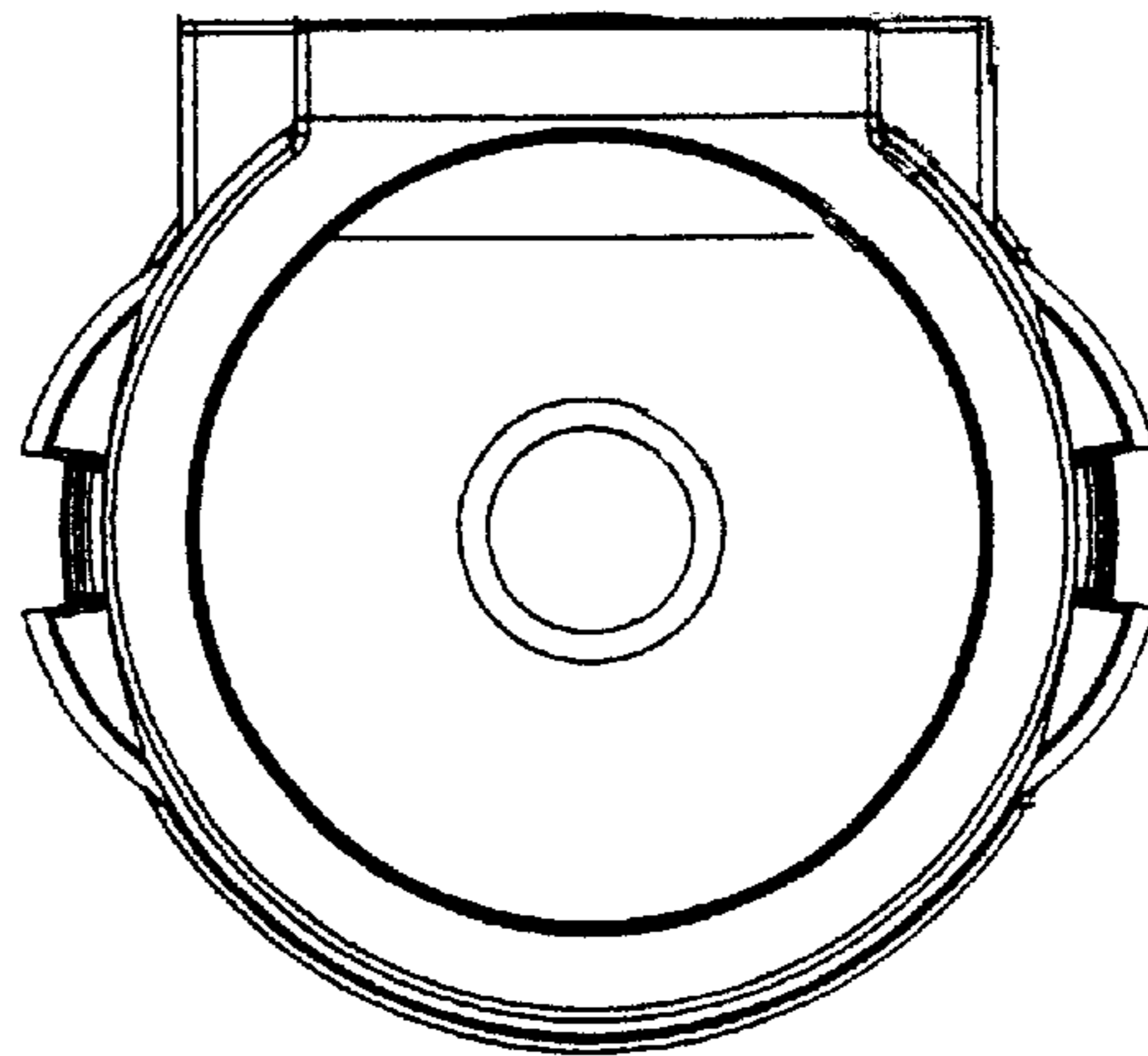
**1 Claim, 4 Drawing Sheets**



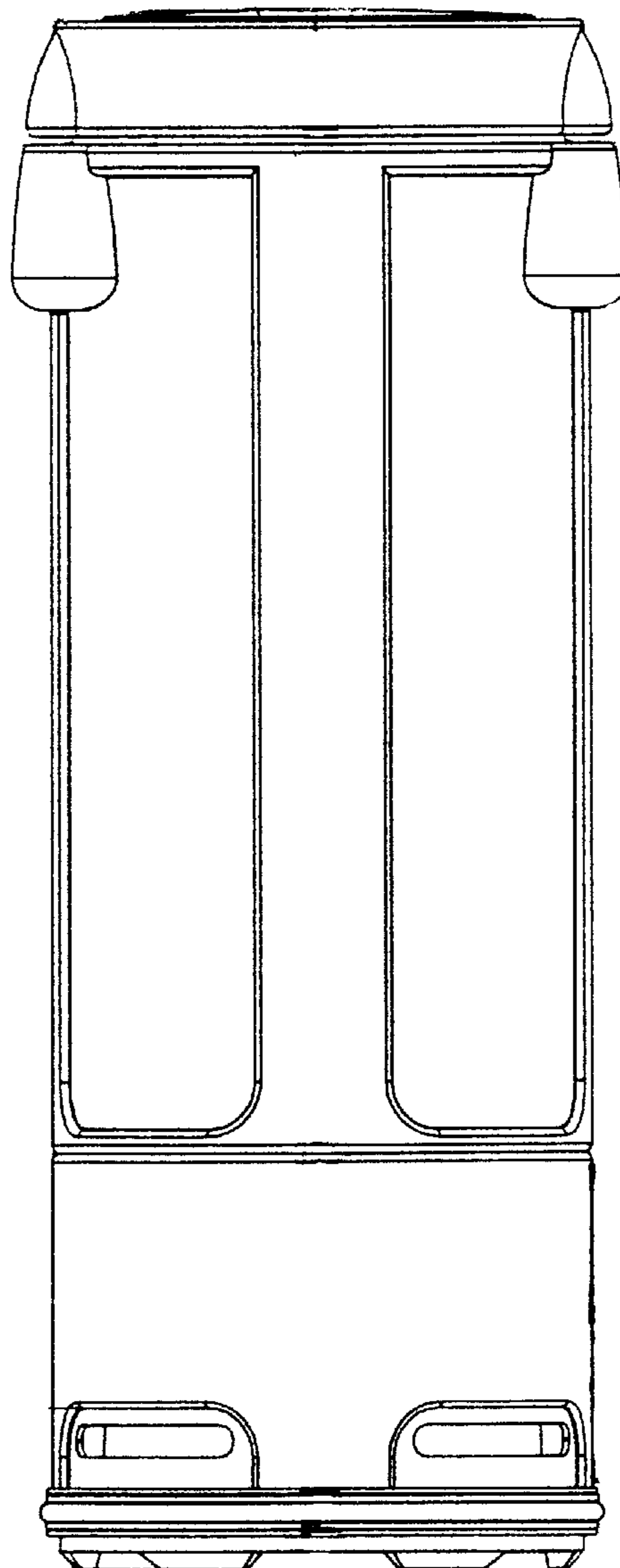


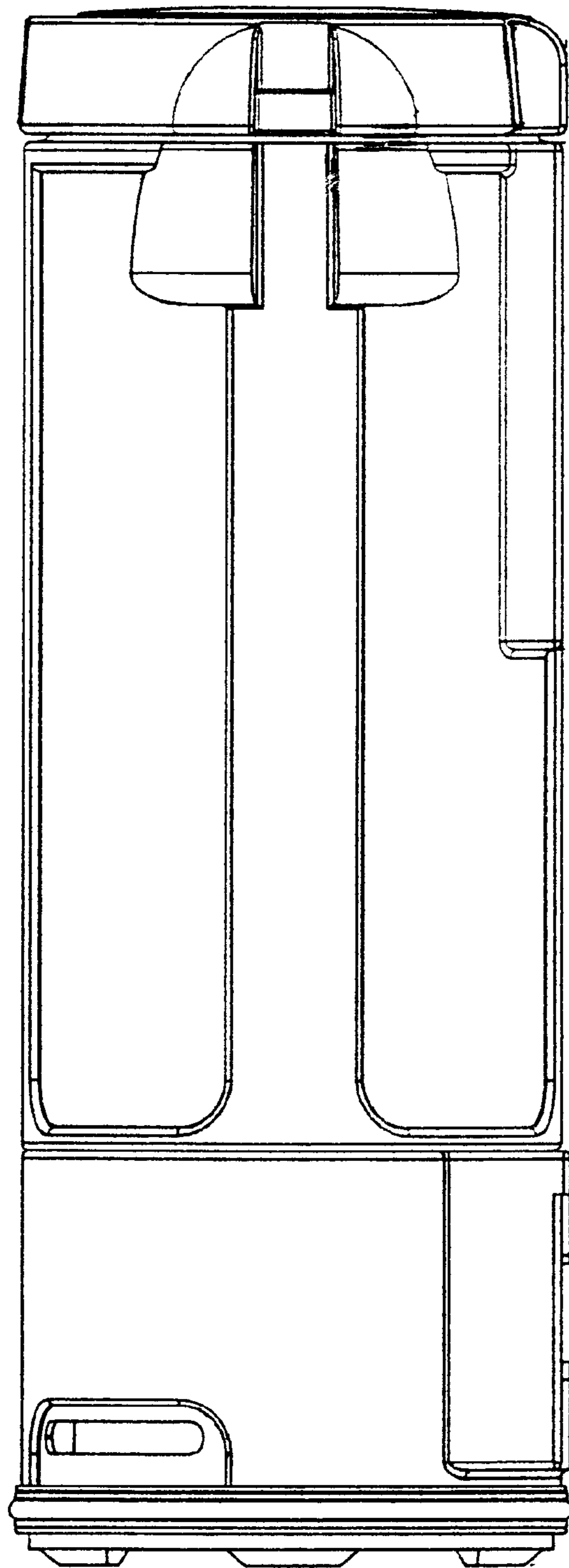
**Fig. 1**

**Fig. 2**

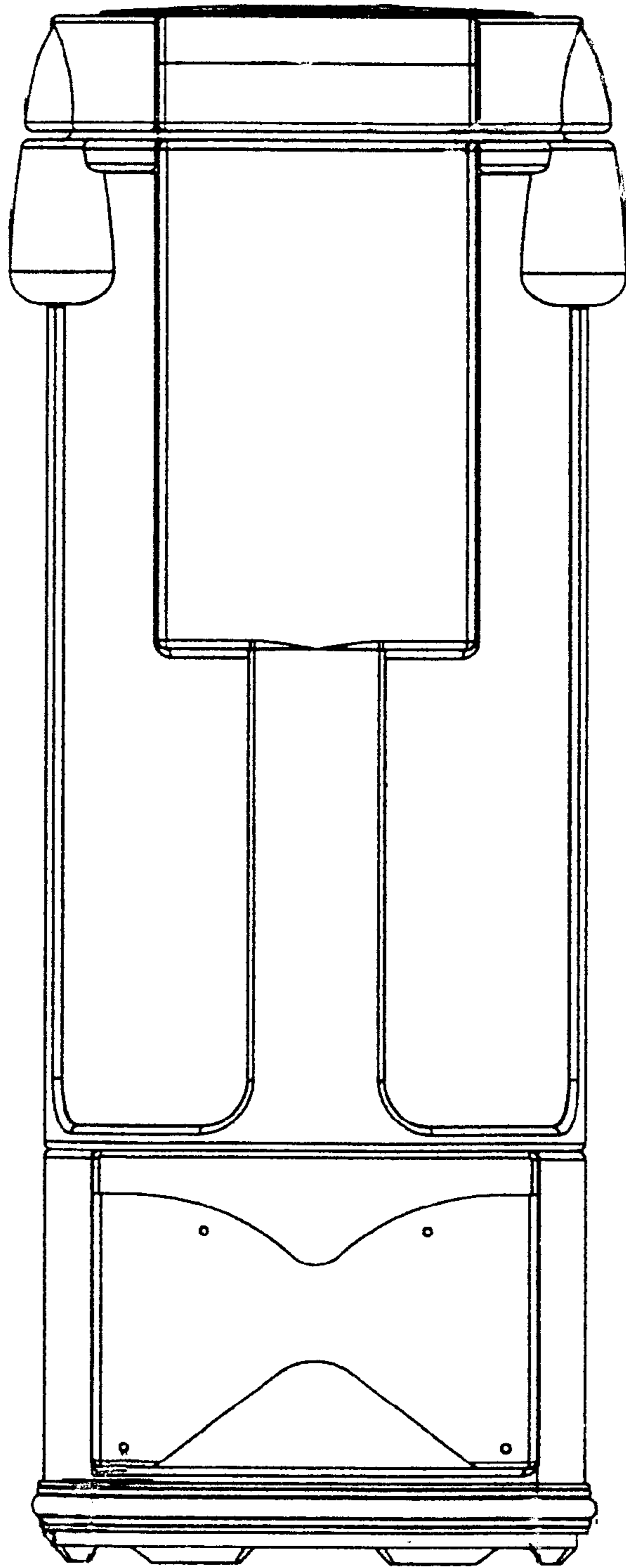


**Fig. 3**





**Fig. 4**



**Fig. 5**