

US00D521692S

(12) **United States Design Patent**
Mazurka

(10) **Patent No.:** **US D521,692 S**

(45) **Date of Patent:** **** May 23, 2006**

(54) **SHOW BLANKET FOR HORSES**

6,663,537 B1 * 12/2003 McCoy 482/23

(76) Inventor: **Lisa K. Mazurka**, 28 Welsh Rd.,
Sutton, MA (US) 01590

* cited by examiner

(**) Term: **14 Years**

Primary Examiner—Alan P. Douglas

Assistant Examiner—Susan Moon Lee

(21) Appl. No.: **29/212,882**

(74) *Attorney, Agent, or Firm*—Holland & Bonzagni, P.C.;
Donald S. Holland, Esq.

(22) Filed: **Sep. 8, 2004**

(57) **CLAIM**

(51) **LOC (8) Cl.** **30-01**

The ornamental design for a “show blanket for horses”, as
shown and described.

(52) **U.S. Cl.** **D30/145**

(58) **Field of Classification Search** 5/482,

DESCRIPTION

5/487, 494, 496, 500–501, 417, 420; D30/145;

FIG. 1 is a top perspective view of a “show blanket for
horses”, showing a preferred embodiment of my new
design;

54/79.1–79.4, 65, 41.1, 66; 119/850; 2/456,

FIG. 2 is a top plan view of the “show blanket” of FIG. 1;
FIG. 3 is a bottom plan view of the “show blanket” of FIG.
1;

2/719; D29/100; D6/602–603, 582–583,

D6/585, 594, 608, 595; D5/53; D24/206;

165/46; 219/211, 528, 529; D11/3, 5

See application file for complete search history.

FIG. 4 is an end view of the “show blanket” of FIG. 1, taken
from either end, as the views from both ends are identical;
and,

(56) **References Cited**

U.S. PATENT DOCUMENTS

331,469 A * 12/1885 Baker 428/179

3,466,852 A * 9/1969 Stoner 54/65

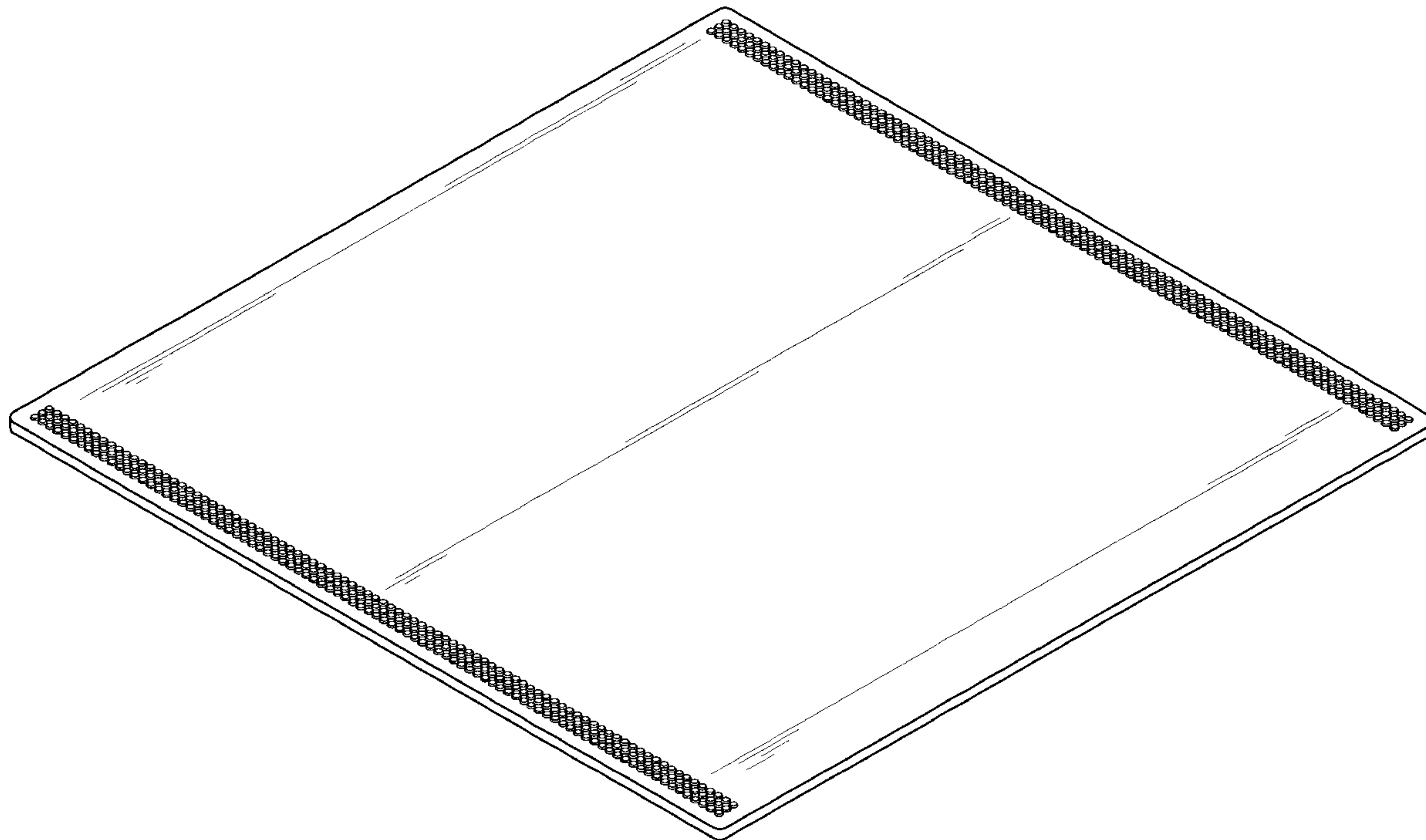
3,871,037 A * 3/1975 Willington 5/500

D379,893 S * 6/1997 Dilbeck D6/602

6,238,758 B1 * 5/2001 Lin 428/36.9

FIG. 5 is a side elevational view of the “show blanket” of
FIG. 1, taken from either side, as the views from both sides
are identical.

1 Claim, 4 Drawing Sheets



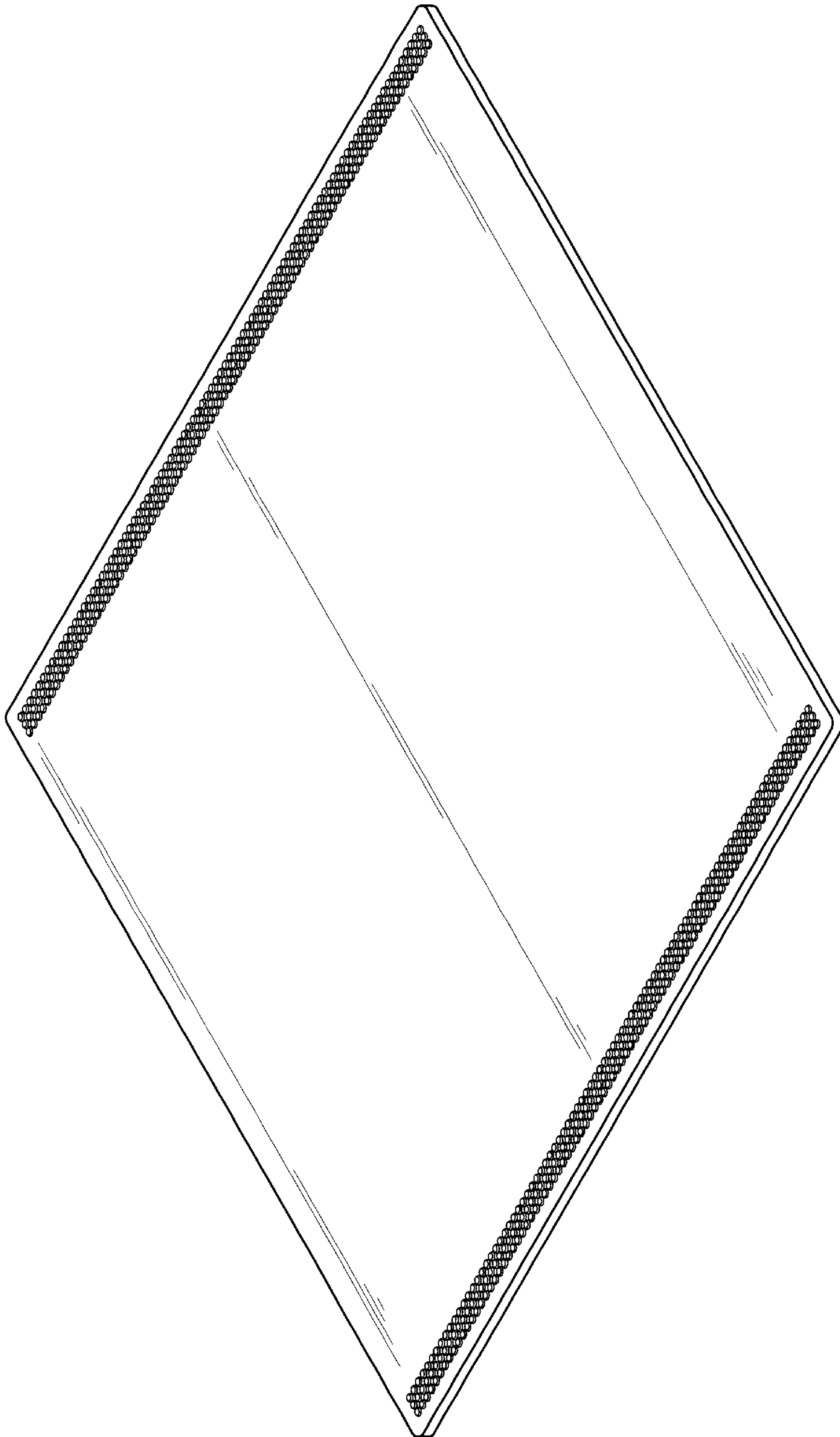


FIG 1

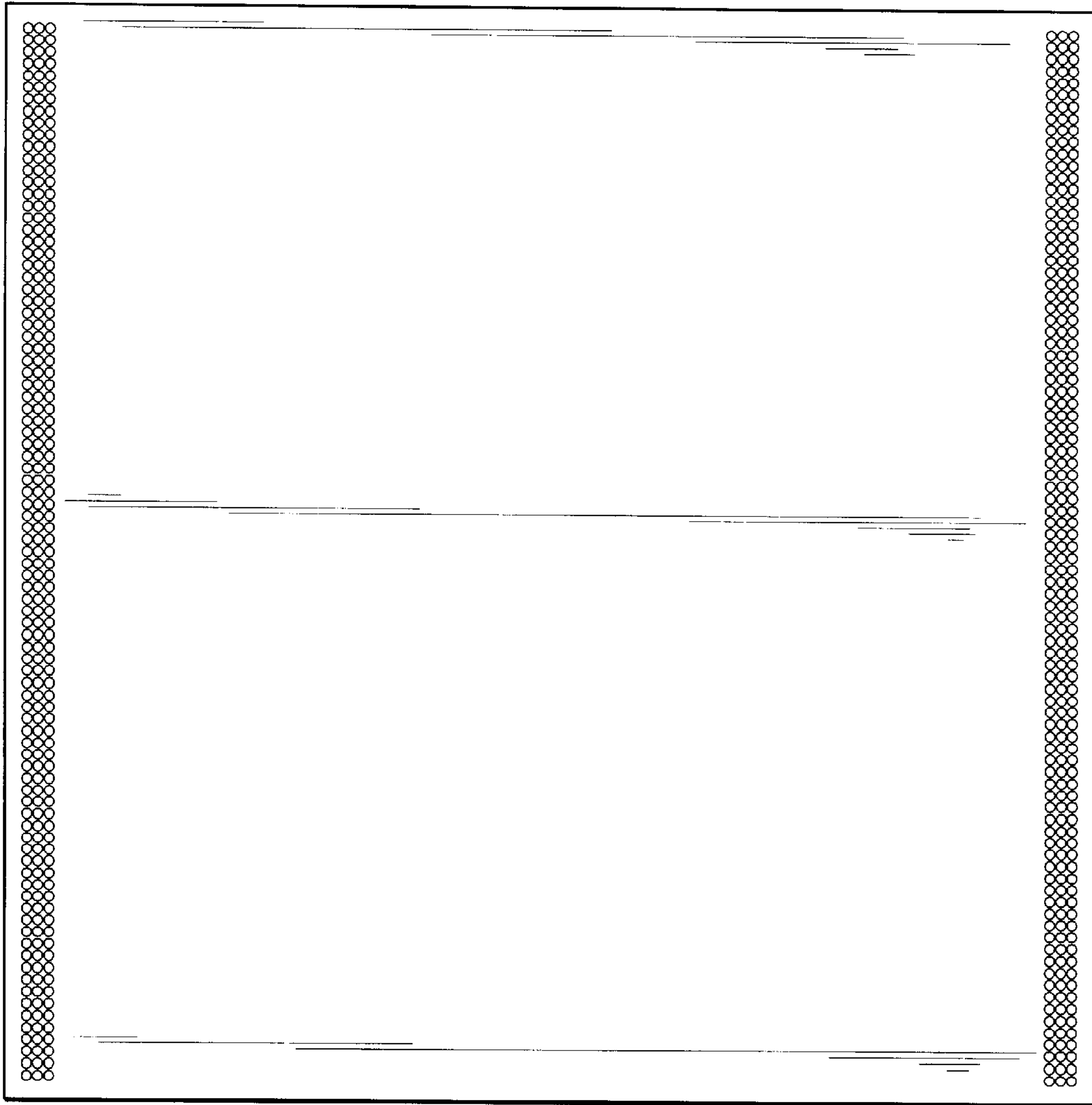


FIG 2

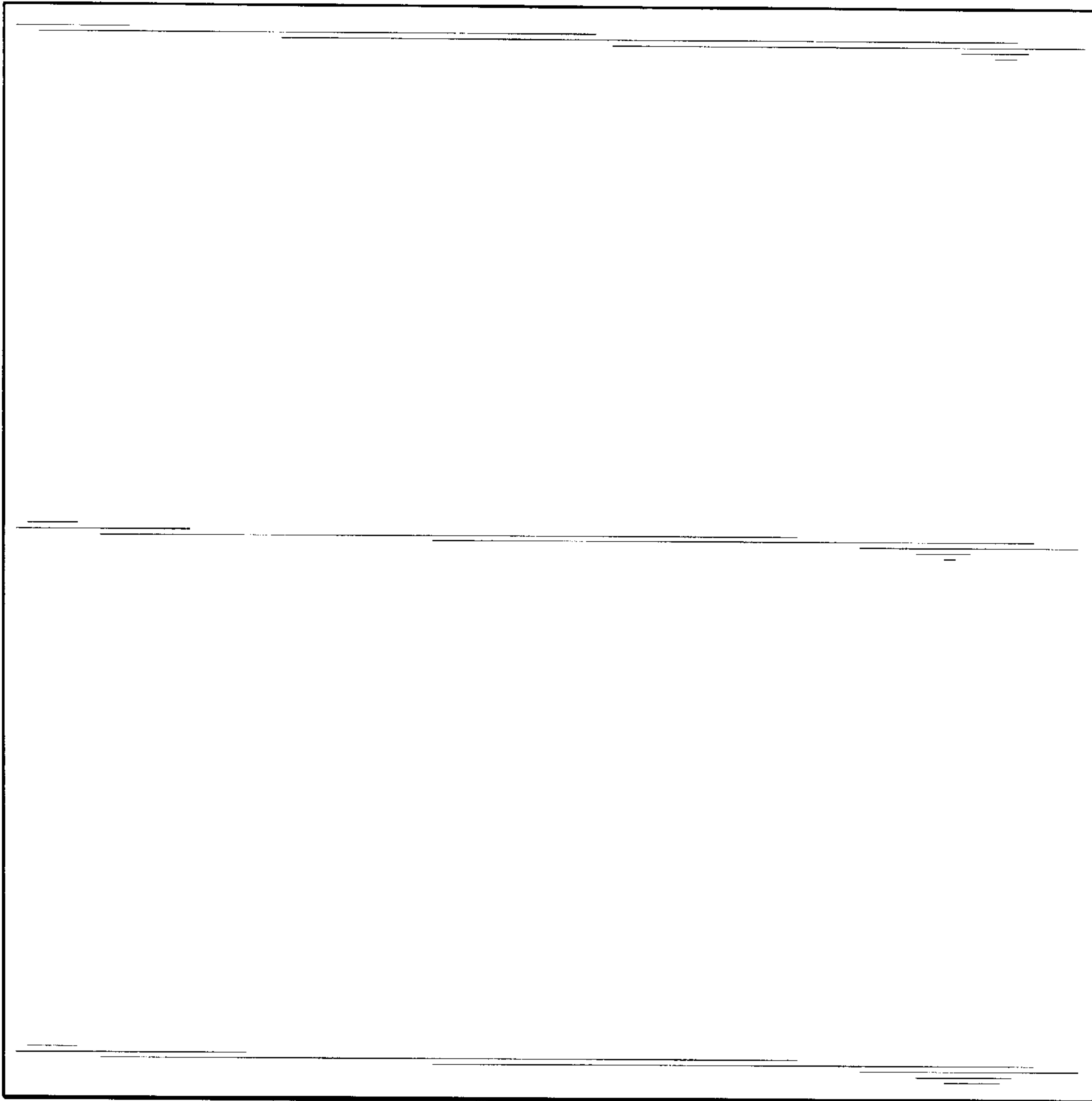


FIG 3



FIG 4



FIG 5