



US00D521690S

(12) **United States Design Patent** (10) **Patent No.:** **US D521,690 S**
Krcek et al. (45) **Date of Patent:** **** May 23, 2006**

(54) **PET FEEDING STATION**

(76) Inventors: **Amy M. Krcek**, 14608 NW. 15th Ave.,
Vancouver, WA (US) 98685; **Martin**
Krcek, 14608 NW. 15th Ave.,
Vancouver, WA (US) 98685

(**) Term: **14 Years**

(21) Appl. No.: **29/222,121**

(22) Filed: **Jan. 25, 2005**

(51) **LOC (8) Cl.** **30-03**

(52) **U.S. Cl.** **D30/133**

(58) **Field of Classification Search** D30/133,
D30/121, 128, 130, 132; D6/480-485; 119/52.1,
119/55, 61.5-61.56; 248/188; 312/204; 108/153.1-157
See application file for complete search history.

(56) **References Cited**

U.S. PATENT DOCUMENTS

D89,262 S	*	2/1933	Nunimaker	D30/130
D105,450 S	*	7/1937	Clifton	D30/130
D233,872 S	*	12/1974	Jester	D6/484
4,044,723 A	*	8/1977	Fitzpatrick	119/61.5
D249,605 S	*	9/1978	Skermetta	D6/539
D292,446 S	*	10/1987	Gilbert	D3/238
D298,671 S	*	11/1988	Simerson	D30/130
D300,068 S	*	2/1989	Pritikin et al.	D30/129
D315,974 S	*	4/1991	Steiner	D30/131
D361,874 S	*	8/1995	Keller et al.	D30/129
D374,517 S	*	10/1996	Morrill	D30/133
D377,244 S	*	1/1997	Steininger	D30/133
D383,254 S	*	9/1997	Feldman et al.	D30/129
D412,377 S	*	7/1999	Sharon	D30/130
D424,759 S	*	5/2000	Sipka	D30/130
D477,691 S	*	7/2003	Crowley	D30/131

OTHER PUBLICATIONS

www.hsionline.com/products/ecbuilder2/item9155.htm
(Buddy Bowl dog bone shaped feeding station).
www.dog.com (Item 101251 "Wooden Bone-Shaped Din-
ers").*

[www.ajc.com/living/content/living/homeandgarden/photos/
tabletop/3.html](http://www.ajc.com/living/content/living/homeandgarden/photos/tabletop/3.html) (www.barkinghoundvillage.com)("Bone
shaped table").*

<http://www.bestofnewengland.com/detail.aspx?ID=914>
(Raised Pet Dish Table) Product ID: Tim-PetDish.*

* cited by examiner

Primary Examiner—Alan P. Douglas

Assistant Examiner—Susan M Lee

(74) *Attorney, Agent, or Firm*—Marger Johnson &
McCollom, P.C.

(57) **CLAIM**

We claim the ornamental design for a pet feeding station, as
shown and described.

DESCRIPTION

FIG. 1 is a perspective view of a first embodiment of my pet
feeding station that illustrates my new design. The holes that
are used to hold the food and water dishes are shown as
dashed lines, and are not part of the claimed design.

FIG. 2 is a top plan view of the view of FIG. 1.

FIG. 3 is a front elevational view of the view of FIG. 1, the
rear elevational view being the same as the front elevational
view.

FIG. 4 is a right side elevational view of the view of FIG. 1,
the left side elevational view being the same as the right side
elevational view.

FIG. 5 is a bottom plan view of the view of FIG. 1.

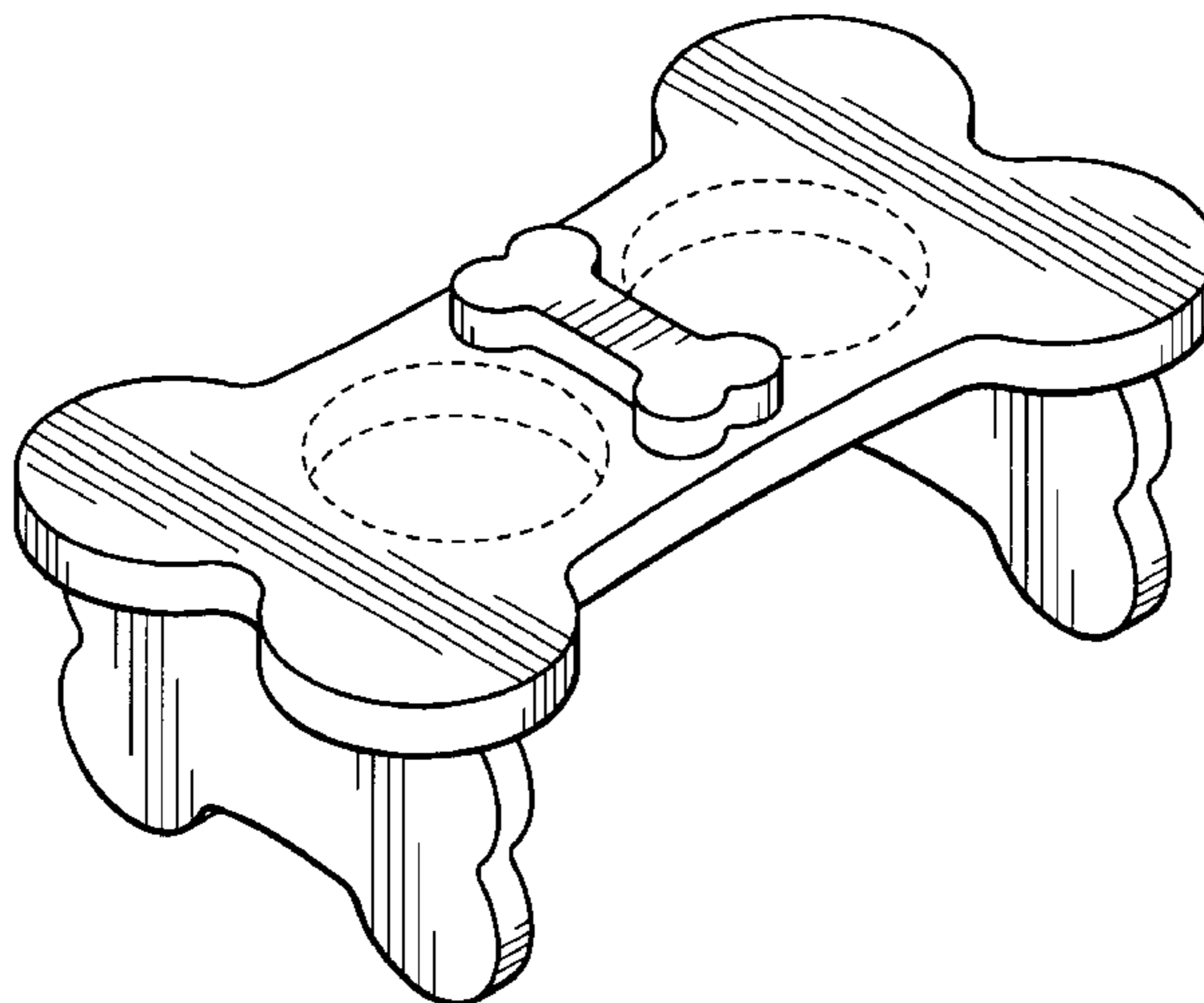
FIG. 6 is a perspective view of a second embodiment of our
pet feeding station that illustrates our new design. The holes
that are used to hold the food and water dishes are shown as
dashed lines, and are not part of the claimed design.

FIG. 7 is a top plan view of the view of FIG. 6.

FIG. 8 is a front elevational view of the view of FIG. 6, the
rear elevational view being the same as the front elevational
view; and,

FIG. 9 is a right side elevational view of the view of FIG. 6,
the left side elevational view being the same as the right side
elevational view.

1 Claim, 4 Drawing Sheets



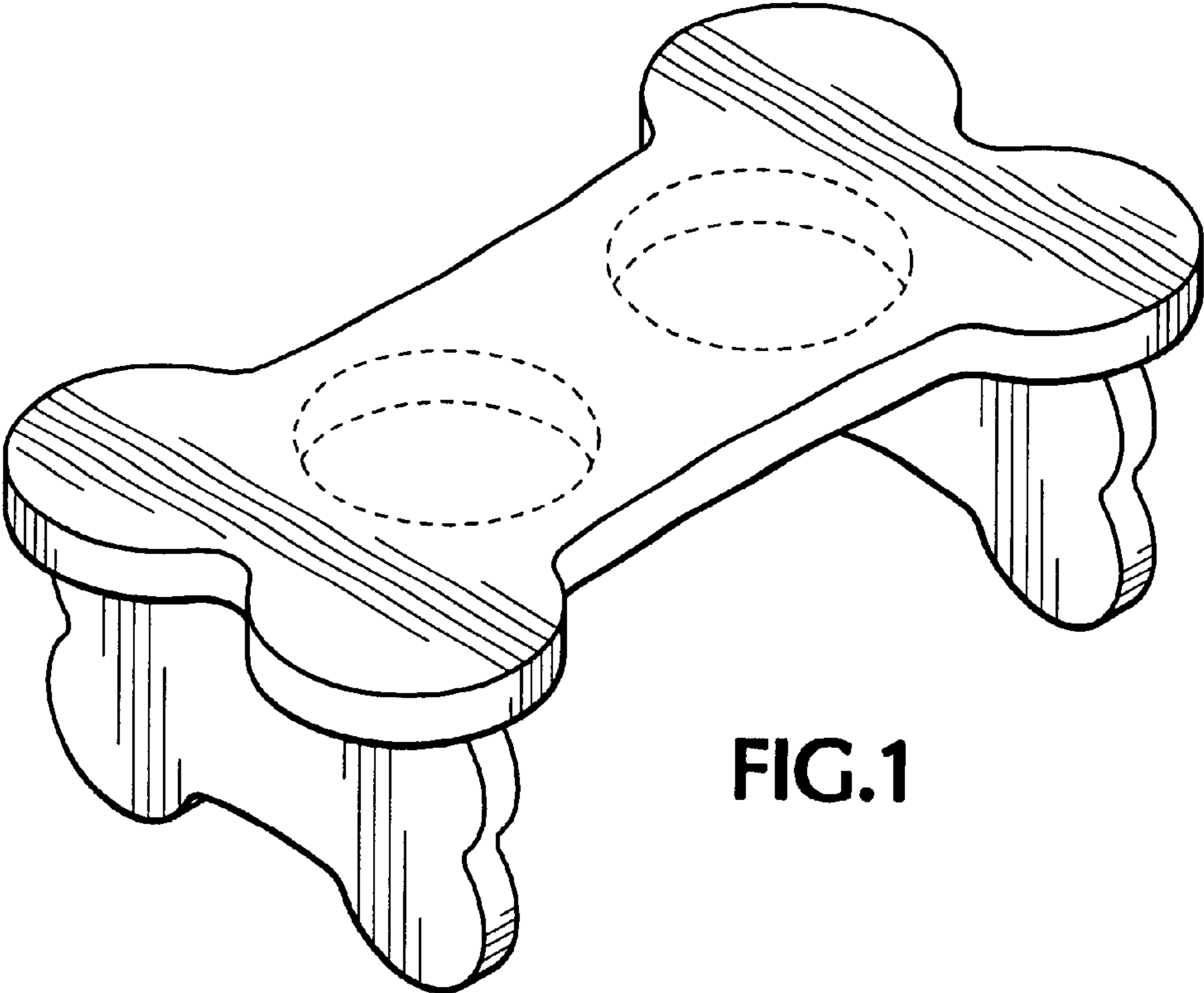


FIG.1

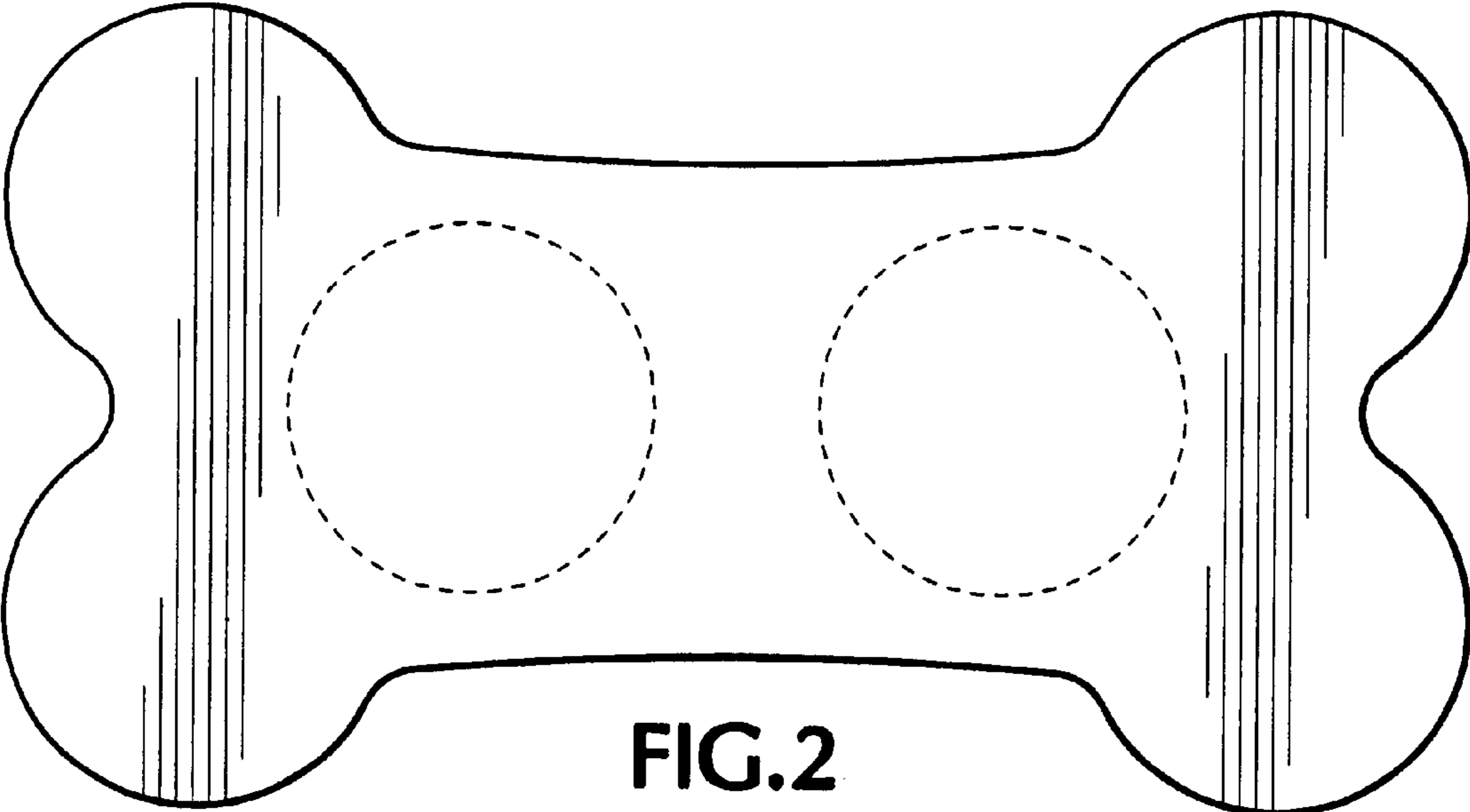


FIG.2

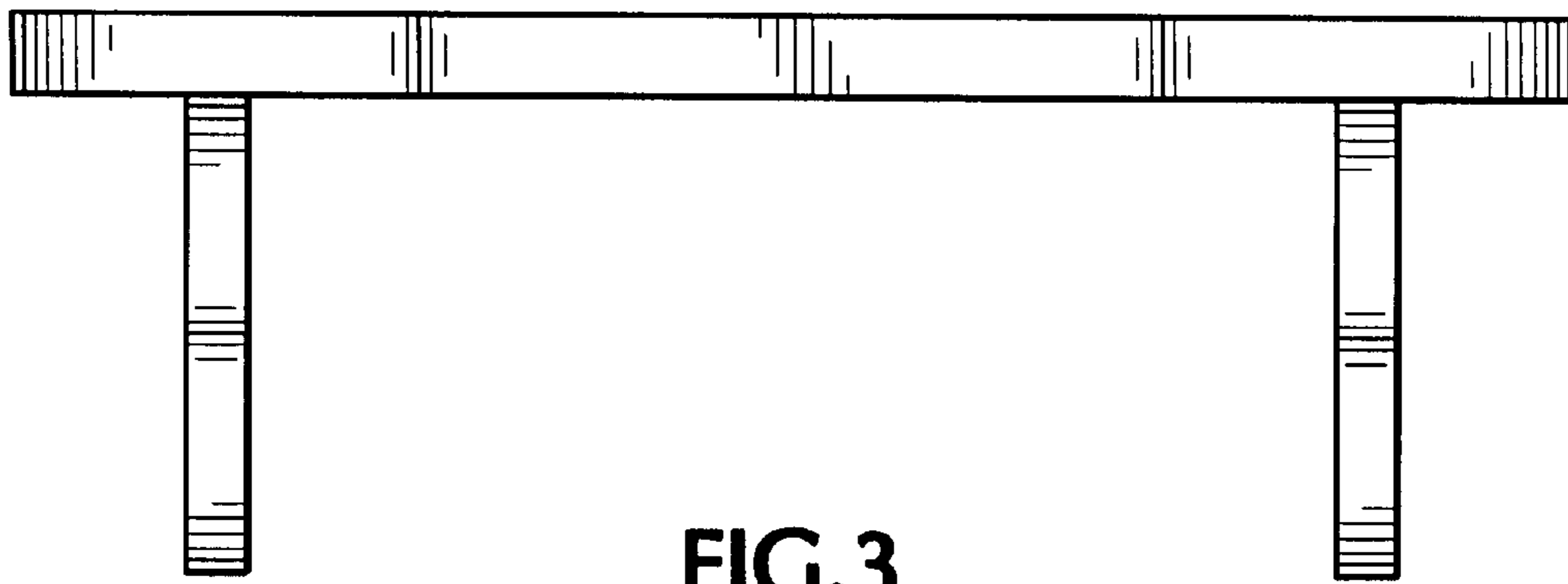


FIG. 3

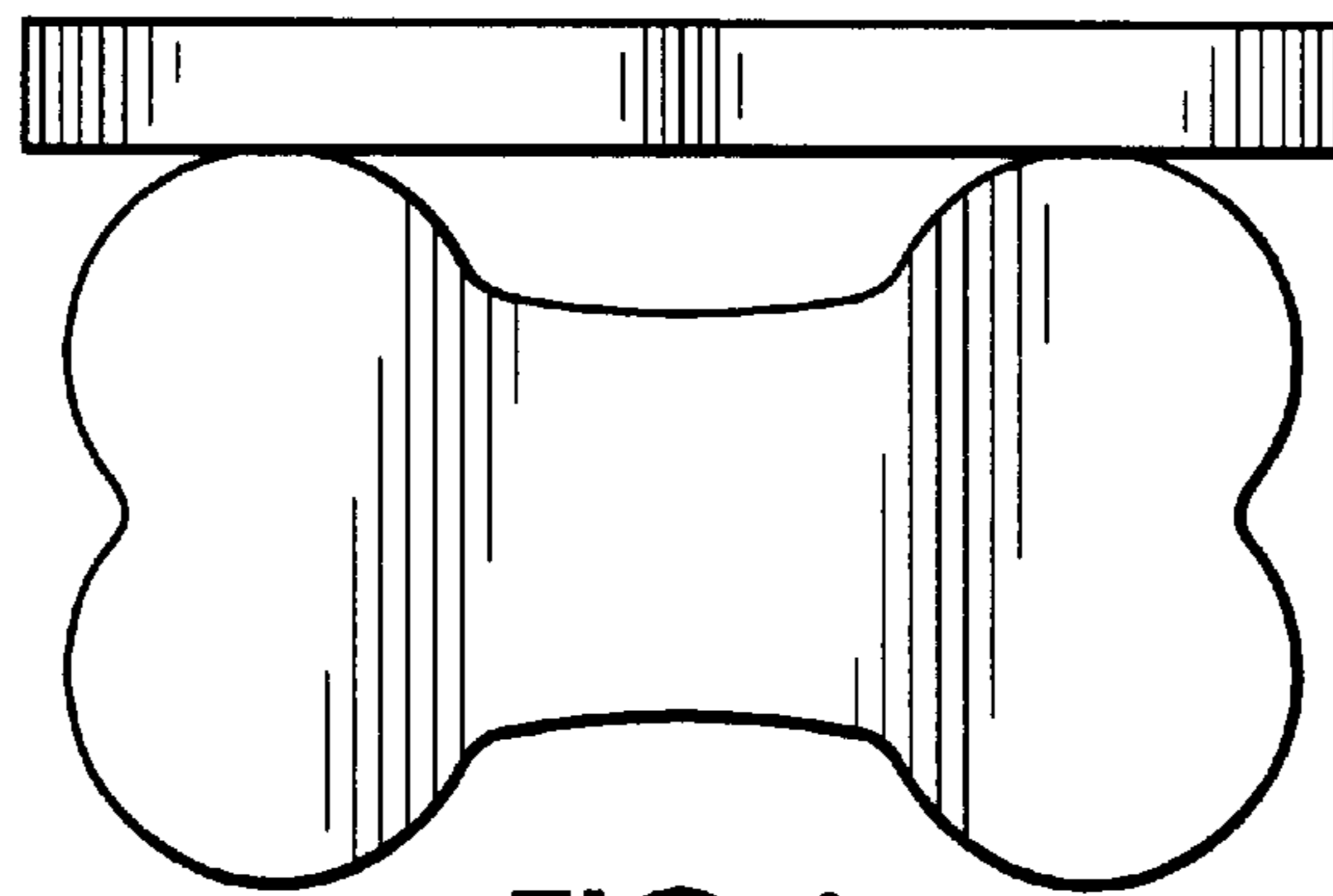


FIG. 4

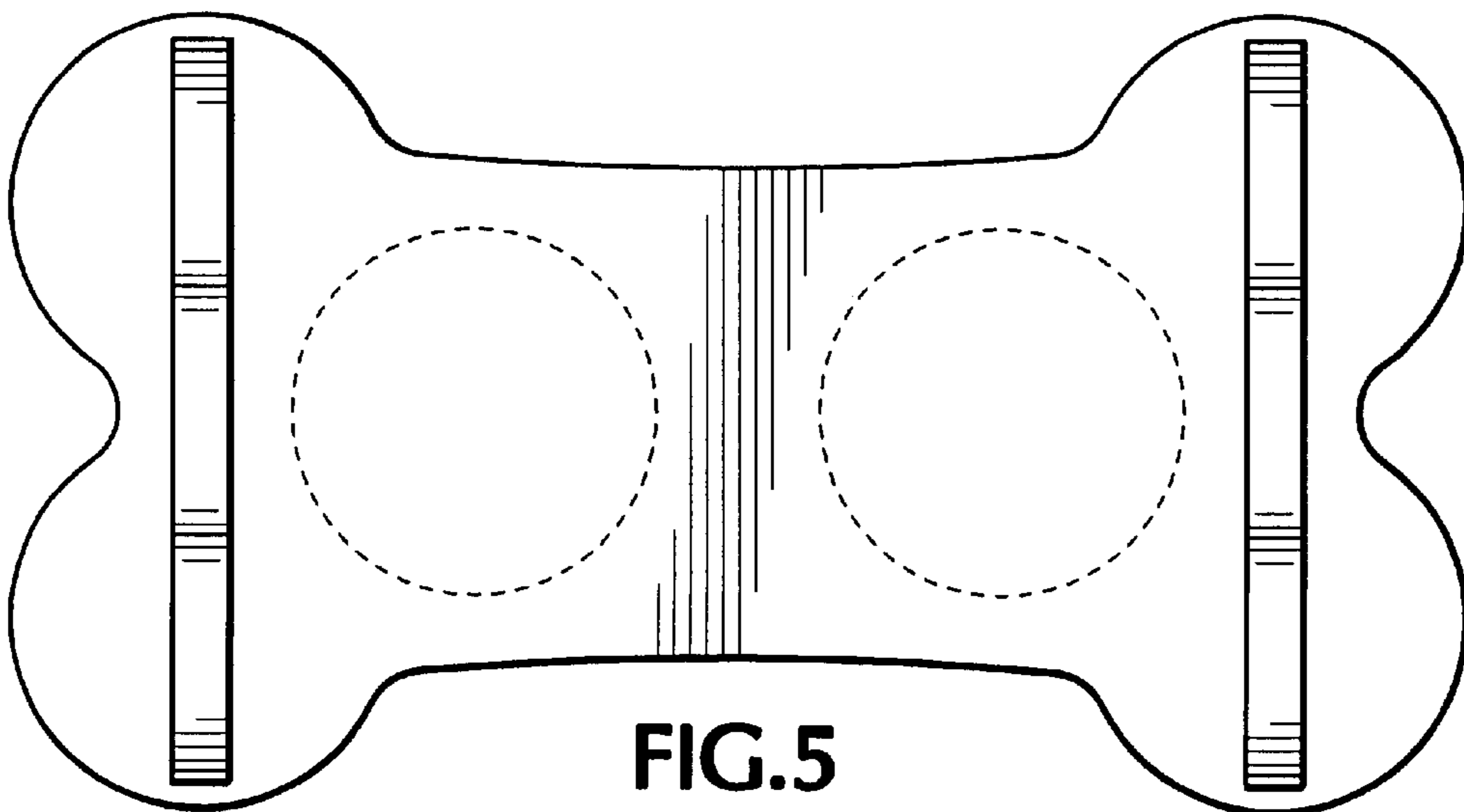


FIG. 5

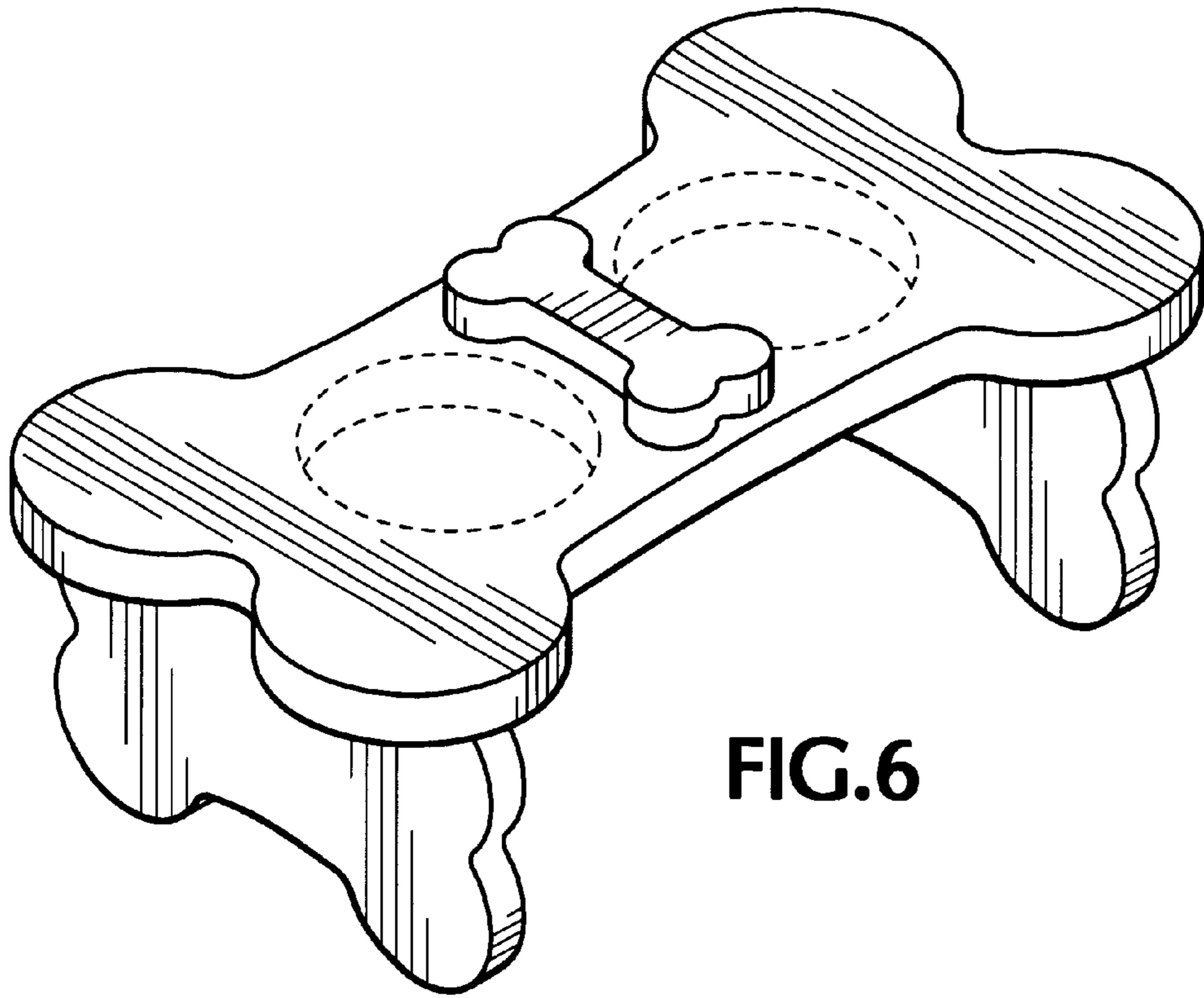


FIG. 6

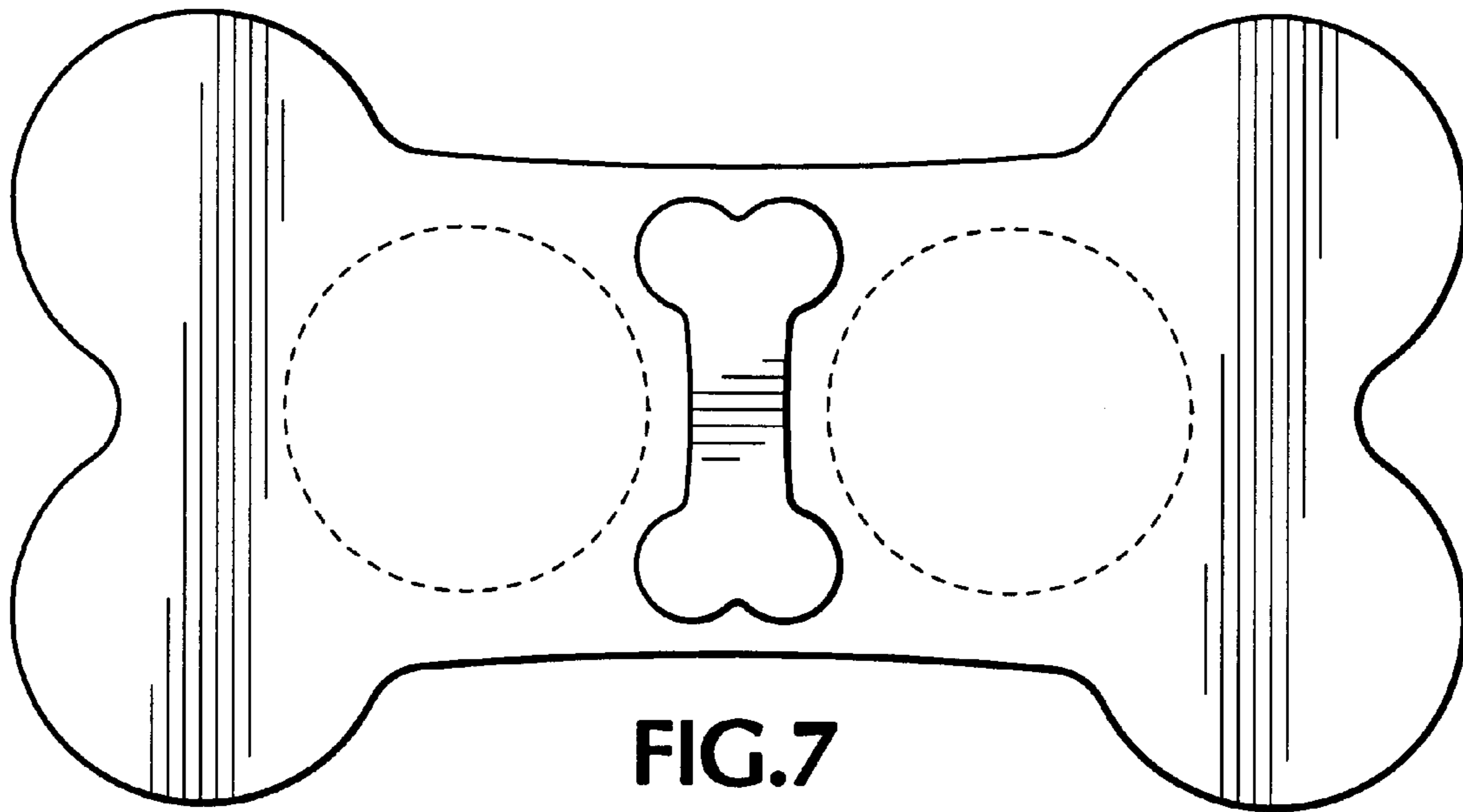


FIG. 7

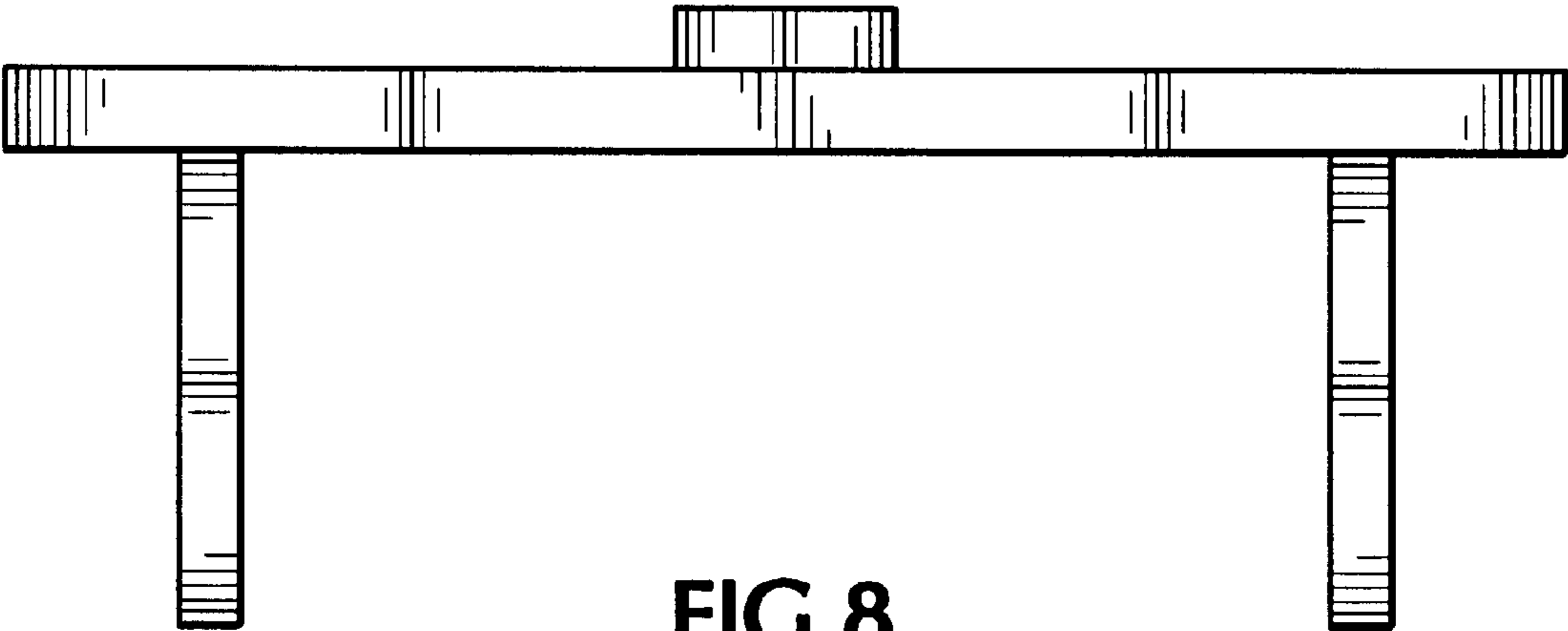


FIG. 8

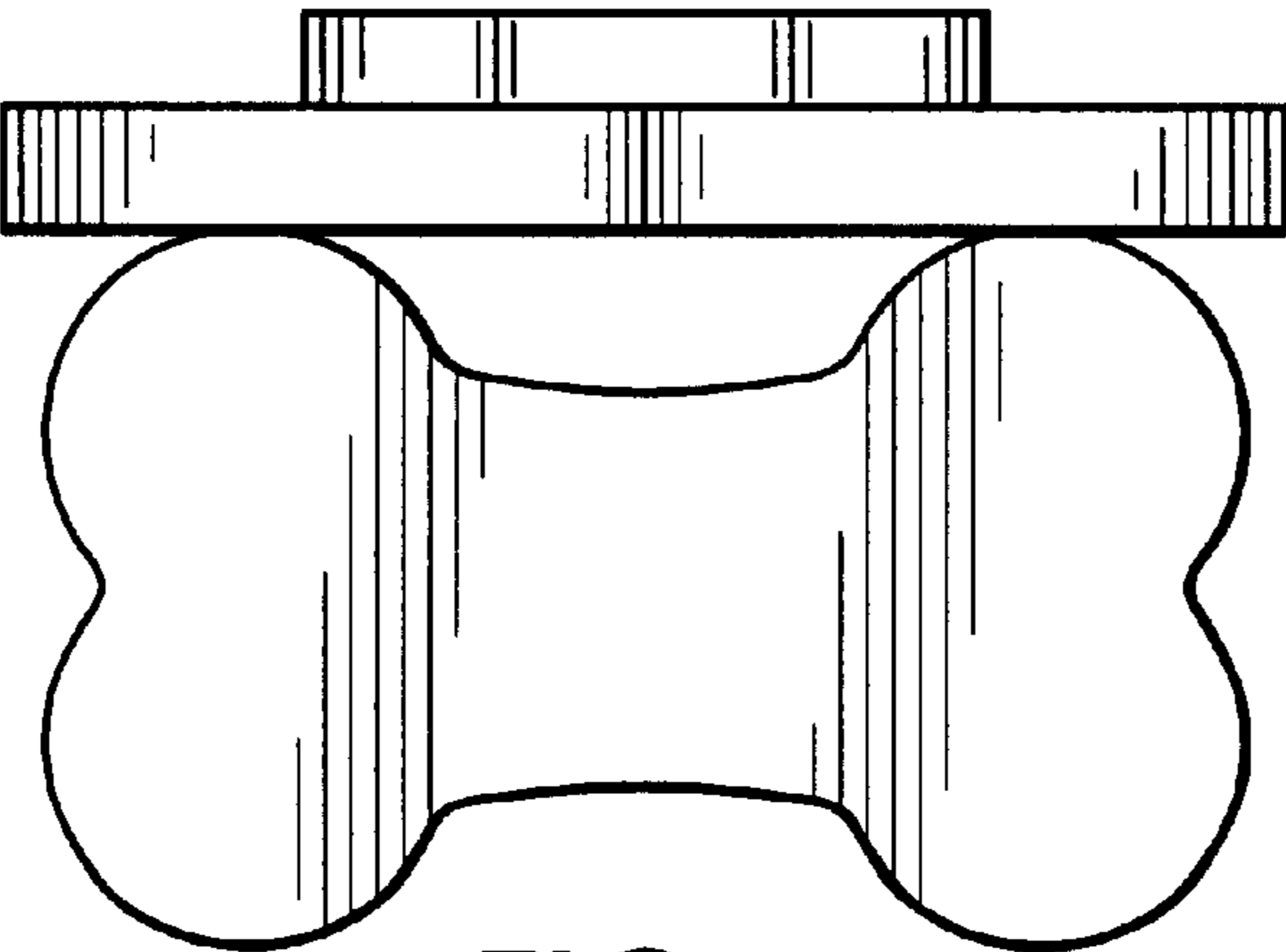


FIG. 9