

US00D521688S

(12) **United States Design Patent**  
**Makris et al.**

(10) **Patent No.:** **US D521,688 S**

(45) **Date of Patent:** **\*\* May 23, 2006**

(54) **PROTECTIVE HELMET**

(75) Inventors: **Aristidis Makris**, Ottawa (CA); **Jay Richard Sobel**, Ottawa (CA); **Clint Alexander Hedge**, Chesterville (CA); **Bratislav Mitric**, Ottawa (CA); **Roderick Farrell**, Ottawa (CA); **Justin Myles**, Carlsbad Springs (CA); **Richard Jean L'Abbé**, Ottawa (CA)

(73) Assignee: **Med-Eng Systems Inc.**, Ontario (CA)

(\*\*) Term: **14 Years**

(21) Appl. No.: **29/214,072**

(22) Filed: **Sep. 27, 2004**

(51) **LOC (8) Cl.** ..... **09-03**

(52) **U.S. Cl.** ..... **D29/107**

(58) **Field of Classification Search** ..... D29/102-110,  
D29/122; 2/5, 6.1, 6.3, 6.5-6.7, 8-9, 171.3,  
2/173, 206, 411, 414-419, 423-425, 427,  
2/431; D24/110.1, 110.2, 110.3; 128/201.24,  
128/206.21, 206.28

See application file for complete search history.

(56) **References Cited**

**U.S. PATENT DOCUMENTS**

D200,757 S	*	4/1965	Hiatt et al.	.....	D29/107
D207,900 S	*	6/1967	Feldmann et al.	.....	D29/105
3,858,242 A		1/1975	Gooding	.....	2/10
D253,197 S	*	10/1979	Jarvinen	.....	D29/107
D272,199 S	*	1/1984	Rudd	.....	D29/107
4,475,248 A		10/1984	L'Abbe et al.	.....	2/2.5
4,498,202 A		2/1985	Yamamoto	.....	2/424
D283,940 S	*	5/1986	Bally	.....	D29/107
D320,477 S	*	10/1991	Hassfurther	.....	D29/107
D323,042 S	*	1/1992	Gallet	.....	D29/107
D323,225 S	*	1/1992	Gallet	.....	D29/107

D397,519 S	*	8/1998	Crupi et al.	.....	D29/107
5,946,719 A	*	9/1999	Crupi et al.	.....	2/6.5
6,298,498 B1		10/2001	Burns et al.	.....	2/424
D459,837 S	*	7/2002	Dupuis	.....	D29/110
D473,975 S	*	4/2003	Batts	.....	D29/103
6,622,311 B1	*	9/2003	Diaz et al.	.....	2/171.3

**FOREIGN PATENT DOCUMENTS**

DE	31 45 106 A1	11/1981
EP	1 166 666 A1	1/2002

\* cited by examiner

*Primary Examiner*—Ruth McInroy

(74) *Attorney, Agent, or Firm*—Marshall, Gerstein & Borun LLP

(57) **CLAIM**

We claim the ornamental design for a protective helmet, as shown and described.

**DESCRIPTION**

FIG. 1 is a right-side view of a protective helmet showing our new design;

FIG. 2 is a left-side view thereof;

FIG. 3 is a front view thereof;

FIG. 4 is a rear view thereof;

FIG. 5 is a top view thereof;

FIG. 6 is a bottom view thereof;

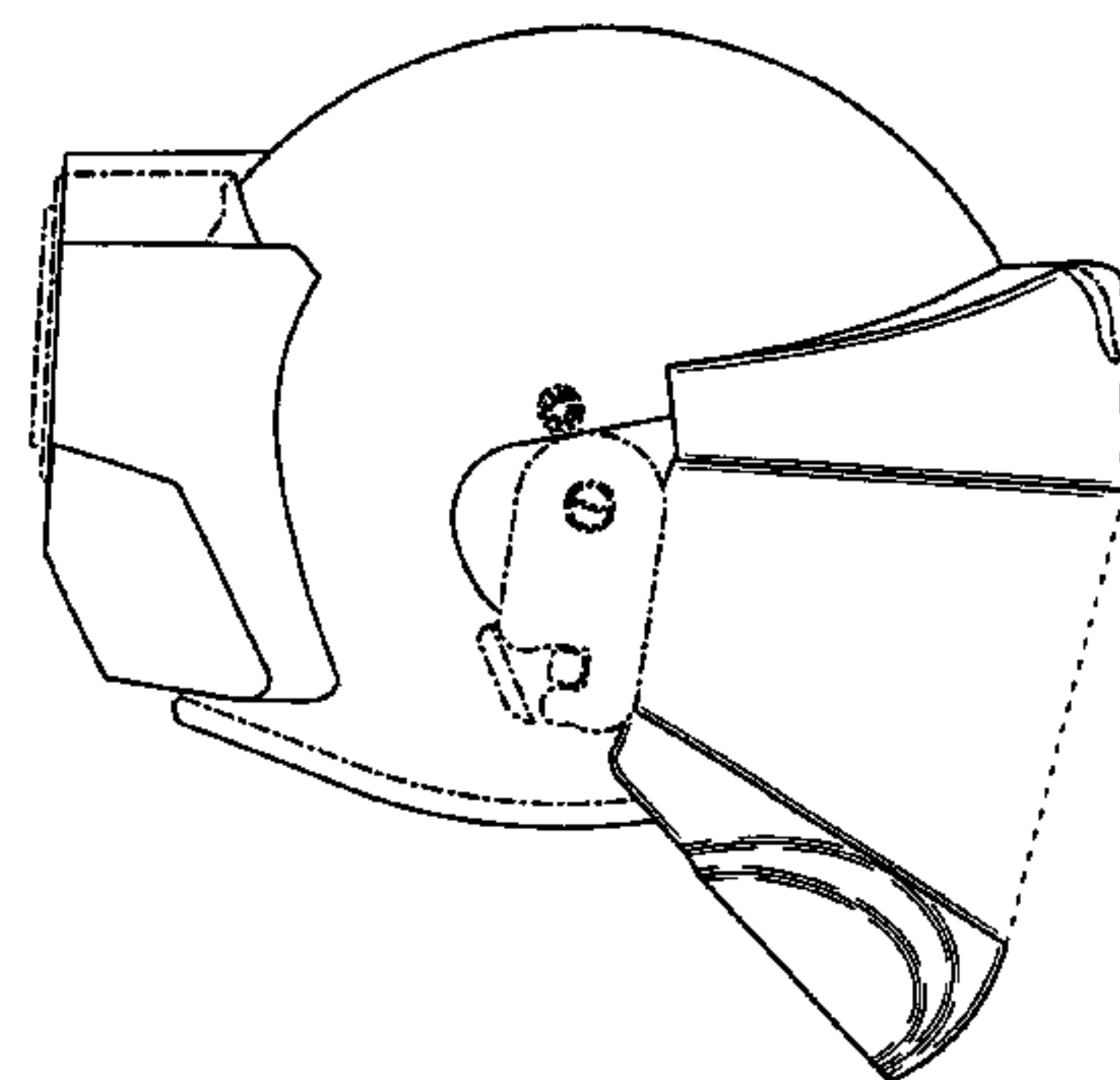
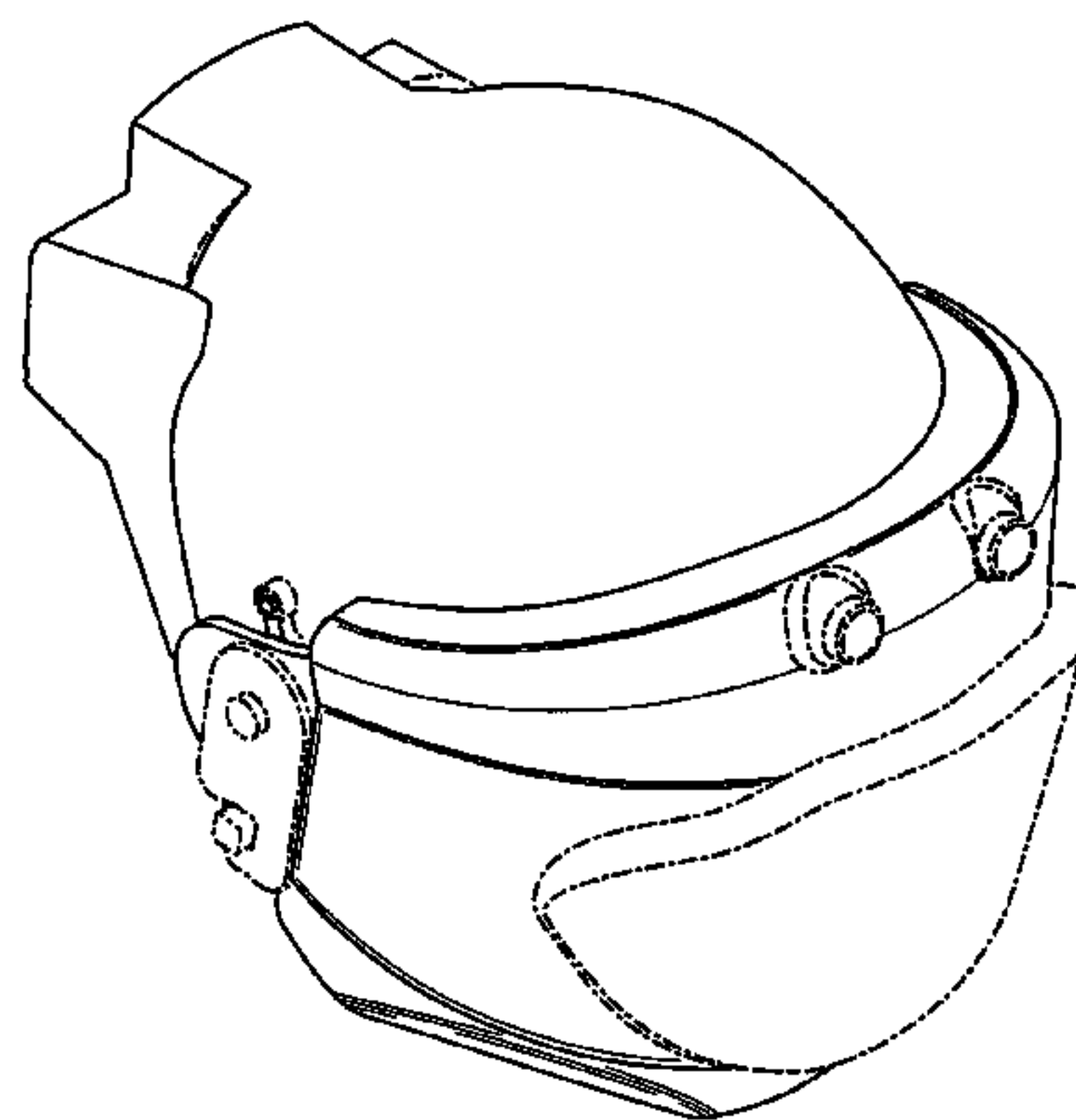
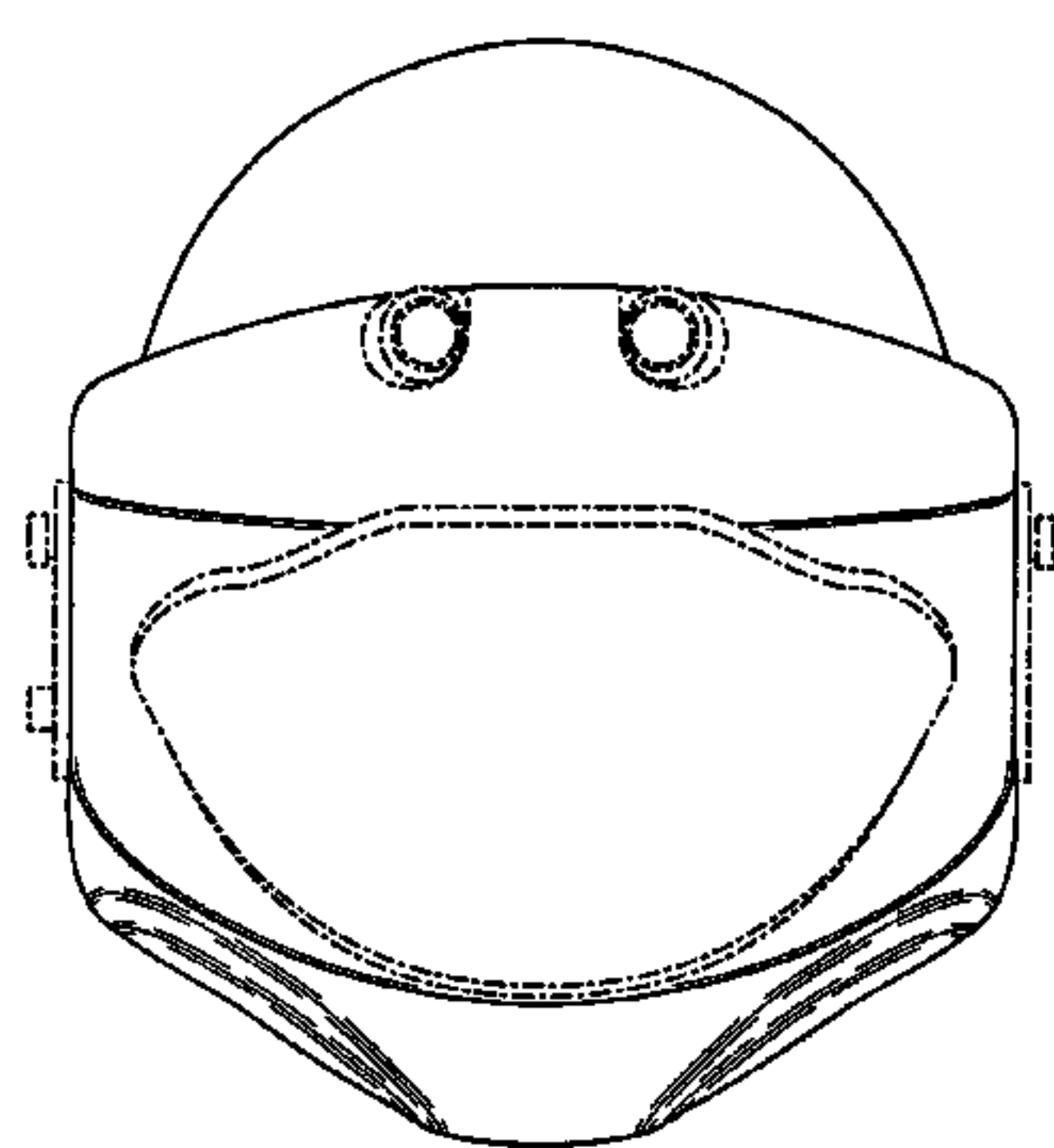
FIG. 7 is a top, front and right-side perspective view thereof;

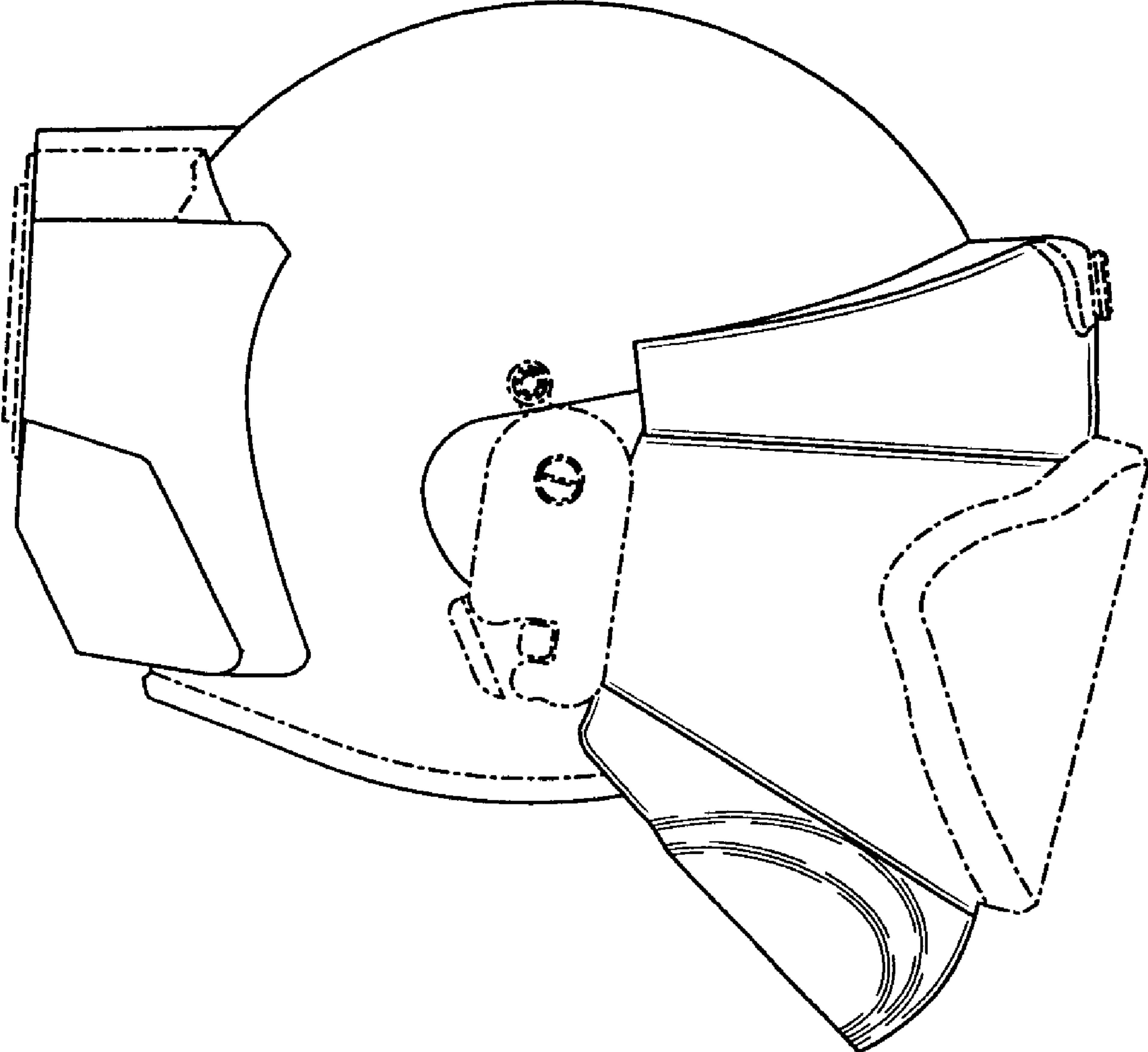
FIG. 8 is a bottom, rear and left-side perspective view thereof; and,

FIG. 9 is another right-side view thereof, the only difference residing in the removal of the broken line detail on the face shield in FIG. 1.

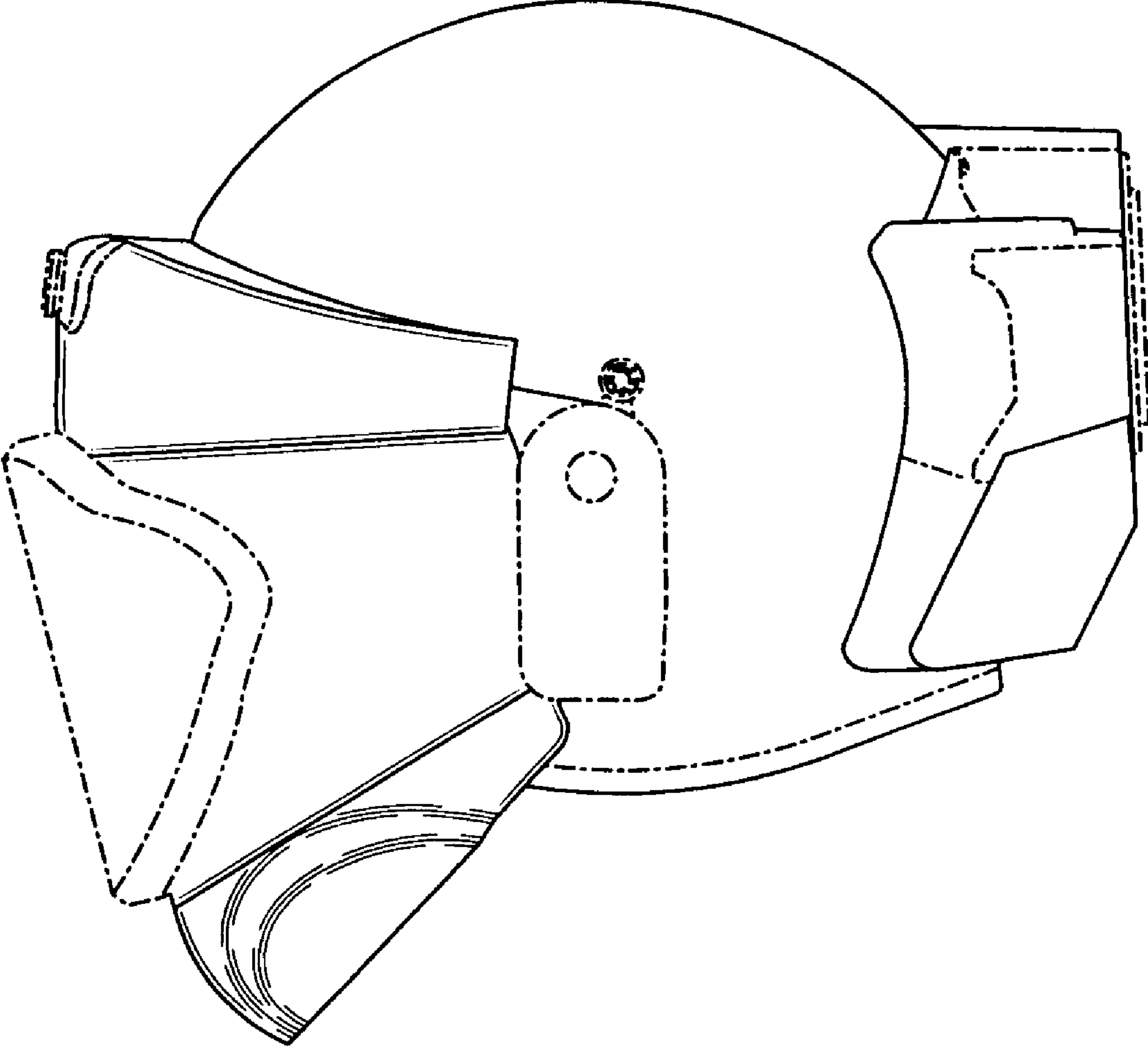
The details shown in FIGS. 1-9 form no part of the claimed design.

**1 Claim, 9 Drawing Sheets**

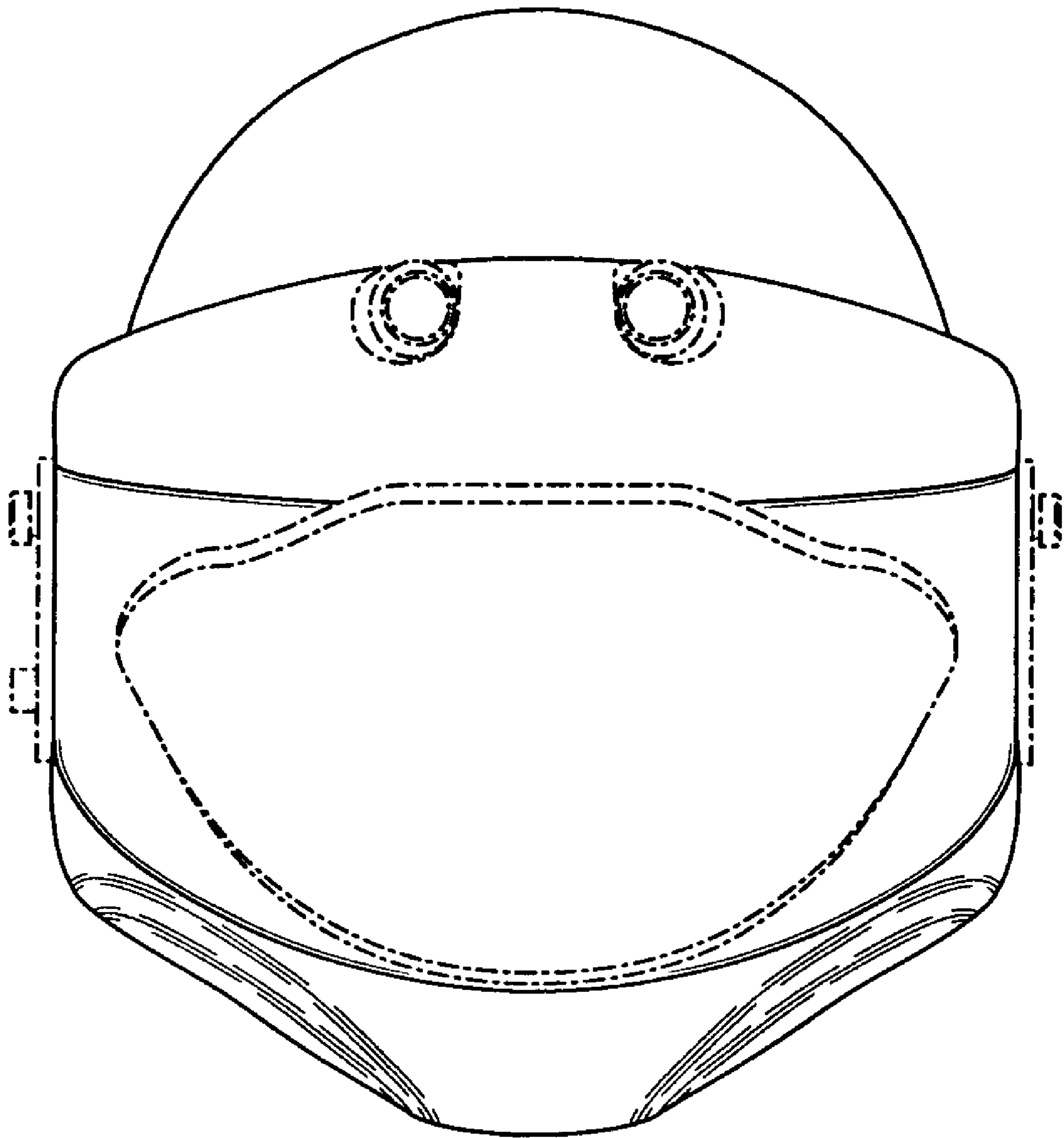




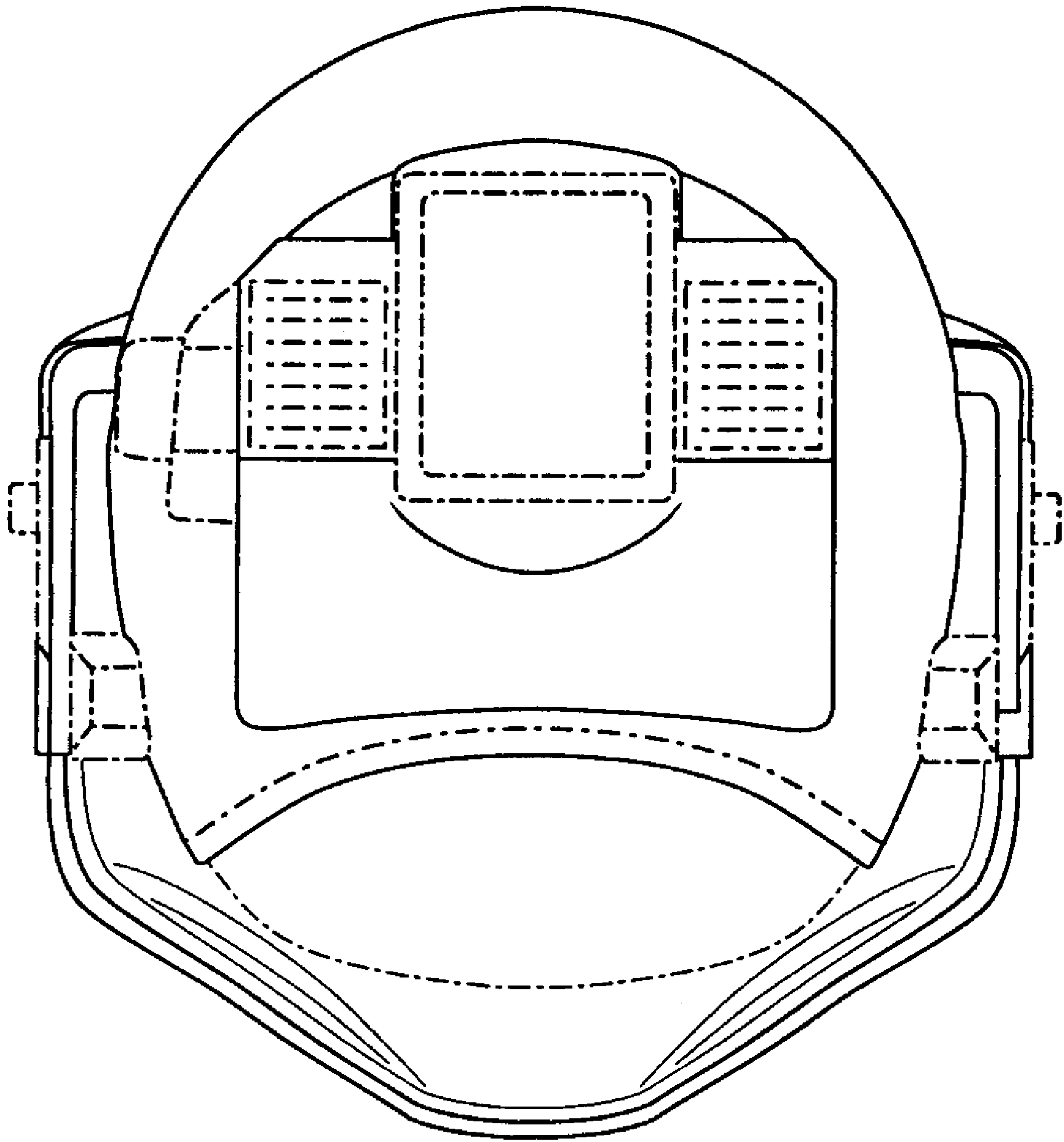
**FIG. 1**



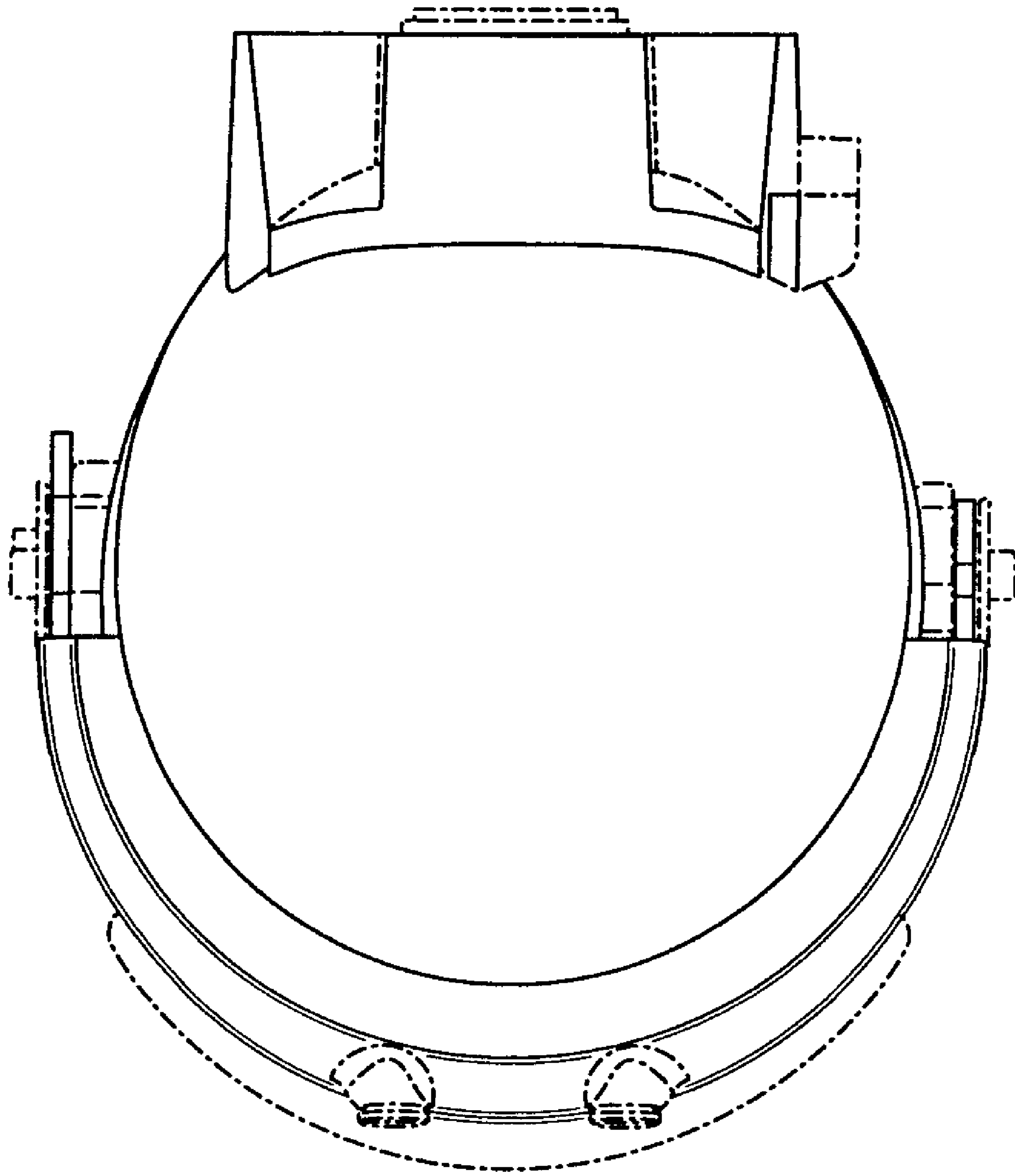
**FIG. 2**



**FIG. 3**

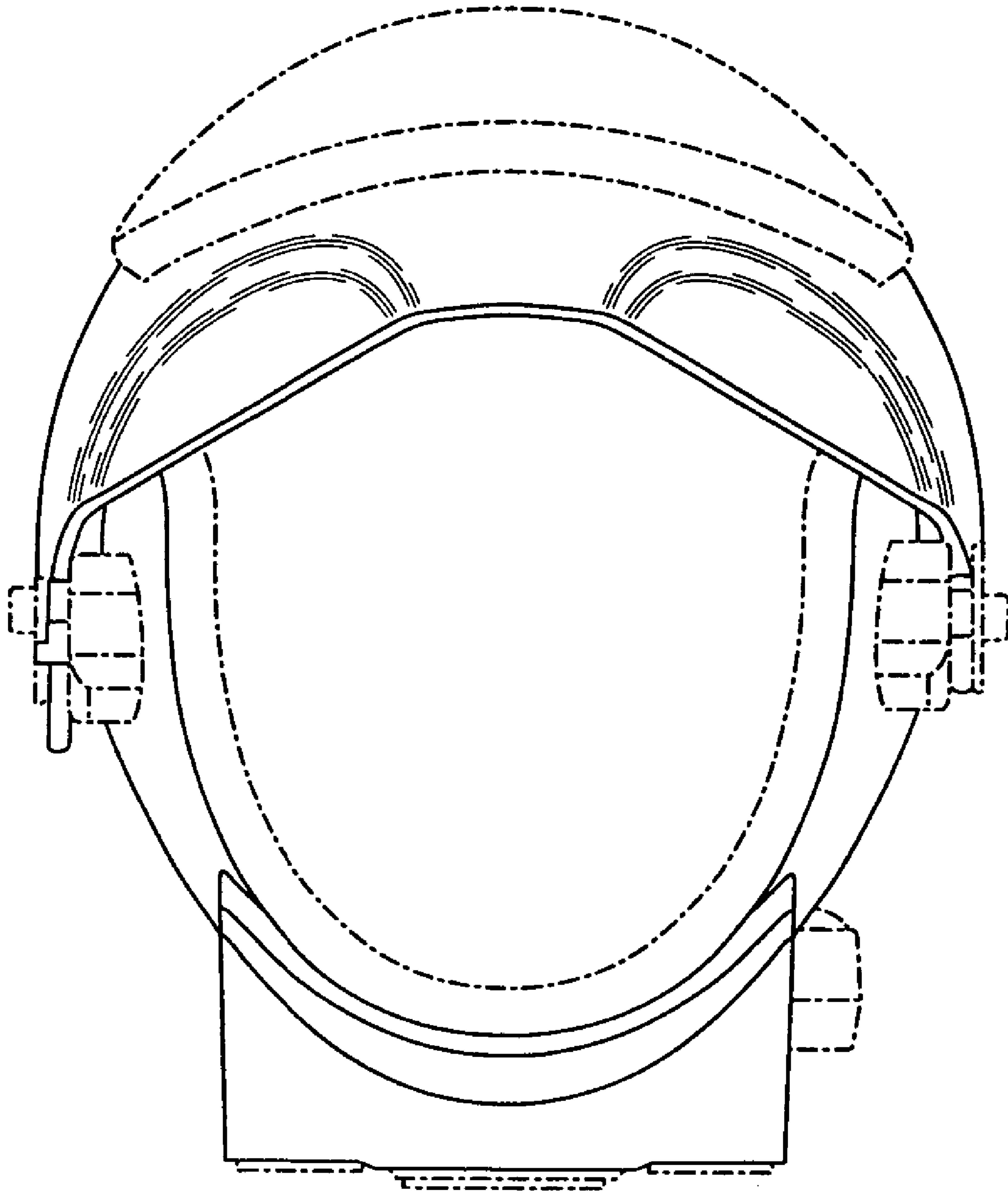


**FIG. 4**

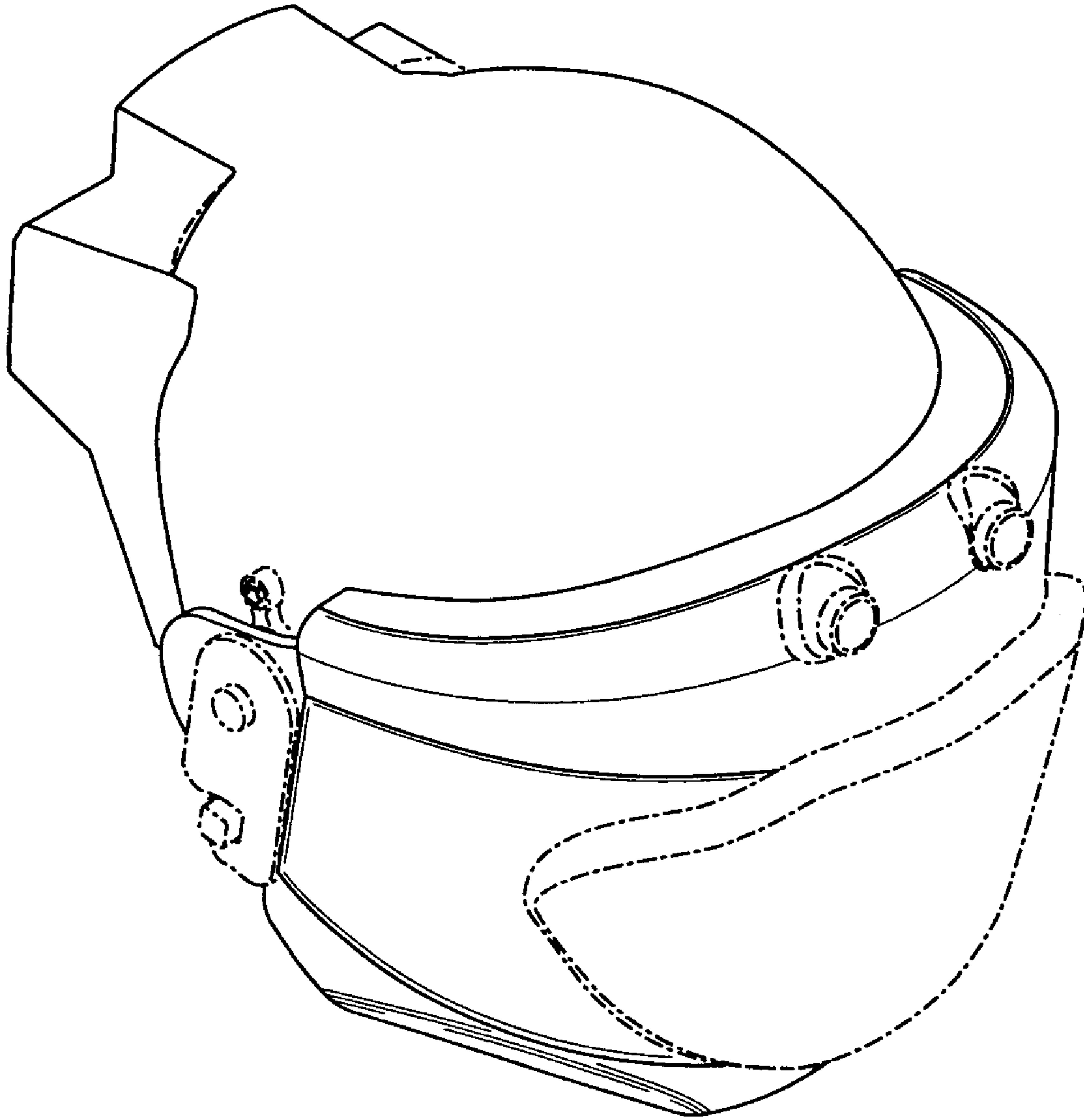


**FIG. 5**



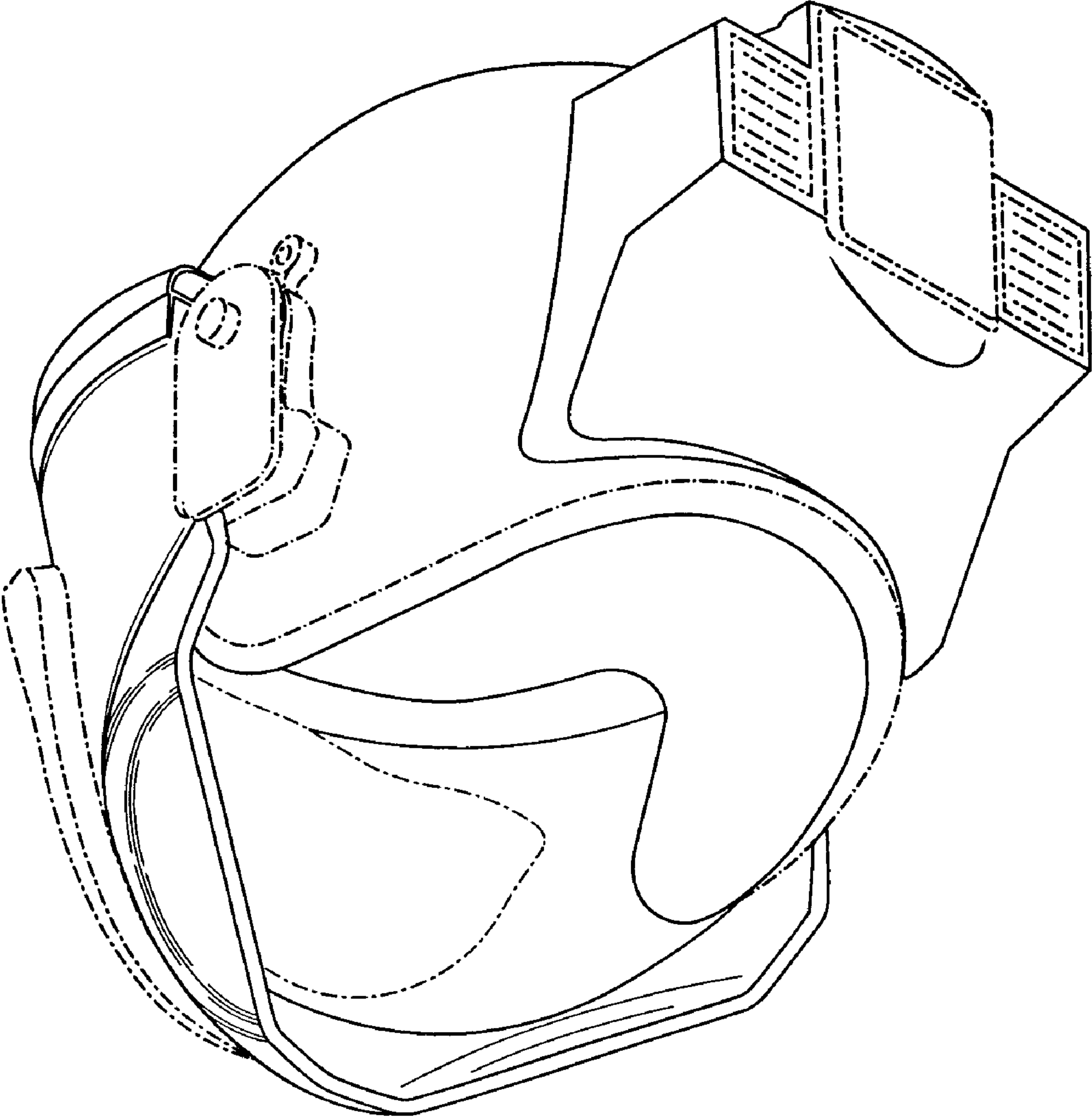


**FIG. 6**

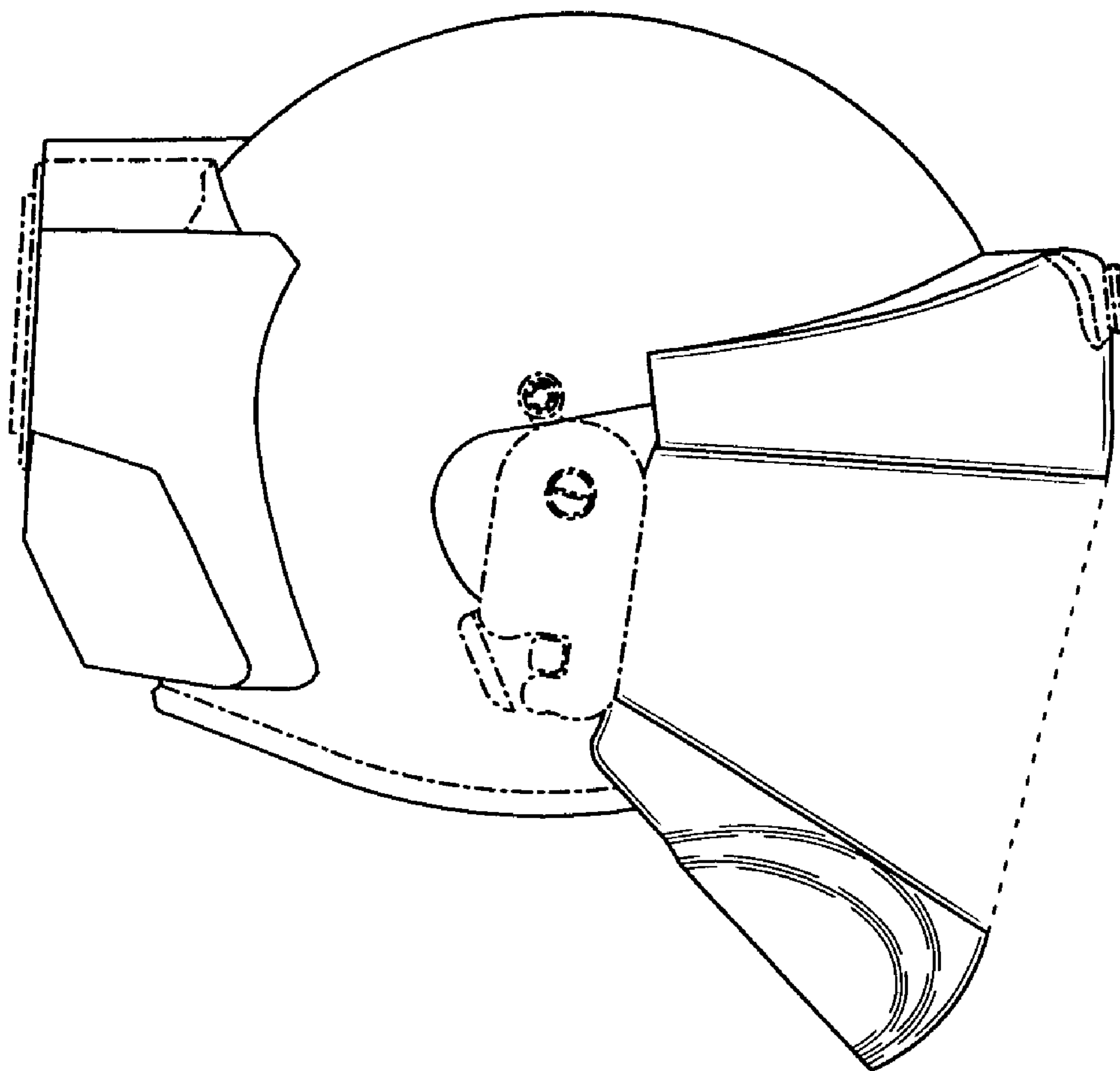


**FIG. 7**





**FIG. 8**



**FIG. 9**

UNITED STATES PATENT AND TRADEMARK OFFICE  
**CERTIFICATE OF CORRECTION**

PATENT NO. : Des. 521,688 S  
APPLICATION NO. : 29/214072  
DATED : May 23, 2006  
INVENTOR(S) : Bratislav Mitric et al.

Page 1 of 1

It is certified that error appears in the above-identified patent and that said Letters Patent is hereby corrected as shown below:

On Title Page,  
\*\*In the Description:

At page 1, second column, please delete "The details shown in FIGS. 1-9 form no part of the claimed design." and insert -- The details shown in broken lines in figures 1-9 form no part of the claimed design. --

Signed and Sealed this

Twenty-eighth Day of November, 2006

A handwritten signature in black ink on a light gray dotted background. The signature reads "Jon W. Dudas" in a cursive style.

JON W. DUDAS

*Director of the United States Patent and Trademark Office*