



US00D521680S

(12) **United States Design Patent**  
**Chen**

(10) **Patent No.:** **US D521,680 S**

(45) **Date of Patent:** **\*\* May 23, 2006**

(54) **POWER SAW LIGHTER**

D504,297 S \* 4/2005 Tillman et al. .... D8/66

(76) Inventor: **Peter Chen**, 5220 Fourth St., #6,  
Irwindale, CA (US) 91706

\* cited by examiner

(\*\*) Term: **14 Years**

*Primary Examiner*—Jennifer Rivard

(74) *Attorney, Agent, or Firm*—Raymond Y. Chan; David &  
Raymond

(21) Appl. No.: **29/228,160**

(57) **CLAIM**

(22) Filed: **Apr. 21, 2005**

The ornamental design for a power saw lighter, as shown.

(51) **LOC (8) Cl.** ..... **27-05**

(52) **U.S. Cl.** ..... **D27/148**; D8/66

(58) **Field of Classification Search** ..... D27/141,  
D27/142, 148–150, 152–157, 160; D8/64–66;  
431/125, 253; 30/390, 391

See application file for complete search history.

**DESCRIPTION**

FIG. 1 is a perspective view showing my new design.

FIG. 2 is a front view thereof.

FIG. 3 is a rear view thereof.

FIG. 4 is a left end view thereof.

FIG. 5 is a right end view thereof.

FIG. 6 is a top view thereof; and,

FIG. 7 is a bottom view thereof.

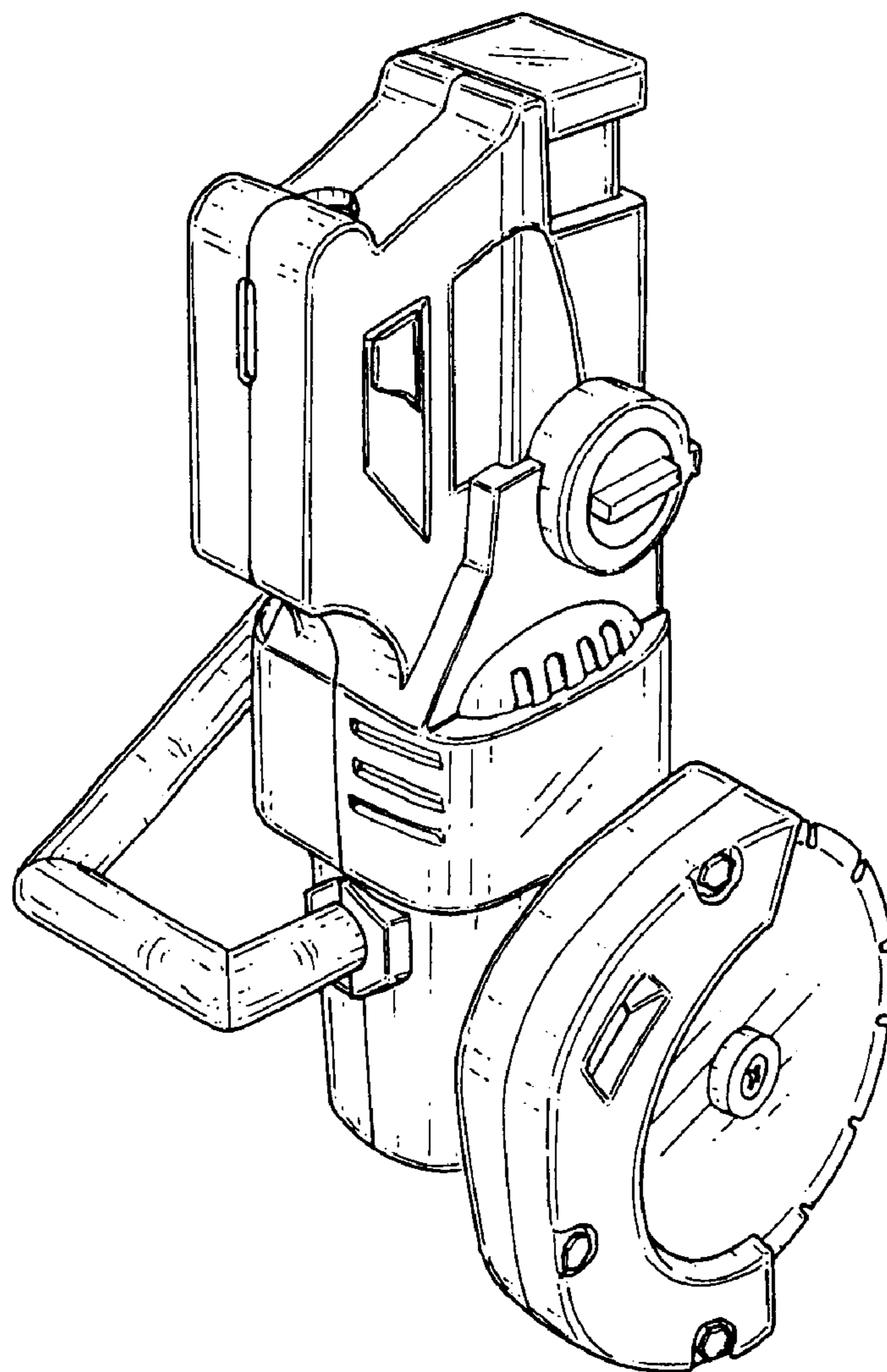
(56) **References Cited**

**U.S. PATENT DOCUMENTS**

D233,307 S \* 10/1974 Baysura ..... D8/66

D499,944 S \* 12/2004 Stroby et al. .... D8/64

**1 Claim, 7 Drawing Sheets**



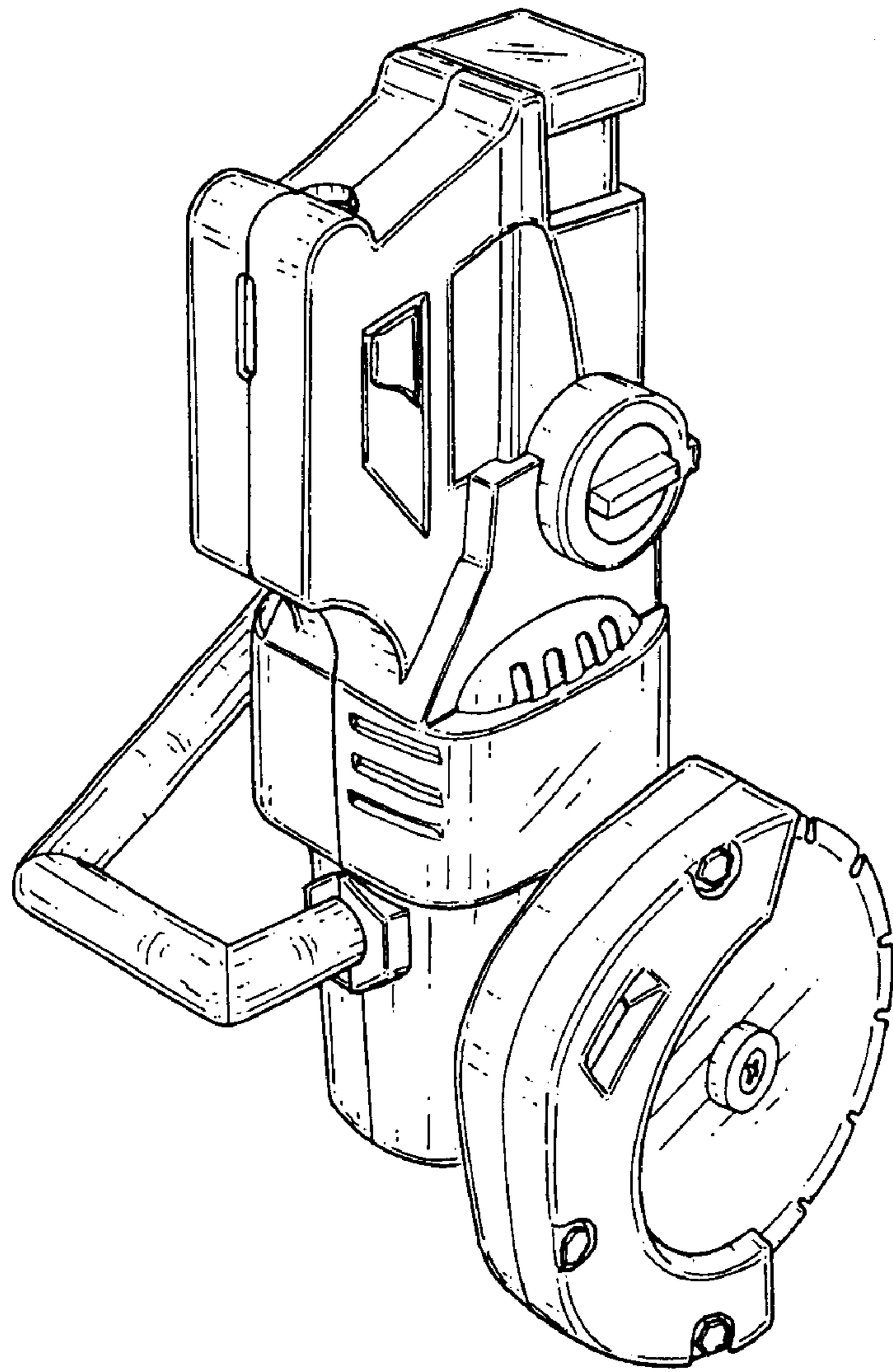


FIG. 1

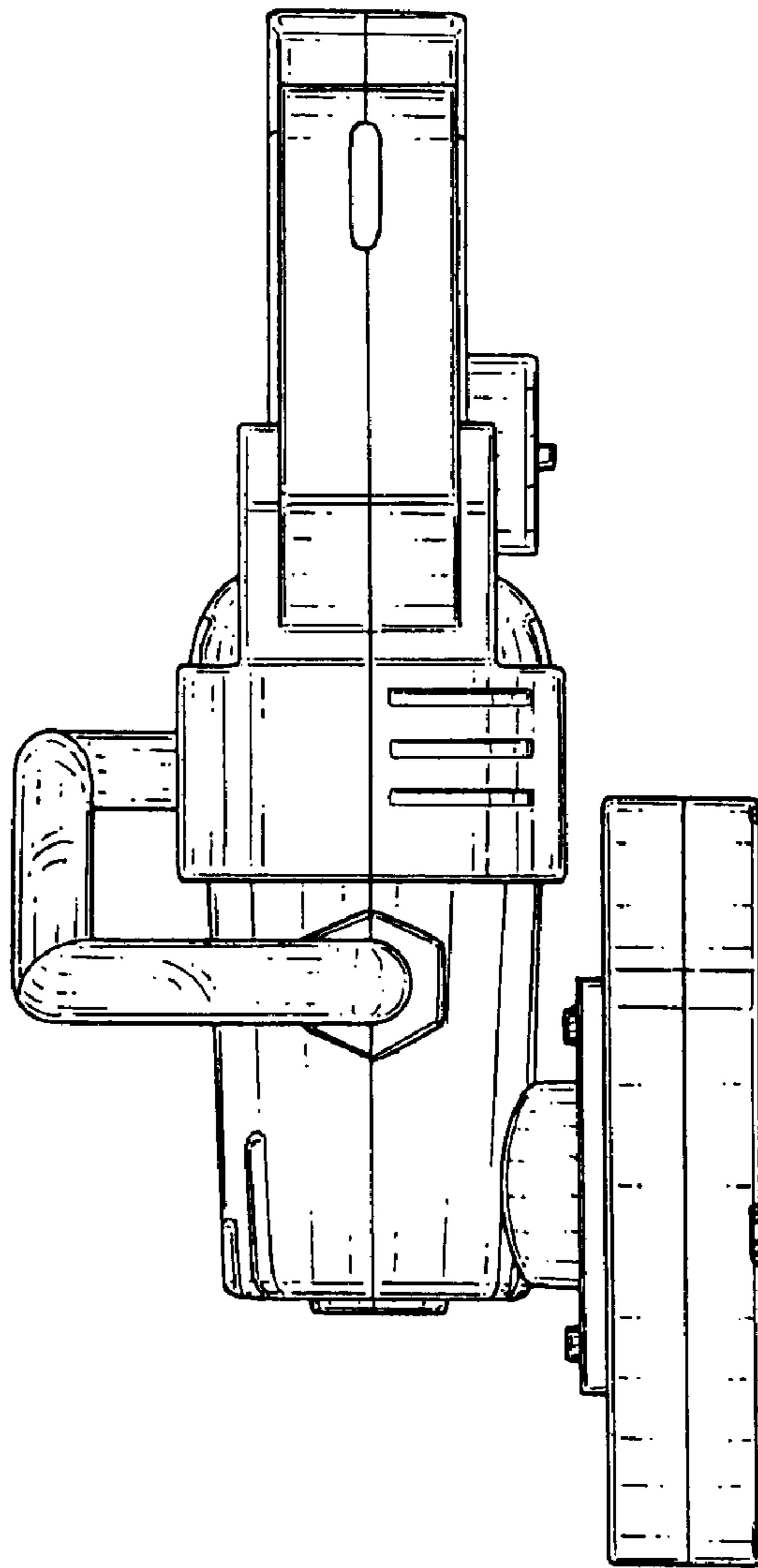


FIG. 2

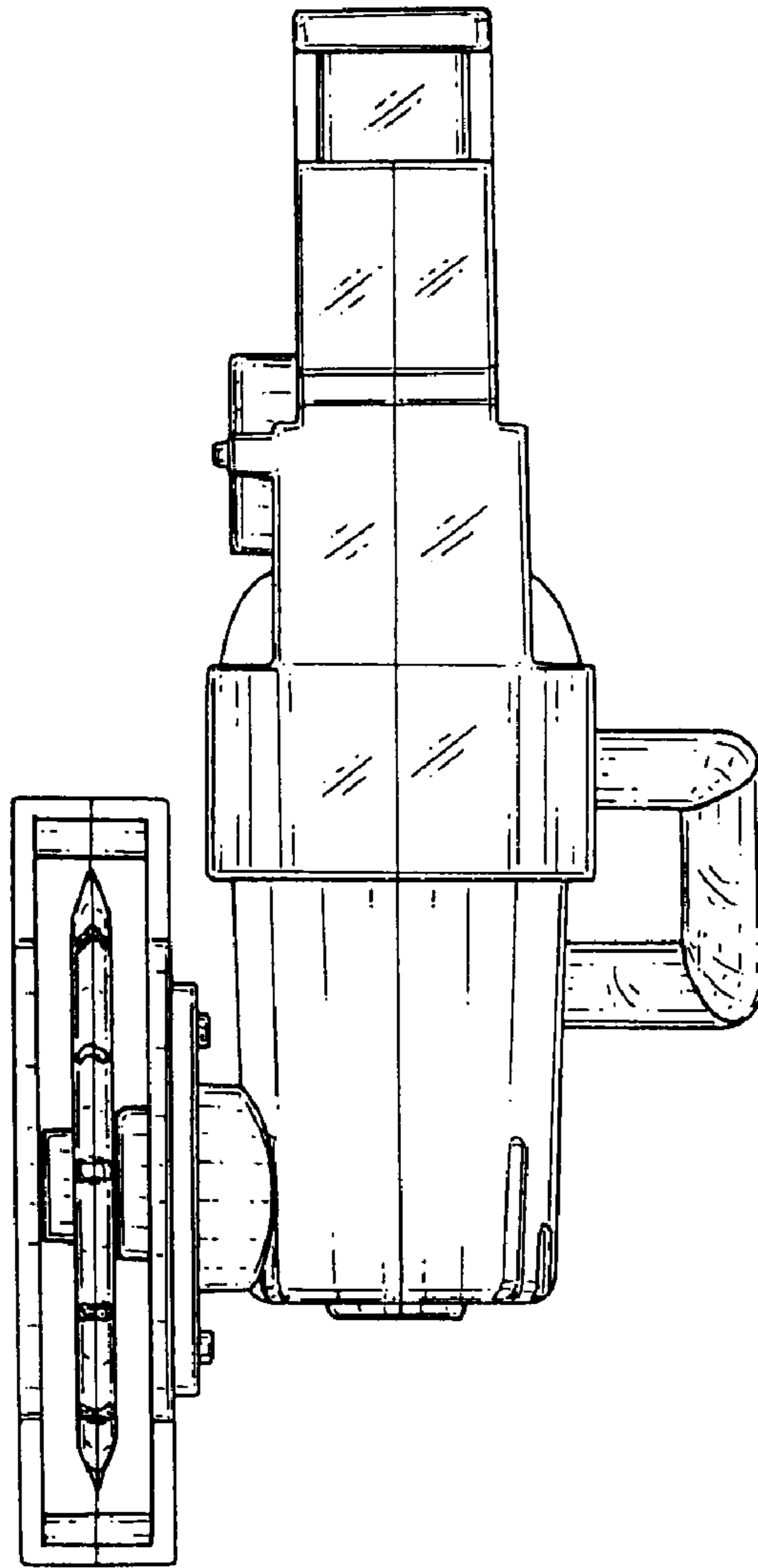


FIG. 3

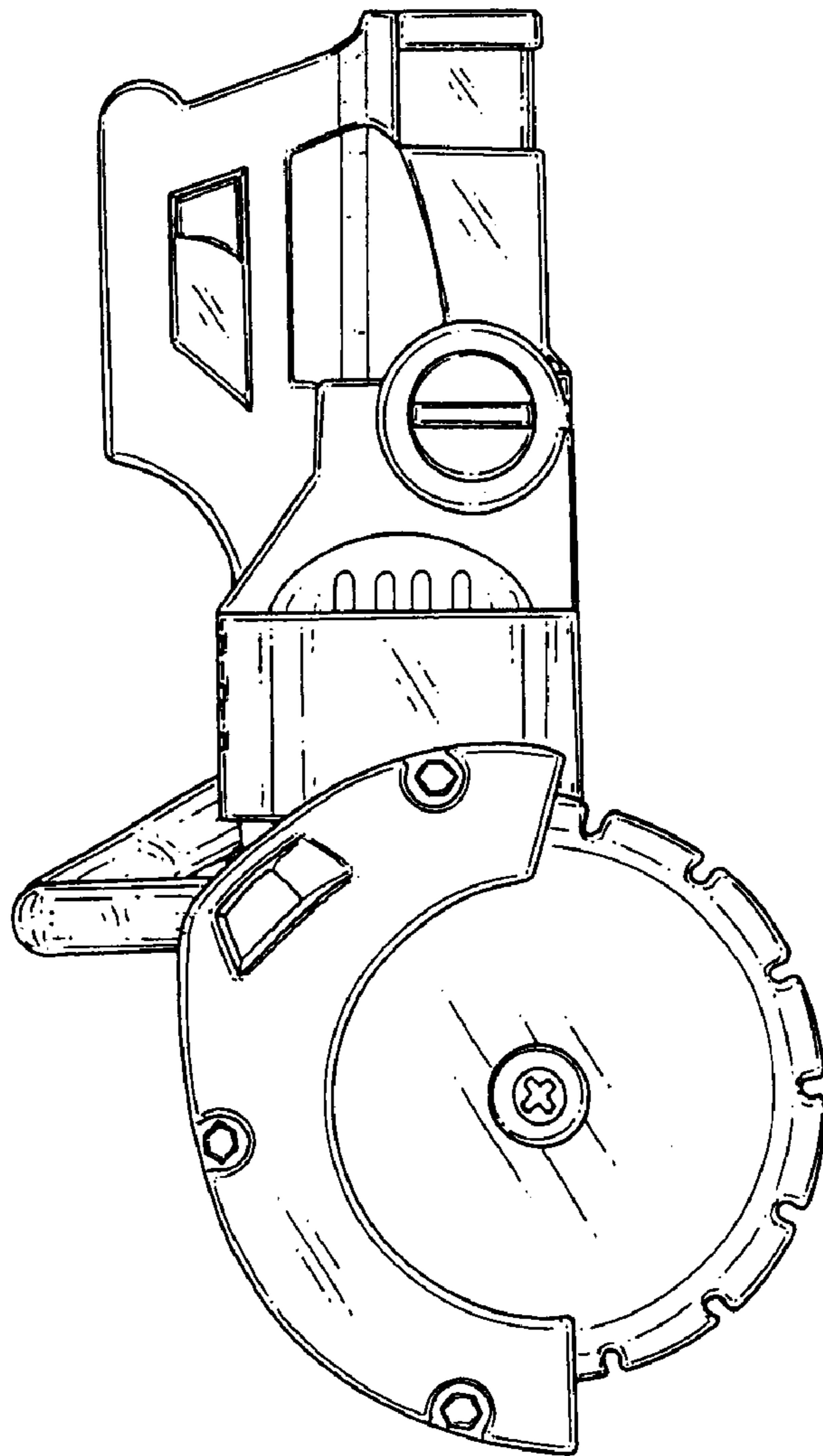


FIG. 4

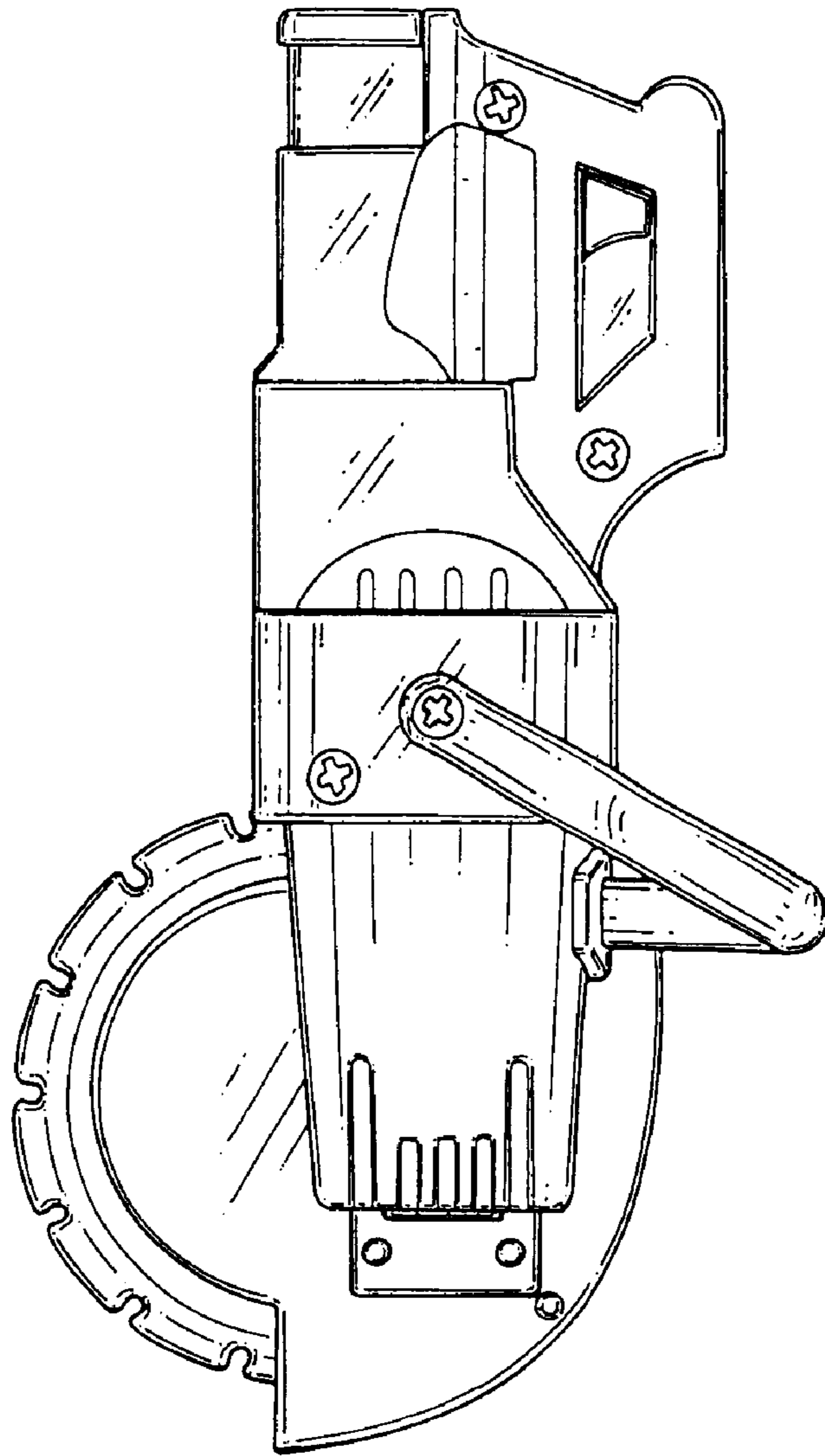


FIG. 5

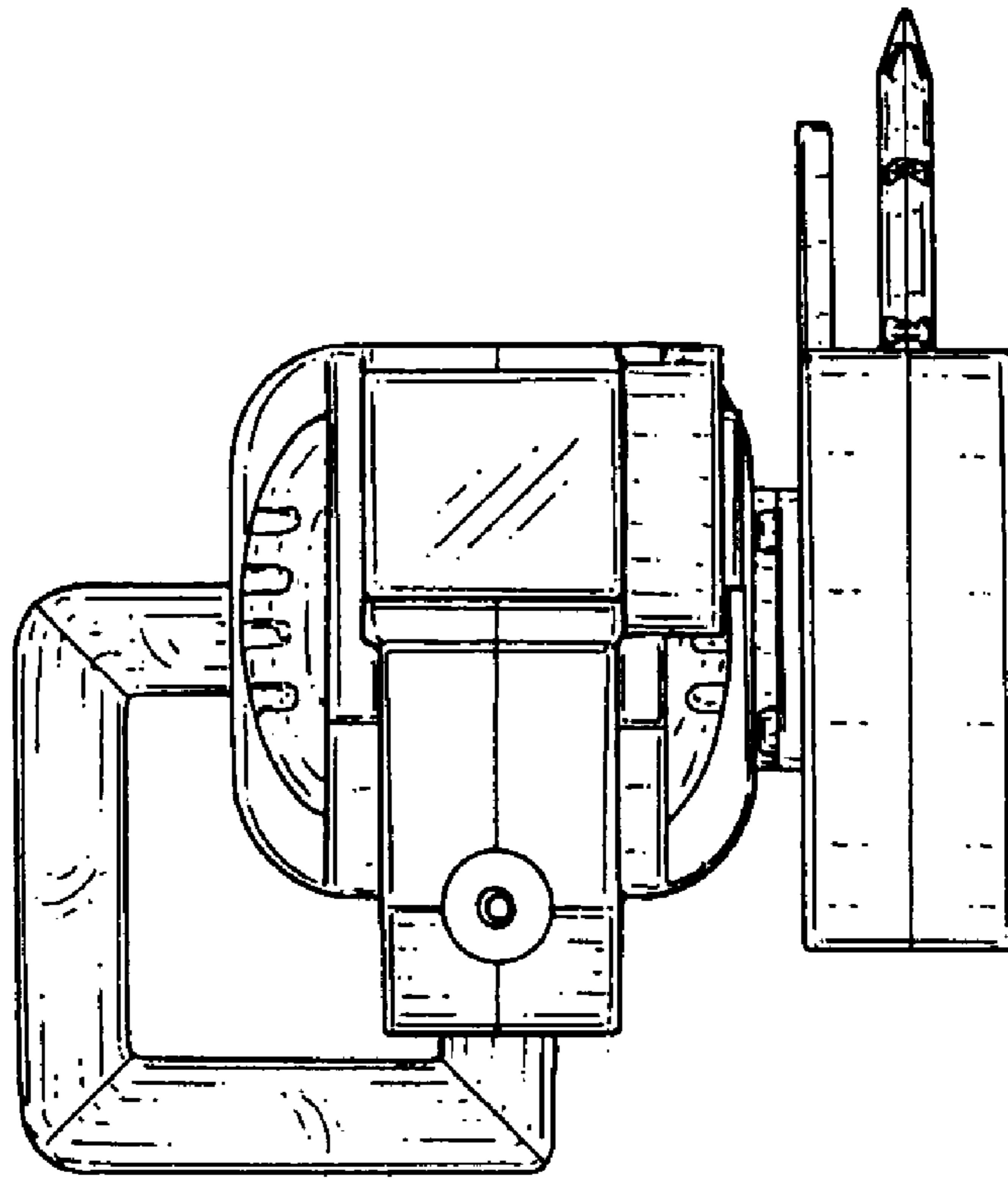


FIG. 6

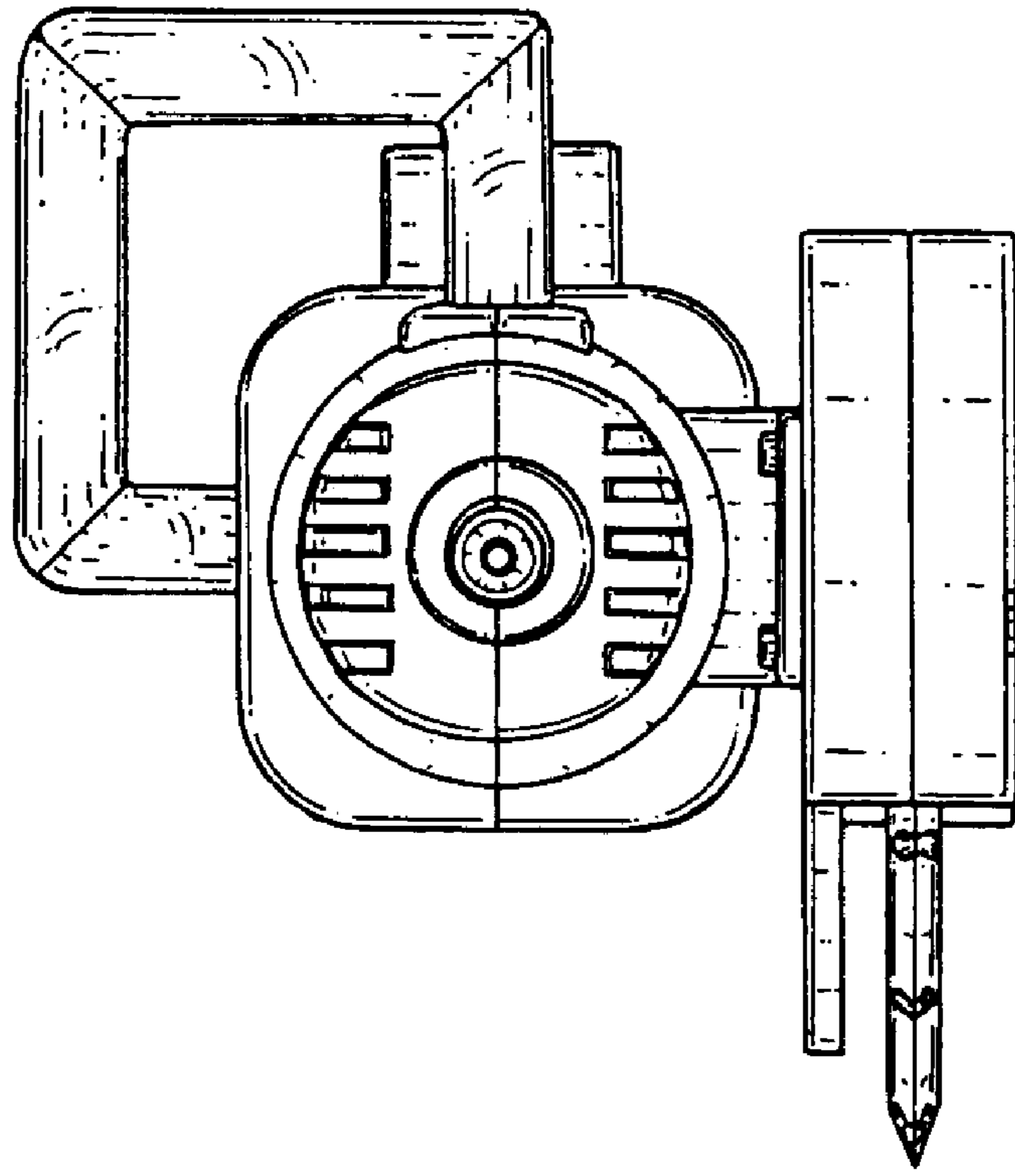


FIG. 7