



US00D521677S

(12) **United States Design Patent**  
**Herst et al.**

(10) **Patent No.:** **US D521,677 S**  
(45) **Date of Patent:** **\*\* May 23, 2006**

(54) **PORTION OF A LIGHTING FIXTURE**  
(75) Inventors: **Douglas J. Herst**, Ross, CA (US);  
**Michael Trung Tran**, Oakland, CA  
(US); **Frank A. Friedman**, Mill Valley,  
CA (US)

D480,501 S 10/2003 Herst et al.  
D480,502 S 10/2003 Herst et al.  
D480,503 S 10/2003 Herst et al.  
D481,488 S 10/2003 Herst et al.

(73) Assignee: **Acuity Brands, Inc.**, Atlanta, GA (US)  
(\*\*) Term: **14 Years**

**OTHER PUBLICATIONS**

Peerless Lighting, Product Announcement, "Introducing  
Cerra Full Baffle," 2 pages, Apr. 19, 2002.

(21) Appl. No.: **29/202,839**  
(22) Filed: **Apr. 5, 2004**

\* cited by examiner

*Primary Examiner*—Clare E Heflin  
(74) *Attorney, Agent, or Firm*—Donald L. Beeson

(51) **LOC (8) Cl.** ..... **26-99**  
(52) **U.S. Cl.** ..... **D26/121; D26/77**  
(58) **Field of Classification Search** ..... D26/72,  
D26/75-78, 118, 119, 121, 122, 152; 362/605,  
362/147, 151, 217-225, 256, 260, 291, 342,  
362/354  
See application file for complete search history.

(57) **CLAIM**

The ornamental design for a portion of a lighting fixture, as  
shown and described.

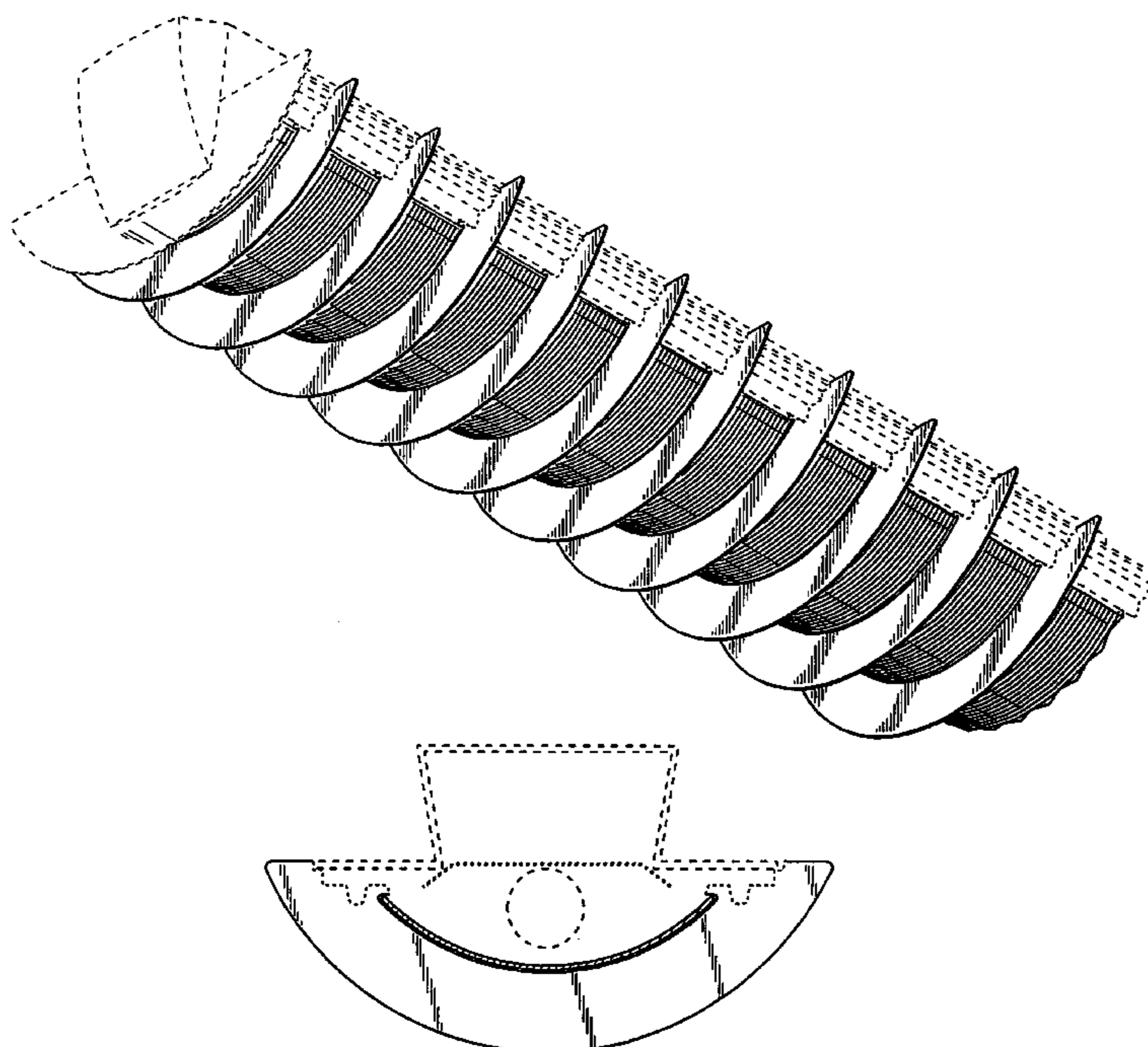
(56) **References Cited**  
**U.S. PATENT DOCUMENTS**

**DESCRIPTION**

FIG. 1 is a bottom perspective view of a portion of a lighting  
fixture showing our new design;  
FIG. 2 is another bottom perspective view thereof with the  
end cap and end shield shown in dashed lines removed;  
FIG. 3 is bottom plan view thereof;  
FIG. 4 is a side elevational view thereof, the other side being  
a mirror image;  
FIG. 5 is a top plan view thereof; and,  
FIG. 6 is an enlarged cross-sectional view thereof taken long  
lines 6-6 in FIG. 4.  
FIGS. 1-5 are broken away to indicate indeterminate length.  
The broken lines shown in FIGS. 1-6 are for illustrative  
purposes only and form no part of our claimed design. The  
broken lines in FIG. 5 also represent the bounds of the  
claimed design; the regions within these broken lines form  
no part of our claimed design.

D117,643 S	*	11/1939	Stewart	.....	D26/77
D120,544 S	*	5/1940	Carter, Jr.	.....	D26/77
D130,740 S	*	12/1941	Biller	.....	D26/77
D143,641 S	*	1/1946	Biller et al.	.....	D26/121
D147,905 S	*	11/1947	Holmes	.....	D26/86
D156,765 S	*	1/1950	Quin	.....	D26/77
D160,417 S	*	10/1950	Nitardy	.....	D26/77
2,946,880 A	*	7/1960	Picha et al.	.....	362/224
D455,516 S	*	4/2002	Casciani et al.	.....	D26/76
6,402,345 B1	*	6/2002	Fishman	.....	362/291
D480,168 S		9/2003	Herst et al.		
D480,172 S		9/2003	Herst et al.		
D480,500 S		10/2003	Herst et al.		

**1 Claim, 5 Drawing Sheets**



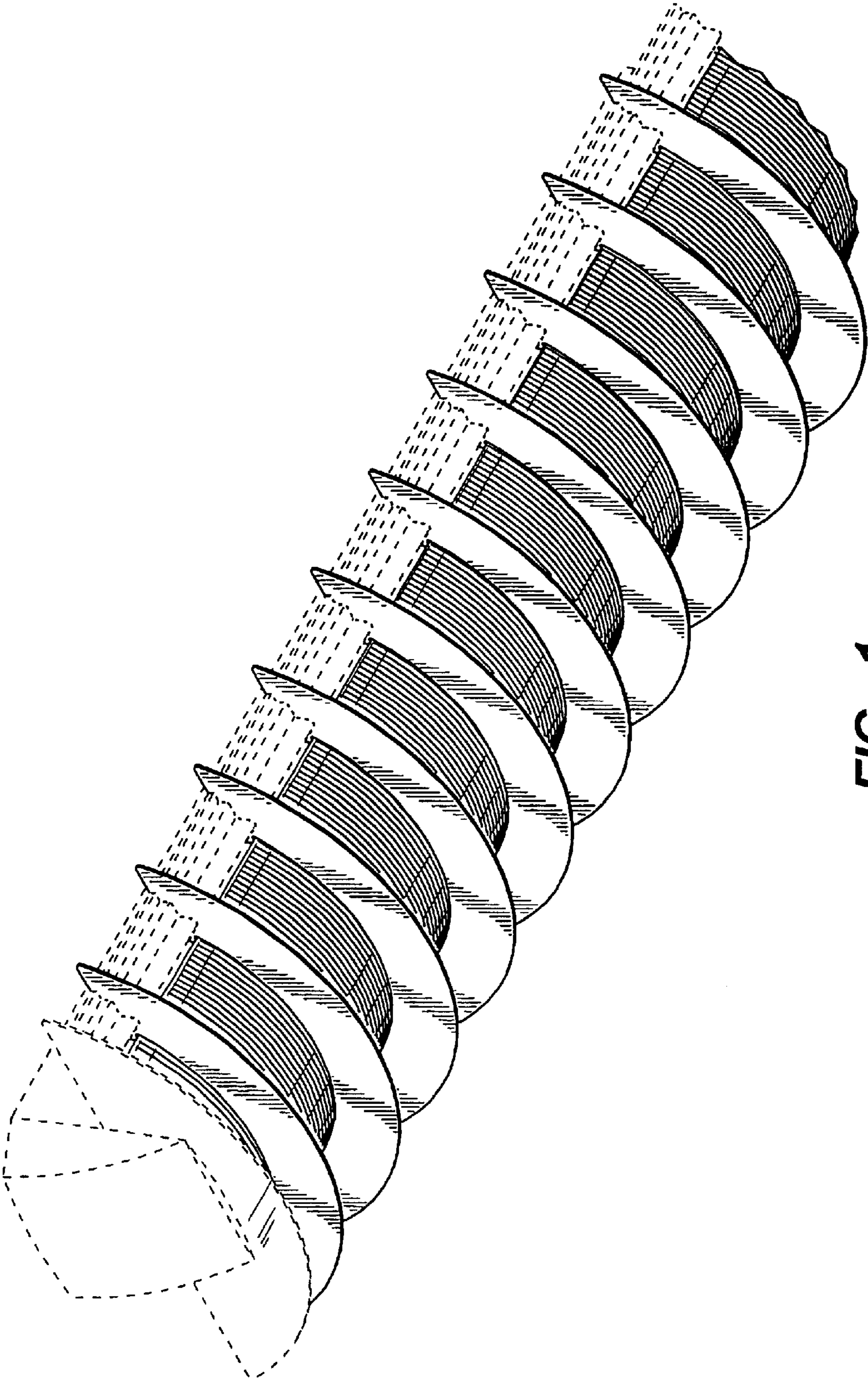
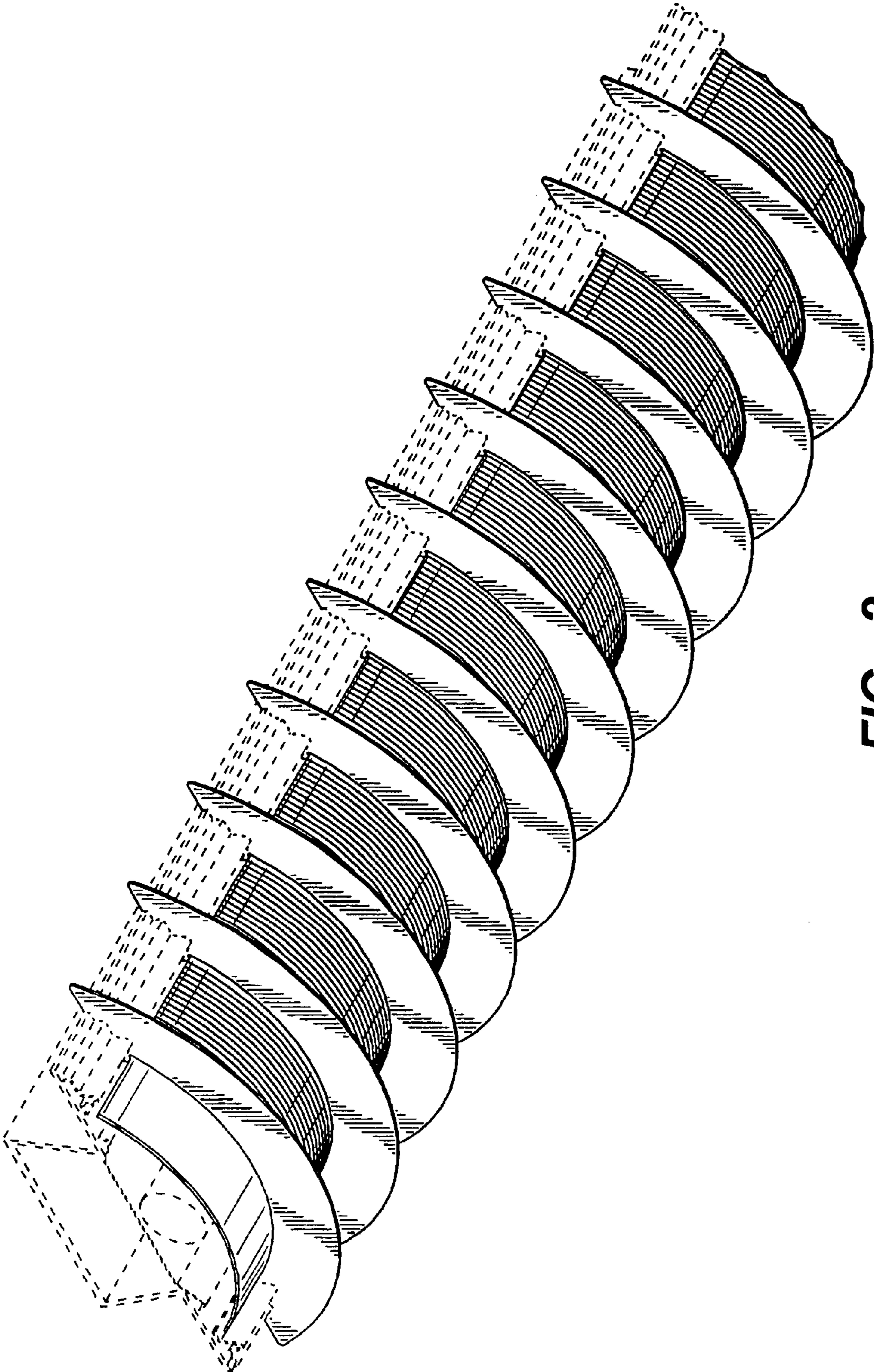
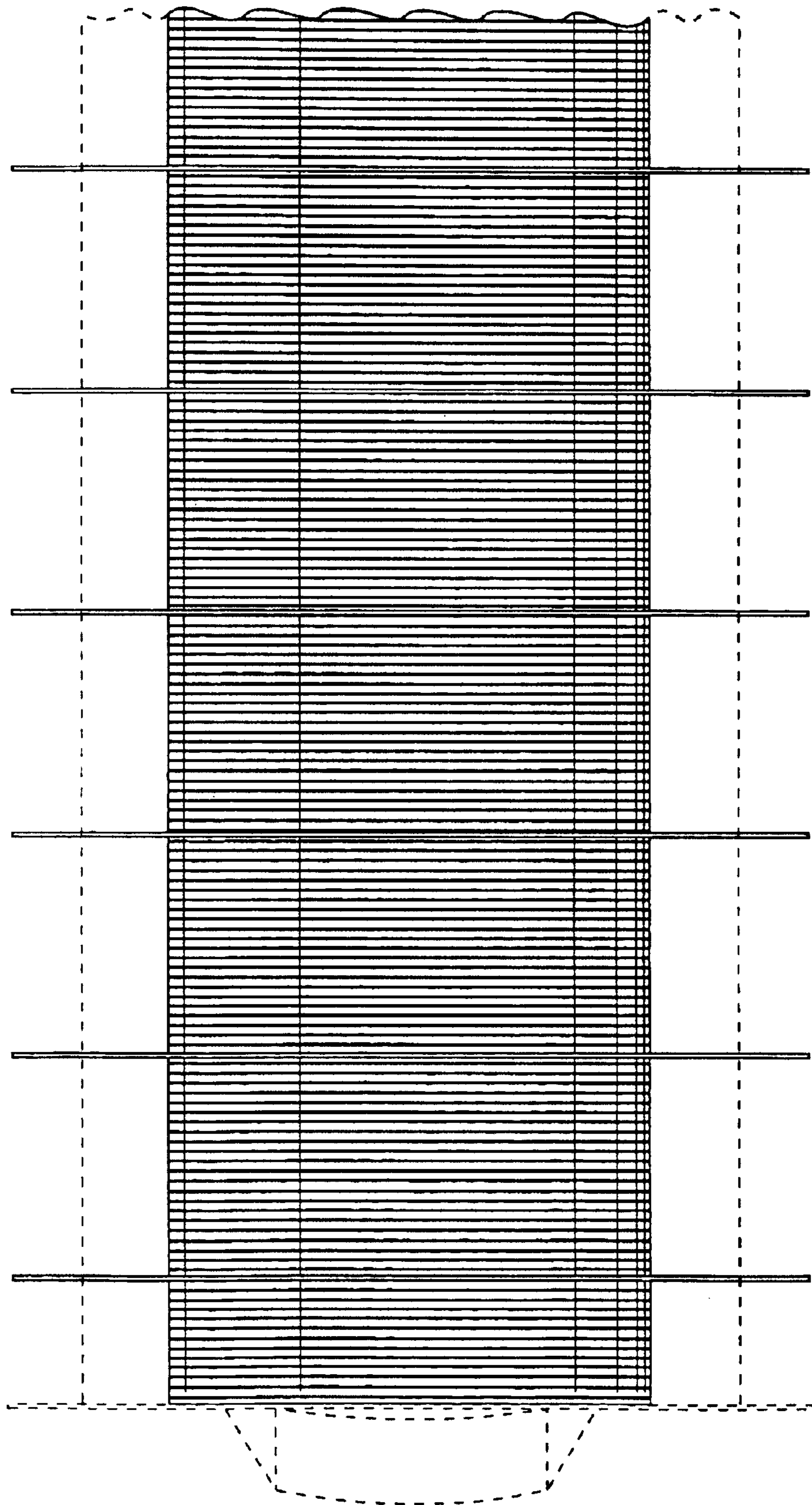


FIG.-1





**FIG.--2**



**FIG. 3**

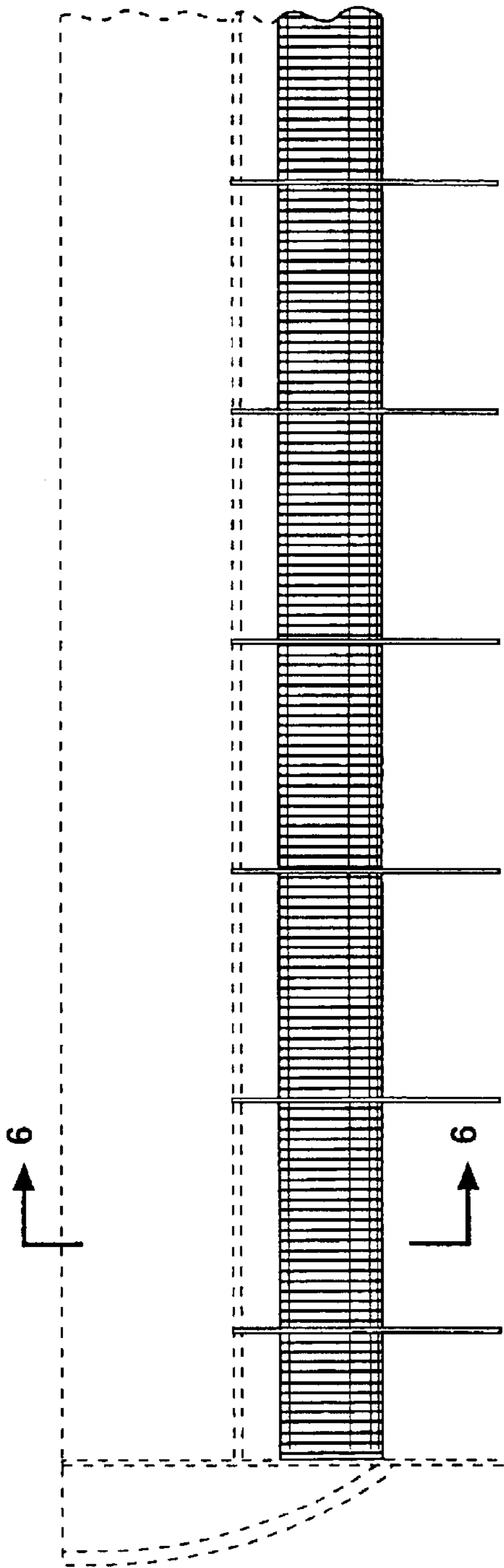


FIG. 4

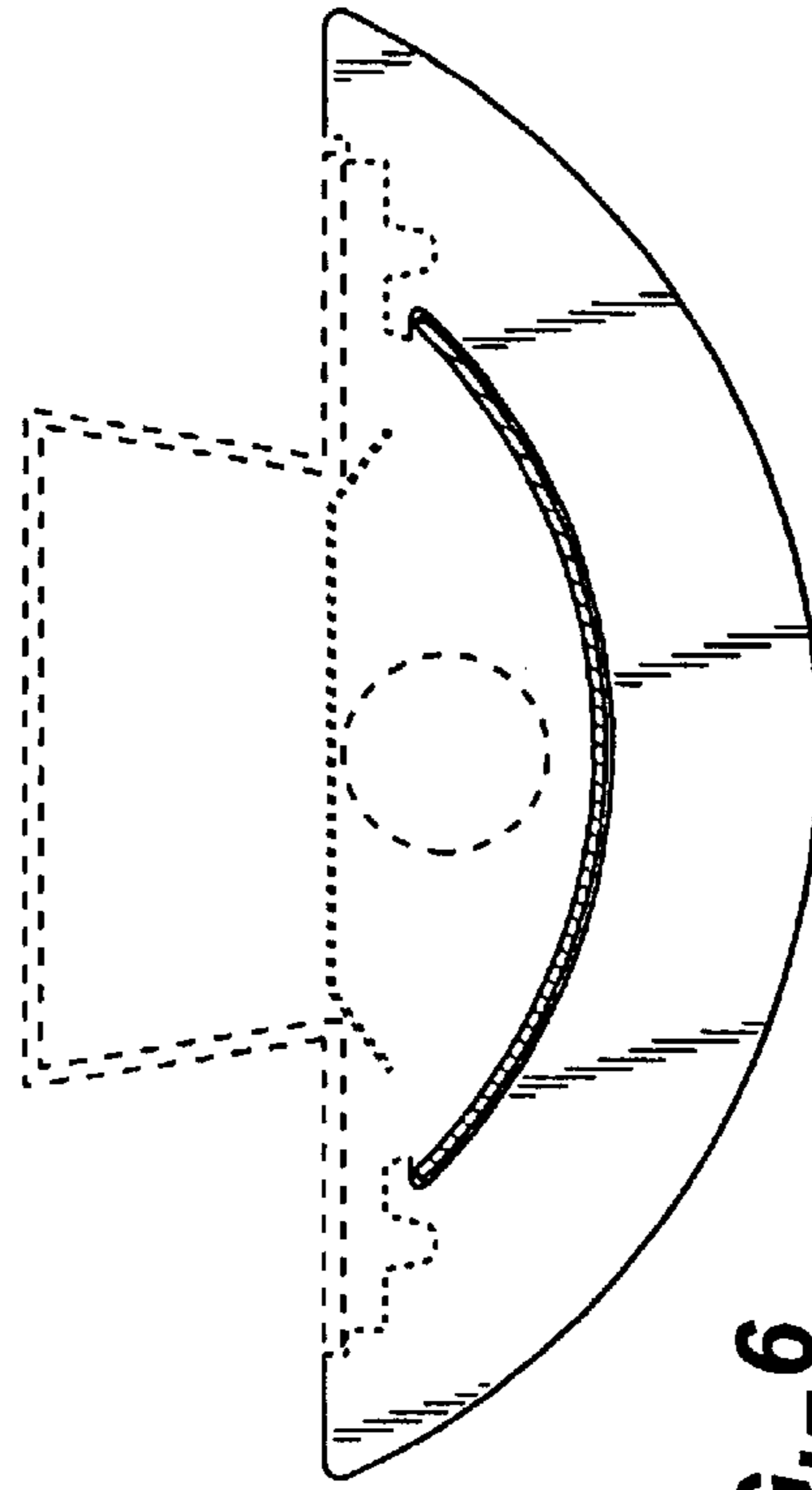
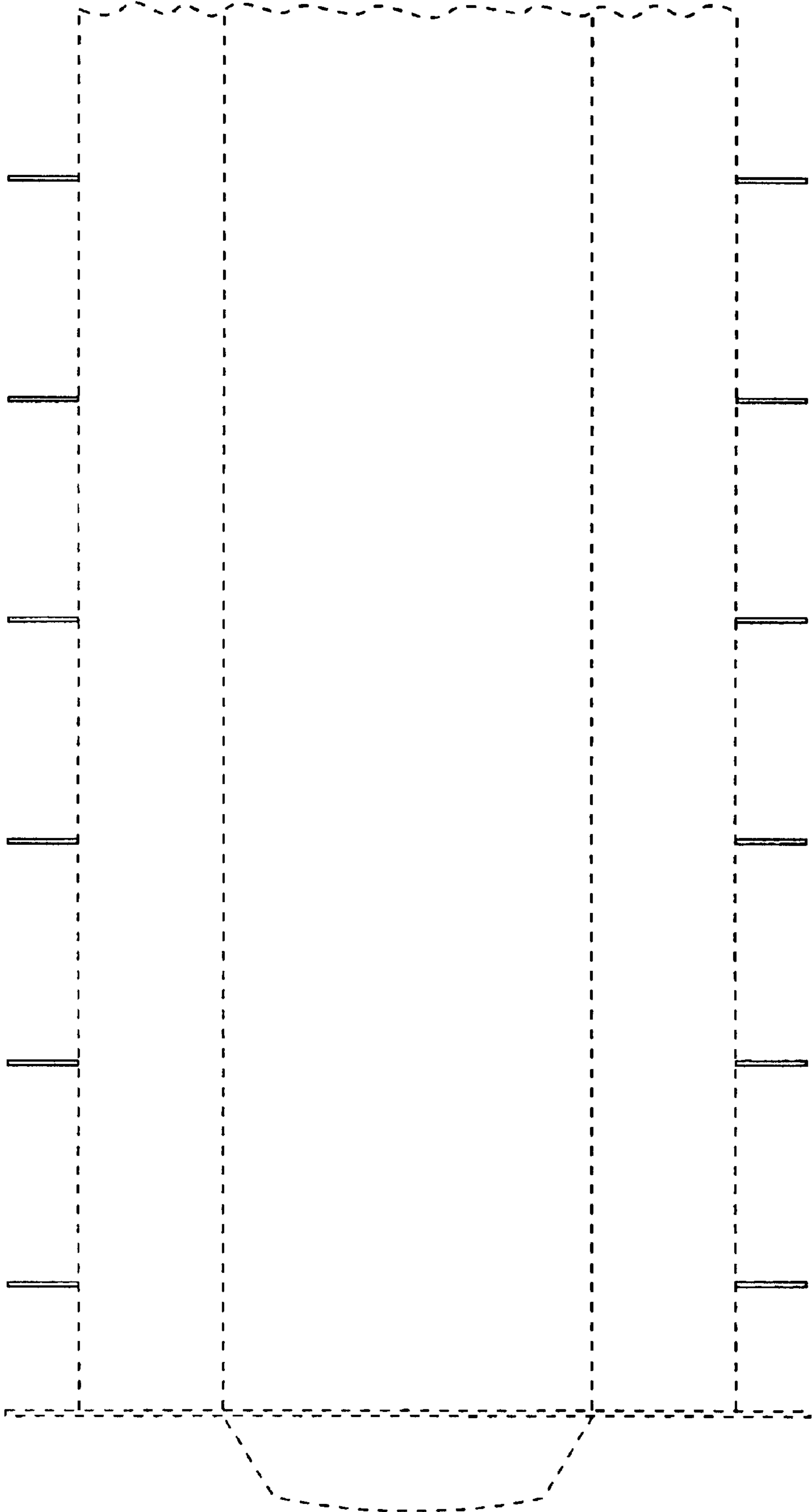


FIG. 6



**FIG. 5**