

US00D521675S

(12) **United States Design Patent**
Chen

(10) **Patent No.:** **US D521,675 S**

(45) **Date of Patent:** **** May 23, 2006**

(54) **PENDANT LAMP**

(76) Inventor: **Wen-Tsung Chen**, No. 15-1, Fen Liao Road, Tung Lin Tsun, Linkou Hsiang, Taipei Hsien (TW)

(**) Term: **14 Years**

(21) Appl. No.: **29/233,133**

(22) Filed: **Jun. 29, 2005**

(51) **LOC (8) Cl.** **26-03**

(52) **U.S. Cl.** **D26/76**

(58) **Field of Classification Search** D26/72,
D26/75-78, 118, 122, 24; 362/605, 147,
362/151, 217-225

See application file for complete search history.

(56) **References Cited**

U.S. PATENT DOCUMENTS

1,408,597 A * 3/1922 Helvey 362/347
D329,919 S * 9/1992 Jahn D26/77

* cited by examiner

Primary Examiner—Clare E Heflin

(74) *Attorney, Agent, or Firm*—Rosenberg, Klein & Lee

(57) **CLAIM**

The ornamental design for a “pendant lamp,” as shown and described.

DESCRIPTION

FIG. 1 is a perspective view of a “pendant lamp” showing my new design;

FIG. 2 is a front view thereof;

FIG. 3 is a rear view thereof;

FIG. 4 is a left side view thereof;

FIG. 5 is a right side view thereof;

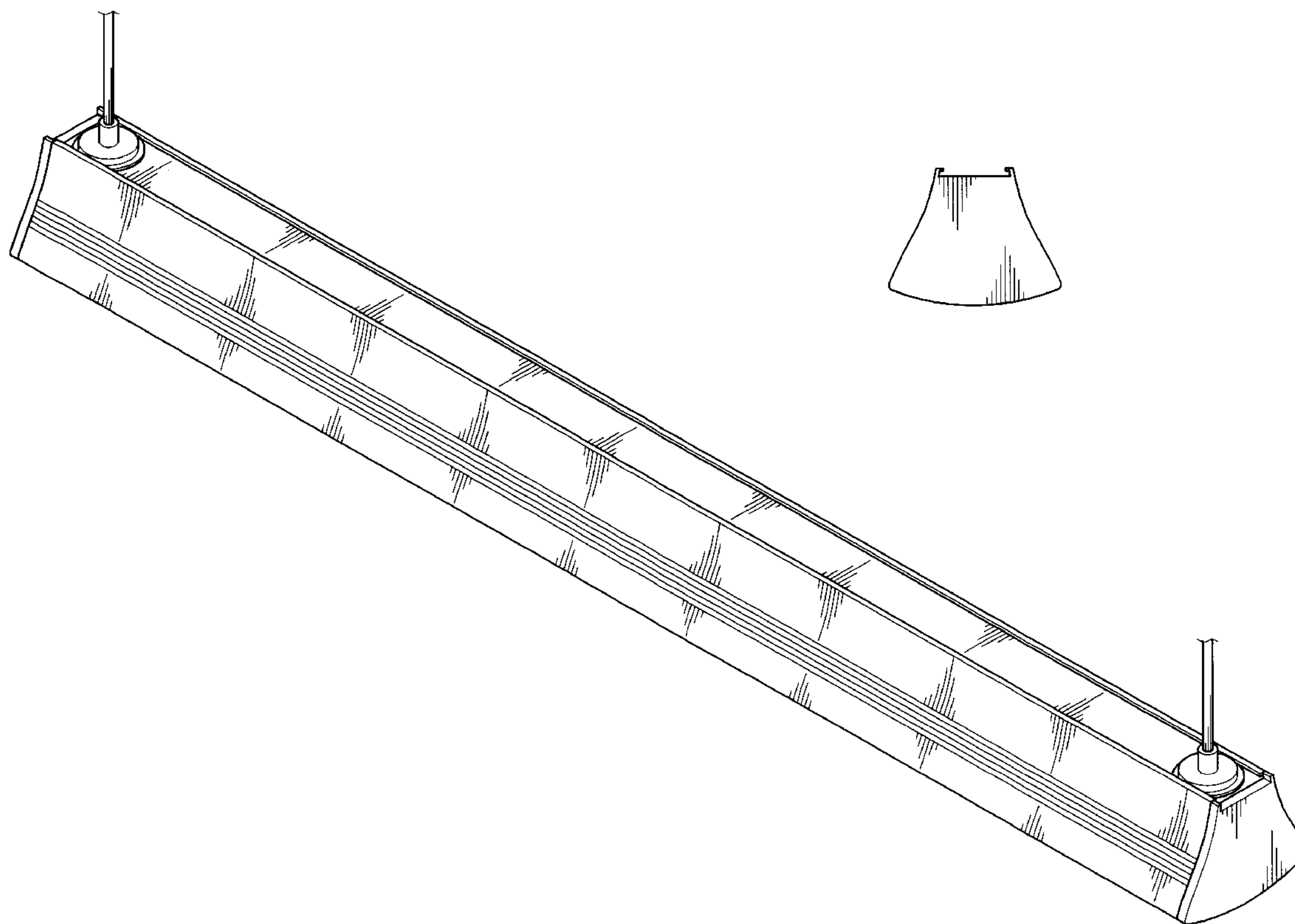
FIG. 6 is a top view thereof;

FIG. 7 is a bottom view thereof; and,

FIG. 8 is a perspective view showing the practical usage thereof.

The hanging supports have been omitted from FIGS. 1-7 for illustrative purposes only.

1 Claim, 5 Drawing Sheets



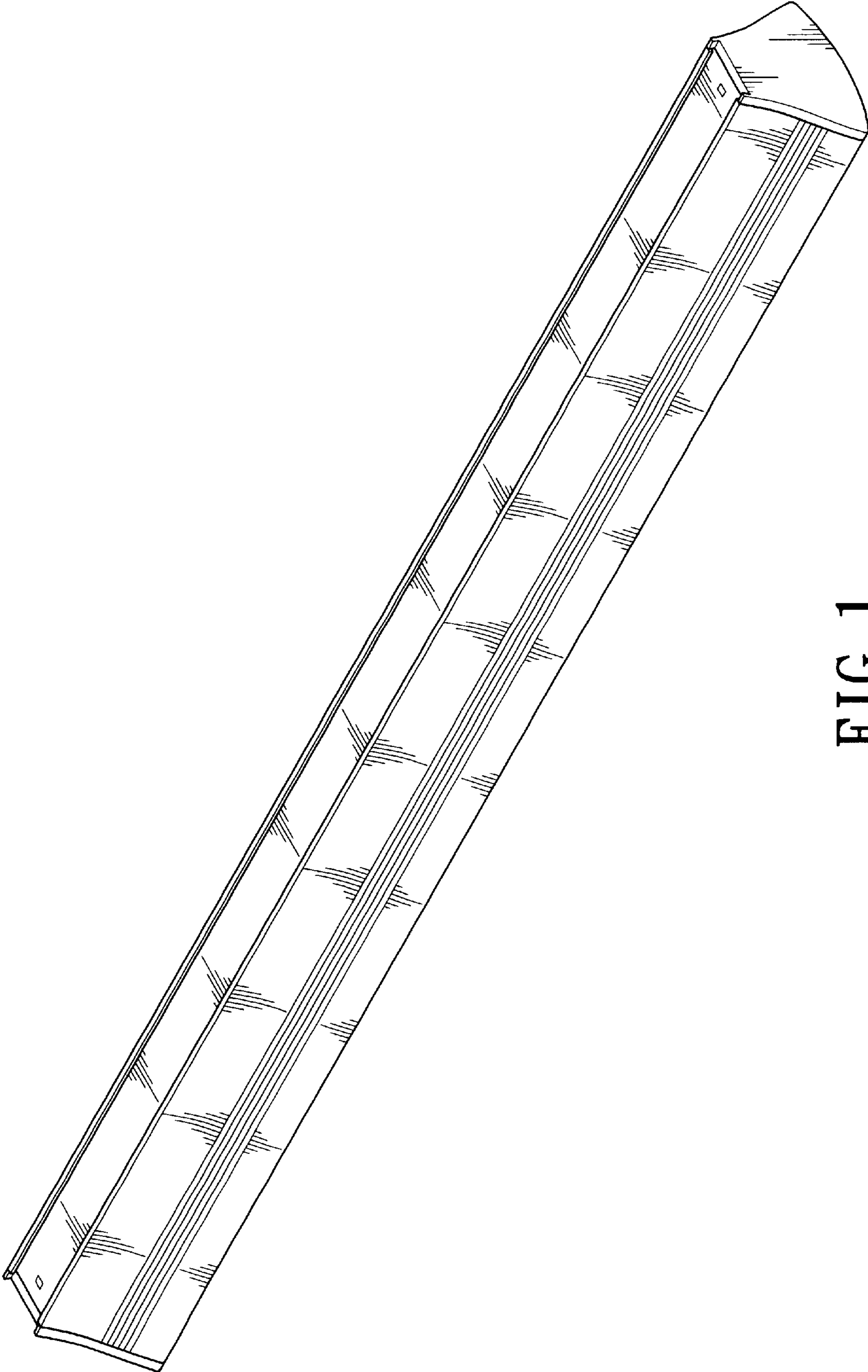


FIG. 1

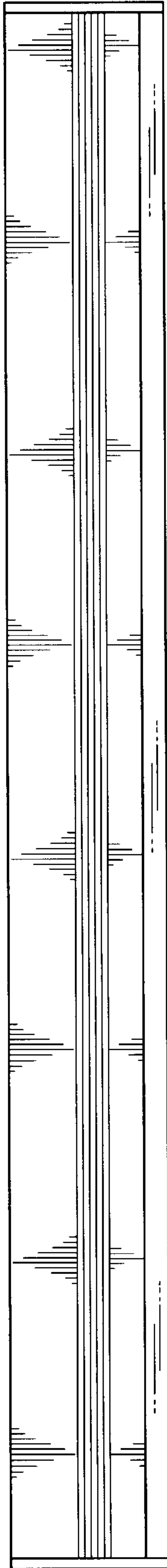


FIG. 2

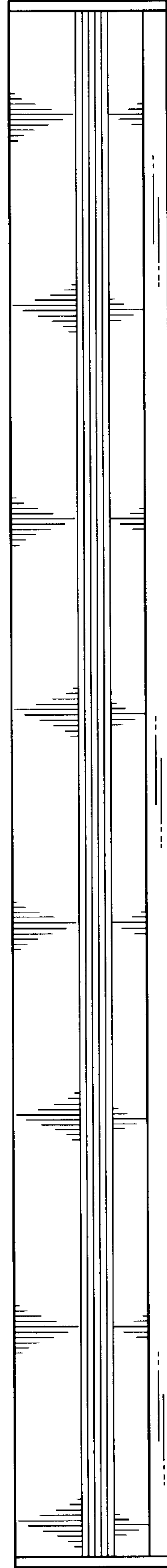


FIG. 3

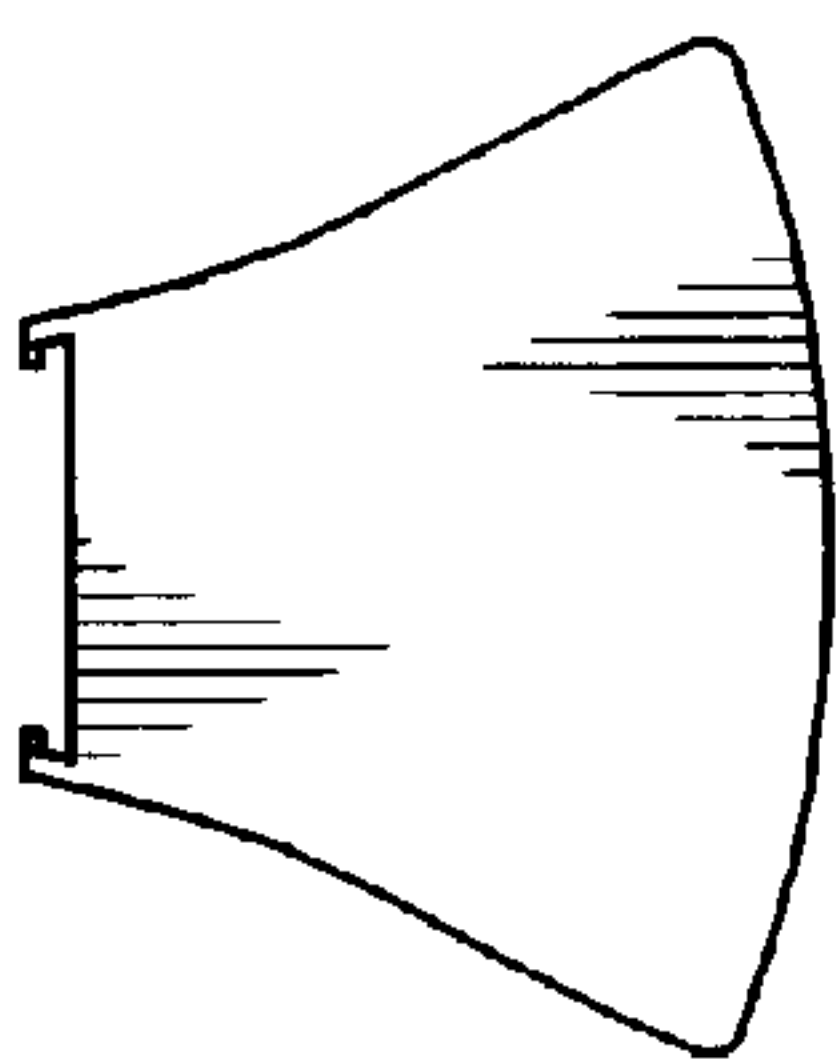


FIG. 5

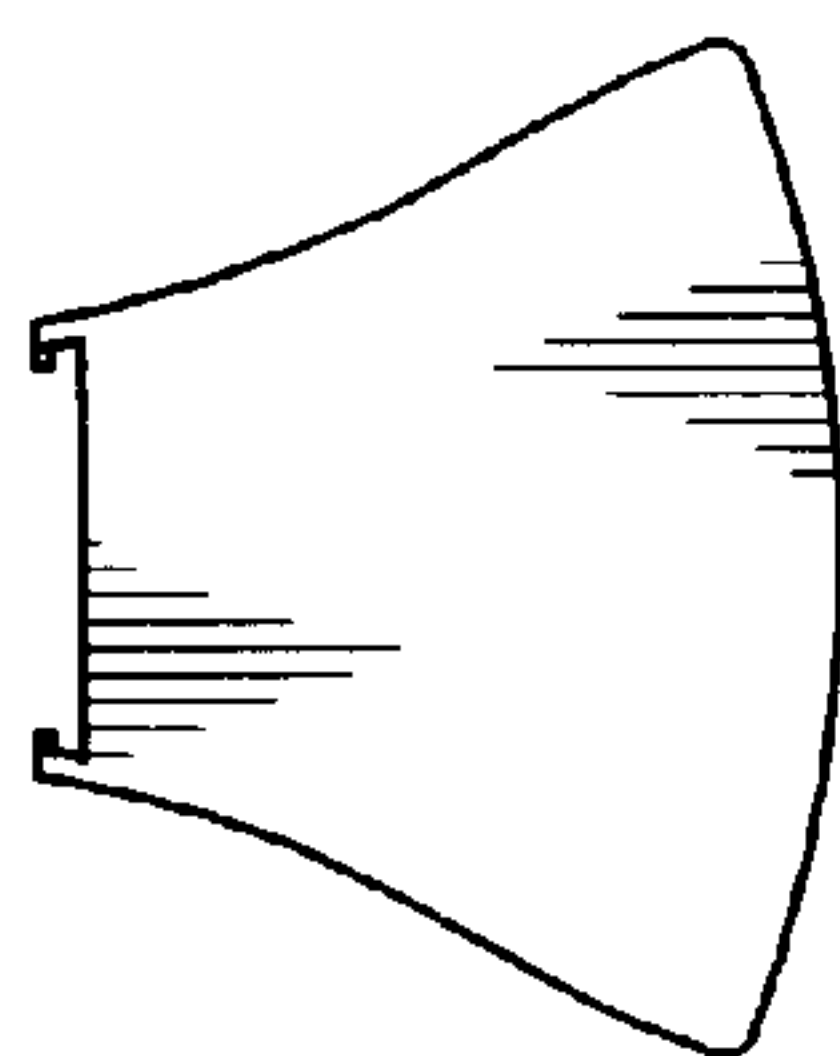


FIG. 4

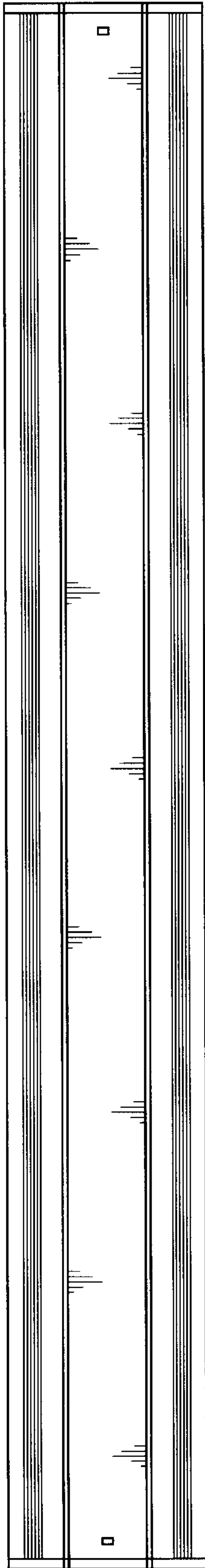


FIG. 6

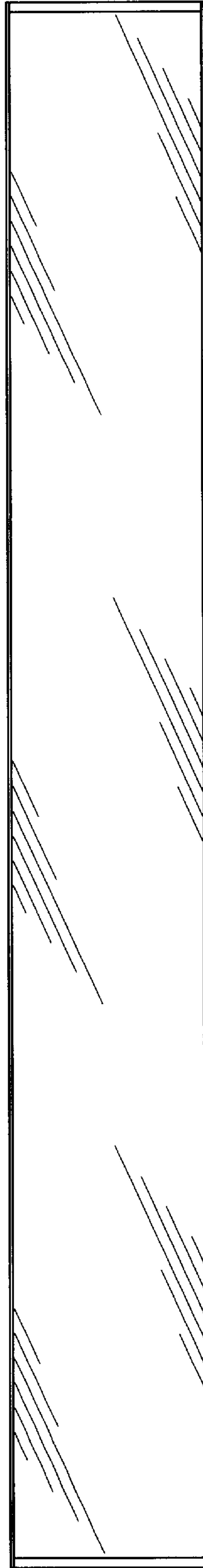


FIG. 7

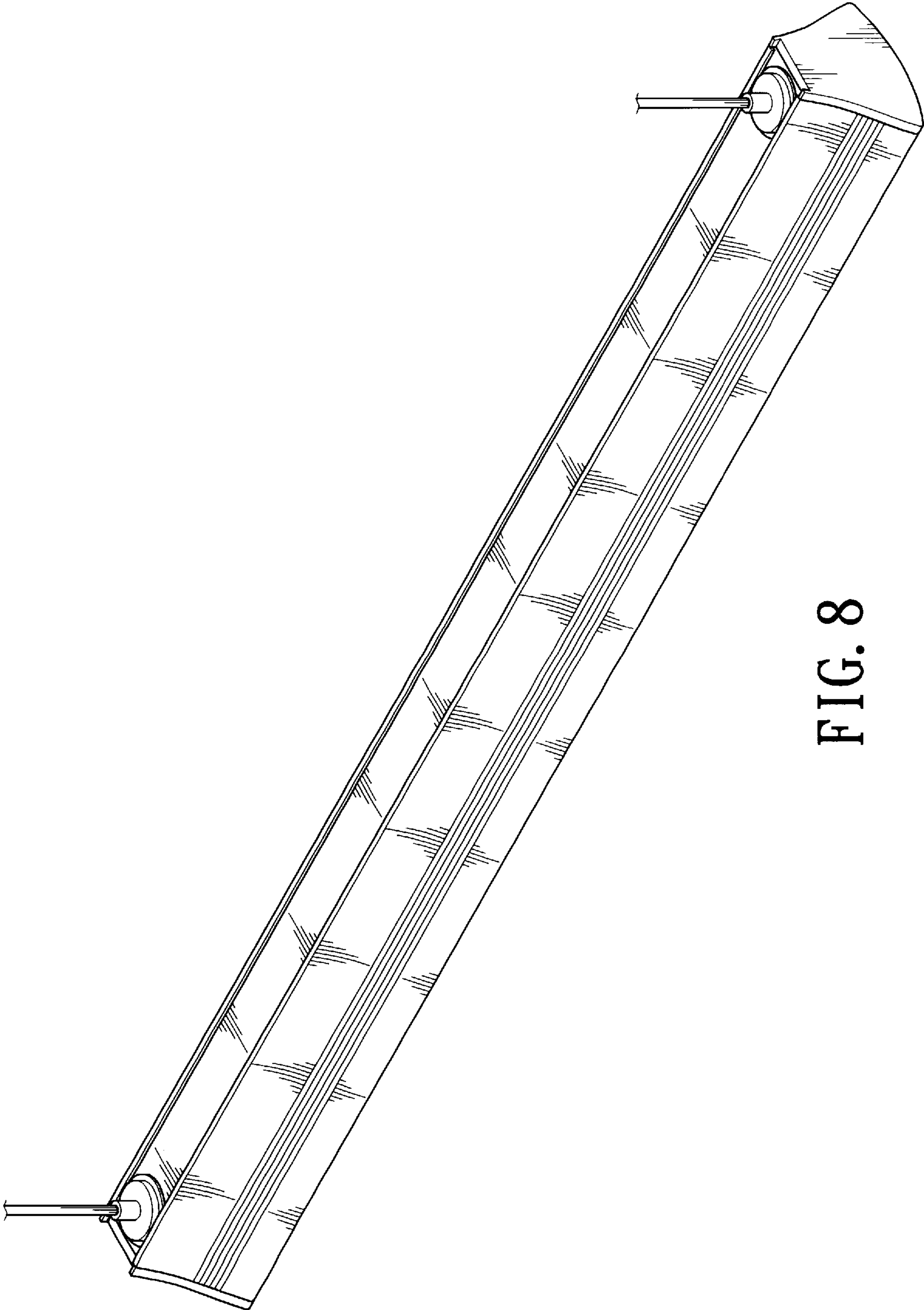


FIG. 8