

US00D521672S

(12) **United States Design Patent**
Stephant

(10) **Patent No.:** **US D521,672 S**

(45) **Date of Patent:** **** May 23, 2006**

(54) **LAMP**

(75) Inventor: **Philippe Stephant**, Hyères les palmiers (FR)

(73) Assignee: **C.G. Lighting Limited**, Hong Kong (HK)

(**) Term: **14 Years**

(21) Appl. No.: **29/229,024**

(22) Filed: **May 3, 2005**

(30) **Foreign Application Priority Data**

Nov. 3, 2004 (HK) 0412516

(51) **LOC (8) Cl.** **26-05**

(52) **U.S. Cl.** **D26/65; D26/63**

(58) **Field of Classification Search** D26/60-65, D26/93, 118, 107, 43, 51, 56; 362/269, 277, 362/278, 282, 285, 287, 288, 410, 413, 418-430, 362/449

See application file for complete search history.

(56) **References Cited**

U.S. PATENT DOCUMENTS

D51,026 S * 7/1917 Retherford D26/62

D175,432 S * 8/1955 Mehr D26/62
3,345,024 A * 10/1967 Victor D26/61
D385,646 S * 10/1997 Chan D26/107
D392,068 S * 3/1998 Newhouse D26/107
D402,071 S * 12/1998 Hsieh D26/63
D411,638 S * 6/1999 Schaak et al. D26/62

* cited by examiner

Primary Examiner—Clare E Heflin

(74) *Attorney, Agent, or Firm*—Fitzpatrick, Cella, Harper & Scinto

(57) **CLAIM**

The ornamental design for a lamp, substantially as shown and described.

DESCRIPTION

FIG. 1 is a top plan view of the lamp;
FIG. 2 is a bottom plan view thereof;
FIG. 3 is a front view thereof;
FIG. 4 is a rear view thereof;
FIG. 5 is a side view thereof; and,
FIG. 6 is an opposite side view thereof.

1 Claim, 3 Drawing Sheets

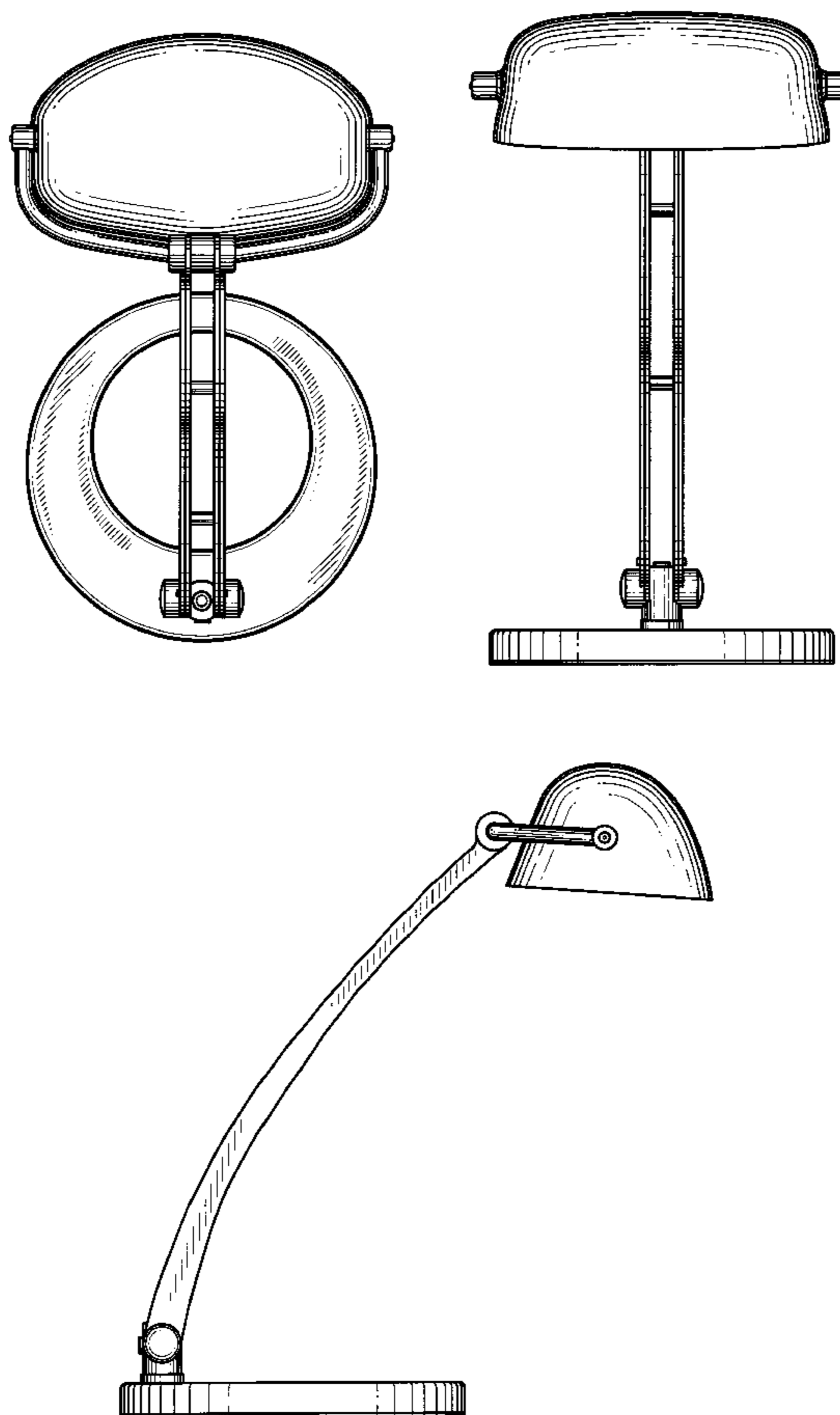


FIG. 2

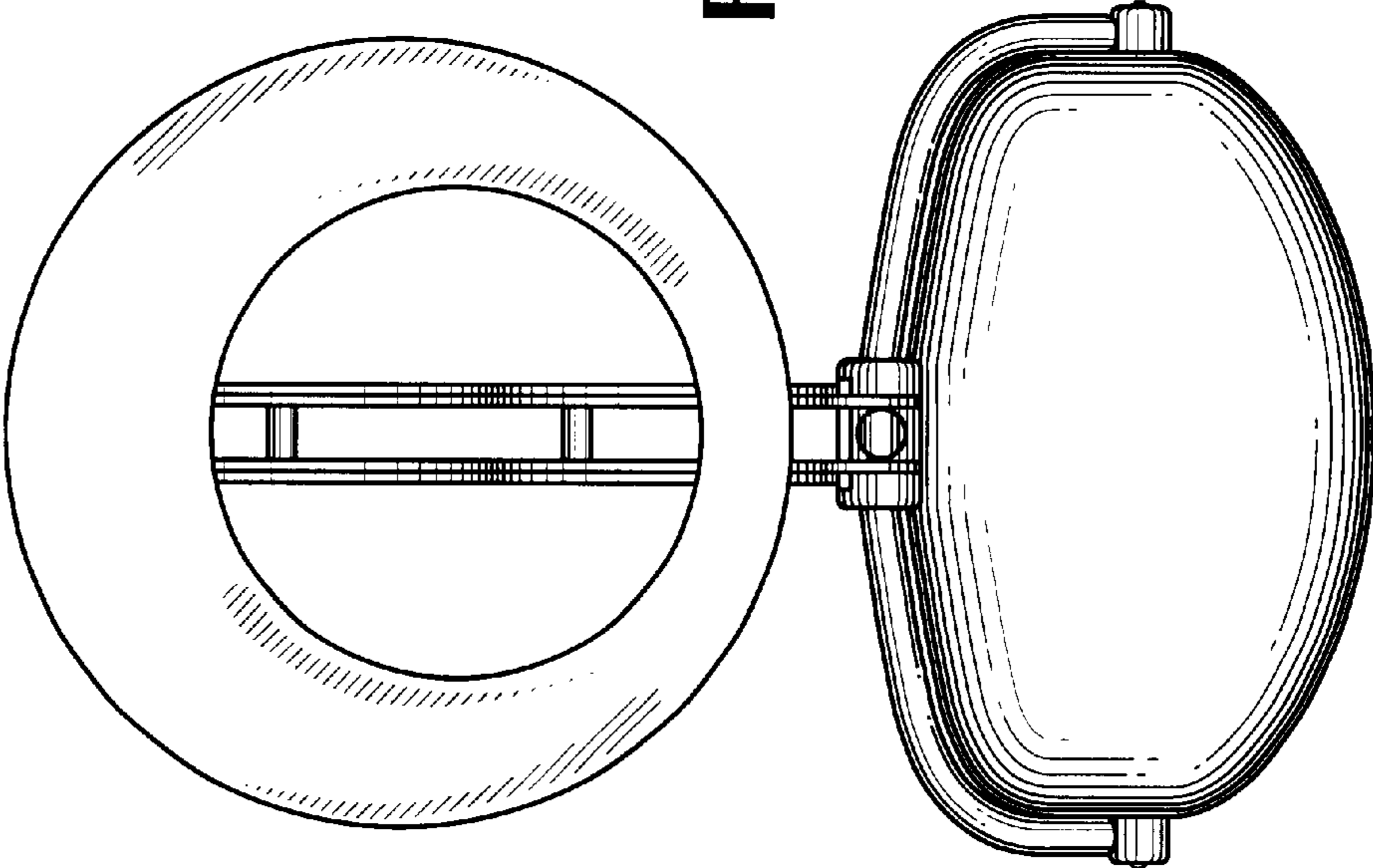
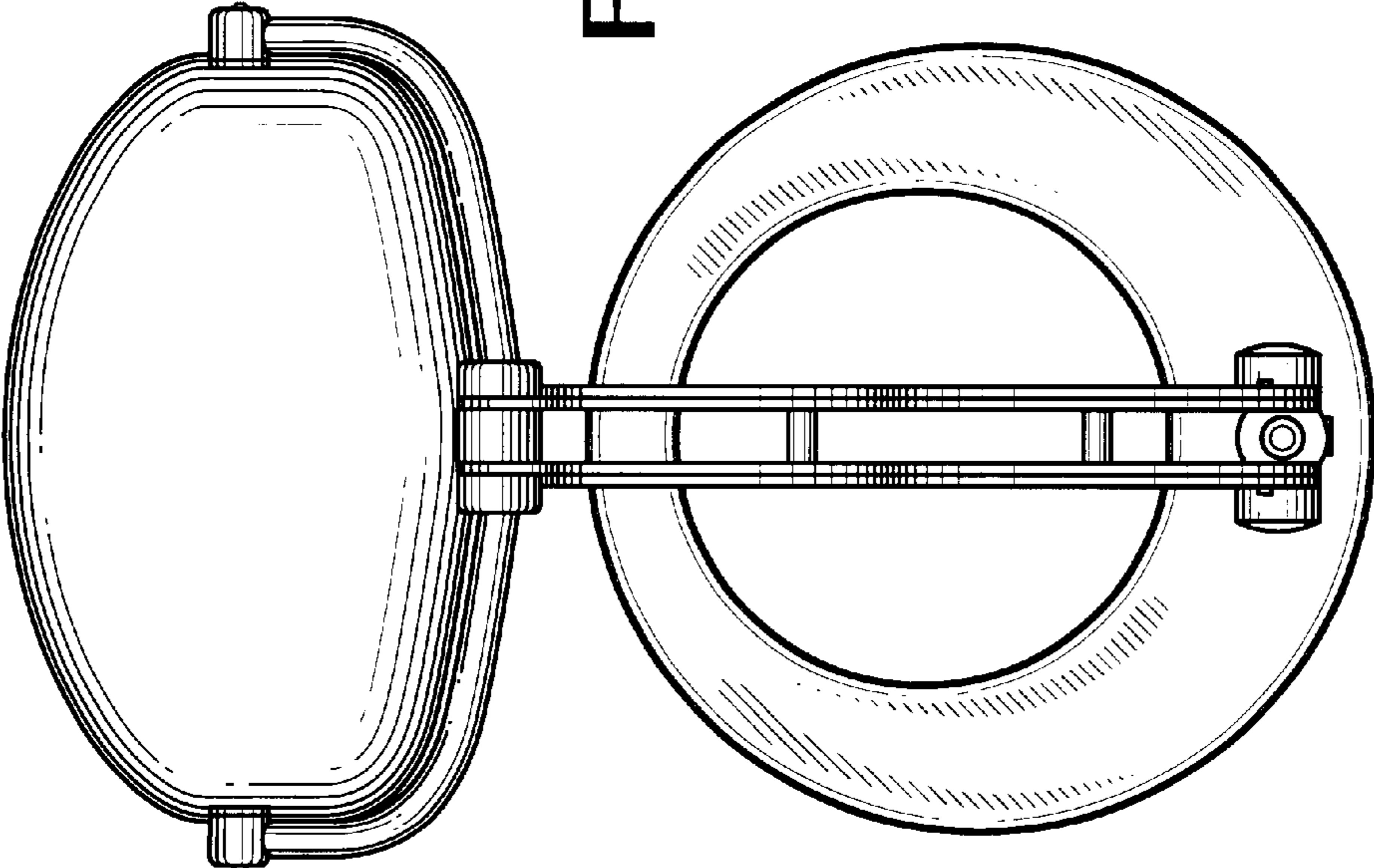


FIG. 1



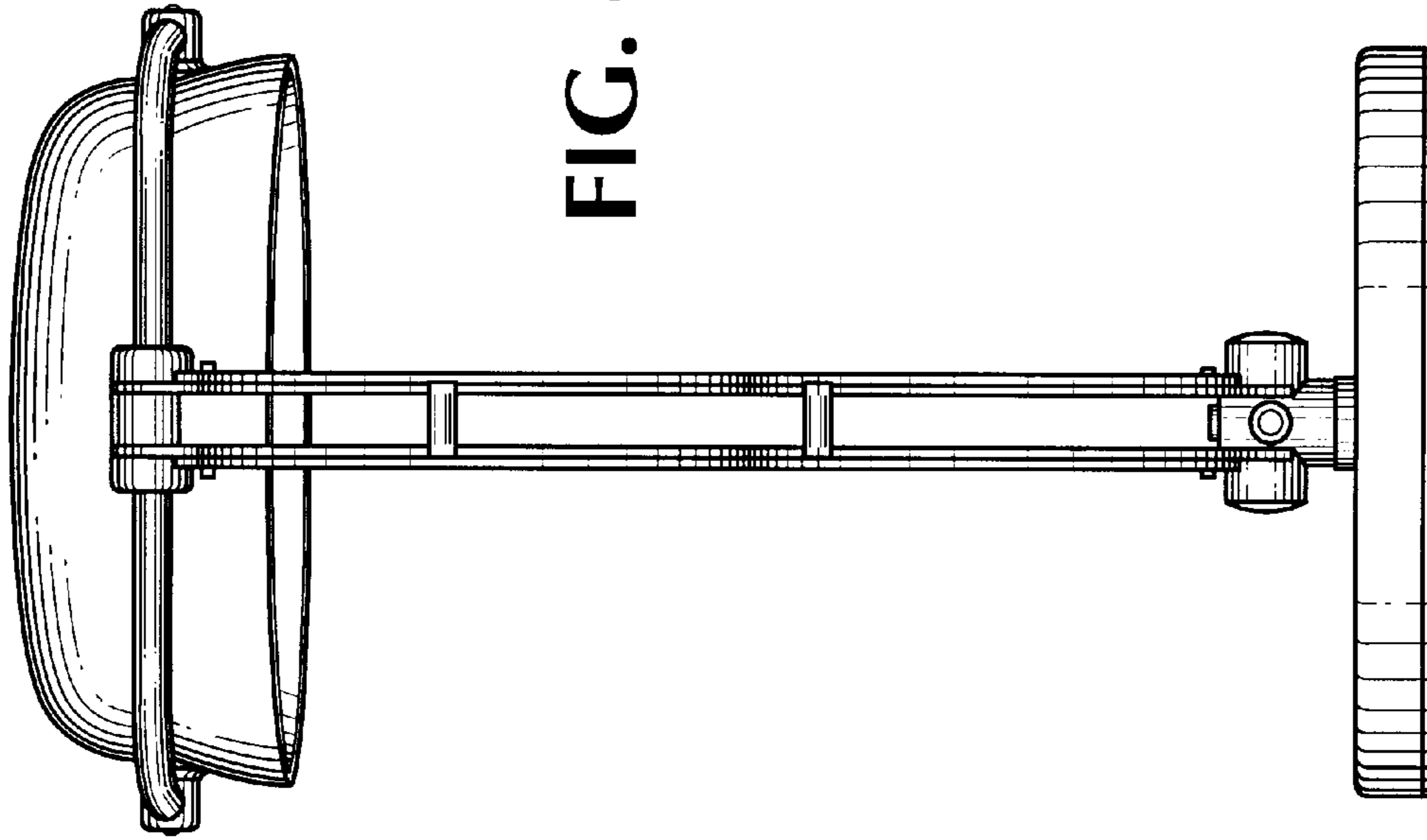


FIG. 4

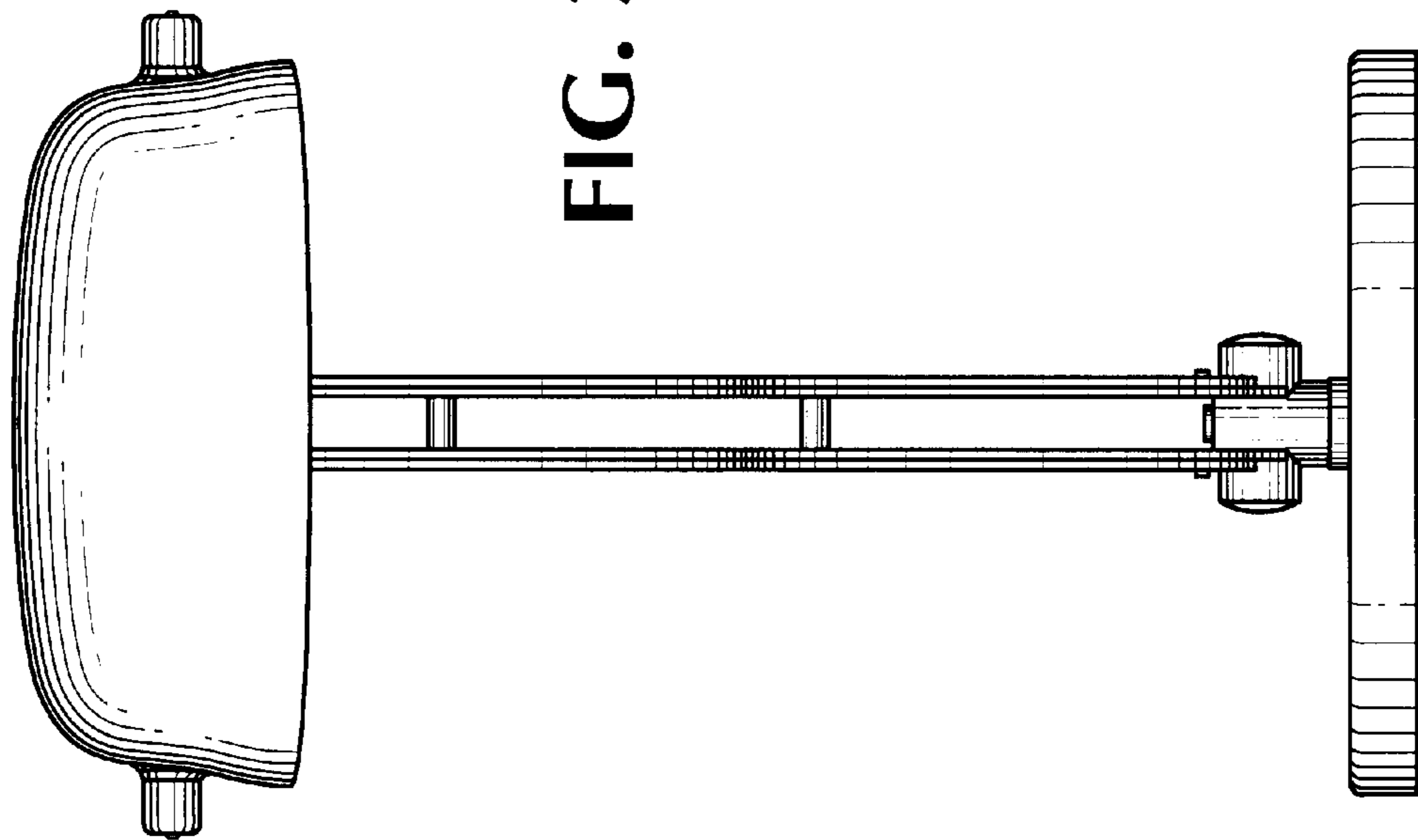


FIG. 3

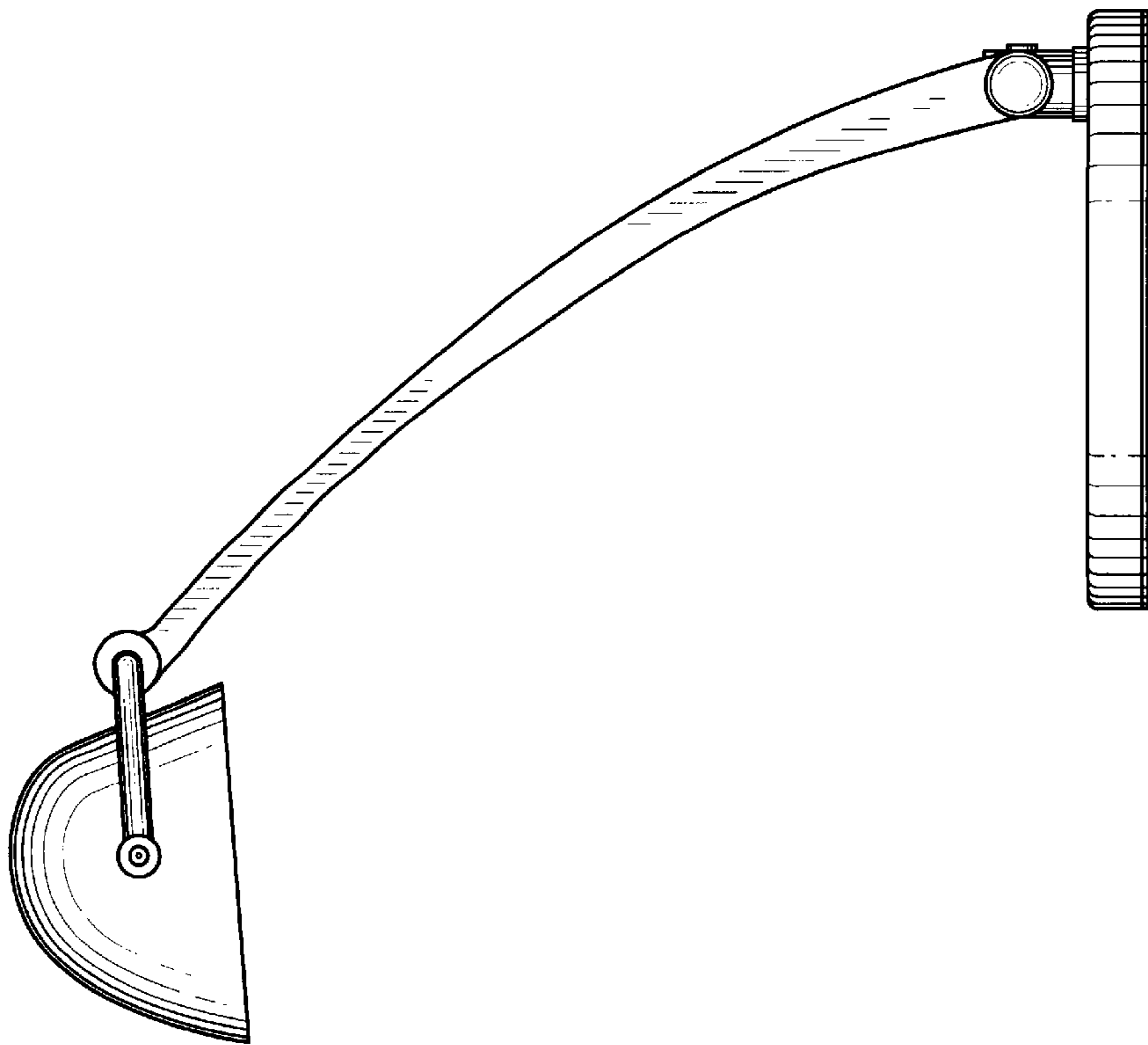


FIG. 6

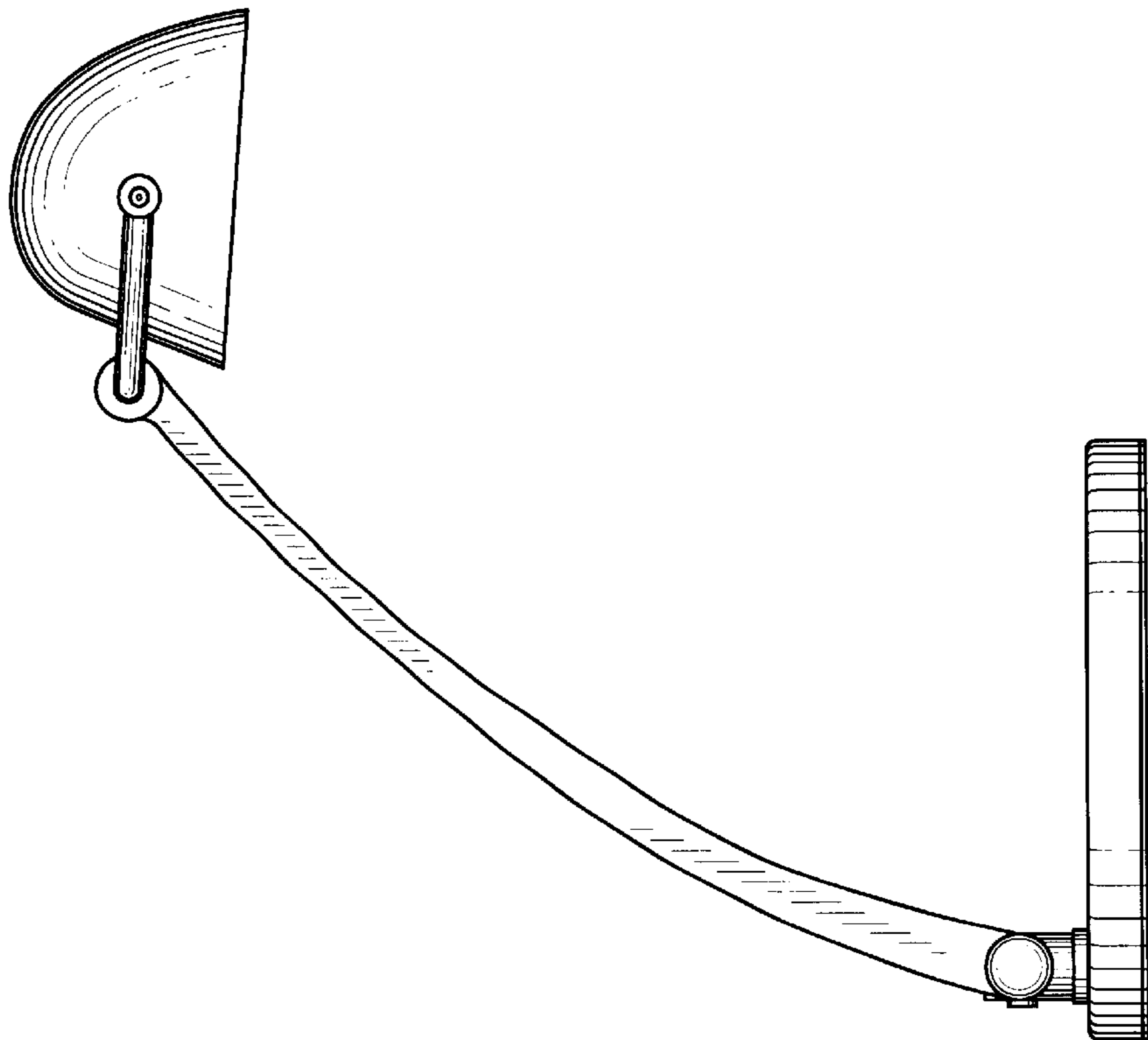


FIG. 5