

US00D521670S

(12) **United States Design Patent**
Kung

(10) **Patent No.:** **US D521,670 S**

(45) **Date of Patent:** **** May 23, 2006**

(54) **FLASHLIGHT**

(75) Inventor: **Kenneth Kung**, Hong Kong (CN)

(73) Assignees: **Tung Fat Industries Limited**, Hong Kong (HK); **Dorcy International Inc.**, OH (US)

(**) Term: **14 Years**

(21) Appl. No.: **29/228,915**

(22) Filed: **May 2, 2005**

(51) **LOC (8) Cl.** **26-02**

(52) **U.S. Cl.** **D26/49**

(58) **Field of Classification Search** D26/37-50;
362/157, 158, 171-174, 183-208
See application file for complete search history.

(56) **References Cited**

U.S. PATENT DOCUMENTS

D344,811 S * 3/1994 Garrity D26/49
D356,175 S * 3/1995 Yau D26/49

D363,564 S * 10/1995 Kish et al. D26/49
D425,231 S * 5/2000 Lynch et al. D26/49
D496,115 S * 9/2004 Lin D26/49
D509,011 S * 8/2005 Fritz D26/49

* cited by examiner

Primary Examiner—Marcus A. Jackson

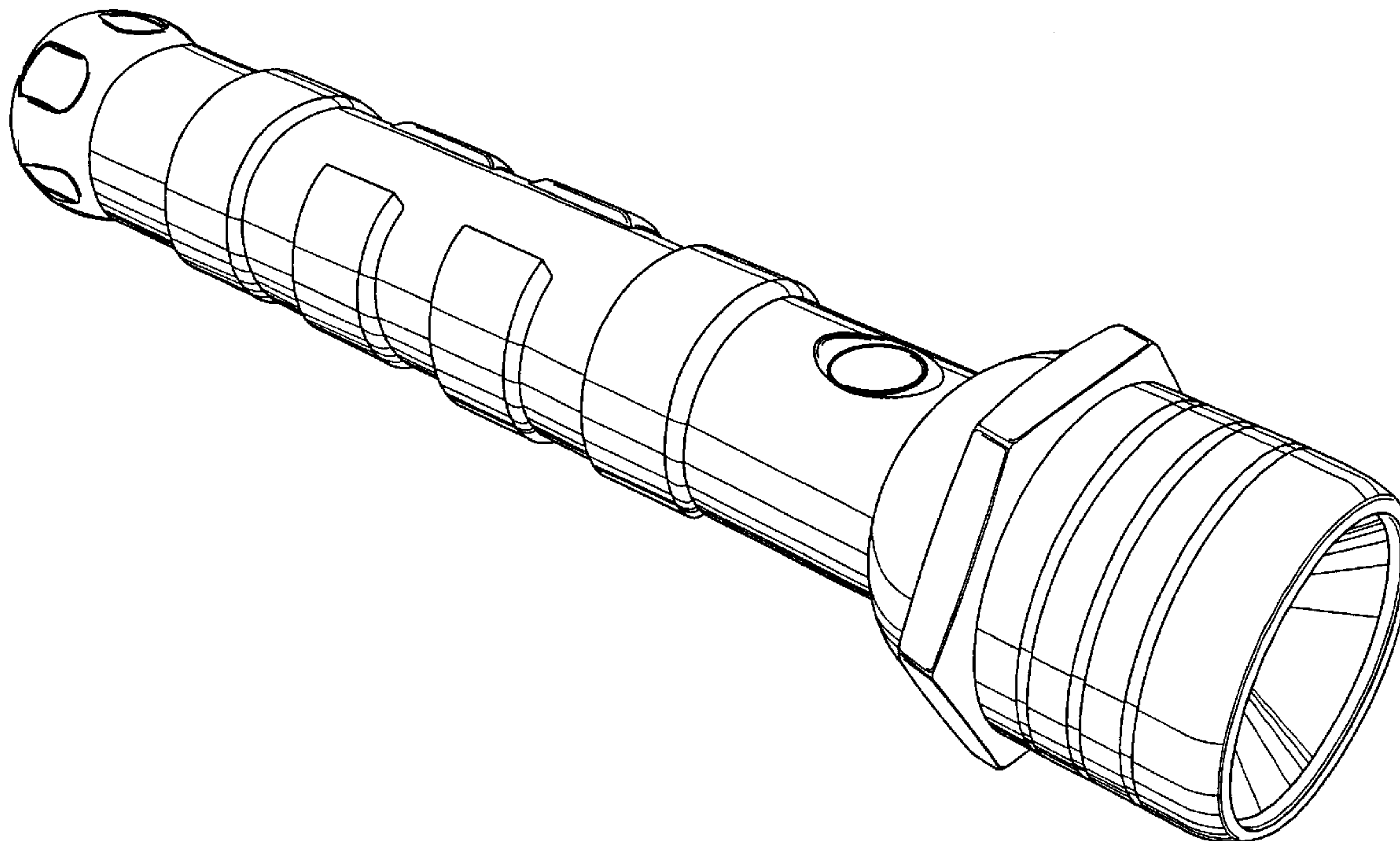
(57) **CLAIM**

The ornamental design for a flashlight, as shown.

DESCRIPTION

The claimed flashlight is used for supplying illumination. FIG. 1 is a front elevational view of a flashlight showing my new design; FIG. 2 is a rear elevational view thereof; FIG. 3 is a left side view thereof; FIG. 4 is a right side view thereof; FIG. 5 is a top plan view thereof; FIG. 6 is a bottom plan view thereof; and, FIG. 7 is a perspective view thereof.

1 Claim, 3 Drawing Sheets



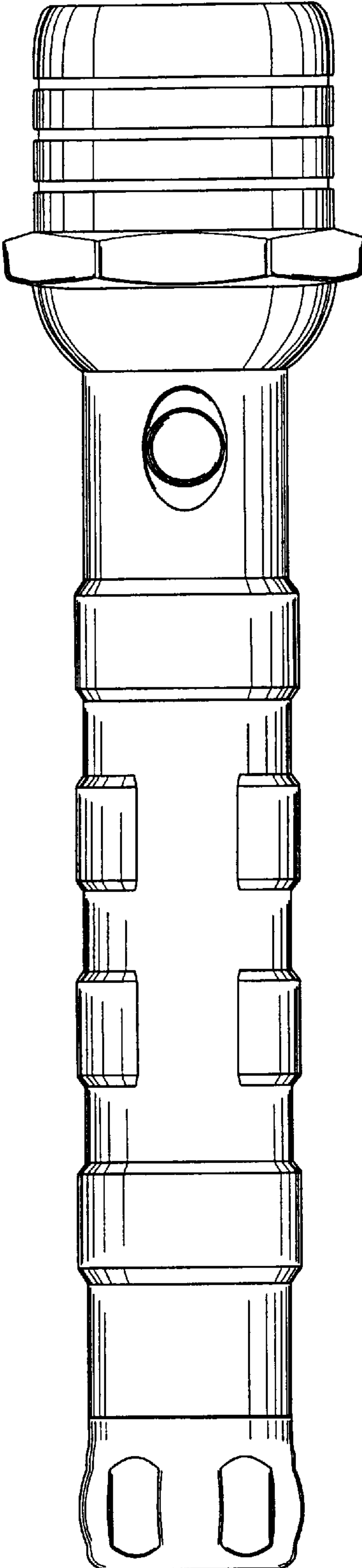


FIG. 1

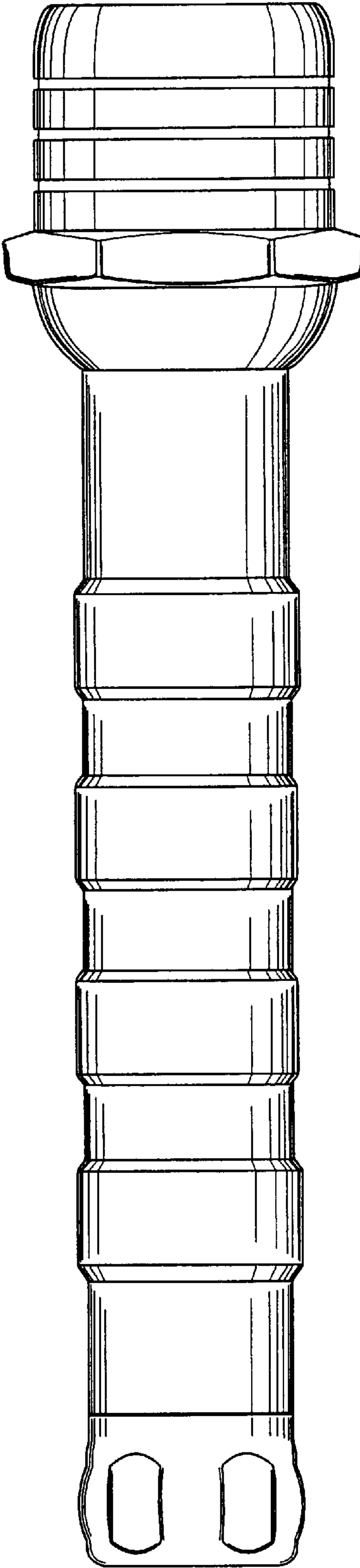


FIG. 2

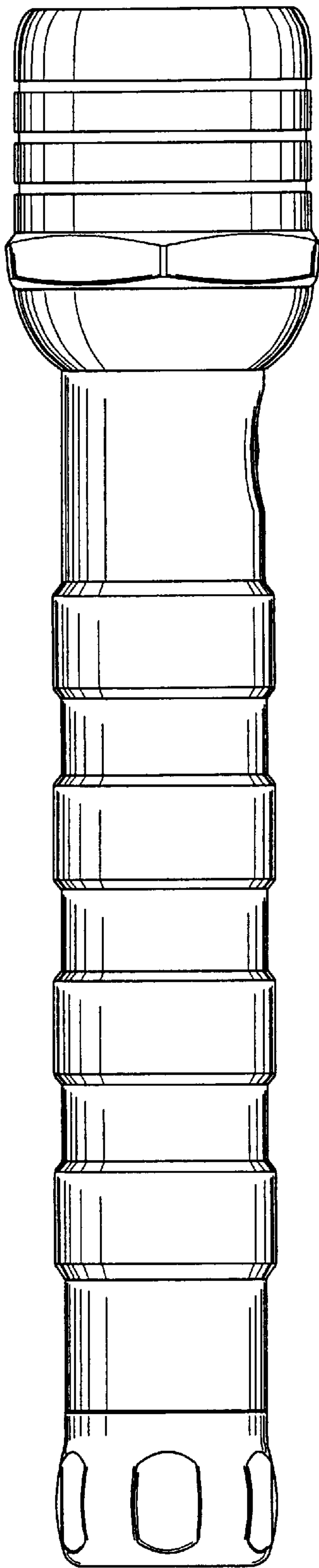


FIG. 3

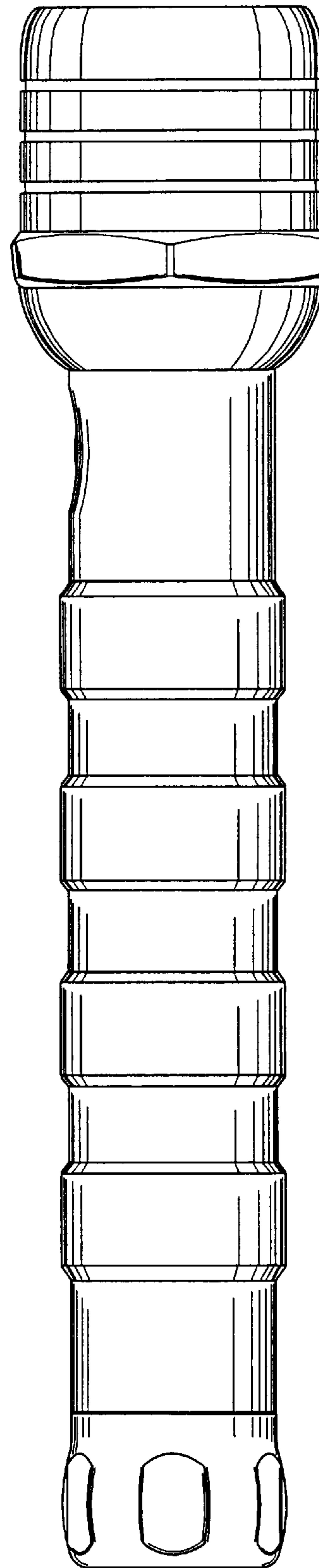


FIG. 4

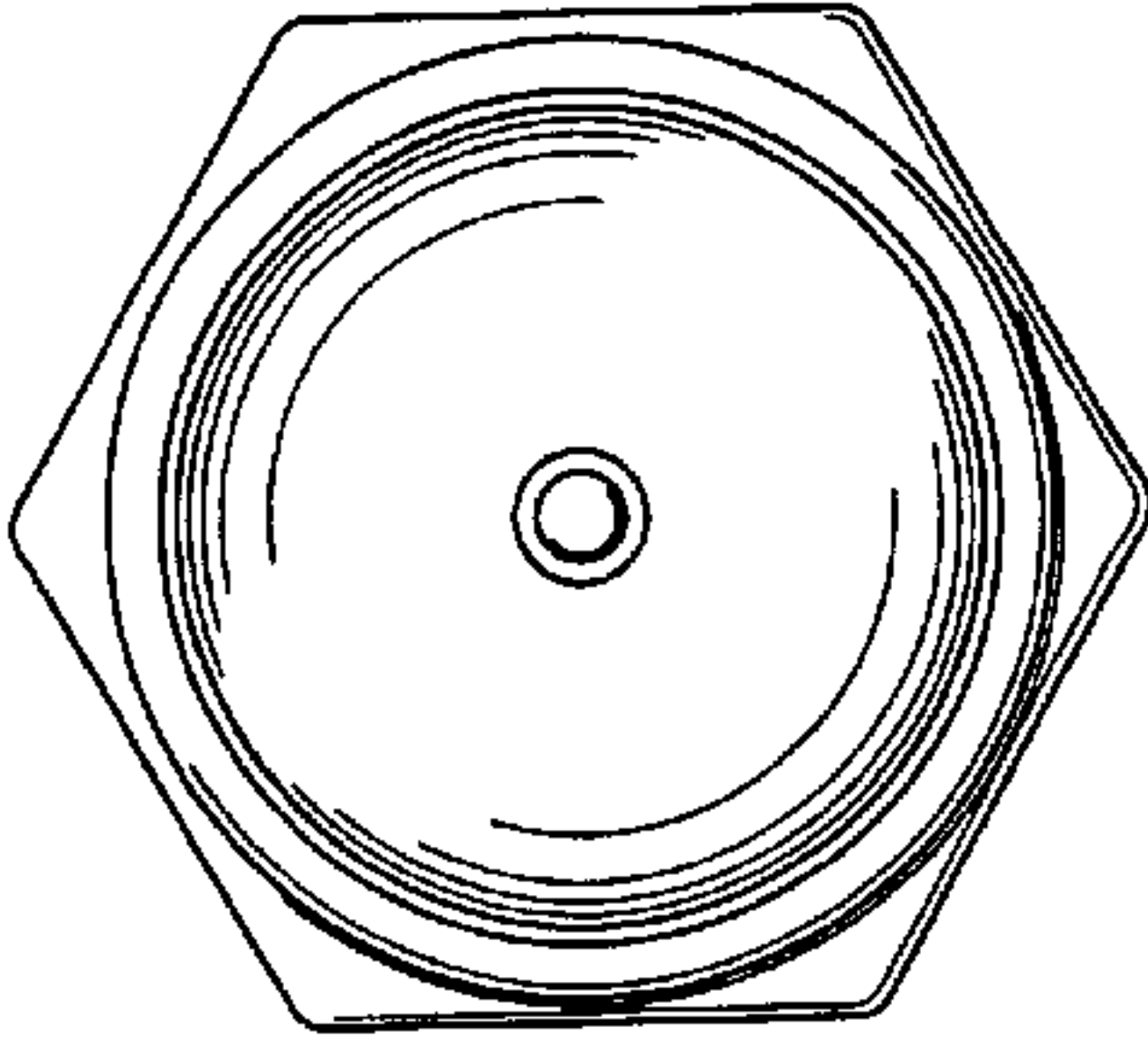


FIG. 5

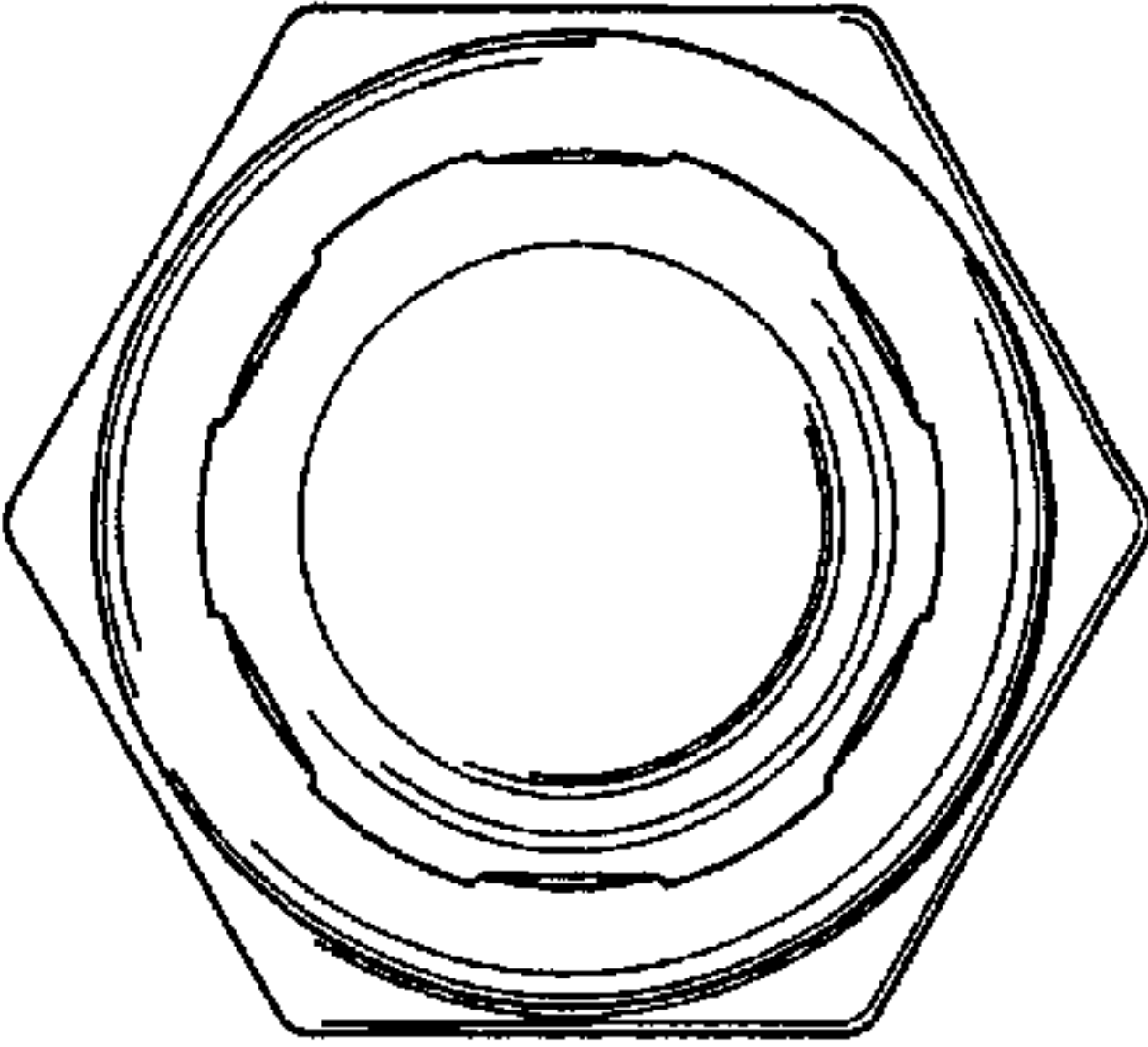


FIG. 6

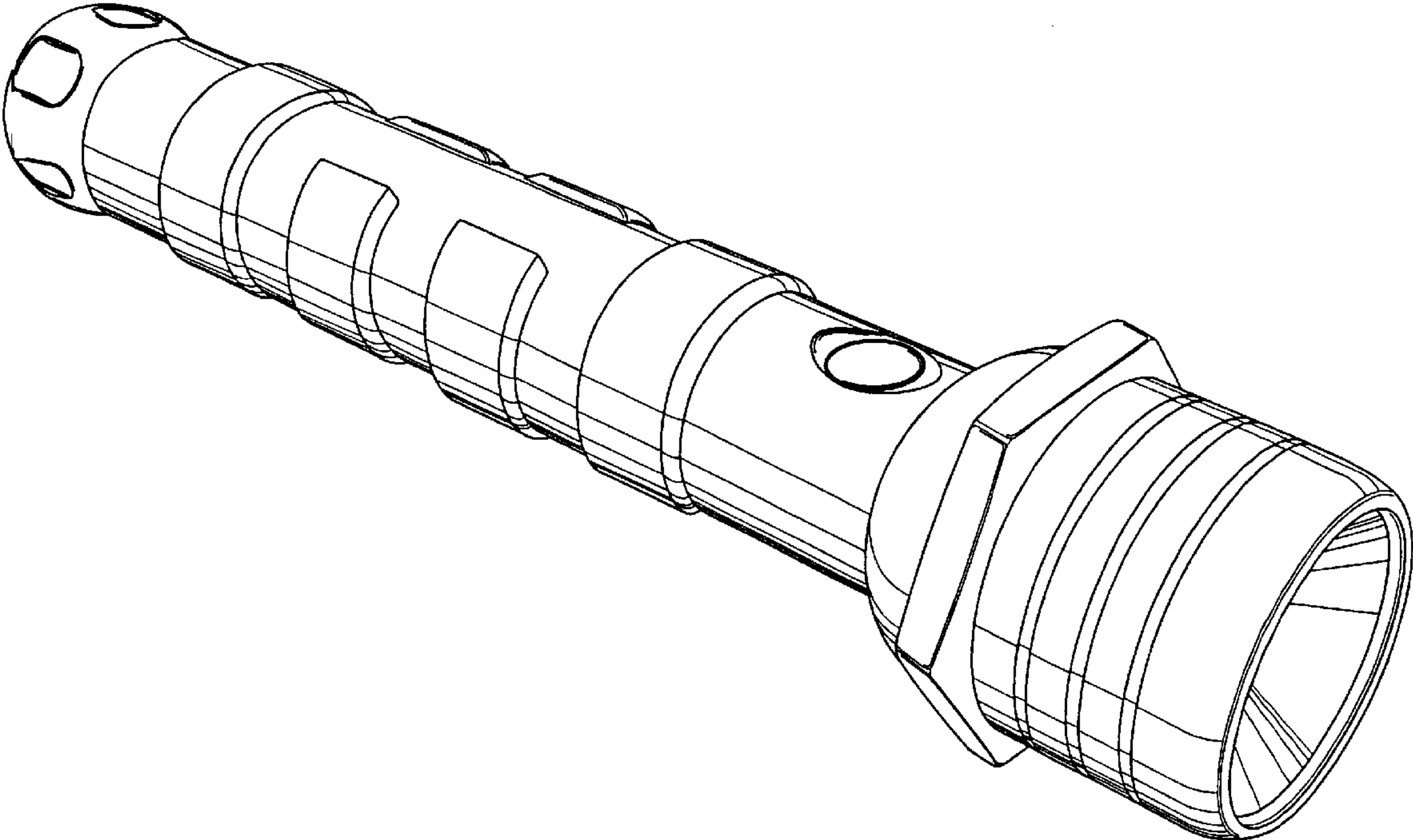


FIG. 7