

US00D521669S

(12) **United States Design Patent**
Krieger et al.

(10) **Patent No.: US D521,669 S**

(45) **Date of Patent: ** May 23, 2006**

(54) **INDOOR/OUTDOOR RECHARGEABLE LAMP**

D505,216 S * 5/2005 Chen D26/40

* cited by examiner

(75) Inventors: **Michael Krieger**, Miami Beach, FL (US); **Kevin Ellsworth**, Hollywood, FL (US)

Primary Examiner—Marcus A. Jackson
(74) *Attorney, Agent, or Firm*—Venable LLP; Robert King; Manni Li

(73) Assignee: **Vector Products, Inc.**, Ft. Lauderdale, FL (US)

(57) **CLAIM**

(**) Term: **14 Years**

The ornamental design for an indoor/outdoor rechargeable lamp, as shown and described.

(21) Appl. No.: **29/225,040**

DESCRIPTION

(22) Filed: **Mar. 11, 2005**

FIG. 1 is a perspective view from the front-top-left side of the indoor/outdoor rechargeable lamp showing our new design;

(51) **LOC (8) Cl.** **26-02**

(52) **U.S. Cl.** **D26/40; D26/67**

(58) **Field of Classification Search** D26/37–50, D26/67; 362/157, 158, 171–174, 183–208

FIG. 2 is a front view of the design shown in FIG. 1;

FIG. 3 is a rear view of the design shown in FIG. 1;

FIG. 4 is a left side view of the design shown in FIG. 1;

FIG. 5 is a right side view of the design shown in FIG. 1;

FIG. 6 is a top view of the design shown in FIG. 1; and,

FIG. 7 is a bottom view of the design shown in FIG. 1.

See application file for complete search history.

The broken lines immediately adjacent the shaded areas represent the bounds of the claimed design while all other broken lines are for illustrative purposes only; the broken lines form no part of the claimed design.

(56) **References Cited**

U.S. PATENT DOCUMENTS

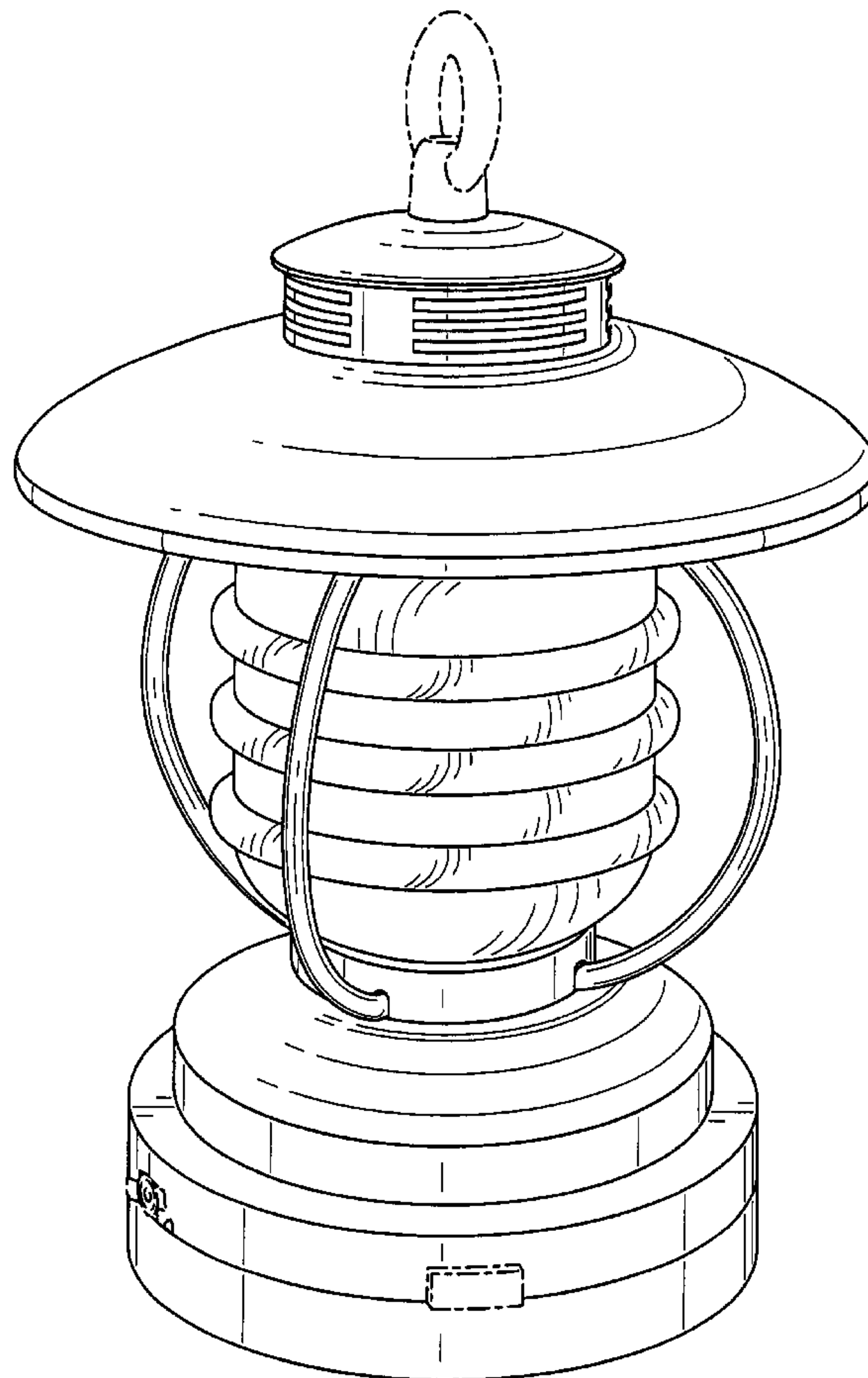
D424,726 S * 5/2000 Petterson et al. D26/40

D429,354 S * 8/2000 Petterson D26/40

D483,507 S 12/2003 Krieger et al. D26/40

D491,302 S * 6/2004 Krieger et al. D26/40

1 Claim, 7 Drawing Sheets



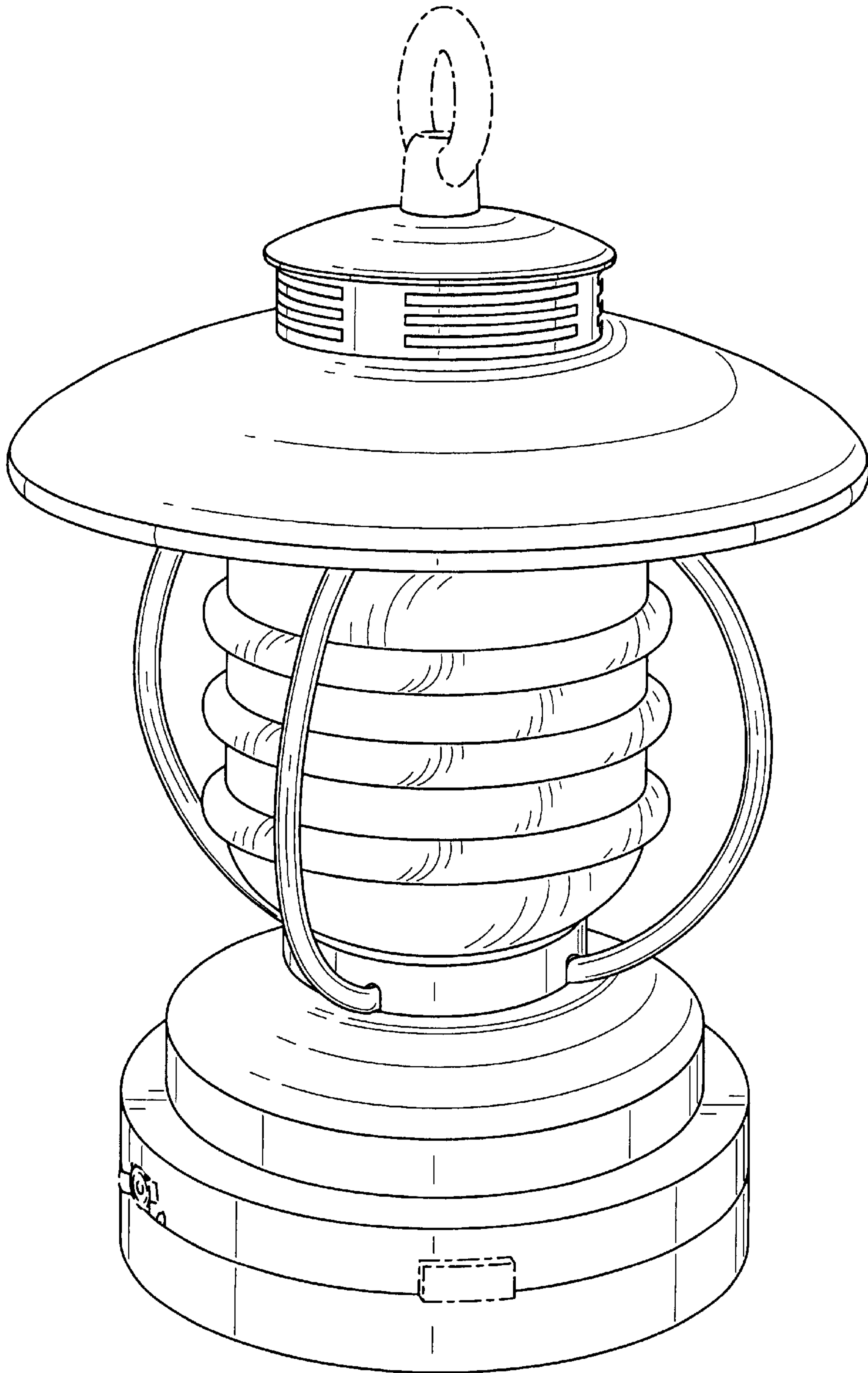


FIG. 1

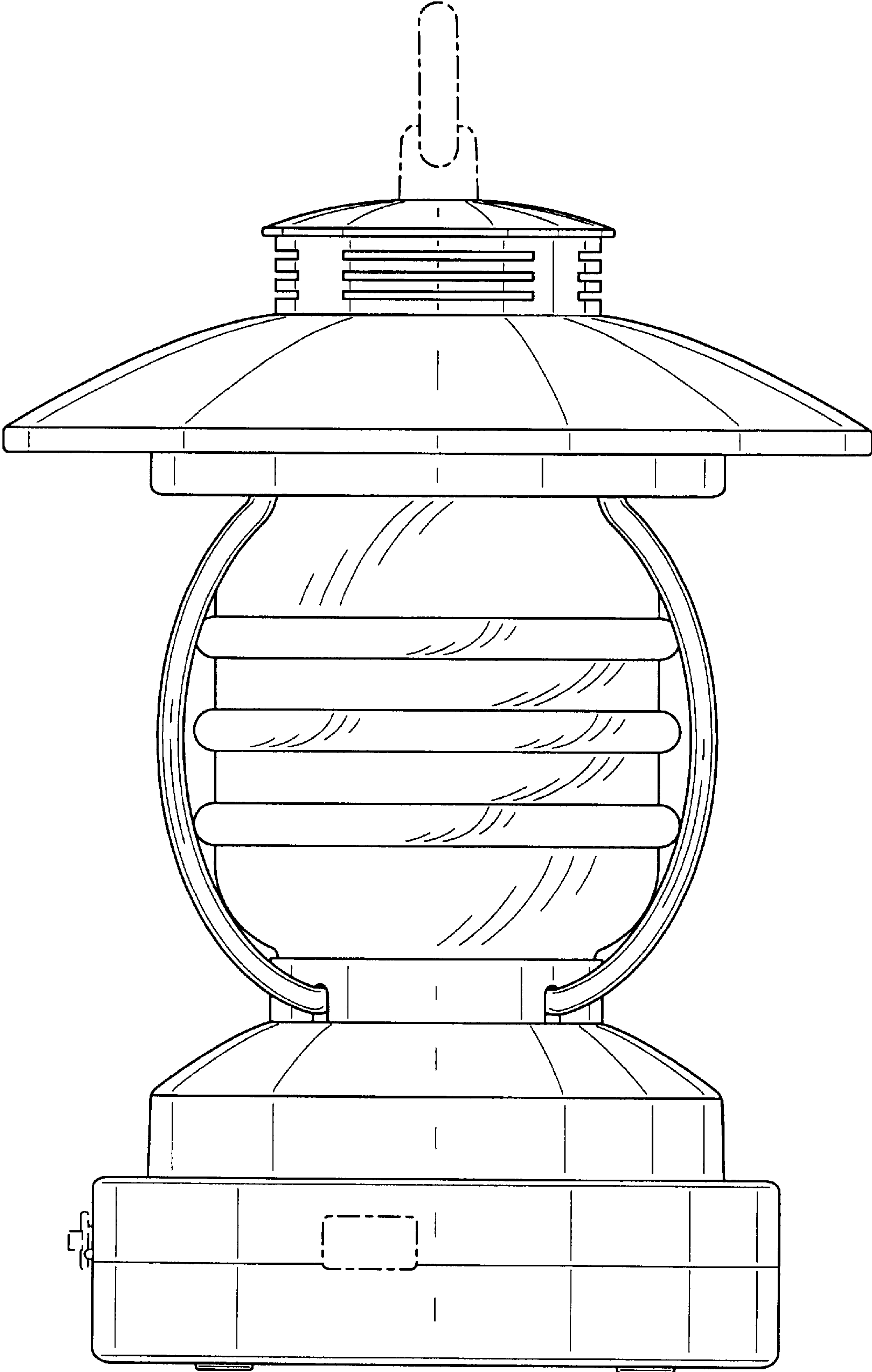


FIG. 2

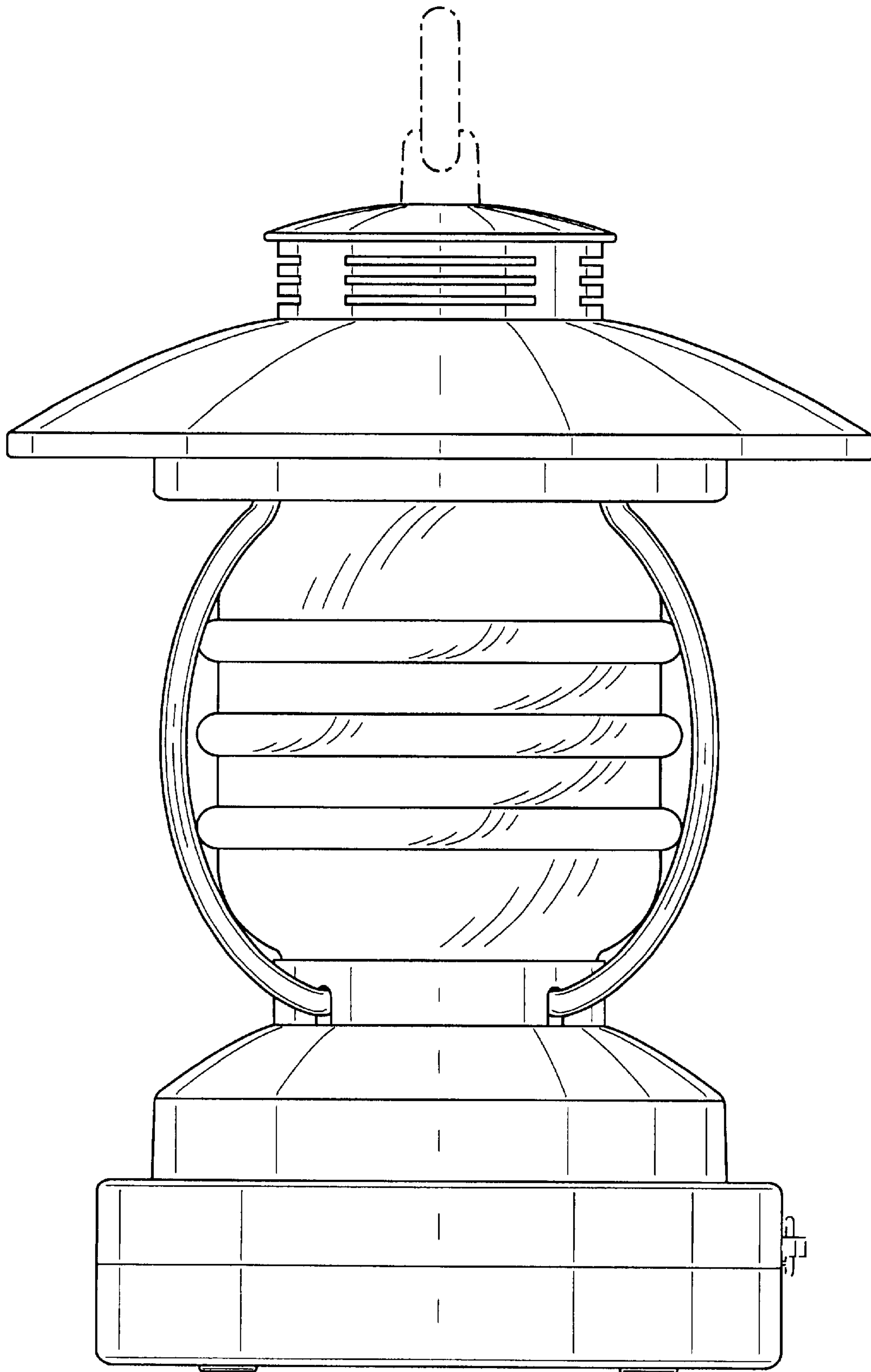


FIG. 3

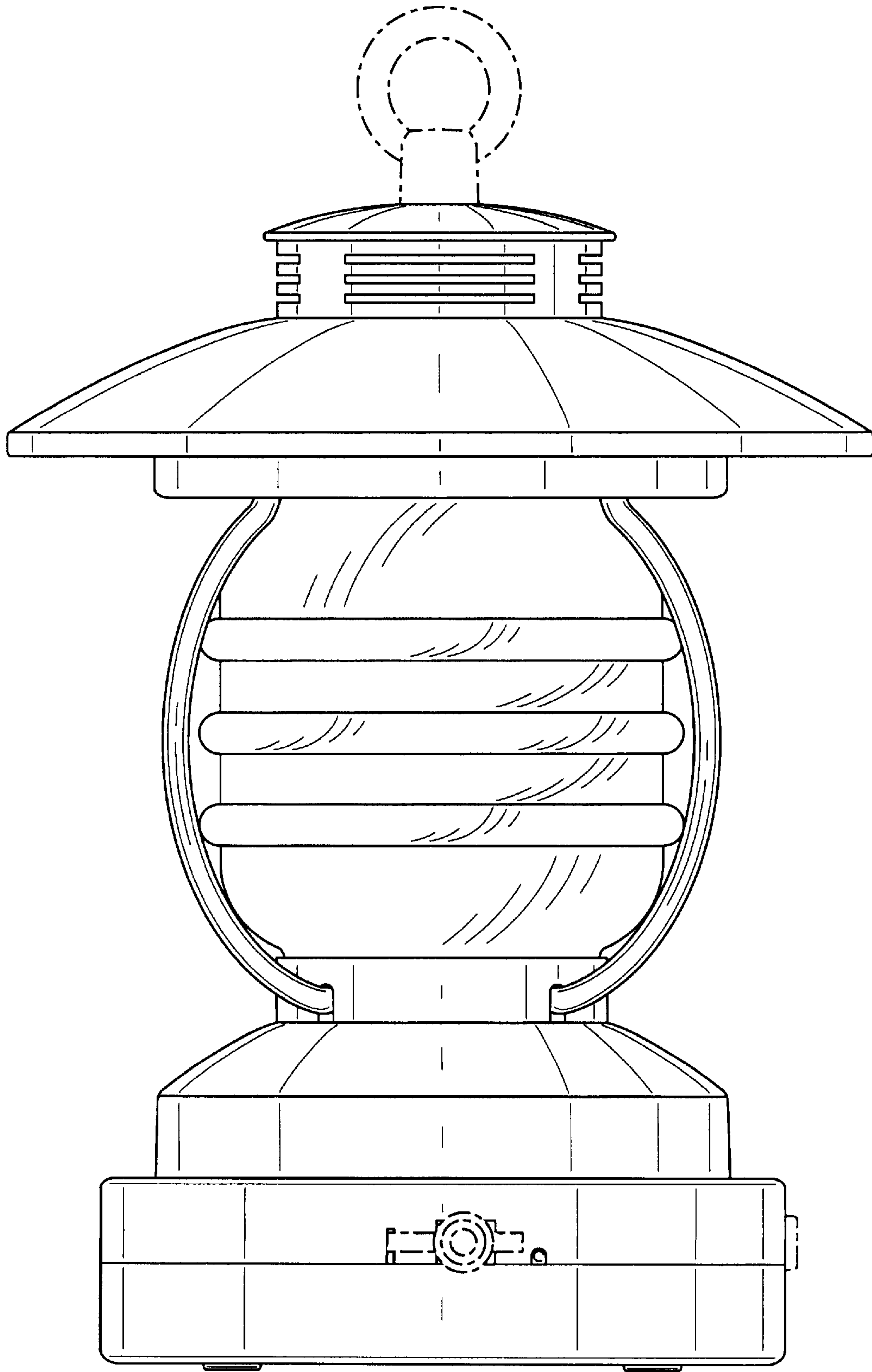


FIG. 4

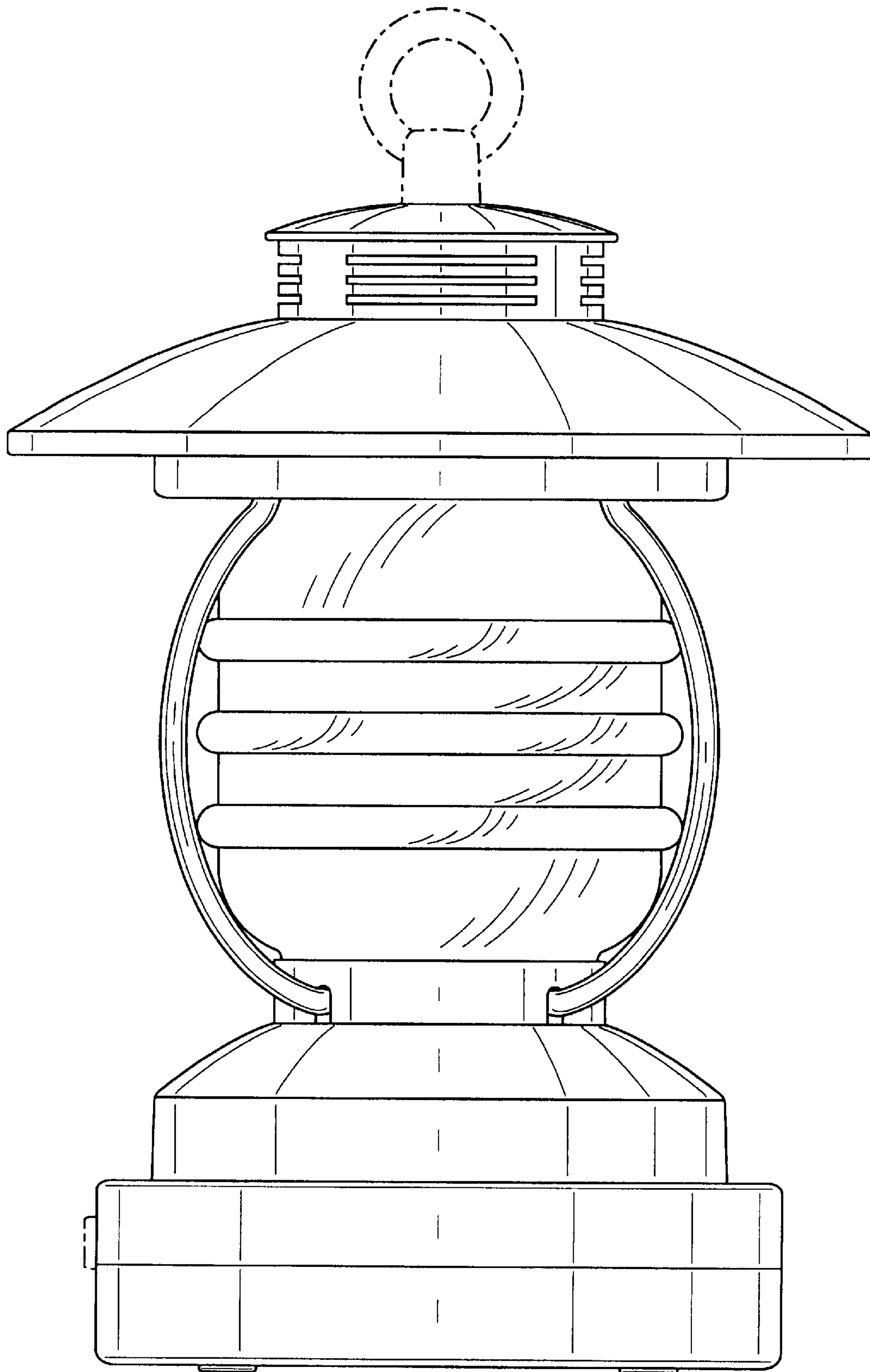


FIG. 5

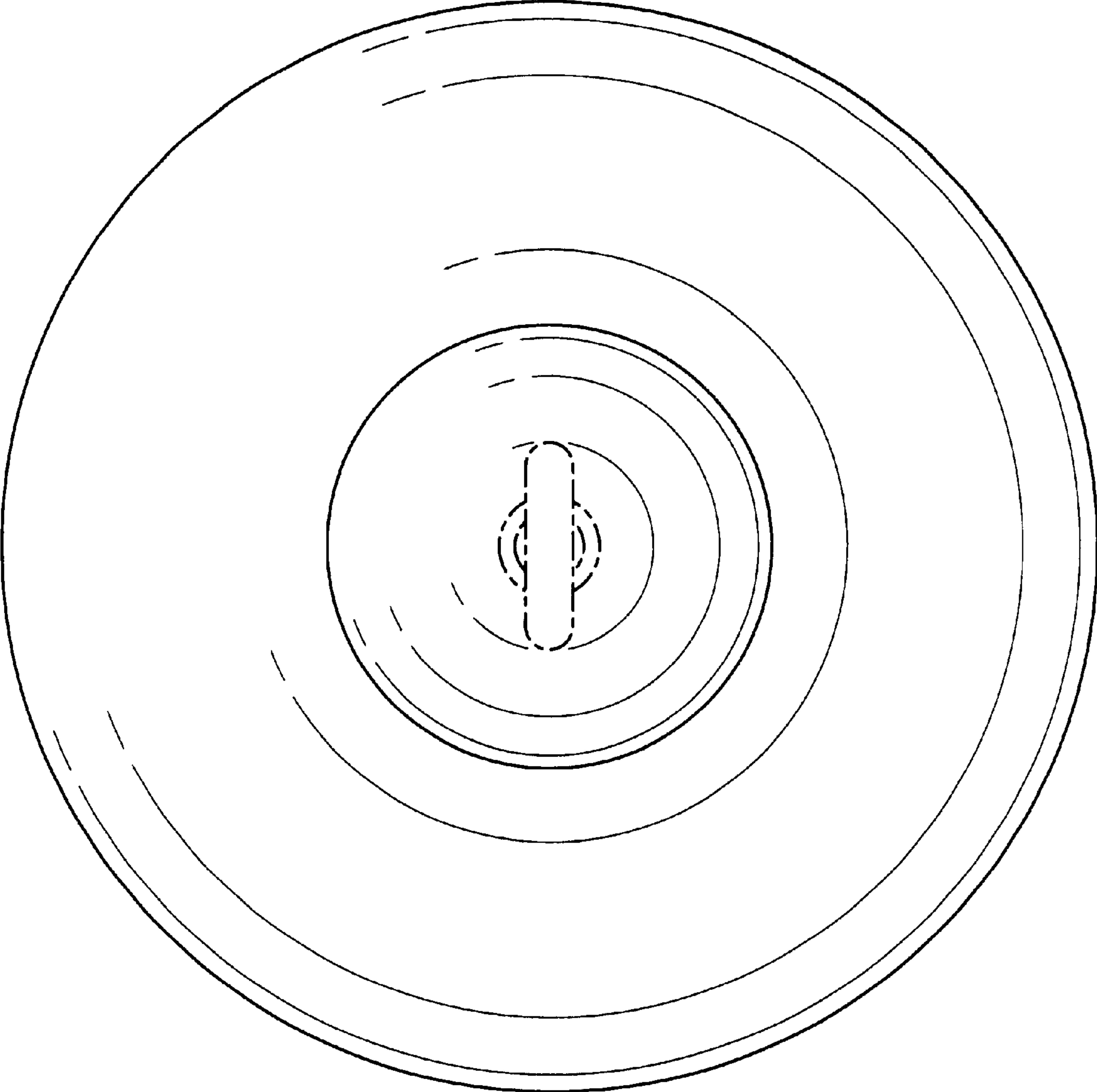


FIG. 6

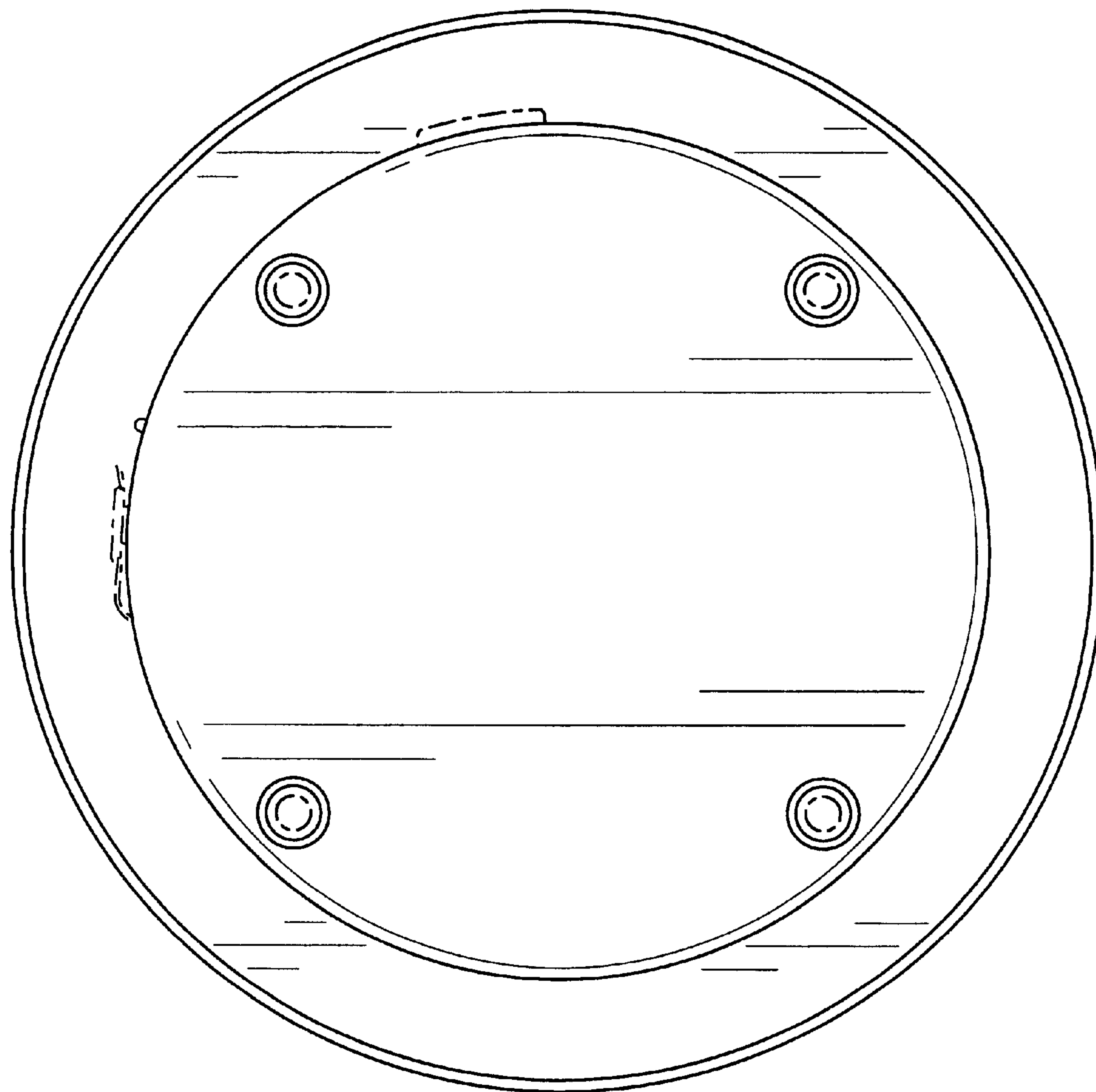


FIG. 7