



US00D521667S

(12) **United States Design Patent**  
**Chean**

(10) **Patent No.:** **US D521,667 S**

(45) **Date of Patent:** **\*\* May 23, 2006**

(54) **PORTABLE LIGHT EMITTING DIODE  
FLASHLIGHT**

D501,055 S \* 1/2005 Packard ..... D26/37  
D504,529 S \* 4/2005 Vickers et al. .... D26/37  
D505,506 S \* 5/2005 Kolflat ..... D26/37

(75) Inventor: **Leo Wong Sung Chean**, Singapore  
(SG)

\* cited by examiner

(73) Assignee: **Light 10 Pte., Ltd.**, Singapore (SG)

*Primary Examiner*—Marcus A. Jackson

(74) *Attorney, Agent, or Firm*—Arent Fox PLLC

(\*\*) Term: **14 Years**

(57) **CLAIM**

(21) Appl. No.: **29/228,353**

The ornamental design for an portable light emitting diode flashlight, as shown.

(22) Filed: **Apr. 22, 2005**

**DESCRIPTION**

(51) **LOC (8) Cl.** ..... **26-02**

(52) **U.S. Cl.** ..... **D26/37**

(58) **Field of Classification Search** ..... D26/37-50;  
362/157, 158, 171-174, 183-208  
See application file for complete search history.

FIG. 1 is a perspective view of the embodiment of my invention;

FIG. 2 is a front view thereof;

FIG. 3 is a right view thereof;

FIG. 4 is a left view thereof;

FIG. 5a is a top view thereof; and,

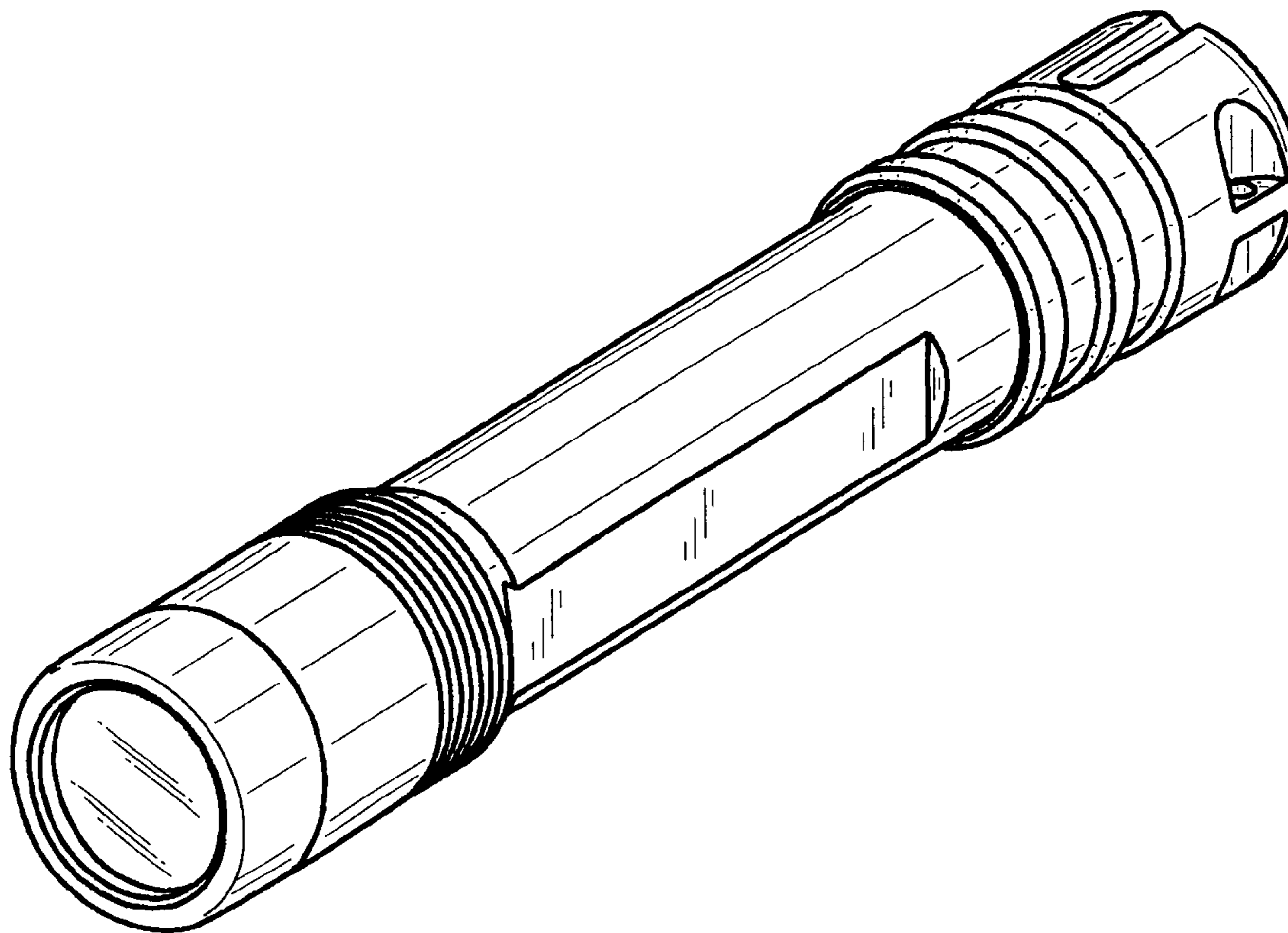
FIG. 5b is a bottom view thereof.

(56) **References Cited**

**U.S. PATENT DOCUMENTS**

D497,445 S \* 10/2004 Chan ..... D26/37

**1 Claim, 5 Drawing Sheets**



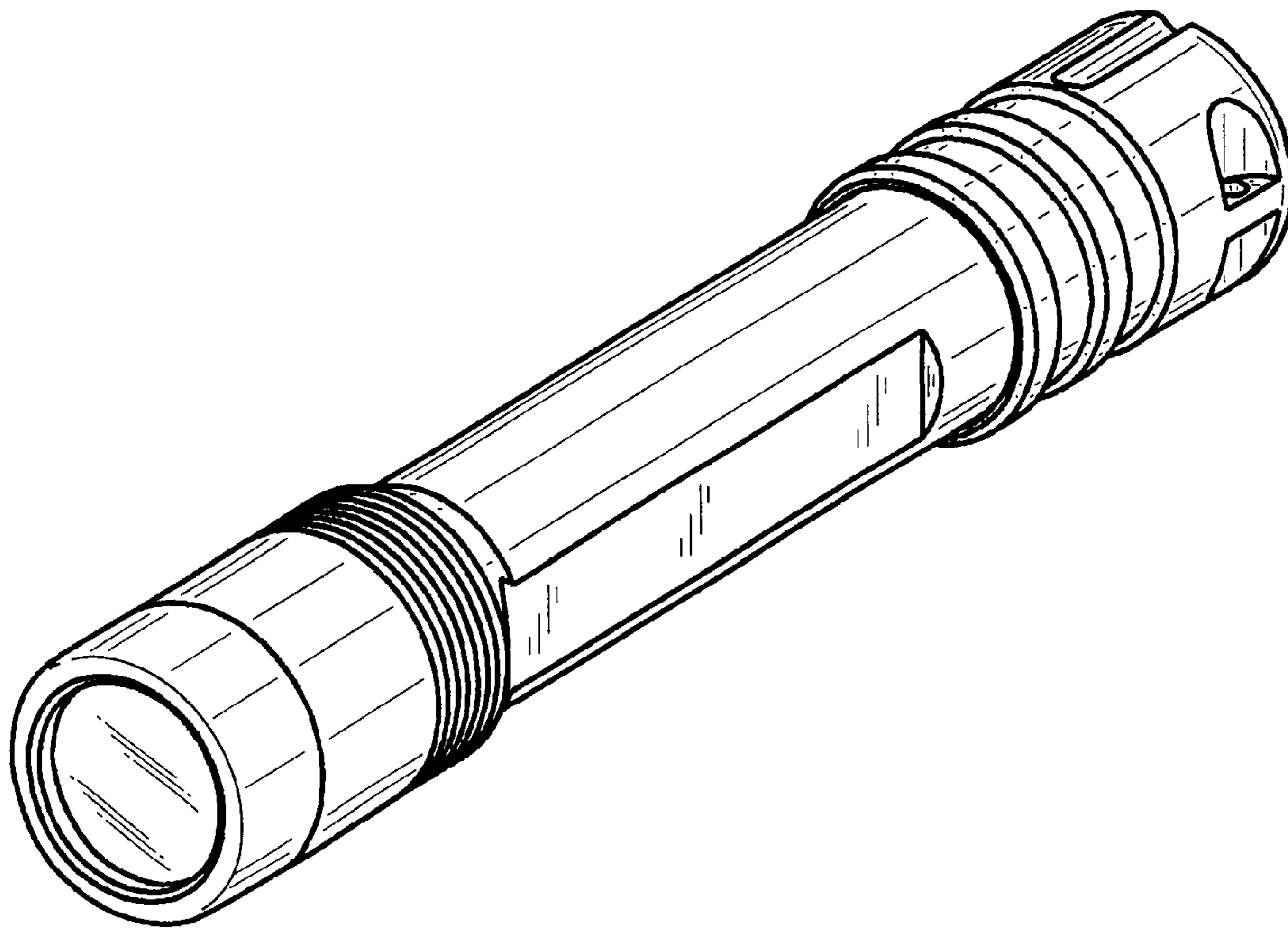


FIG.1

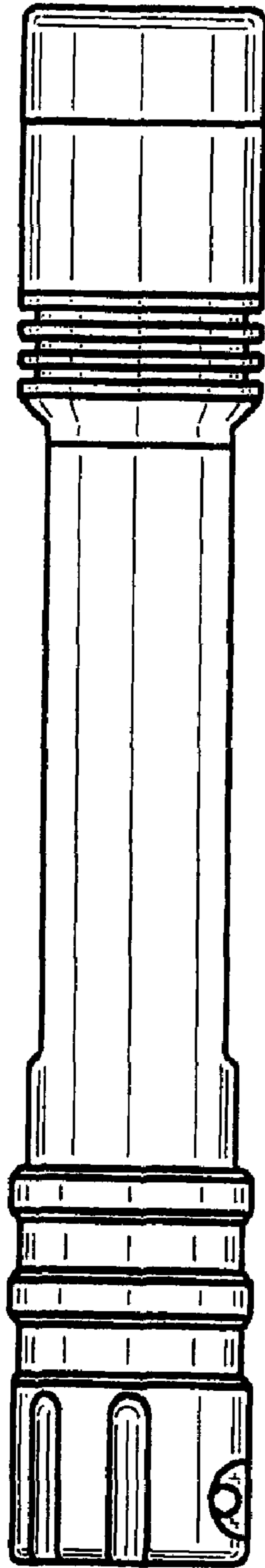


FIG. 2

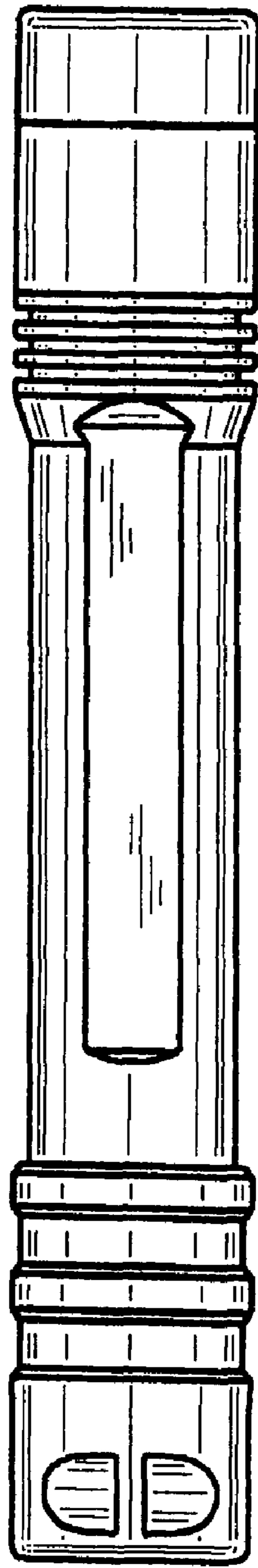


FIG. 3

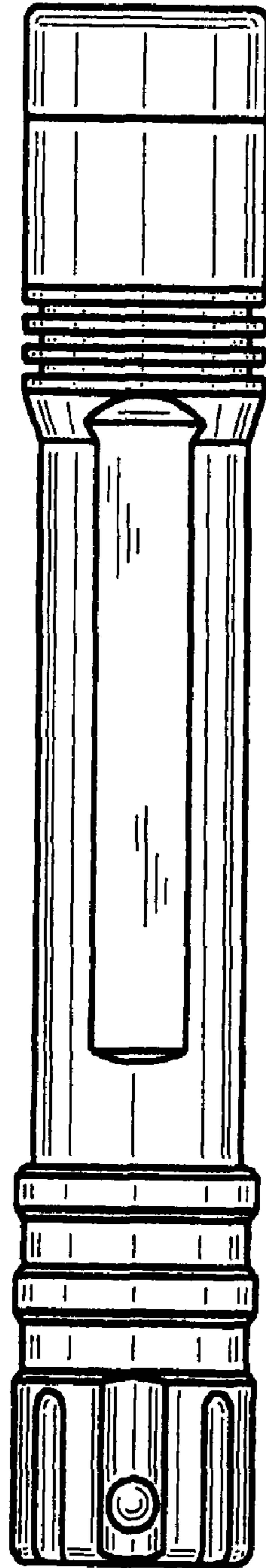


FIG. 4

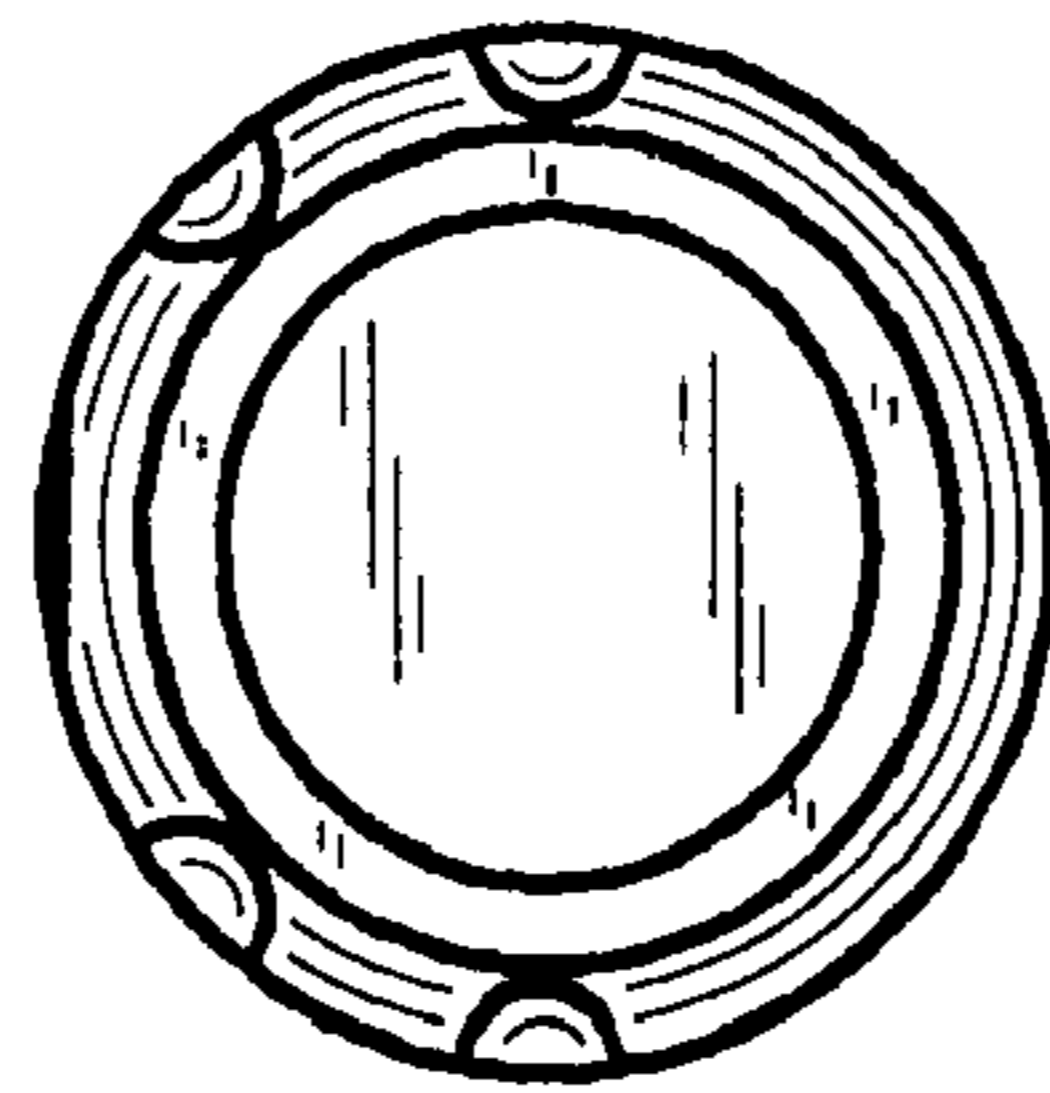


FIG. 5a

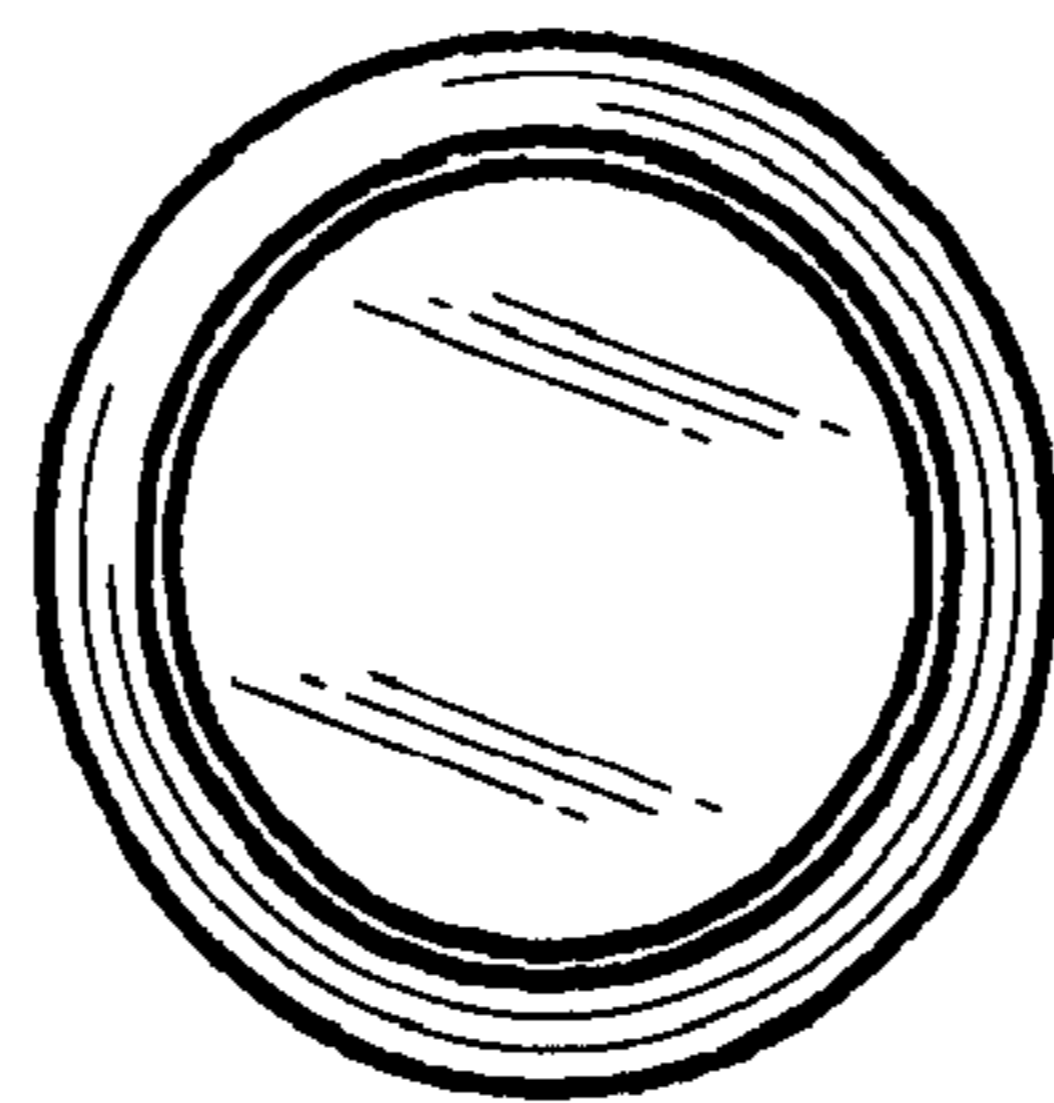


FIG. 5b