

US00D521666S

(12) **United States Design Patent**
Chean

(10) **Patent No.:** **US D521,666 S**

(45) **Date of Patent:** **** May 23, 2006**

(54) **PORTABLE LIGHT EMITTING DIODE
FLASHLIGHT**

(75) **Inventor:** **Leo Wong Sung Chean**, Singapore
(SG)

(73) **Assignee:** **Light 10 Pte. LTD** (SG)

(**) **Term:** **14 Years**

(21) **Appl. No.:** **29/228,352**

(22) **Filed:** **Apr. 22, 2005**

(30) **Foreign Application Priority Data**

Oct. 26, 2004 (SG) D2004/1850/H

(51) **LOC (8) Cl.** **26-02**

(52) **U.S. Cl.** **D26/37**

(58) **Field of Classification Search** D26/37-50;
362/157, 158, 171-174, 183-208

See application file for complete search history.

(56) **References Cited**

U.S. PATENT DOCUMENTS

D497,445 S * 10/2004 Chan D26/37
D501,055 S * 1/2005 Packard D26/37
D504,529 S * 4/2005 Vickers et al. D26/37

* cited by examiner

Primary Examiner—Marcus A. Jackson

(74) *Attorney, Agent, or Firm*—Arent Fox PLLC

(57) **CLAIM**

The ornamental design for a portable light emitting diode flashlight, as shown.

DESCRIPTION

FIG. 1 is a perspective view of the embodiment of my invention;

FIG. 2 is a front view thereof;

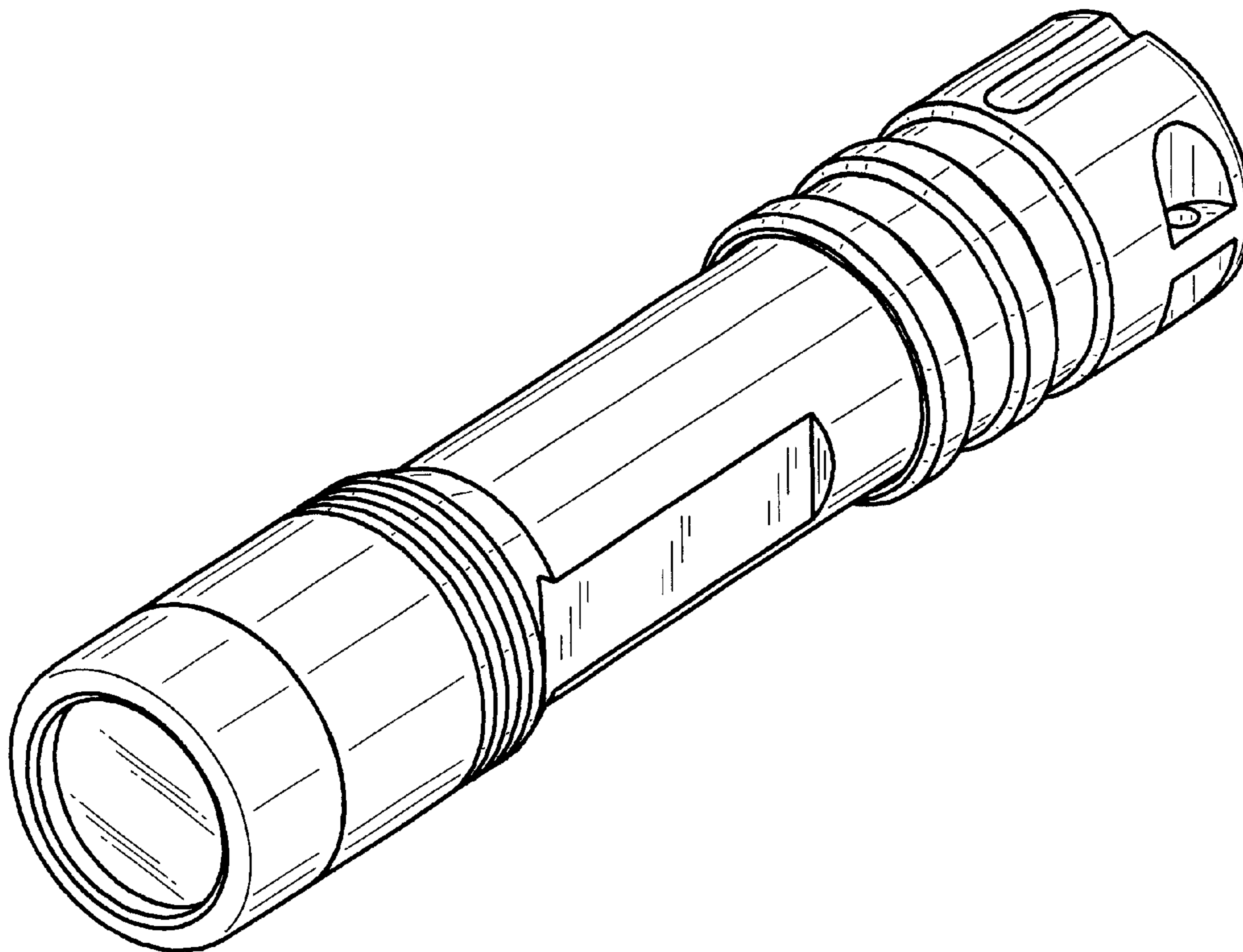
FIG. 3 is a right view thereof;

FIG. 4 is a left view thereof;

FIG. 5a is a top view thereof; and,

FIG. 5b is a bottom view thereof.

1 Claim, 5 Drawing Sheets



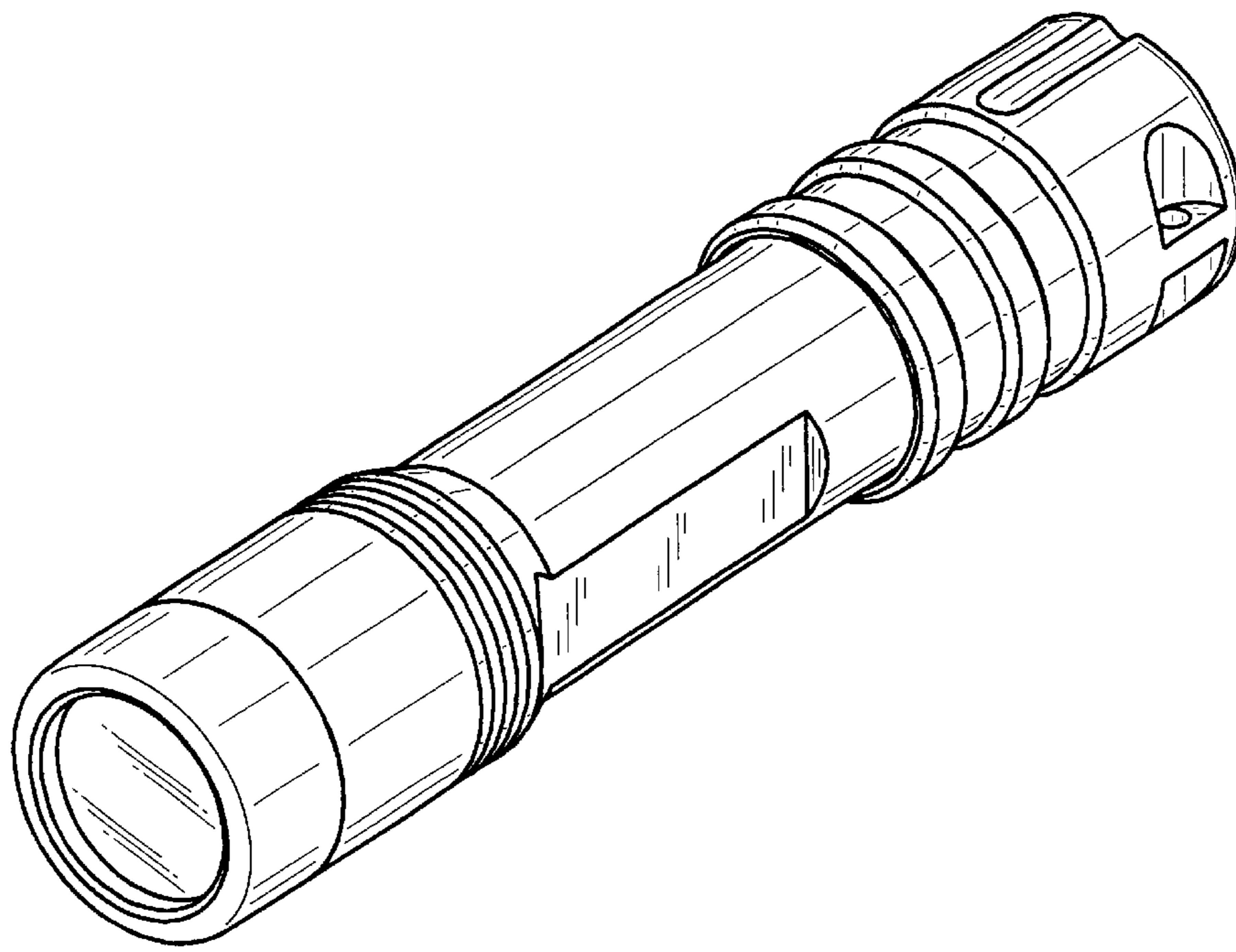


FIG. 1

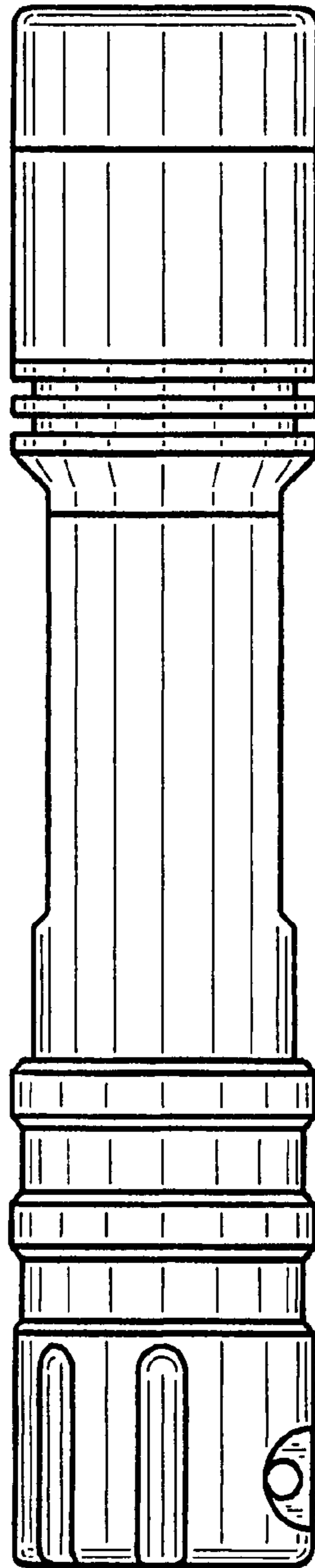


FIG.2

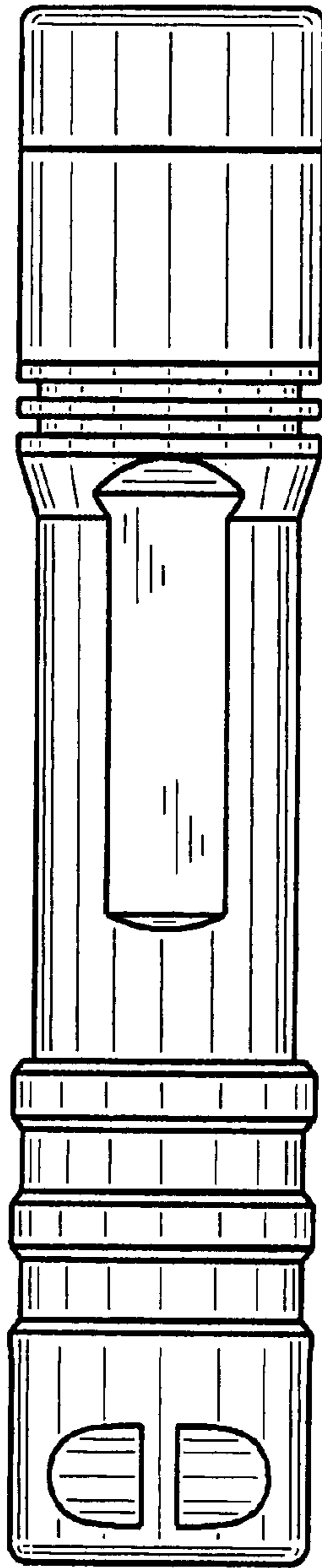


FIG.3

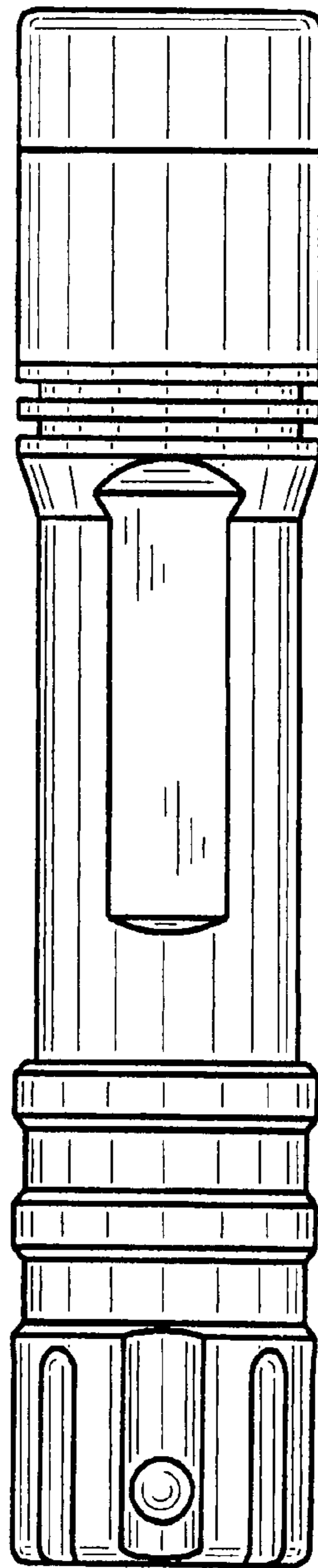


FIG.4

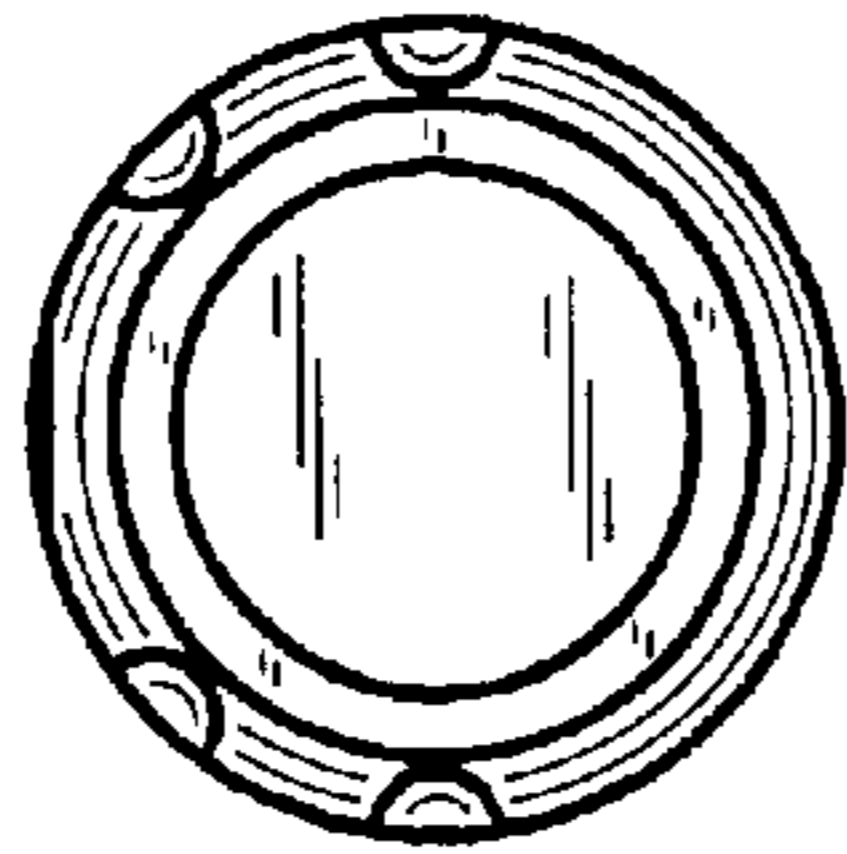


FIG. 5a

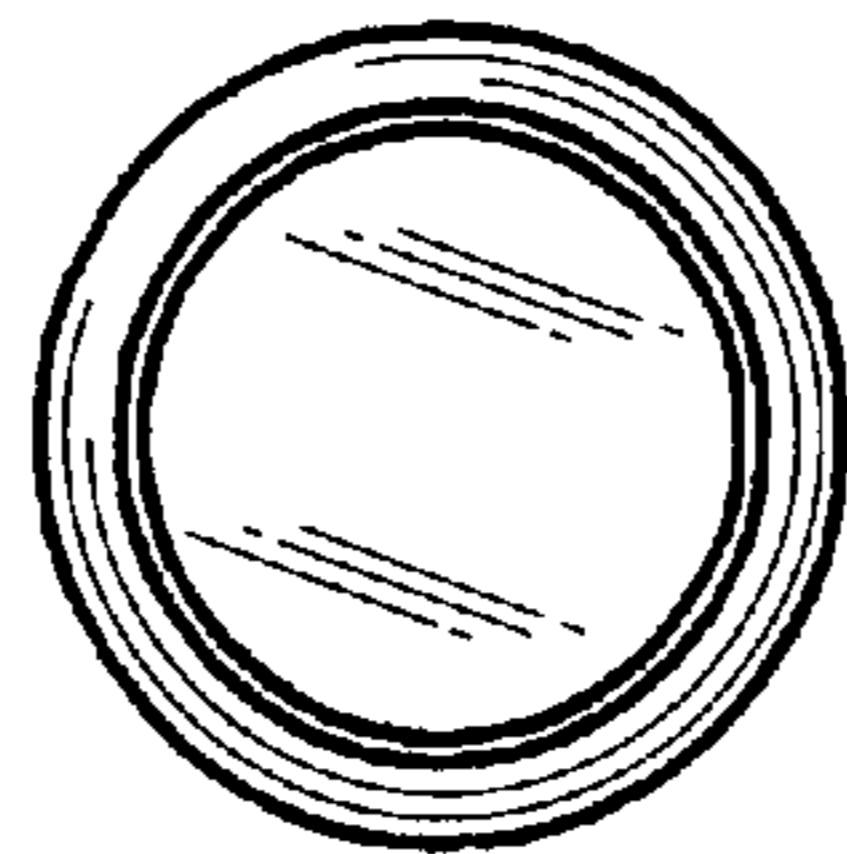


FIG. 5b