

US00D521659S

(12) **United States Design Patent**
Chen

(10) **Patent No.:** **US D521,659 S**

(45) **Date of Patent:** **** May 23, 2006**

(54) **DECORATION LAMP**

(75) Inventor: **W. T. Chen**, Hsinchu (TW)

(73) Assignee: **Willis Electric Co., Ltd.**, Hsinchu (TW)

(**) Term: **14 Years**

(21) Appl. No.: **29/201,107**

(22) Filed: **Mar. 10, 2004**

(51) **LOC (8) Cl.** **26-04**

(52) **U.S. Cl.** **D26/2**

(58) **Field of Classification Search** D26/1-4;
313/113, 116, 312-318, 484, 493, 619, 631,
313/632, 643

See application file for complete search history.

(56) **References Cited**

U.S. PATENT DOCUMENTS

D411,632 S * 6/1999 Lin D26/2
D422,098 S * 3/2000 Kumade D26/2
D436,675 S * 1/2001 Lin D26/2

D443,704 S * 6/2001 Lin D26/2
D456,913 S * 5/2002 Liu D26/2
D481,140 S * 10/2003 Chang D26/2

* cited by examiner

Primary Examiner—Marcus A. Jackson

(74) *Attorney, Agent, or Firm*—McGlew & Tuttle, P.C.

(57) **CLAIM**

The ornamental design for a decoration lamp, as shown and described.

DESCRIPTION

FIG. 1 is the front perspective view of a decoration lamp showing my new design (please be informed that the rear perspective view is the same as the front perspective view of the new design);

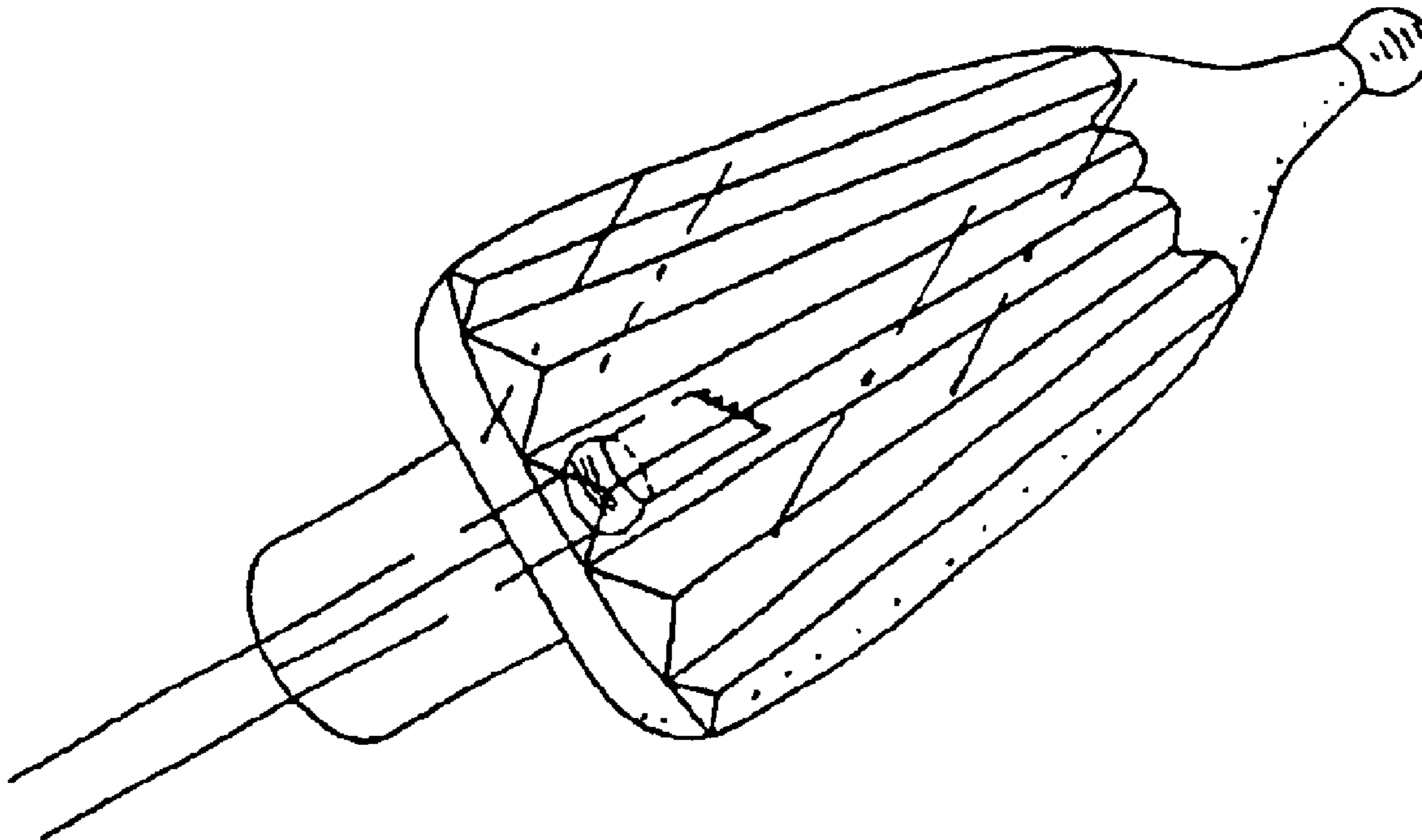
FIG. 2 is the left perspective view thereof (please be informed that the right perspective is the same as the left perspective);

FIG. 3 is the top elevational view thereof;

FIG. 4 is the bottom elevational view thereof; and,

FIG. 5 is the three-dimensional view thereof.

1 Claim, 4 Drawing Sheets



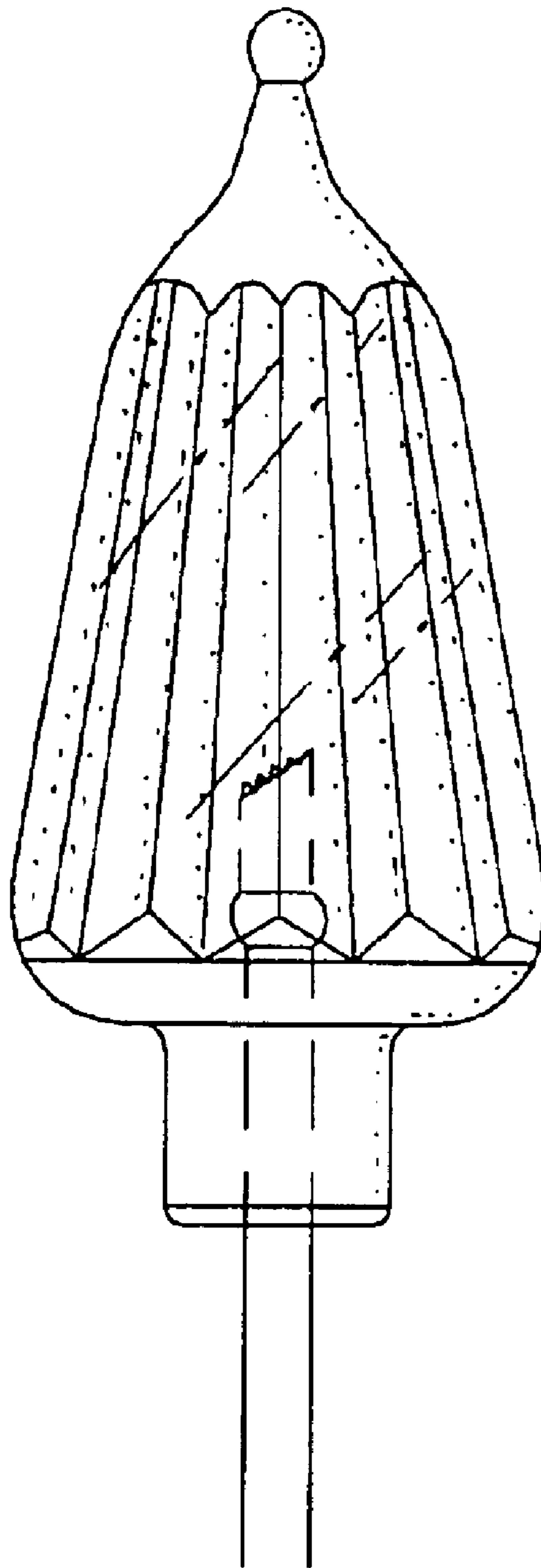


FIG. 1

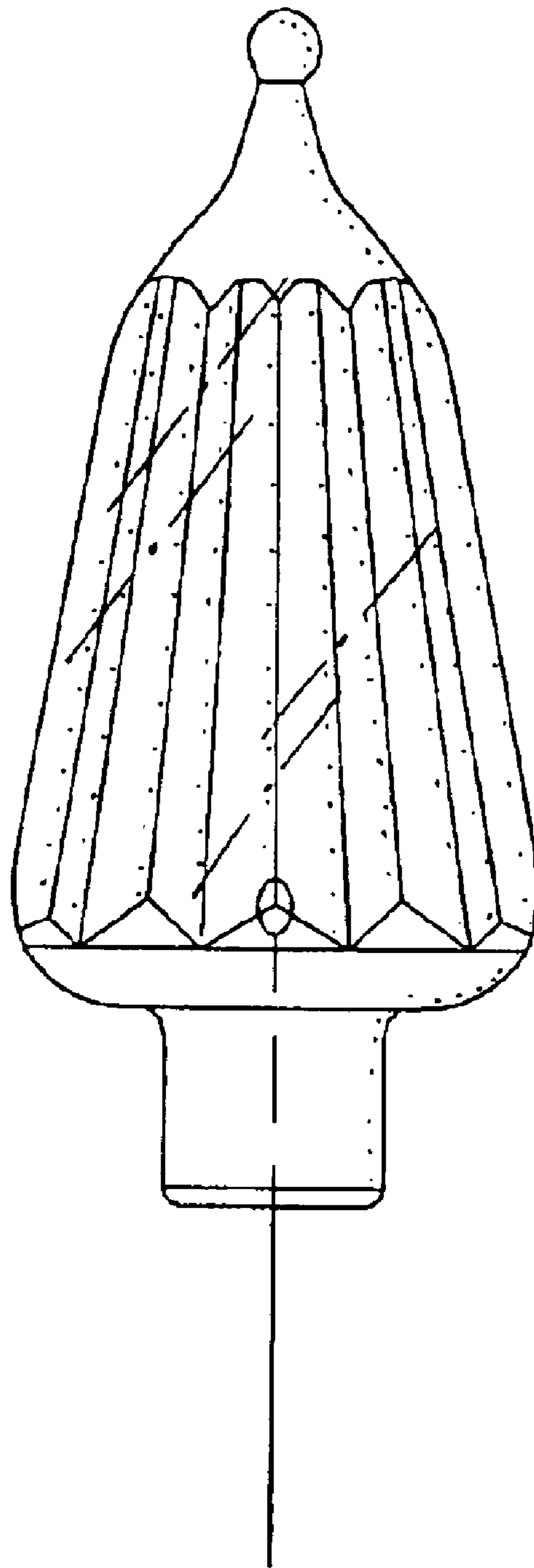


FIG. 2

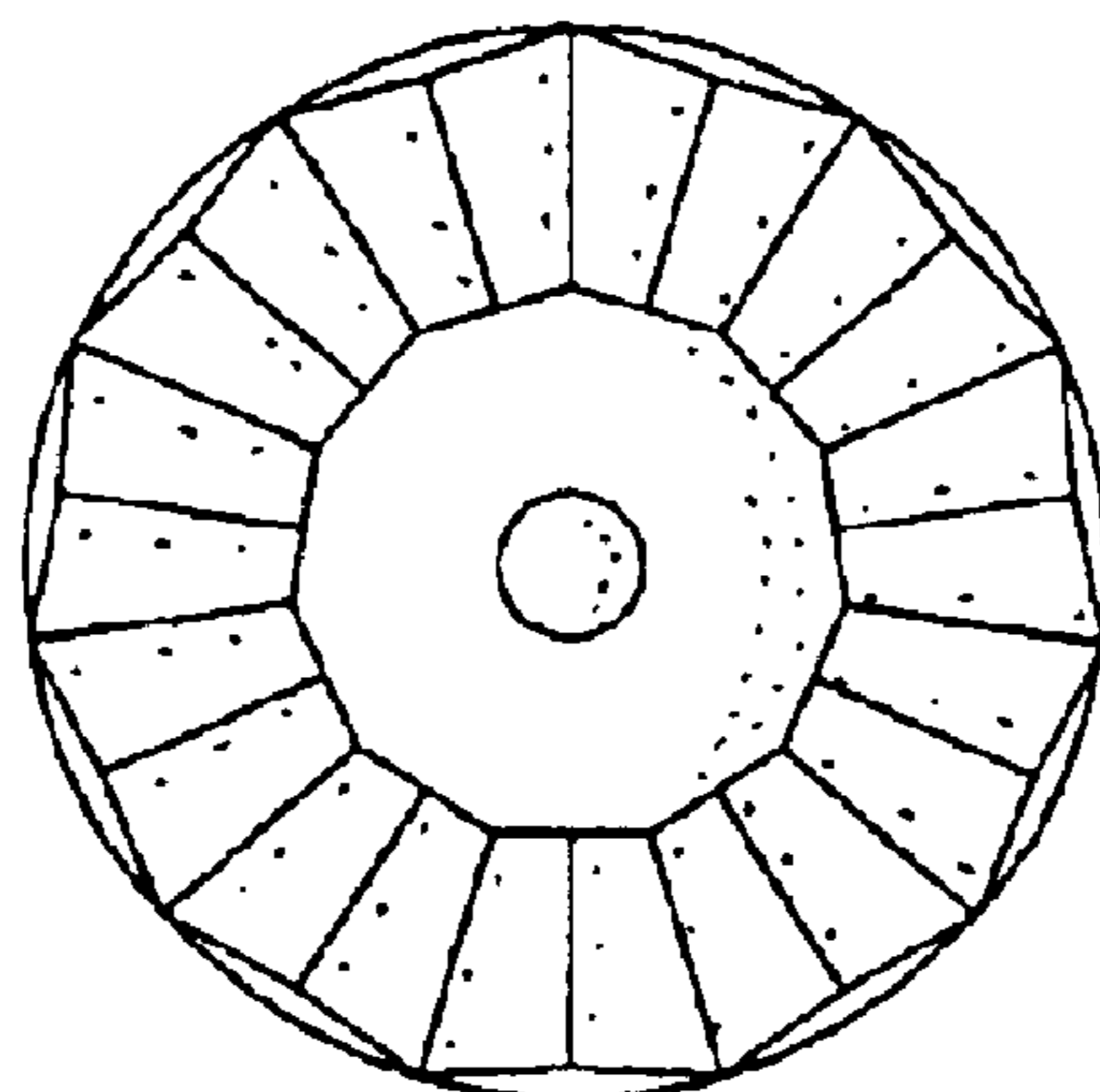


FIG. 3

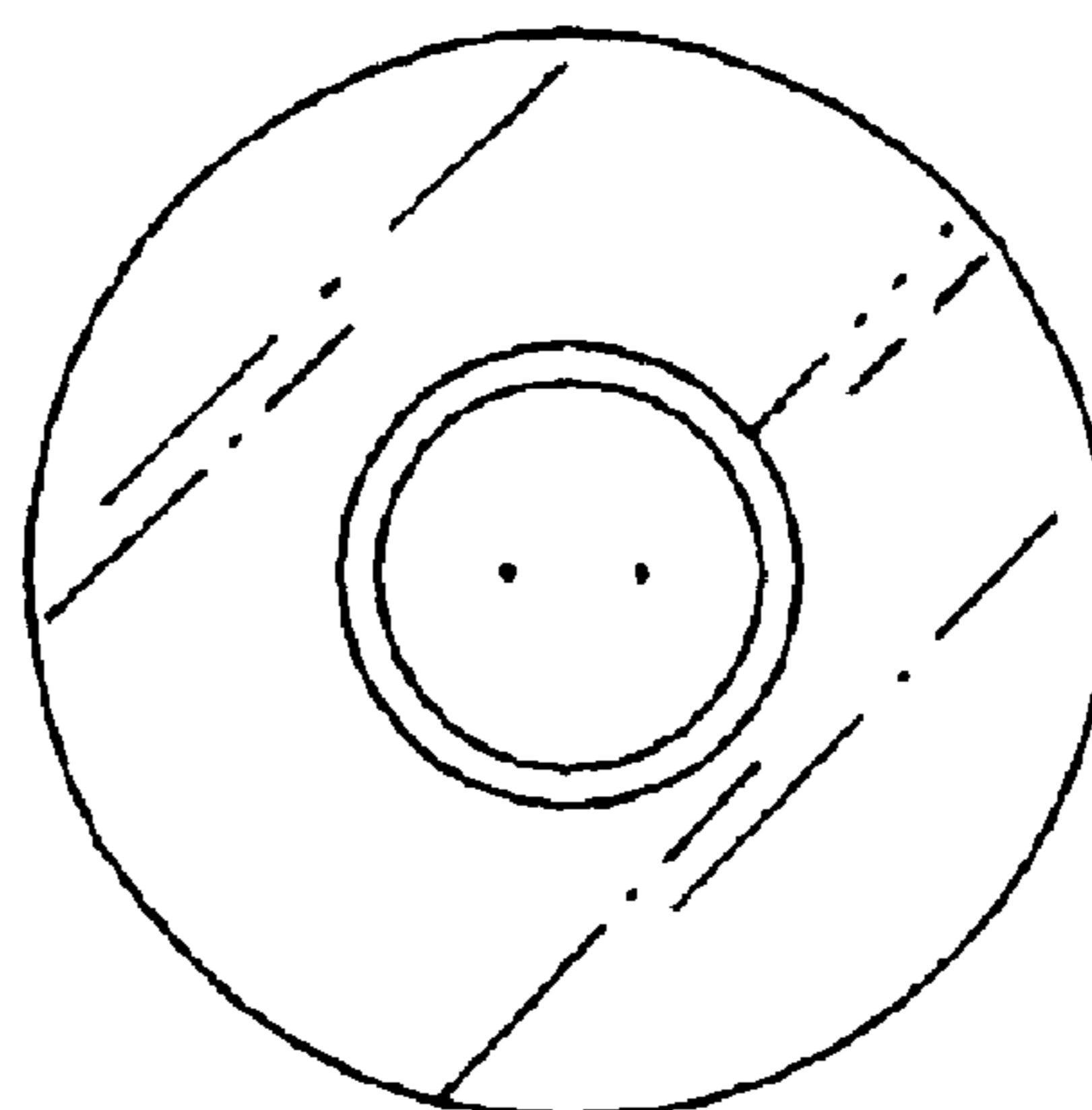


FIG. 4

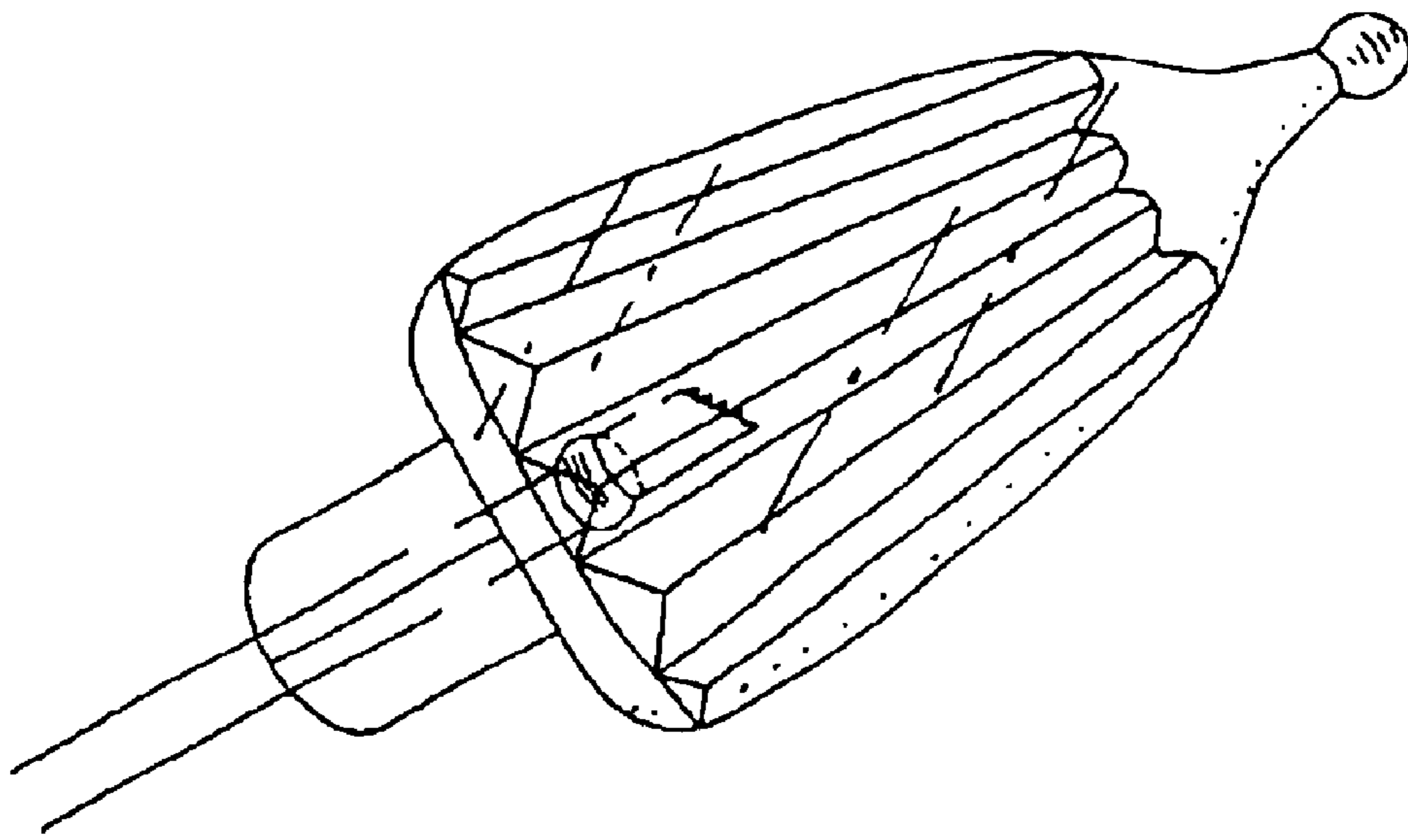


FIG. 5