



US00D521646S

(12) **United States Design Patent**  
**Mann**

(10) **Patent No.:** **US D521,646 S**

(45) **Date of Patent:** **\*\* May 23, 2006**

(54) **PACIFIER**

(76) **Inventor:** **Michael A. Mann**, 1524 Westminster Dr., Columbia, SC (US) 29204

(\*\*) **Term:** **14 Years**

(21) **Appl. No.:** **29/208,759**

(22) **Filed:** **Jul. 2, 2004**

(51) **LOC (8) Cl.** ..... **24-04**

(52) **U.S. Cl.** ..... **D24/195**

(58) **Field of Classification Search** ..... D24/195,  
D24/194, 193; 606/234–236

See application file for complete search history.

(56) **References Cited**

**U.S. PATENT DOCUMENTS**

D269,461 S	*	6/1983	Qually	.....	D24/195
D331,628 S	*	12/1992	Dodson et al.	.....	D24/195
5,318,590 A	*	6/1994	Brennan et al.	.....	606/234
D415,568 S	*	10/1999	Bernd	.....	D24/195

**OTHER PUBLICATIONS**

Copy of webpage Billy–Bob All I Want for Christmas is My “Two Front Teeth” Pacifier from <http://baby9iiftusa.com/bbt-90.html?source=overture&OVRAW=pacifier%20buck&...> dated Aug. 14, 2004.

Copy of webpage Billy Bob Pacifiers, Dummies, Schnullers, and Chupetes from <http://billybobpacifierteeth.com/> dated Aug. 14, 2004.

Copy of Webpage REDINSTEAD from [http://www.redinstead.com.au/product\\_info.php?products\\_id-269](http://www.redinstead.com.au/product_info.php?products_id-269) from Jul. 1, 2004.

\* cited by examiner

*Primary Examiner*—Ian Simmons

*Assistant Examiner*—Daniel Yu

(74) *Attorney, Agent, or Firm*—Michael A. Mann; Nexsen Pruet, LLC

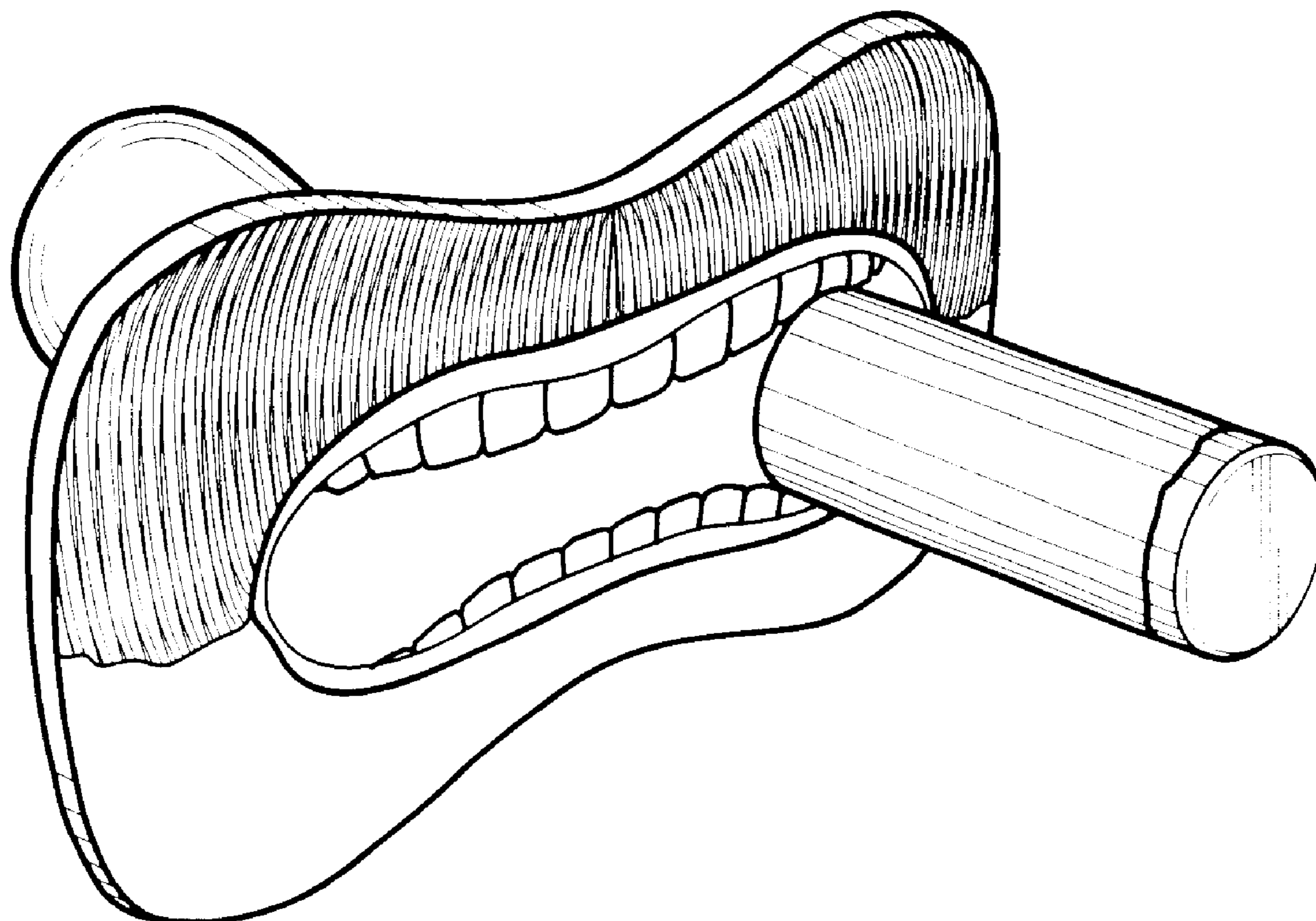
(57) **CLAIM**

I claim the ornamental design for a pacifier, as shown and described.

**DESCRIPTION**

FIG. 1 is a perspective view thereof;  
FIG. 2 of a front view thereof;  
FIG. 3 is a right side view thereof;  
FIG. 4 is a left side view thereof;  
FIG. 5 is a top view thereof;  
FIG. 6 is a bottom view thereof; and,  
FIG. 7 is a rear view thereof.

**1 Claim, 3 Drawing Sheets**



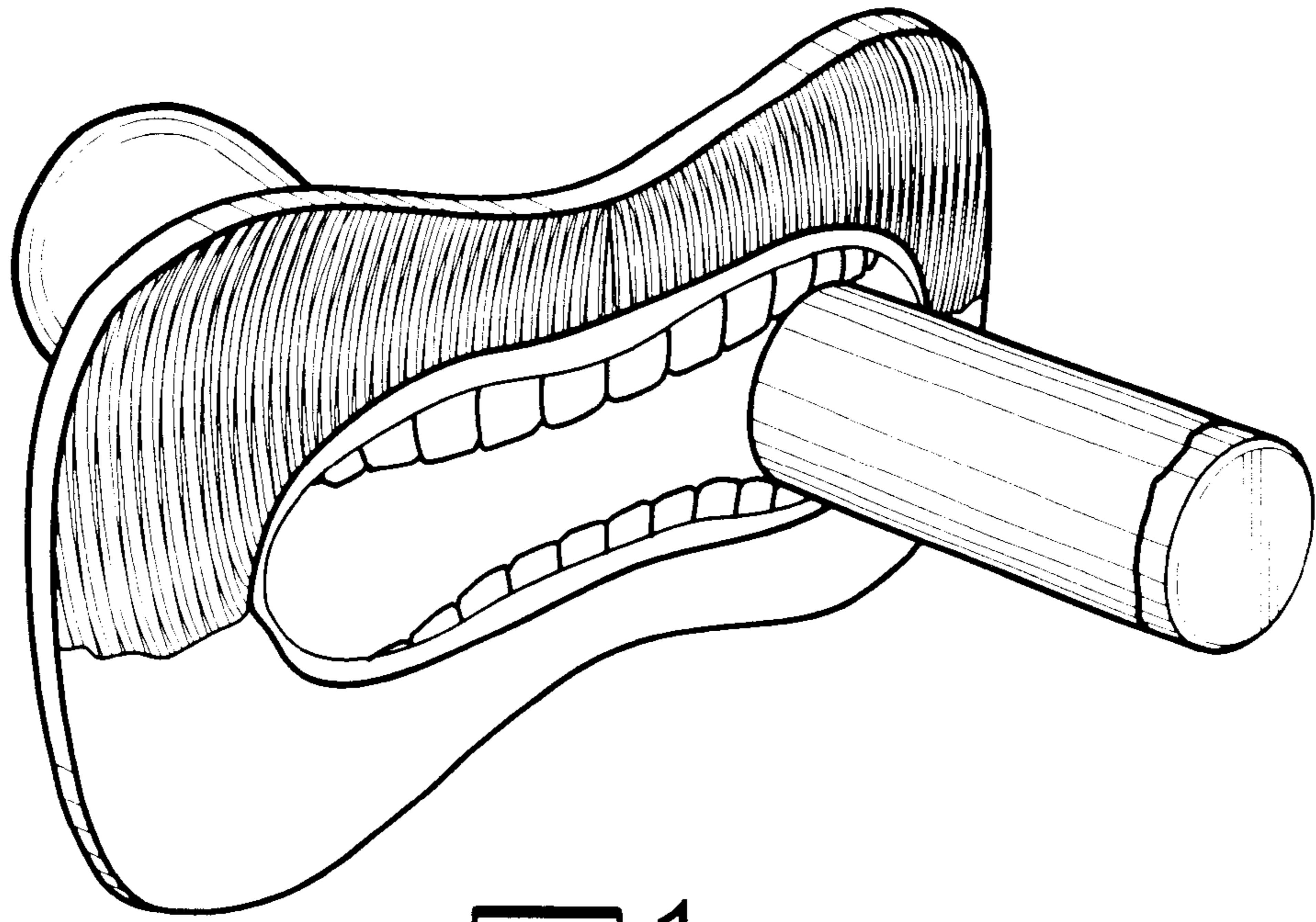


Fig. 1

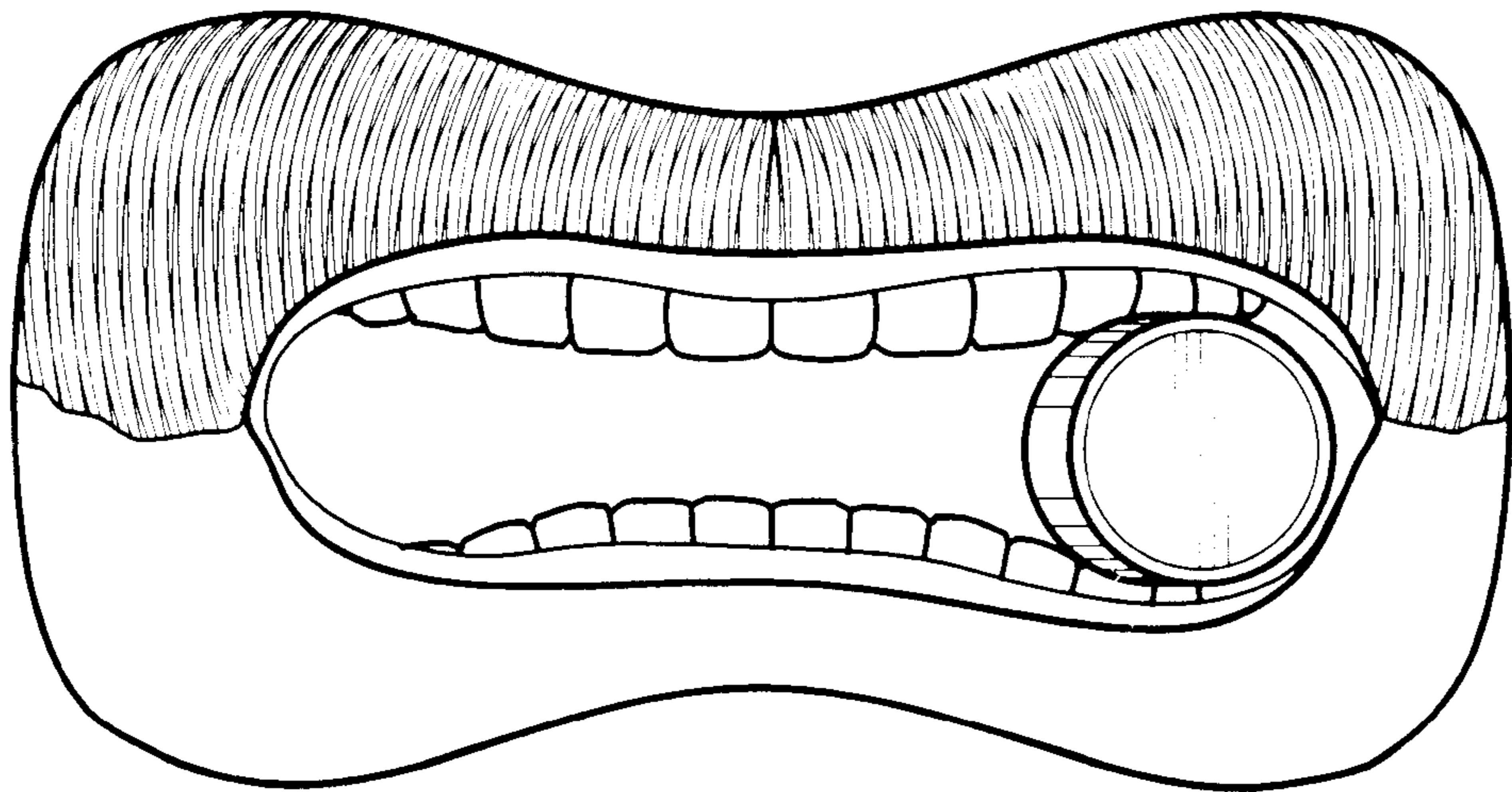


Fig. 2

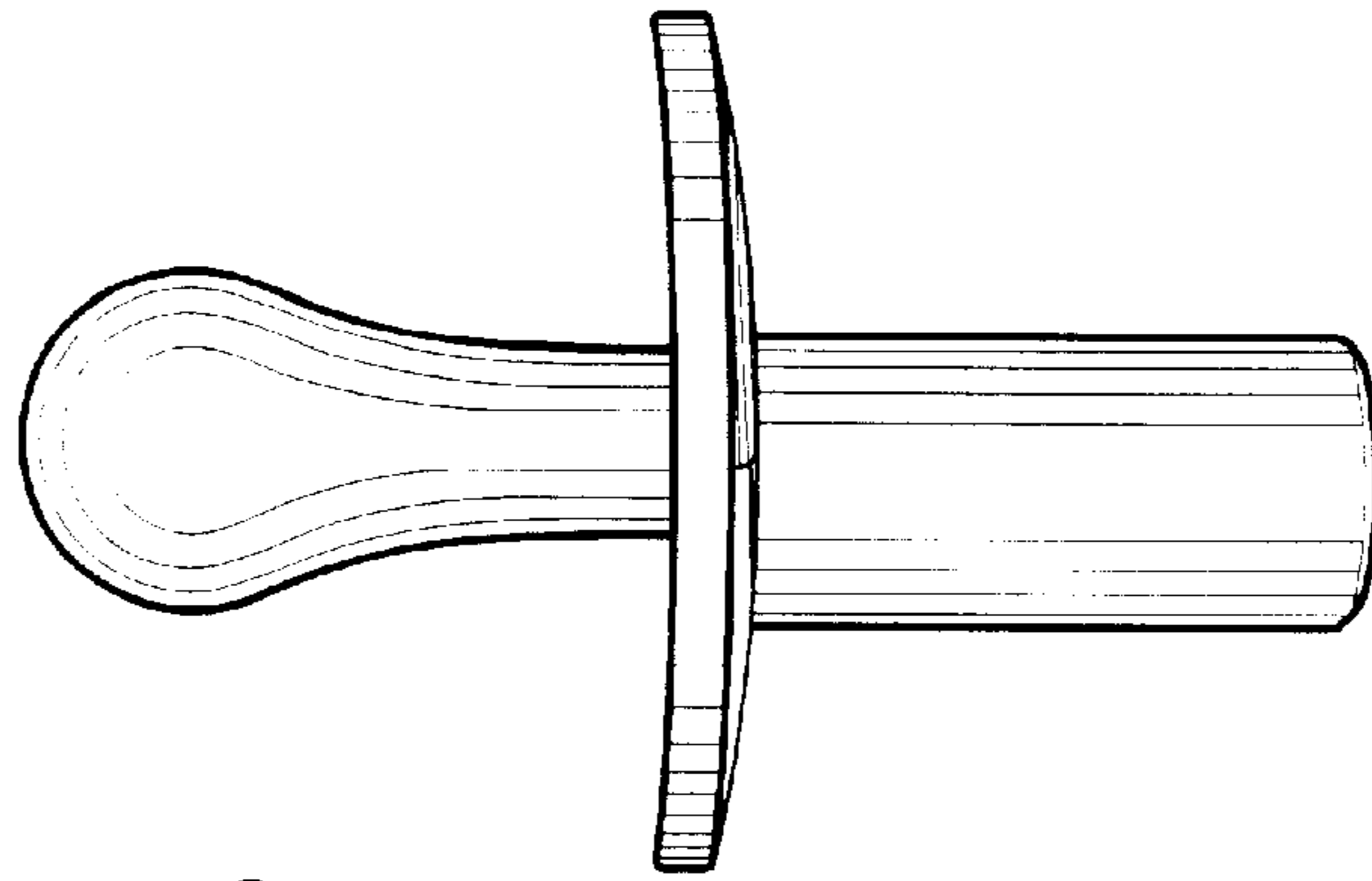


FIG. 3

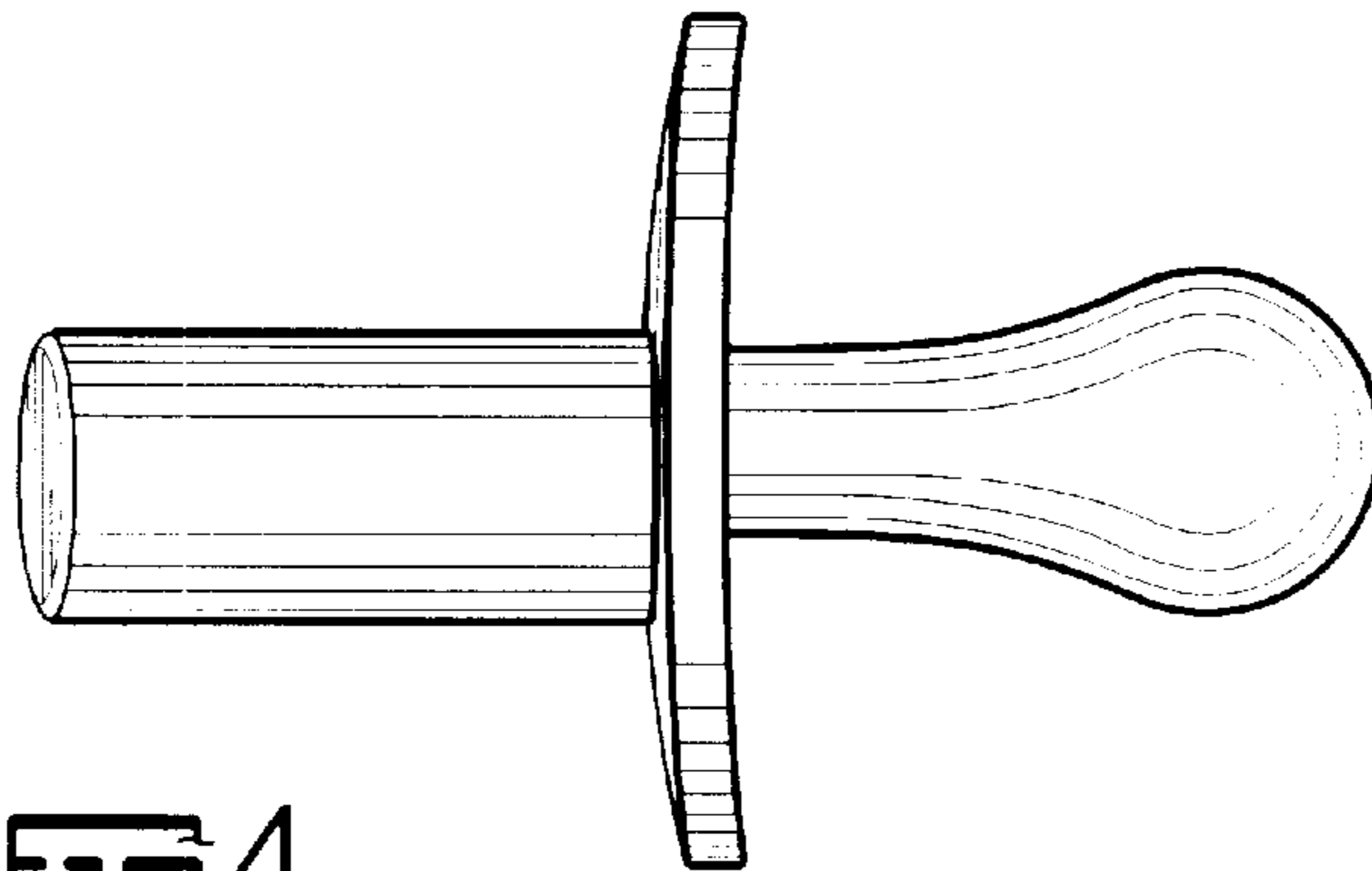


FIG. 4

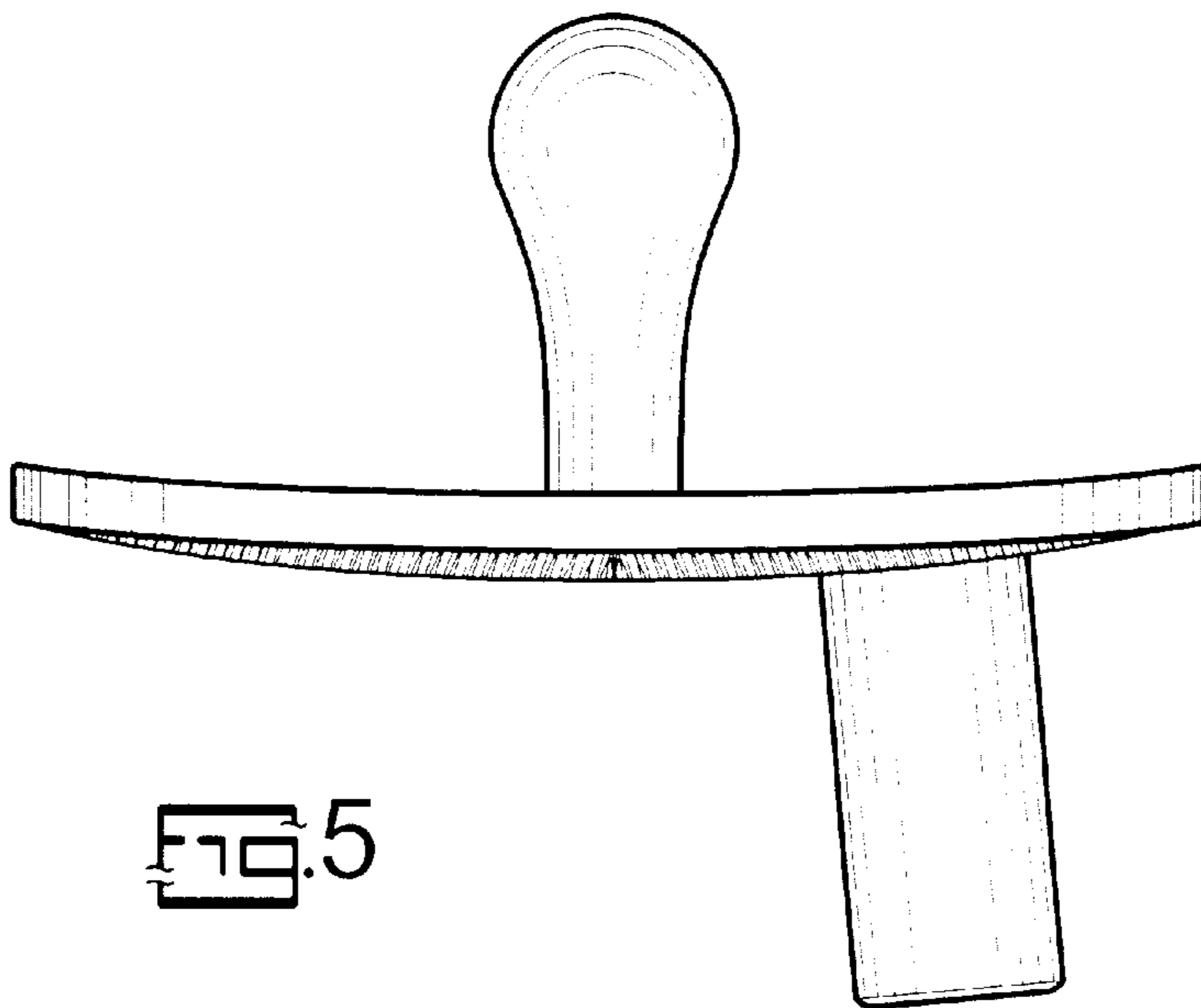


FIG. 5

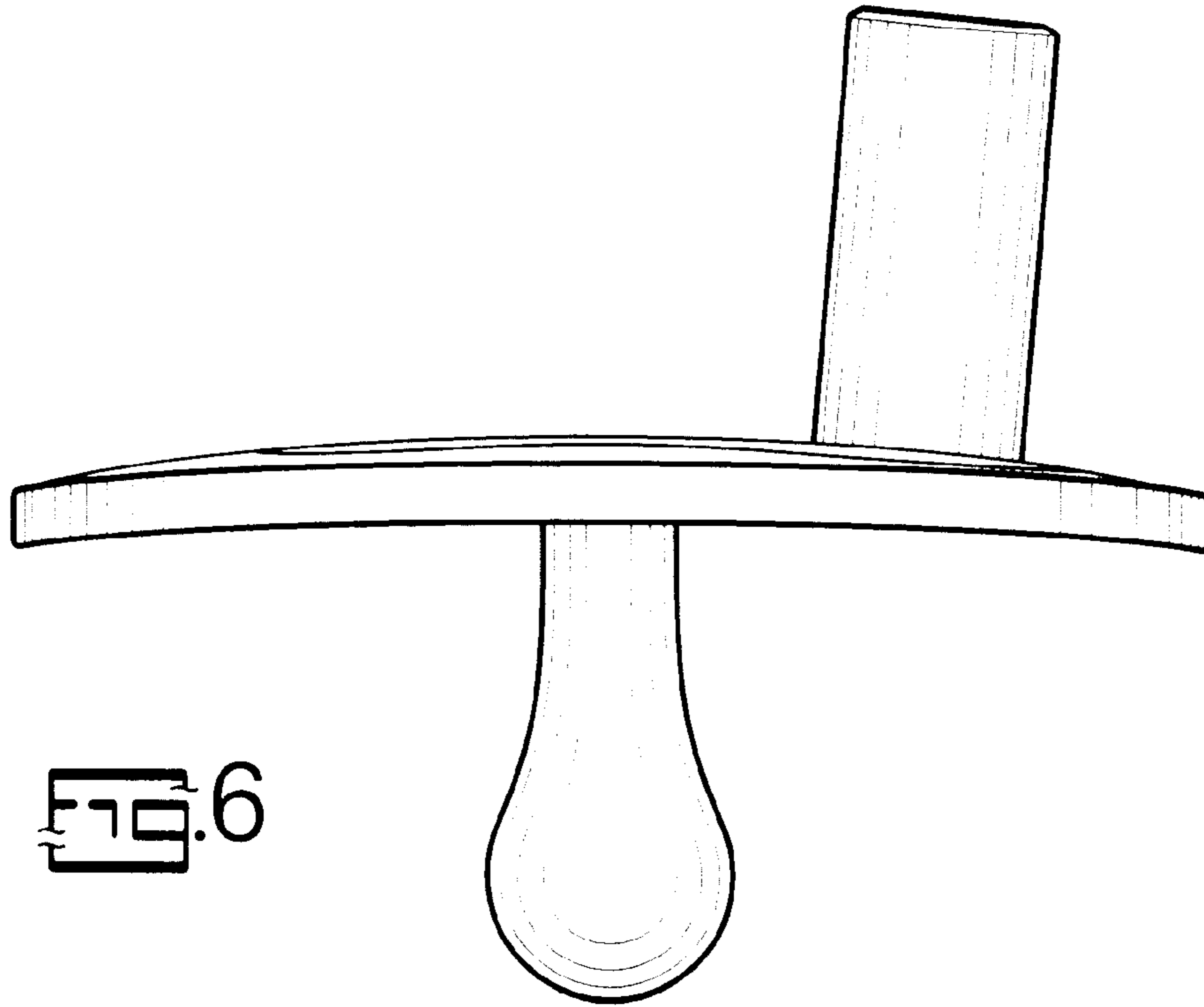


FIG. 7

